



US00D842247S

(12) **United States Design Patent** (10) **Patent No.:** **US D842,247 S**
Gillem (45) **Date of Patent:** **** *Mar. 5, 2019**

(54) **WIND JAMMER**

(56) **References Cited**

(71) Applicant: **Vernon A. Gillem**, Hazlehurst, GA (US)
(72) Inventor: **Vernon A. Gillem**, Hazlehurst, GA (US)
(*) Notice: This patent is subject to a terminal disclaimer.
(**) Term: **15 Years**
(21) Appl. No.: **29/555,138**
(22) Filed: **Feb. 18, 2016**
(51) **LOC (11) Cl.** **13-01**
(52) **U.S. Cl.**
USPC **D13/115**
(58) **Field of Classification Search**
USPC D13/115, 101, 118, 199; D15/1, 199; 290/43, 44; 415/4.1, 4.3, 4.5, 56.3, 415/122.1; 416/9, 12, 23, 24, 32, 37, 38, 416/44, 115, 117, 132 B, 132 R, 142, 416/169, 196 A, 197 A, 223 R, 229 A, 416/229 R, 243
CPC F03D 11/00; F03D 11/04; F03D 11/045; F03D 7/00; F03D 7/046; F03D 7/0204; F03D 9/00; E04H 12/00; E04H 12/12; E04H 12/14; E04H 12/16
See application file for complete search history.

U.S. PATENT DOCUMENTS

4,247,253 A *	1/1981	Seki	F03D 3/065
			416/119
D267,951 S *	2/1983	Smith	D15/1
4,520,273 A *	5/1985	Rowe	F03B 17/063
			290/52
D294,247 S *	2/1988	White	D13/115
D511,323 S *	11/2005	Kato	D13/115
D587,196 S *	2/2009	Chong	D13/115
D598,376 S *	8/2009	Cheung	D13/115
D625,261 S *	10/2010	Winkler	D13/115
8,164,213 B2 *	4/2012	Mahaffy	F03D 3/005
			290/44
D716,228 S *	10/2014	McCamley	D13/115
2008/0131281 A1 *	6/2008	Kariya	F03D 3/0409
			416/183
2009/0223139 A1 *	9/2009	Meiners	F03D 1/001
			52/40

* cited by examiner

Primary Examiner — Derrick Holland

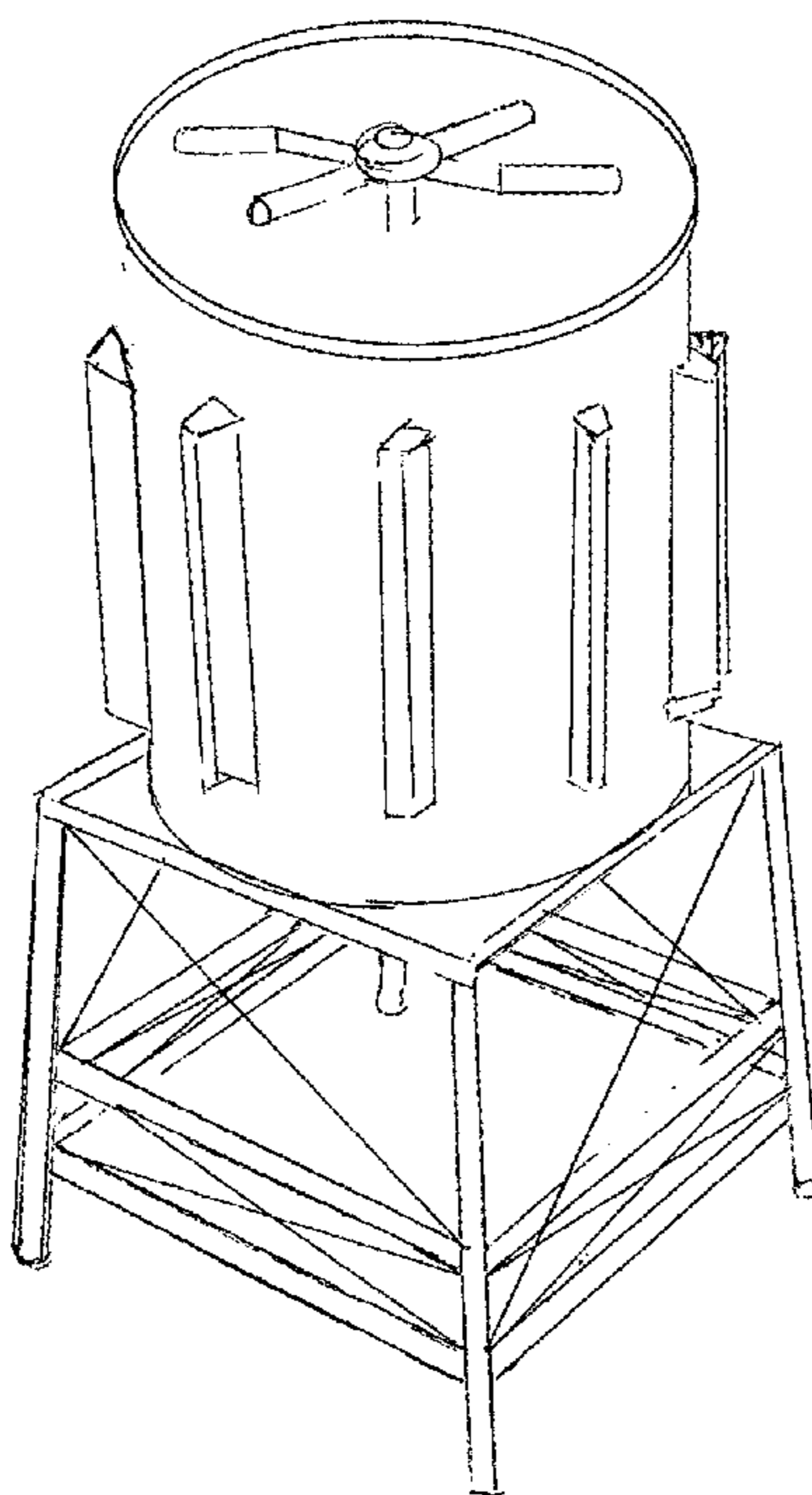
(57) **CLAIM**

The ornamental design for a wind jammer, as shown and described.

DESCRIPTION

FIG. 1 is a perspective view of a wind jammer showing my new design;
FIG. 2 is a top plan view thereof; and,
FIG. 3 is a bottom plan view thereof.

1 Claim, 2 Drawing Sheets



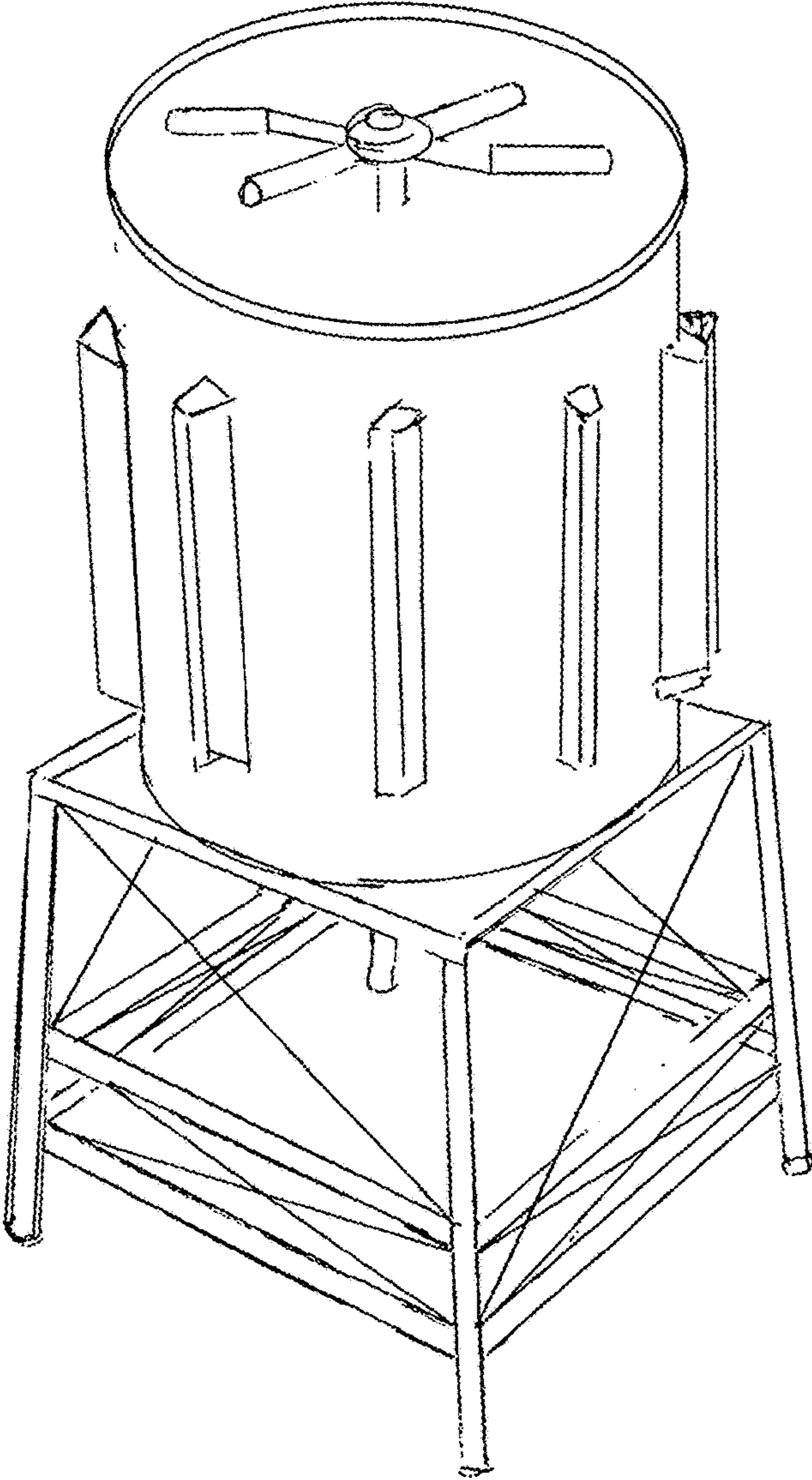


FIGURE 1

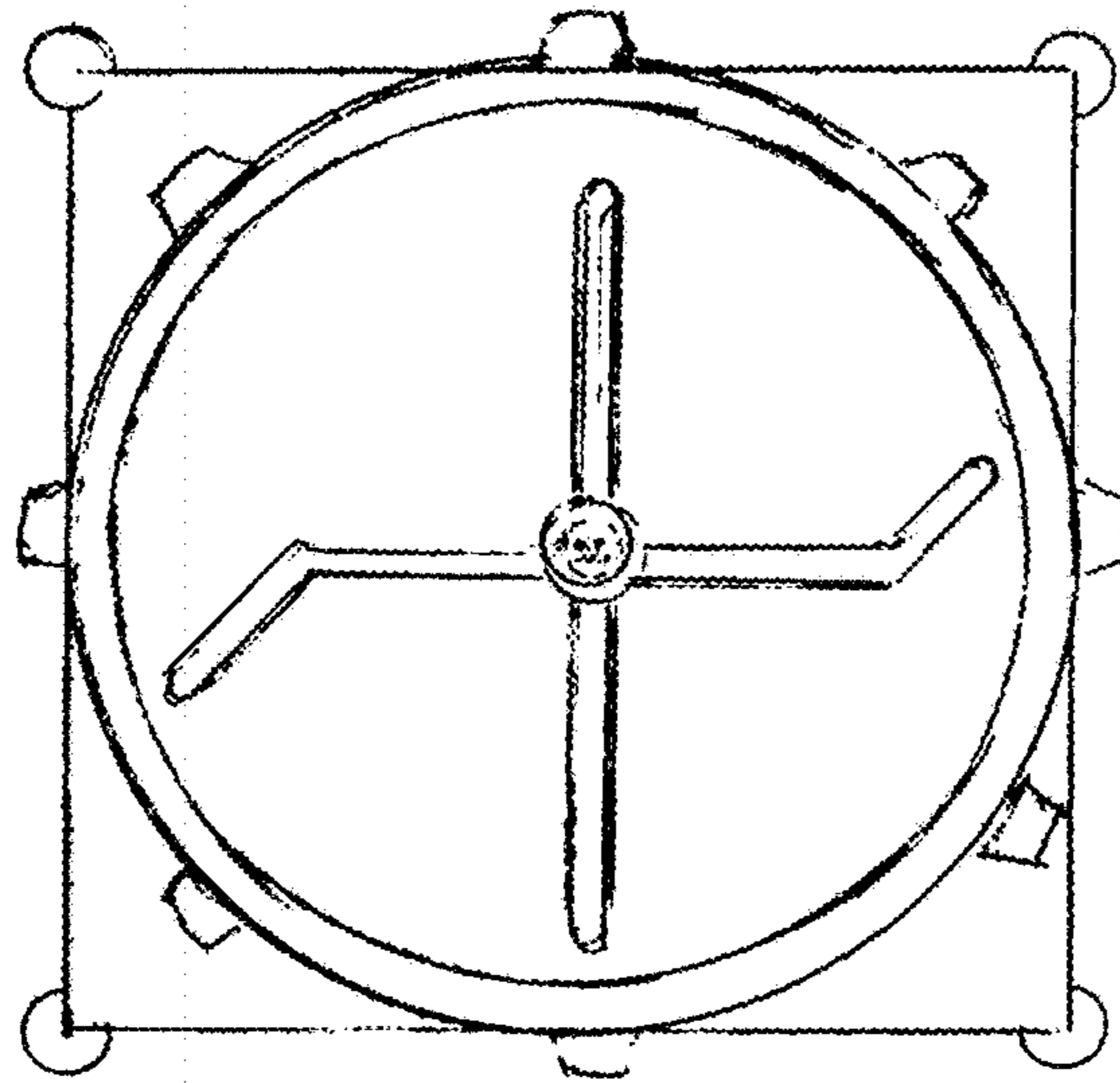


FIG. 2

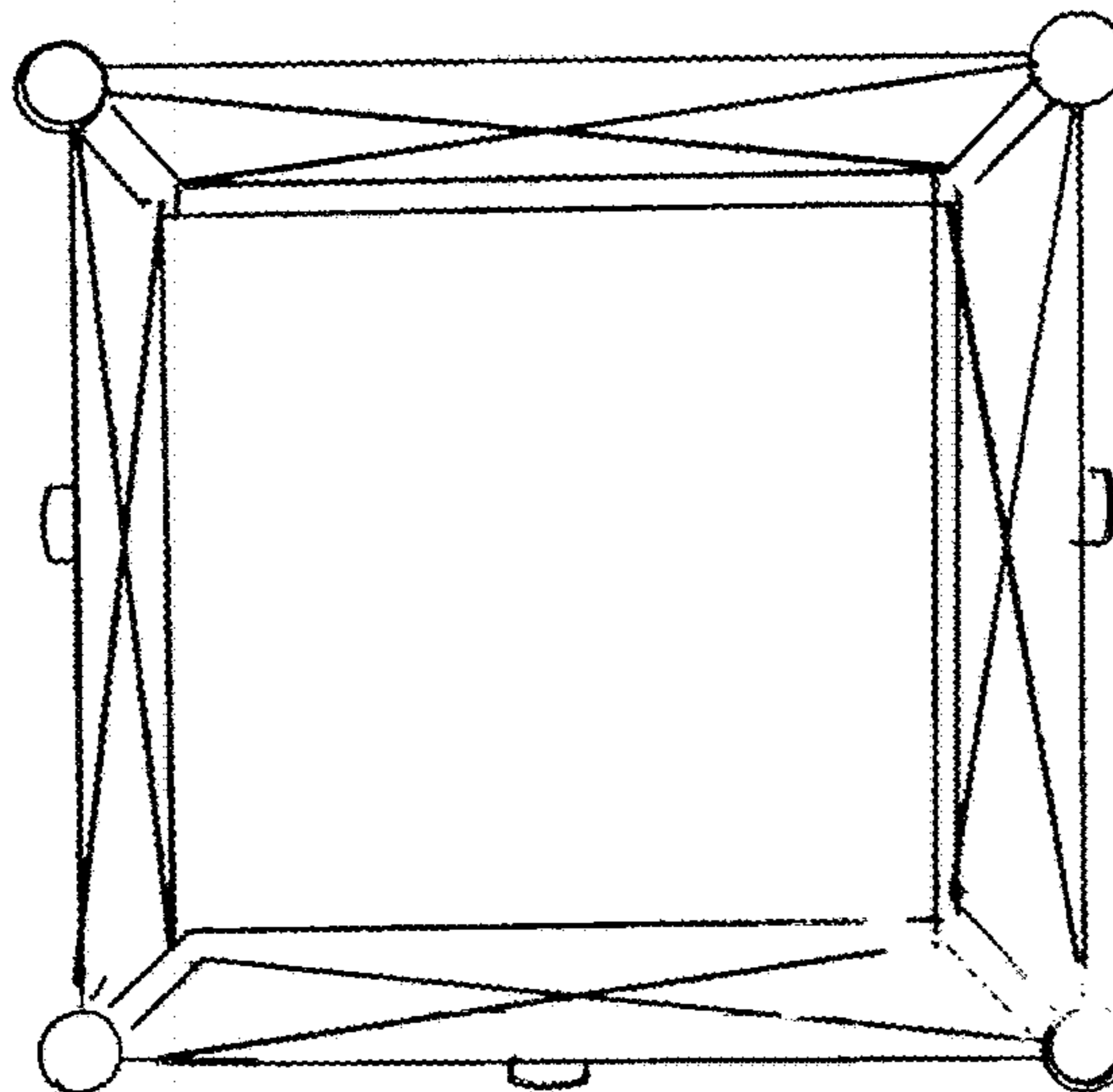


FIG. 3