



US00D842246S

(12) **United States Design Patent**  
**Gan**

(10) **Patent No.:** **US D842,246 S**

(45) **Date of Patent:** **\*\* Mar. 5, 2019**

(54) **MOTOR FOR AN UNMANNED AERIAL VEHICLE**

D505,720 S *	5/2005	Hsieh	.....	D23/411
D610,088 S *	2/2010	Becker	.....	D13/114
2007/0086905 A1 *	4/2007	Nagata	.....	F02M 37/048
				417/423.3
2017/0133902 A1 *	5/2017	Jang	.....	H02K 3/28
2018/0048219 A1 *	2/2018	Im	.....	H02K 5/163

(71) Applicant: **NINGBO PELICAN DRONE CO., LTD.**, Ningbo (CN)

(72) Inventor: **Tao Gan**, Melbourne (AU)

(73) Assignee: **NINGBO PELICAN DRONE CO., LTD.**, Ningbo (CN)

(\*\*) Term: **15 Years**

(21) Appl. No.: **29/610,236**

(22) Filed: **Jul. 11, 2017**

(30) **Foreign Application Priority Data**

Jun. 21, 2017 (CN) ..... 2017 3 0258380

(51) **LOC (11) Cl.** ..... **13-01**

(52) **U.S. Cl.**  
USPC ..... **D13/112**

(58) **Field of Classification Search**  
USPC ..... D13/112, 113, 114, 122, 184, 199;  
D15/5  
CPC ..... H02K 5/06; H02K 5/225; H02K 11/33;  
H02K 9/14; H02K 7/1025; H02K  
7/20918; H02K 5/00; H02K 5/02; H02K  
5/04; H02K 5/08  
See application file for complete search history.

(56) **References Cited**

**U.S. PATENT DOCUMENTS**

D401,553 S *	11/1998	Pearce	.....	D13/112
D401,687 S *	11/1998	Pearce	.....	D23/411

\* cited by examiner

*Primary Examiner* — T Chase Nelson

*Assistant Examiner* — Ania Aman

(74) *Attorney, Agent, or Firm* — W&K IP (Wayne & King)

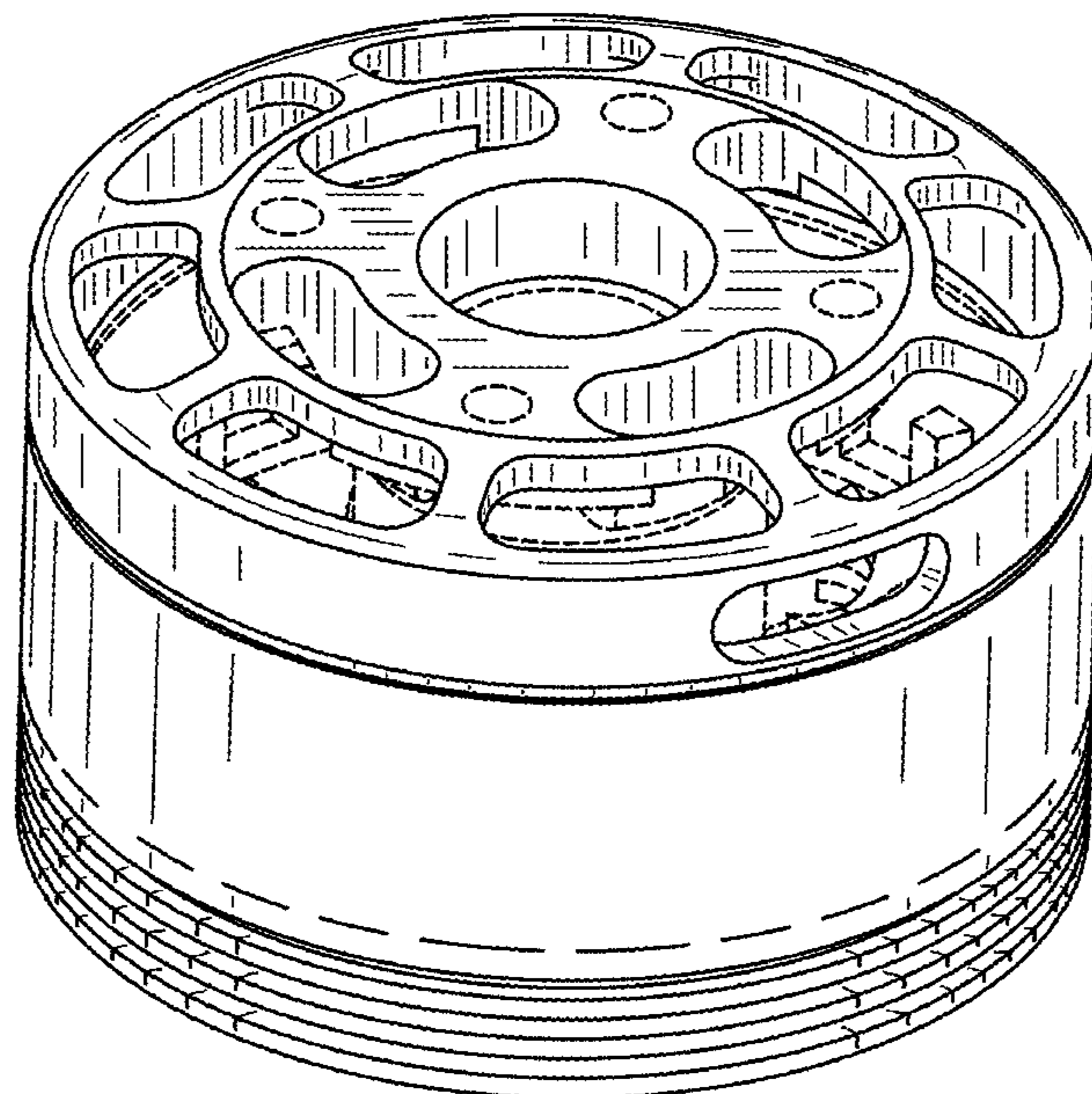
(57) **CLAIM**

The ornamental design for motor for an unmanned aerial vehicle, as shown and described.

**DESCRIPTION**

FIG. 1 is a perspective view showing my design;  
FIG. 2 is another perspective view showing my design;  
FIG. 3 is a front view showing my design;  
FIG. 4 is a rear view showing my design;  
FIG. 5 is a left side view showing my design;  
FIG. 6 is a right side view showing my design;  
FIG. 7 is a top plan view showing my design; and,  
FIG. 8 is a bottom plan view showing my design.  
The dashed or broken lines shown in the drawings depict portions of the sonar in which the design is embodied that form no part of the claimed design.

**1 Claim, 8 Drawing Sheets**



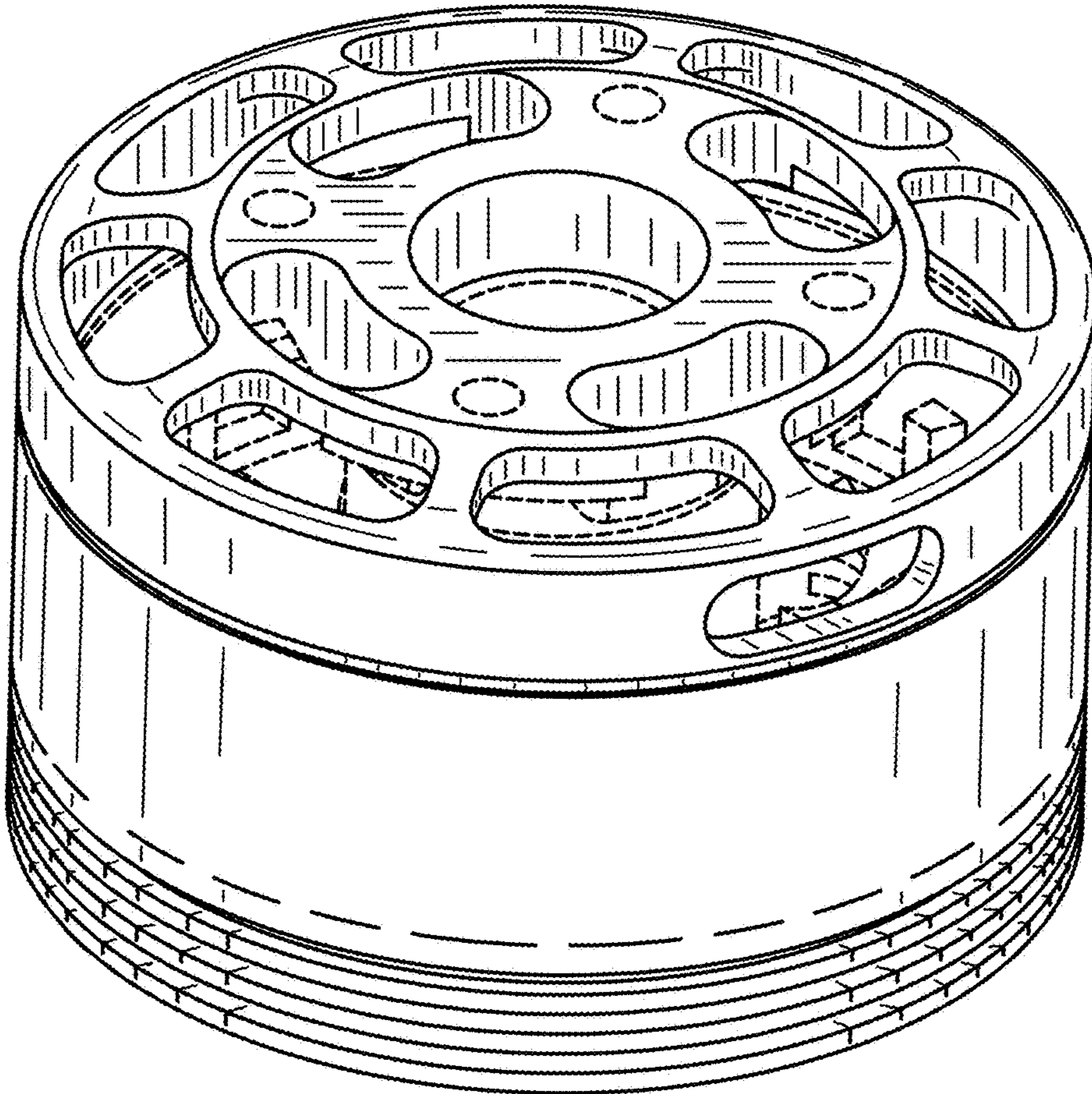


FIG.1

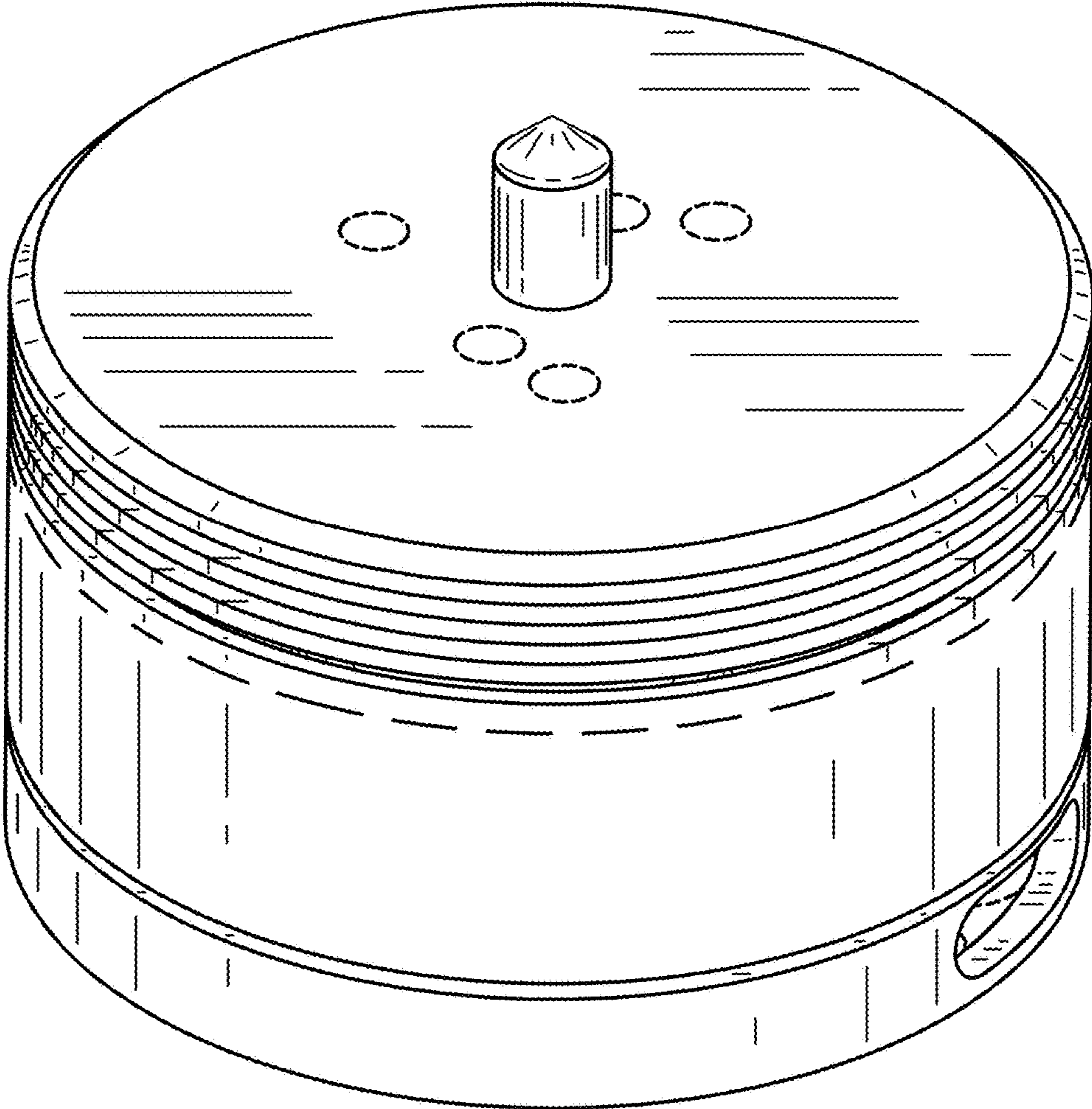


FIG.2

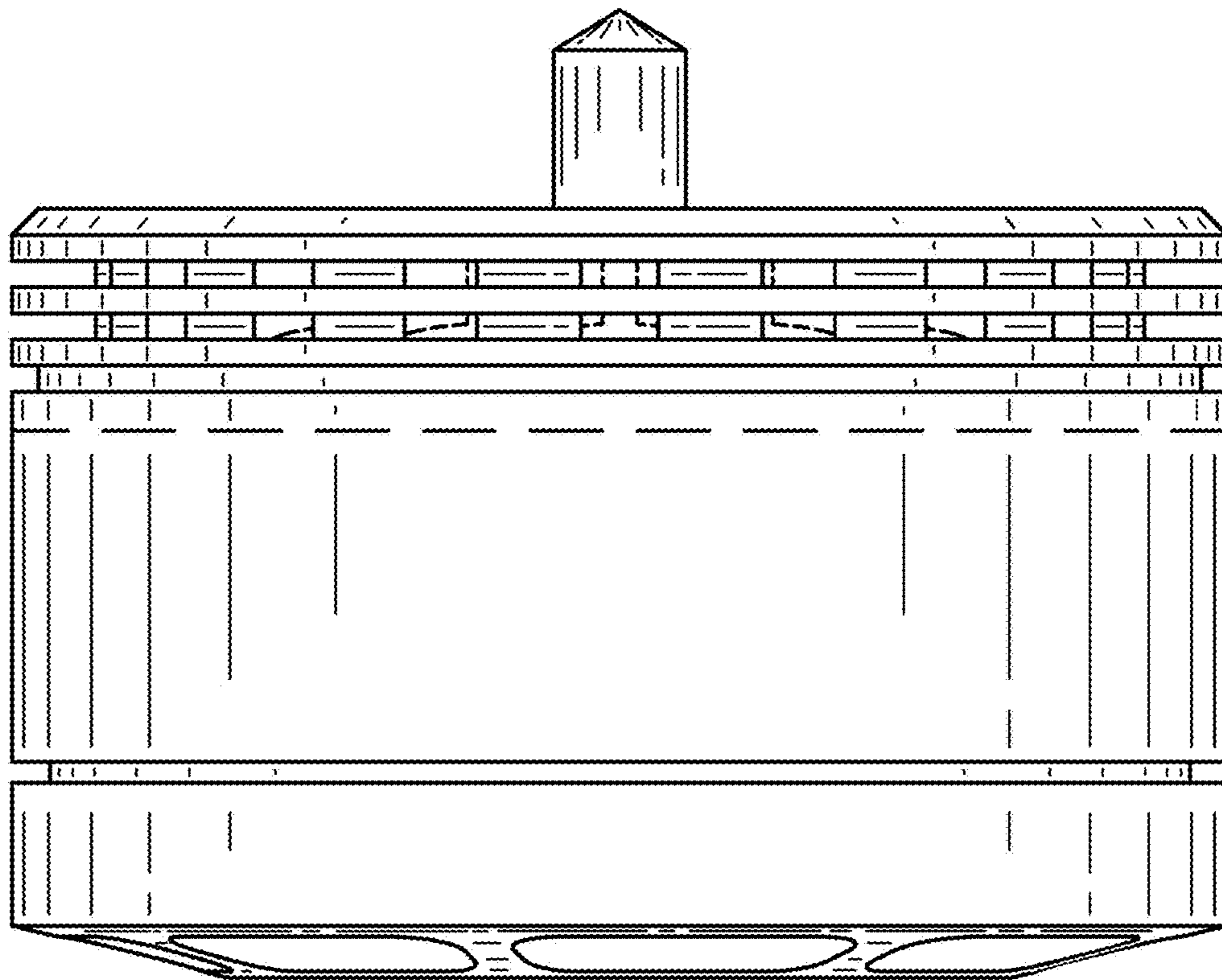


FIG.3

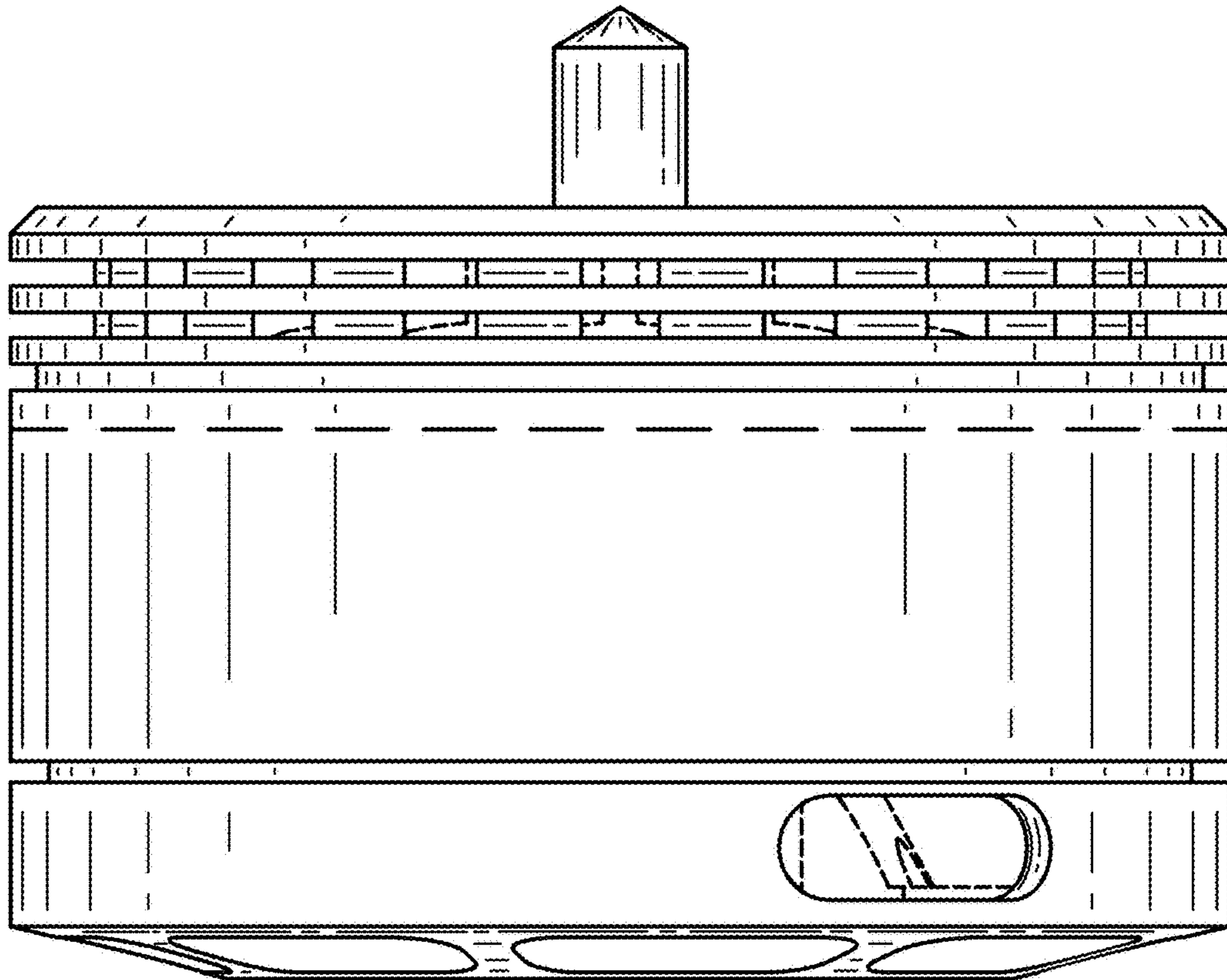


FIG.4

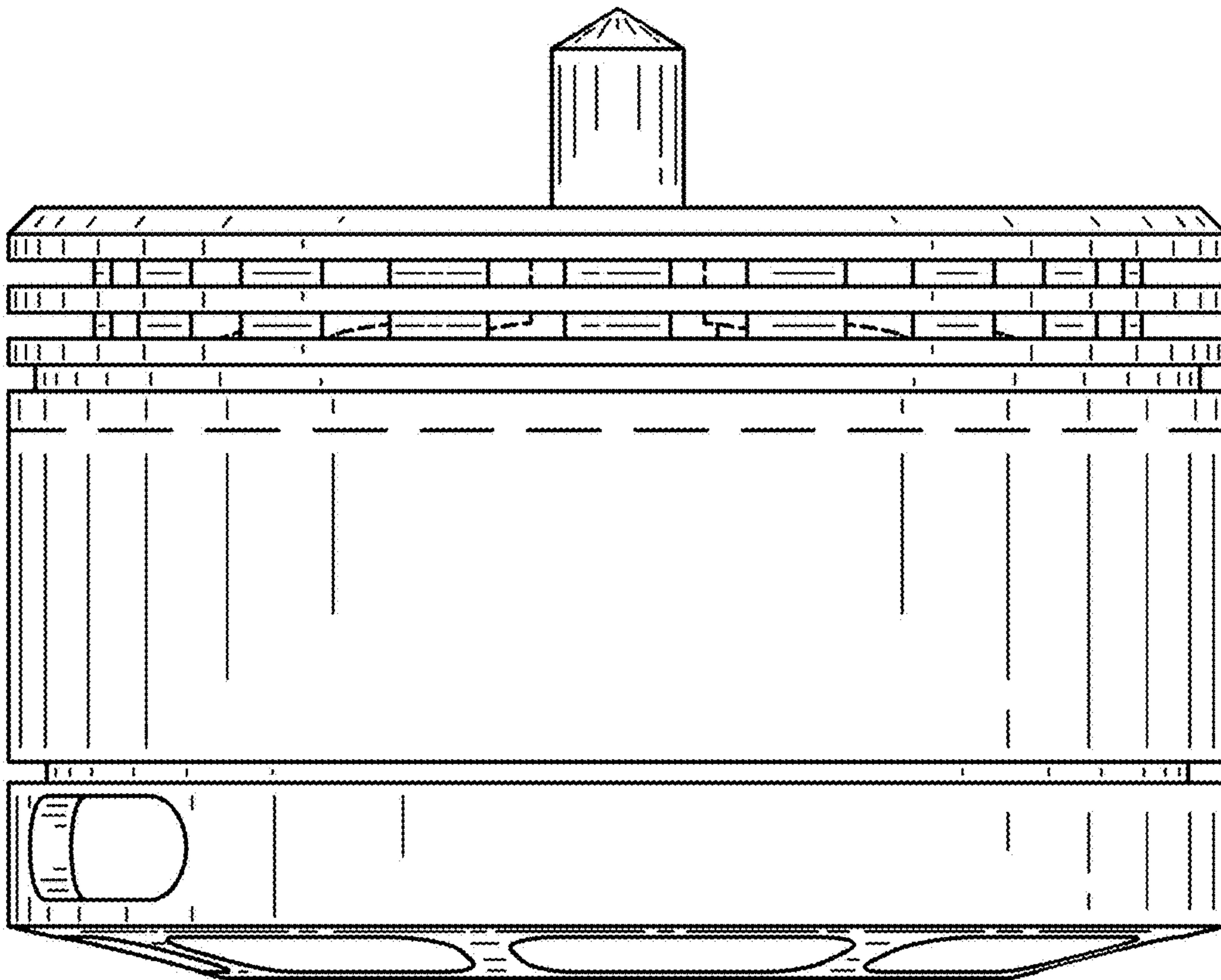


FIG.5

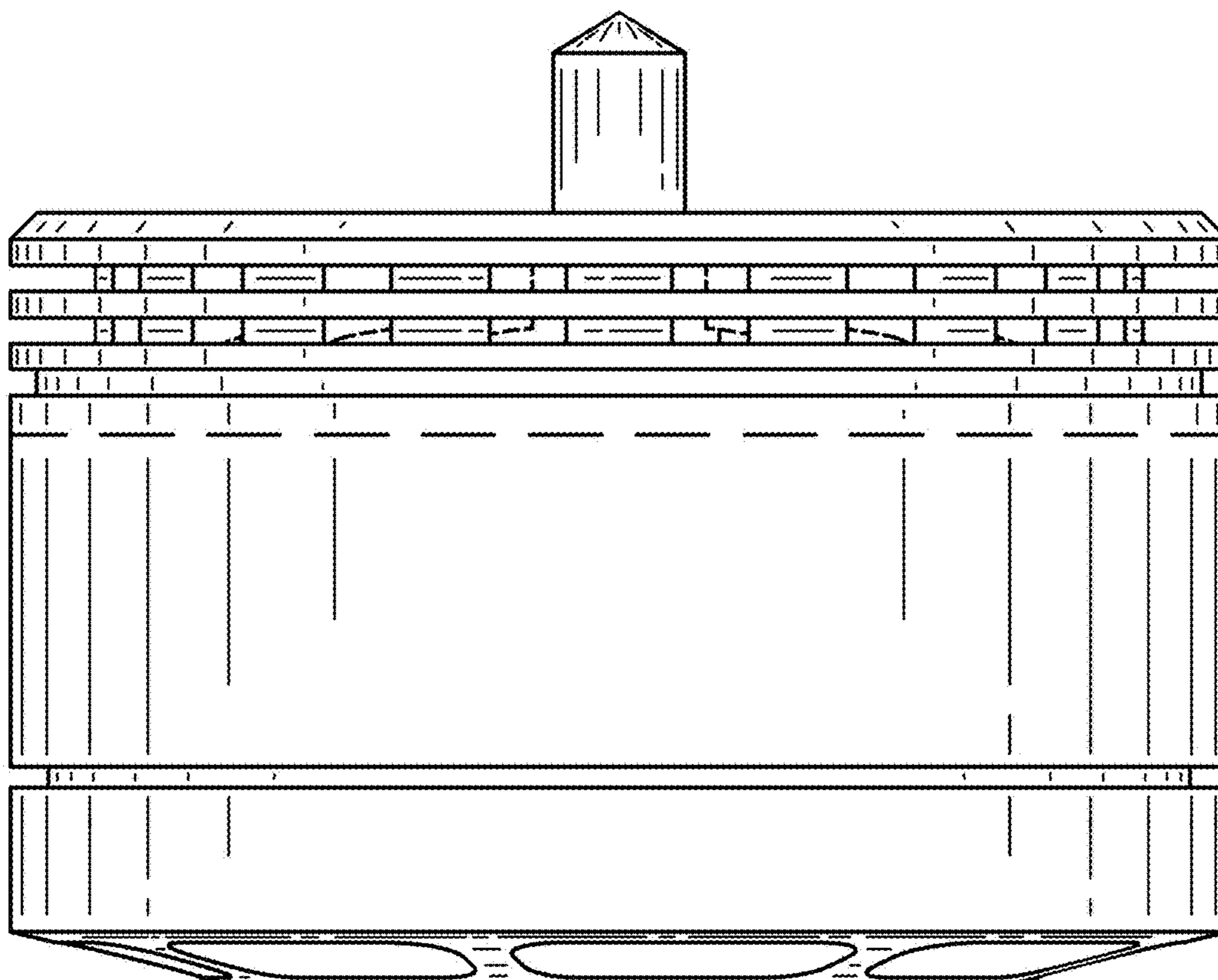


FIG.6

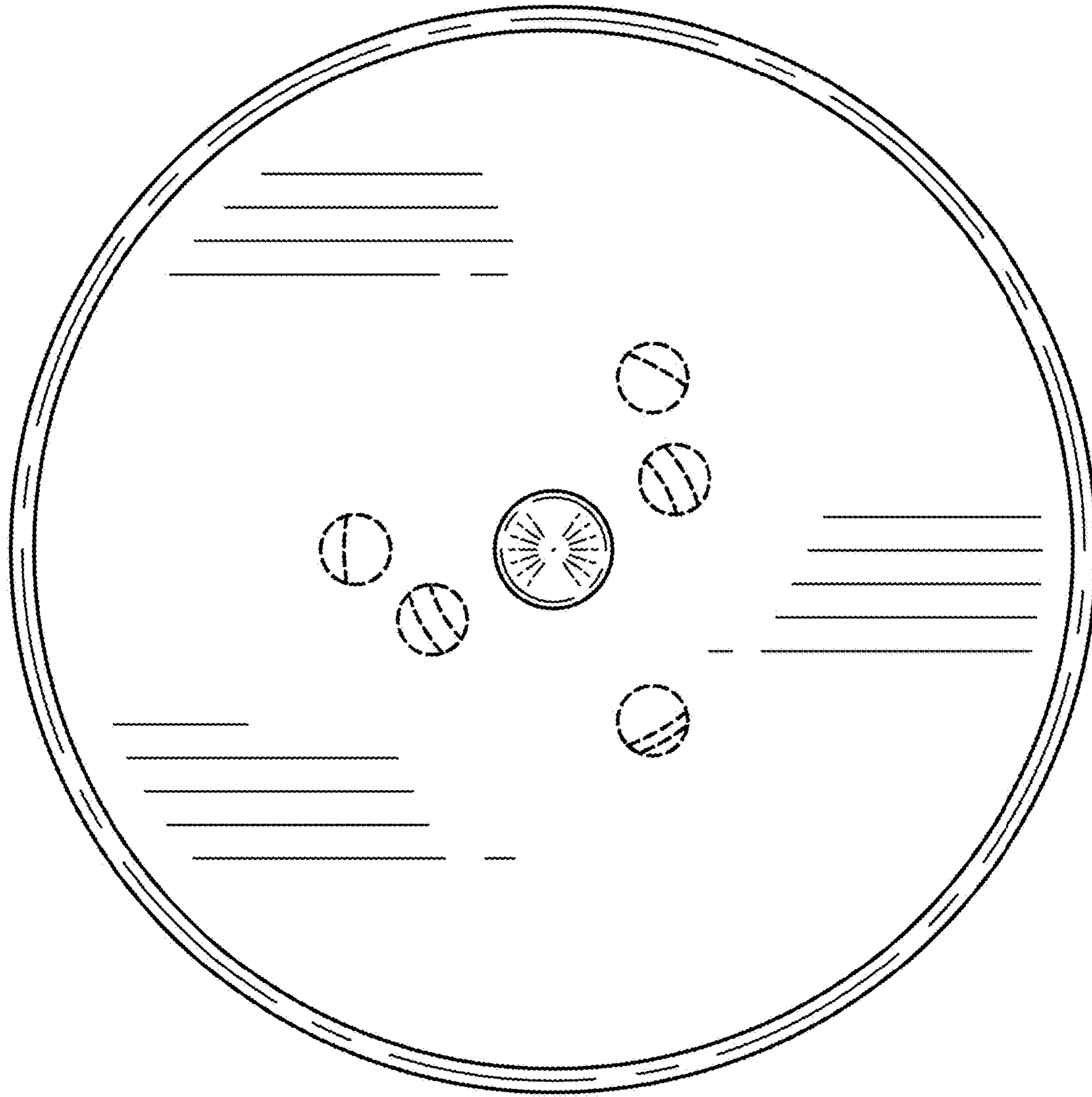


FIG.7



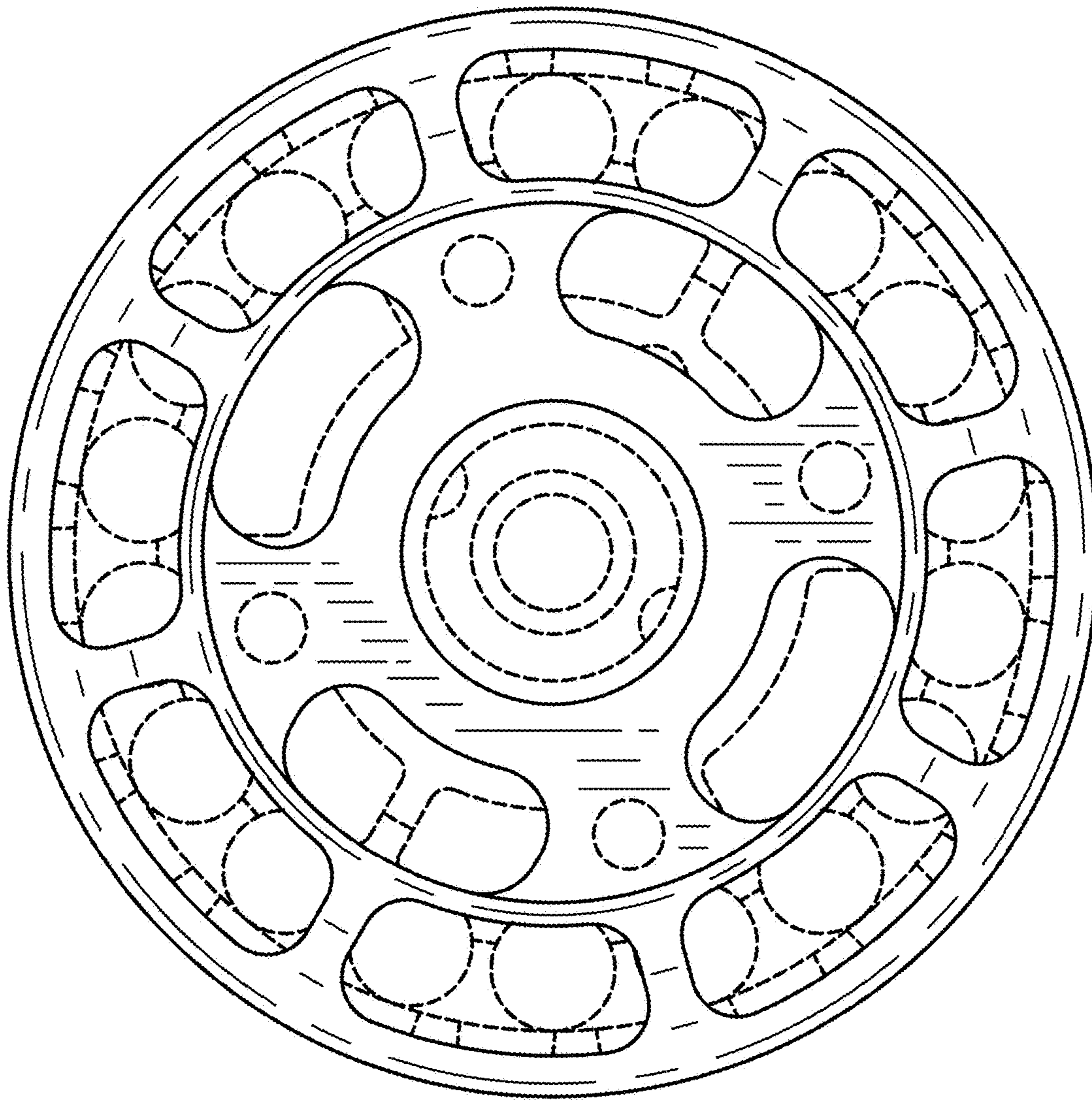


FIG.8