



US00D842245S

(12) **United States Design Patent** Spiegel (10) **Patent No.:** **US D842,245 S**  
(45) **Date of Patent:** **\*\* Mar. 5, 2019**

(54) **CASING FOR ELECTRICAL DEVICES**

(71) Applicant: **Tridonic GmbH & Co KG**, Dornbirn (AT)

(72) Inventor: **Erich Spiegel**, Dornbirn (AT)

(73) Assignee: **TRIDONIC GMBH & CO KG**, Dornbirn (AT)

(\*\*) Term: **15 Years**

(21) Appl. No.: **29/546,785**

(22) Filed: **Nov. 25, 2015**

**Related U.S. Application Data**

(62) Division of application No. 29/468,218, filed on Sep. 27, 2013, now Pat. No. Des. 764,408.

(30) **Foreign Application Priority Data**

Mar. 28, 2013 (EP) ..... 002211458-0001  
Mar. 28, 2013 (EP) ..... 002211458-0002  
Mar. 28, 2013 (EP) ..... 002211458-0003  
Mar. 28, 2013 (EP) ..... 002211458-0004  
Mar. 28, 2013 (EP) ..... 002211458-0005  
Mar. 28, 2013 (EP) ..... 002211458-0006

(Continued)

(51) **LOC (11) Cl.** ..... **13-02**

(52) **U.S. Cl.**  
USPC ..... **D13/110; D26/138**

(58) **Field of Classification Search**  
USPC ..... D13/103, 104, 105, 106, 110, 118, 119,  
D13/184, 199; 429/96, 98, 99, 100, 163,  
429/176; 361/679.55, 679.56; D14/433,  
D14/434; D26/76, 138

CPC .. H01M 2/1022; H01M 2/204; H01M 2/0202;  
H01M 2/0434; H01M 2/0456;

(Continued)

(56) **References Cited**

U.S. PATENT DOCUMENTS

5,446,617 A \* 8/1995 Blocher ..... H02B 1/16  
174/51  
D377,339 S \* 1/1997 Beruscha ..... D10/75  
D380,199 S \* 6/1997 Beruscha ..... D10/75

(Continued)

*Primary Examiner* — Derrick E Holland

*Assistant Examiner* — Jennifer O King

(74) *Attorney, Agent, or Firm* — Seyfarth Shaw LLP;  
Brian Michaelis

(57) **CLAIM**

The ornamental design for a casing for electrical devices, as shown and described.

**DESCRIPTION**

FIG. 1 shows a front elevation view of a casing for electrical devices;

FIG. 2 shows a back elevation view thereof;

FIG. 3 shows a bottom plan view thereof;

FIG. 4 shows a top plan view thereof;

FIG. 5 shows a side elevation view thereof; and

FIG. 6 shows a perspective view thereof;

FIG. 7 shows a front elevation view of a second embodiment of a casing for electrical devices;

FIG. 8 shows a back elevation view thereof;

FIG. 9 shows a bottom plan view thereof;

FIG. 10 shows a top plan view thereof;

FIG. 11 shows a side elevation view thereof; and

FIG. 12 shows a perspective view thereof;

FIG. 13 shows a front elevation view of a third embodiment of a casing for electrical devices;

FIG. 14 shows a back elevation view of a thereof;

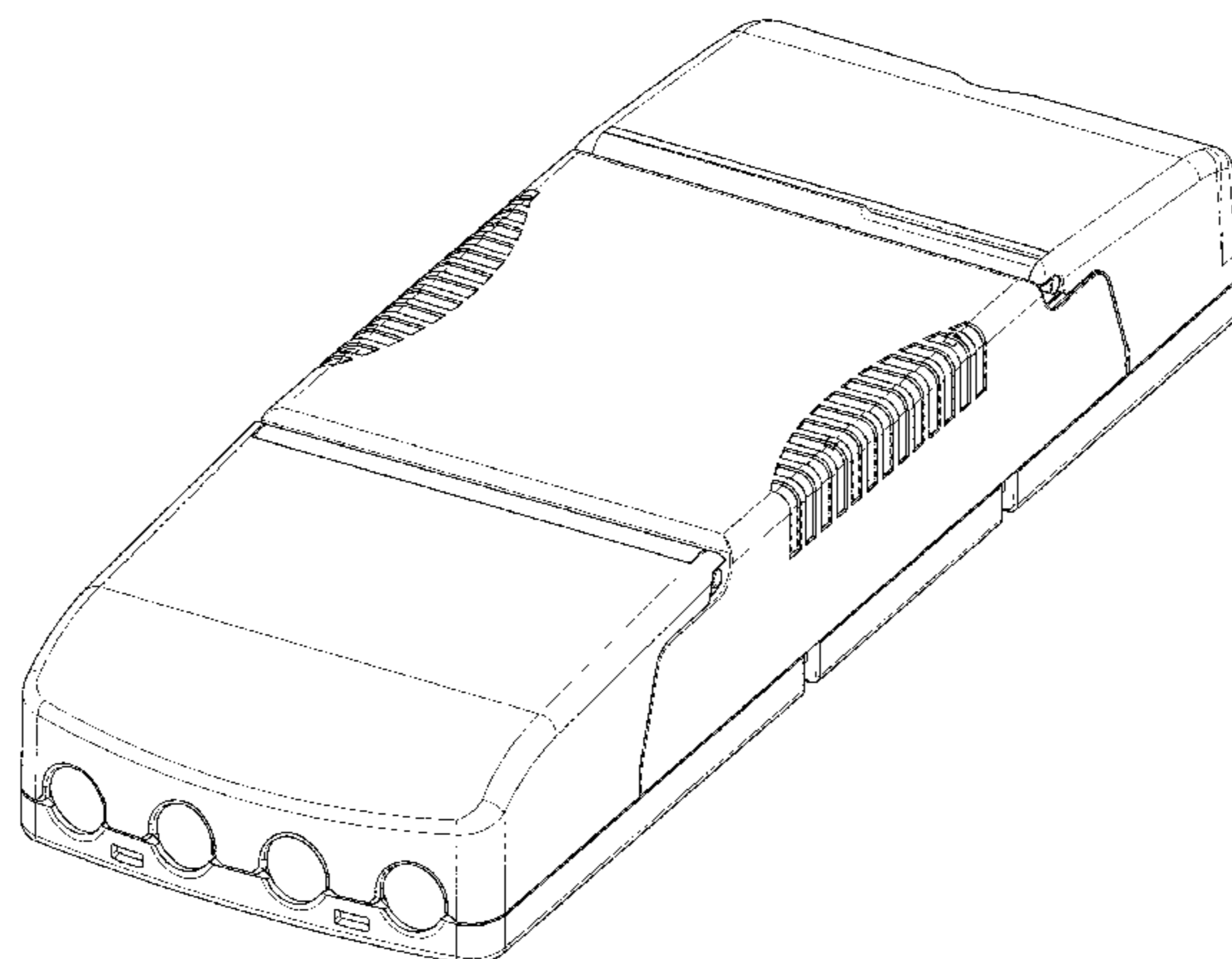
FIG. 15 shows a bottom plan view thereof;

FIG. 16 shows a top plan view of thereof;

FIG. 17 shows a side elevation view thereof; and

FIG. 18 shows a perspective view thereof.

(Continued)



Opposite side views not shown are merely mirror images of the side view shown for each embodiment.

**1 Claim, 18 Drawing Sheets**

(30) **Foreign Application Priority Data**

Mar. 28, 2013 (EP) ..... 002211458-0007  
Mar. 28, 2013 (EP) ..... 002211458-0008

(58) **Field of Classification Search**

CPC ..... H01M 2/1005; H01M 2/1055; H01M  
2/1066; H05K 5/0004; F21V 23/008  
See application file for complete search history.

(56) **References Cited**

U.S. PATENT DOCUMENTS

D483,329 S \* 12/2003 Kuo ..... D13/110

D499,074 S \* 11/2004 Cook ..... D13/179  
D503,678 S \* 4/2005 Ho ..... D13/110  
D505,915 S \* 6/2005 Hussaini ..... D13/110  
D548,181 S \* 8/2007 Krieger ..... D13/110  
7,269,001 B2 \* 9/2007 Huang ..... H05K 5/0004  
248/188.8  
D716,730 S \* 11/2014 Liu ..... D13/110  
D739,347 S \* 9/2015 Huang ..... D13/110  
D739,834 S \* 9/2015 Bush ..... D13/184  
D743,890 S \* 11/2015 Liu ..... D13/110  
D749,045 S \* 2/2016 Zhou ..... D13/110  
D764,408 S \* 8/2016 Spiegel ..... D13/110  
D766,824 S \* 9/2016 Li ..... D13/110  
D768,586 S \* 10/2016 Christianson ..... D10/106.1  
D786,475 S \* 5/2017 Hargreaves ..... D26/76  
D788,106 S \* 5/2017 Lin ..... D14/356  
D798,809 S \* 10/2017 Benn ..... D13/110  
D801,963 S \* 11/2017 Probst ..... D14/314

\* cited by examiner

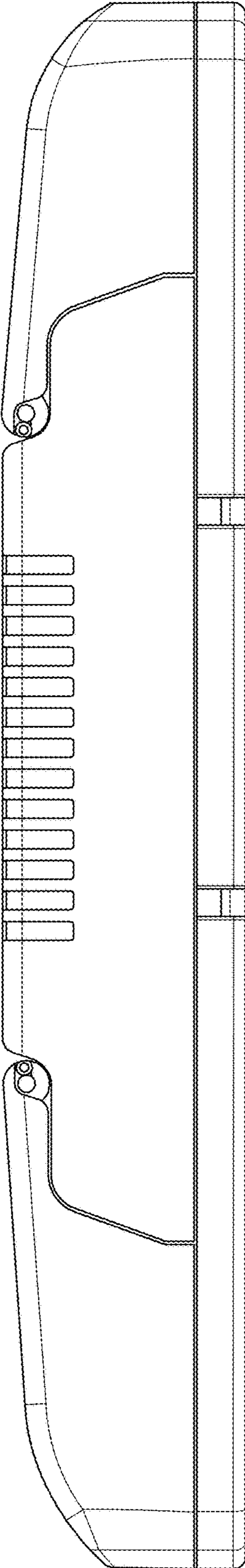


FIG. 1

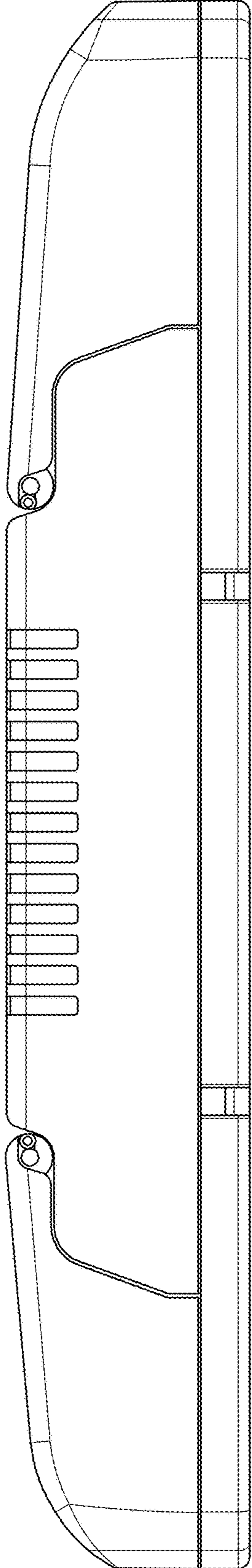


FIG. 2

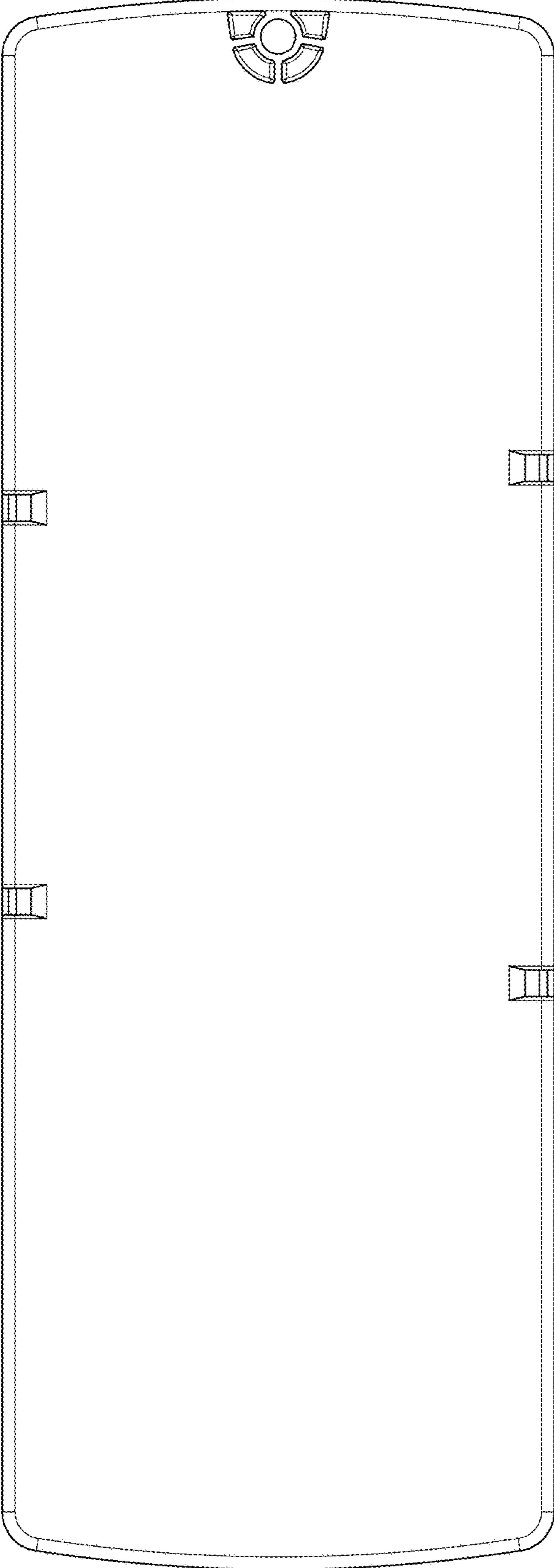


FIG. 3



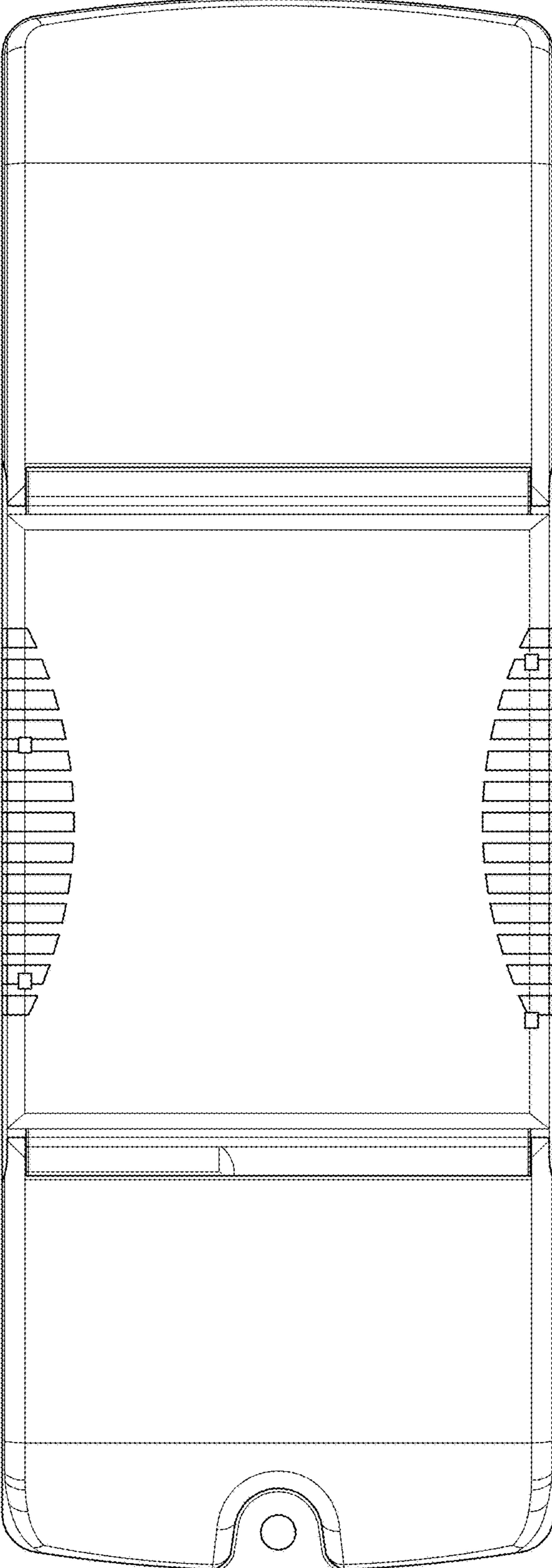


FIG. 4

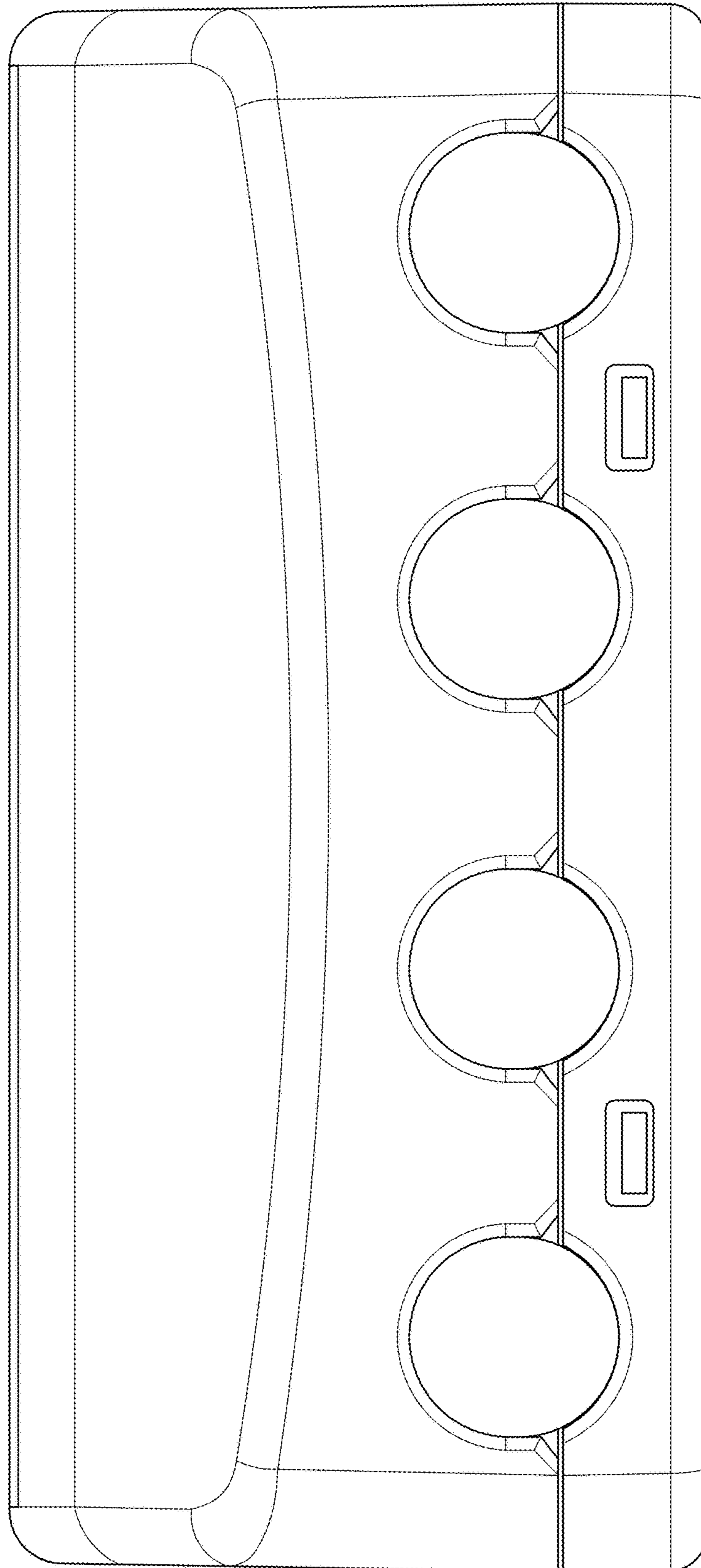


FIG. 5

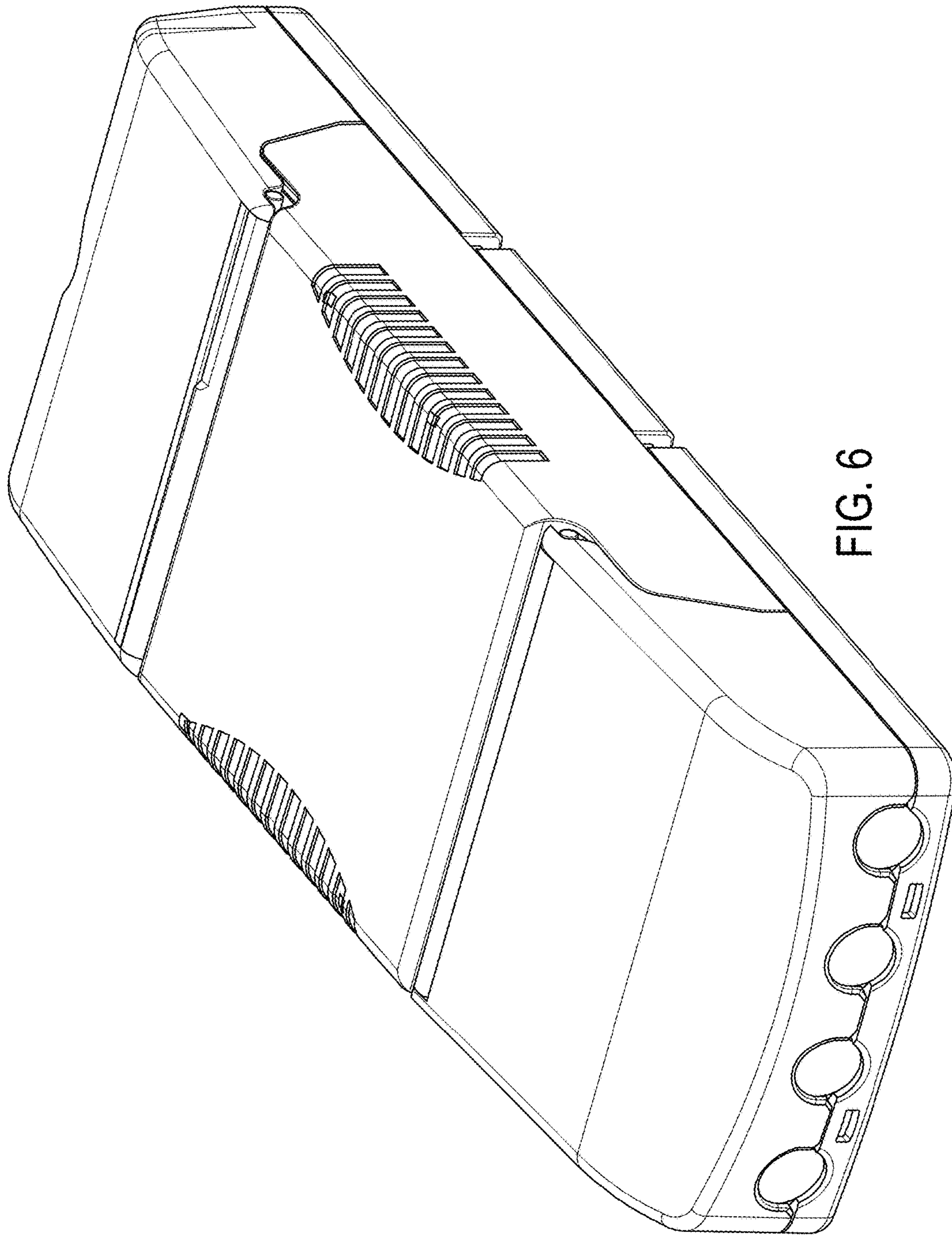


FIG. 6



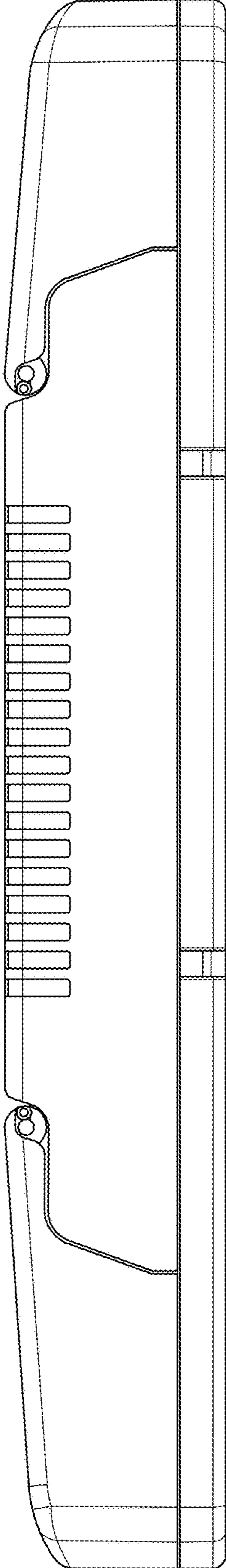


FIG. 7

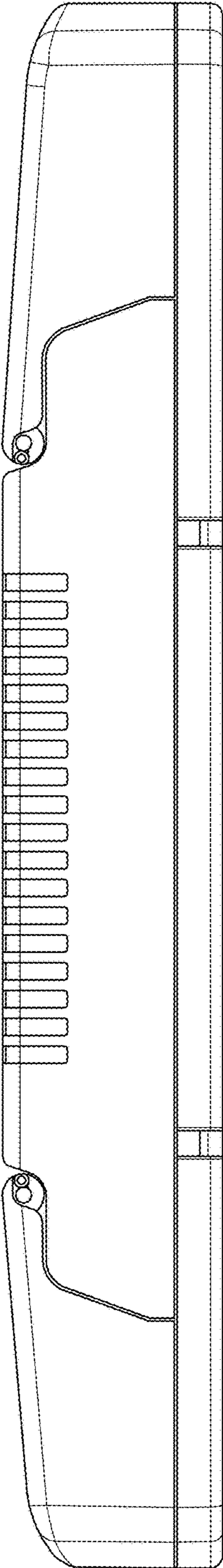


FIG. 8

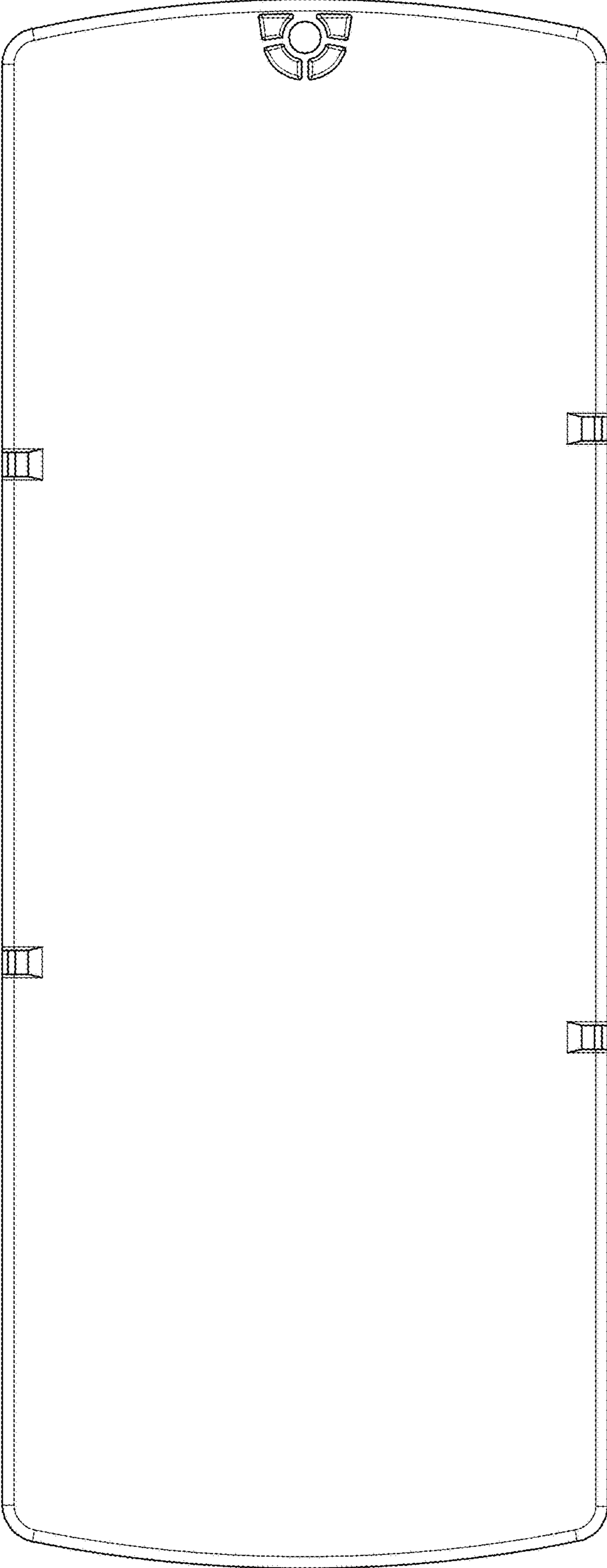


FIG. 9

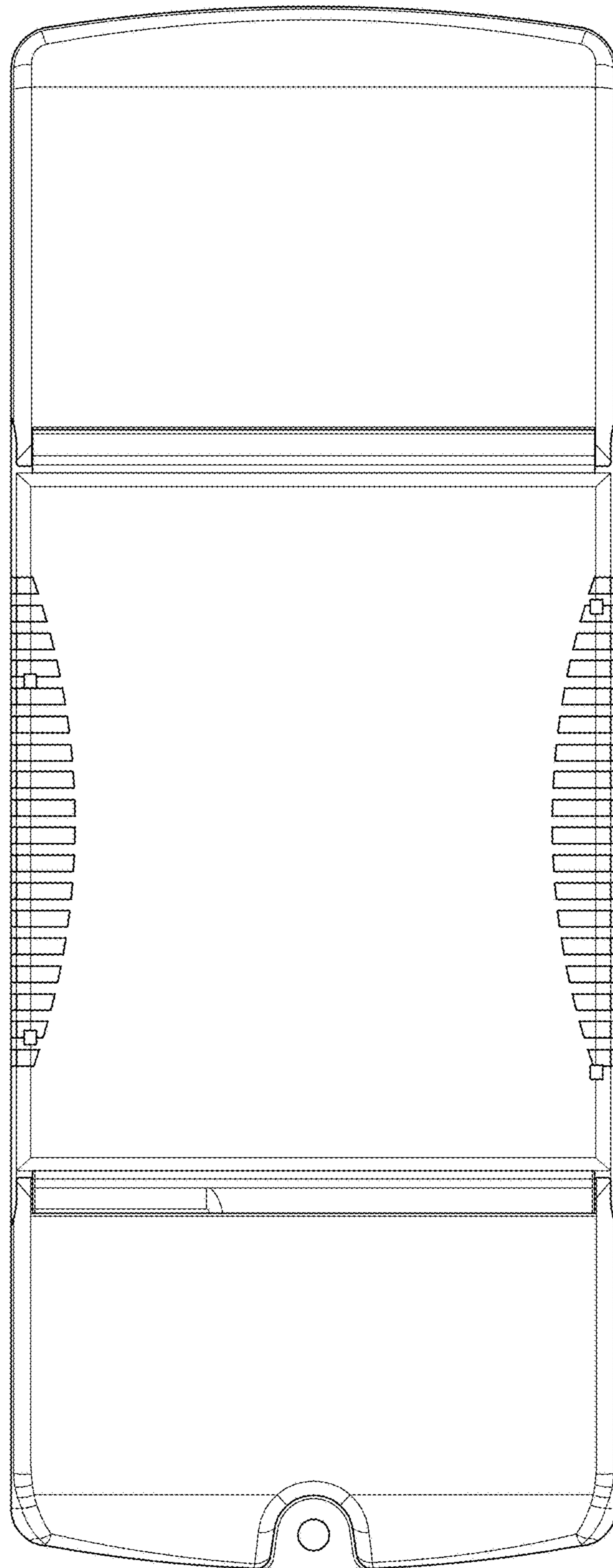


FIG. 10

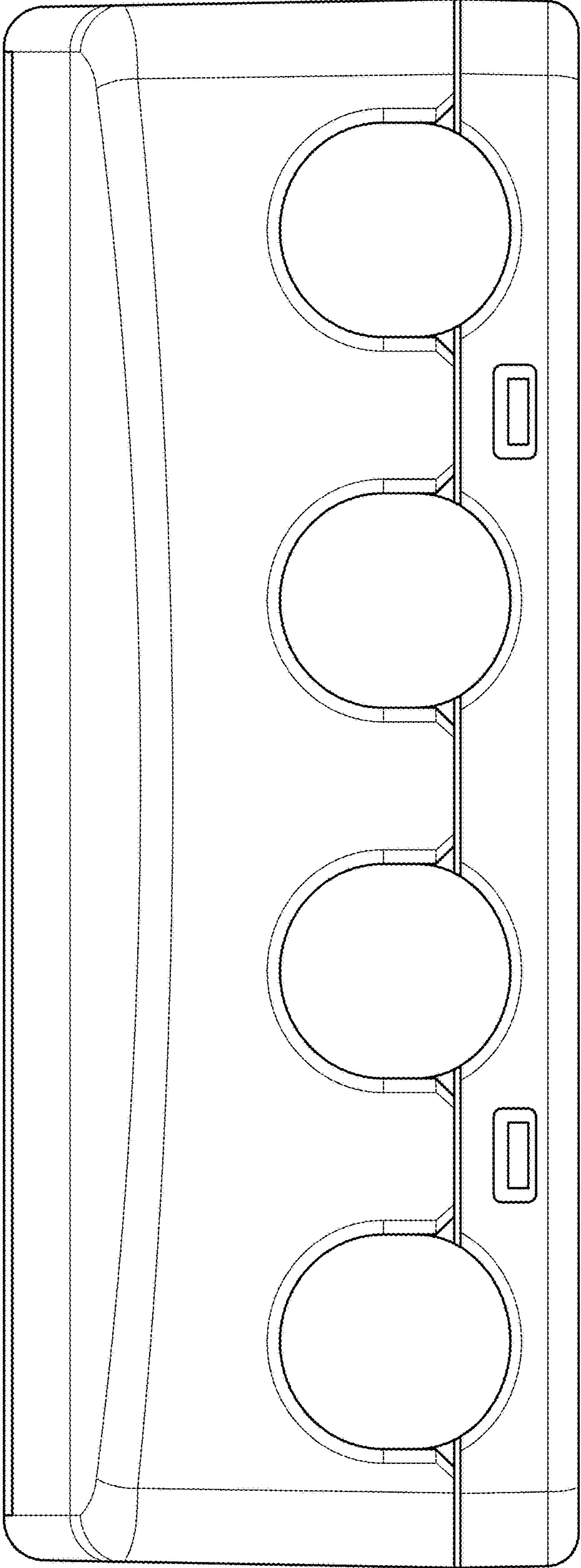


FIG. 11



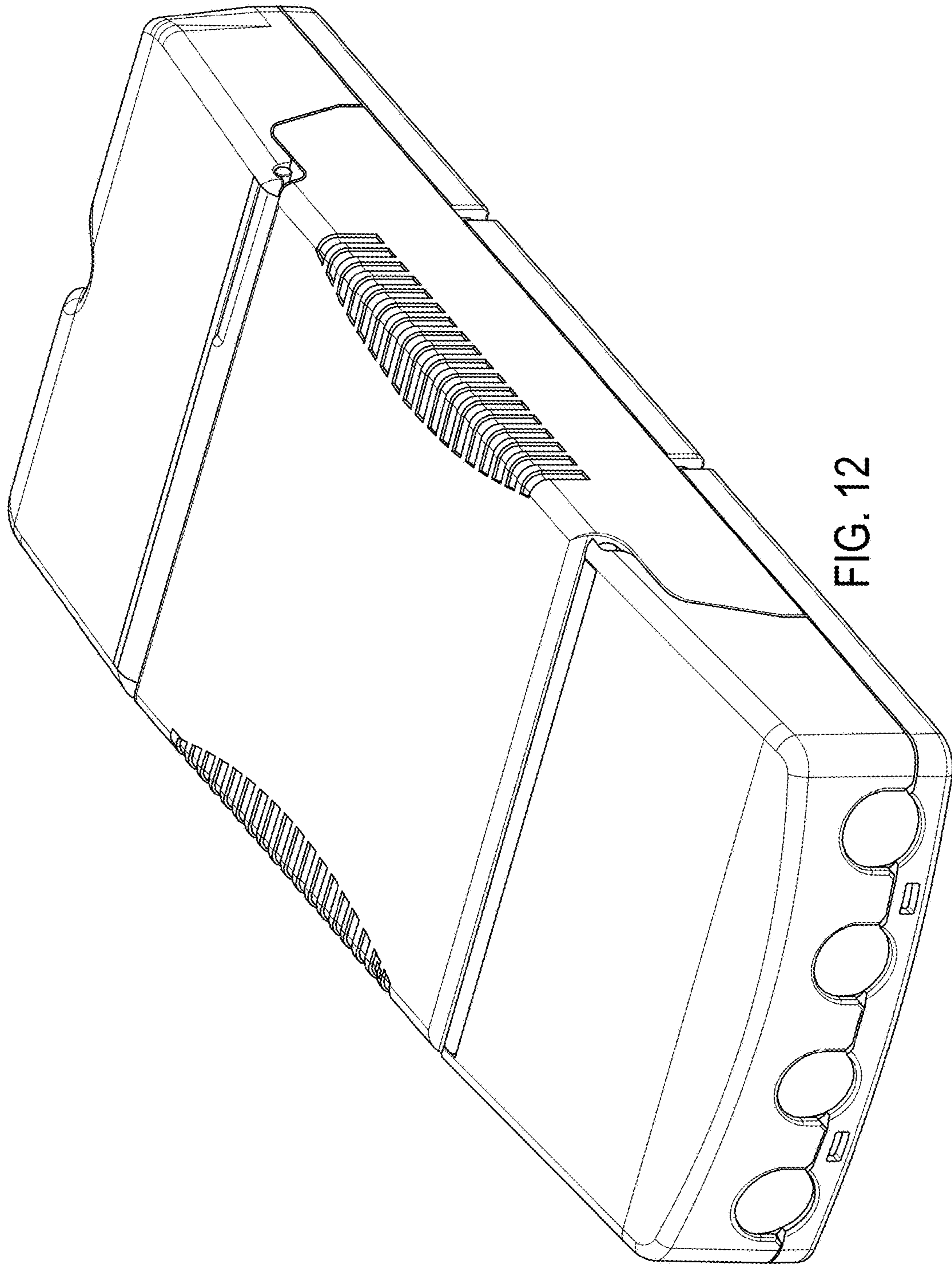


FIG. 12

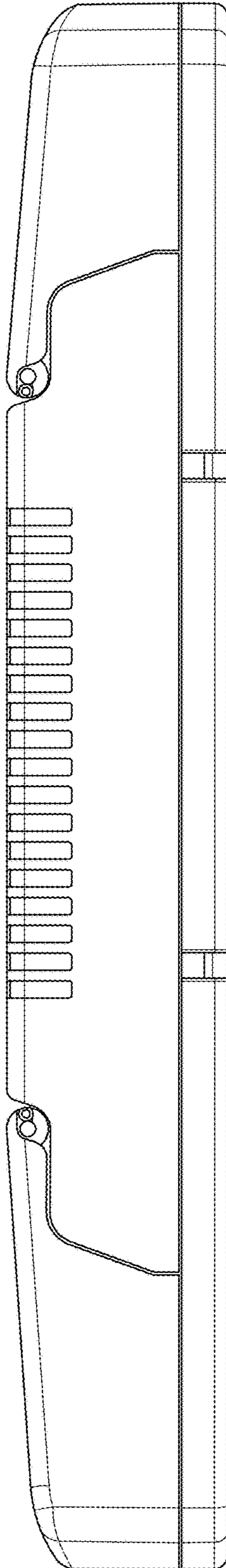


FIG. 13

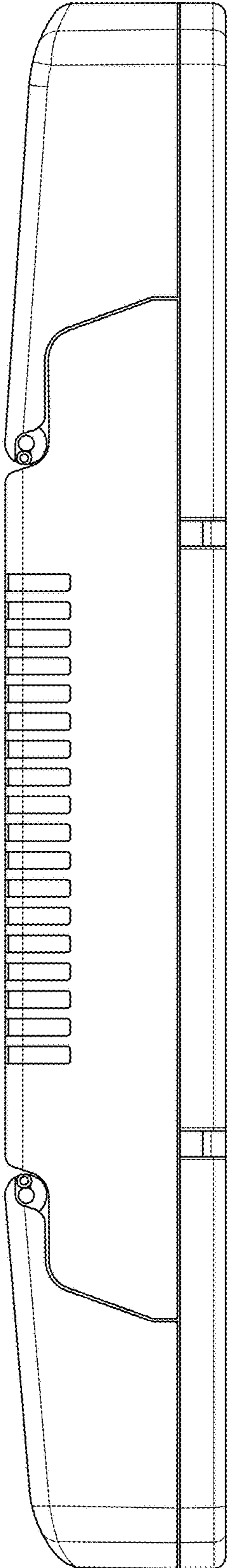


FIG. 14

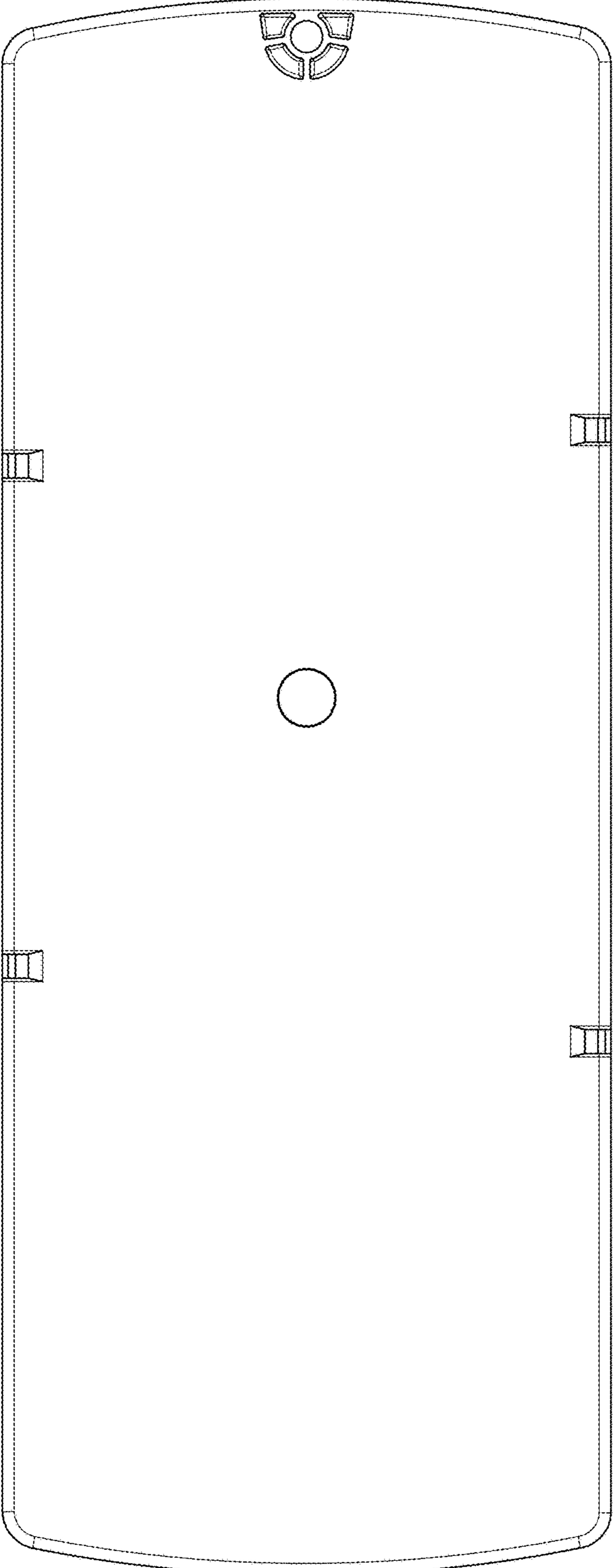


FIG. 15

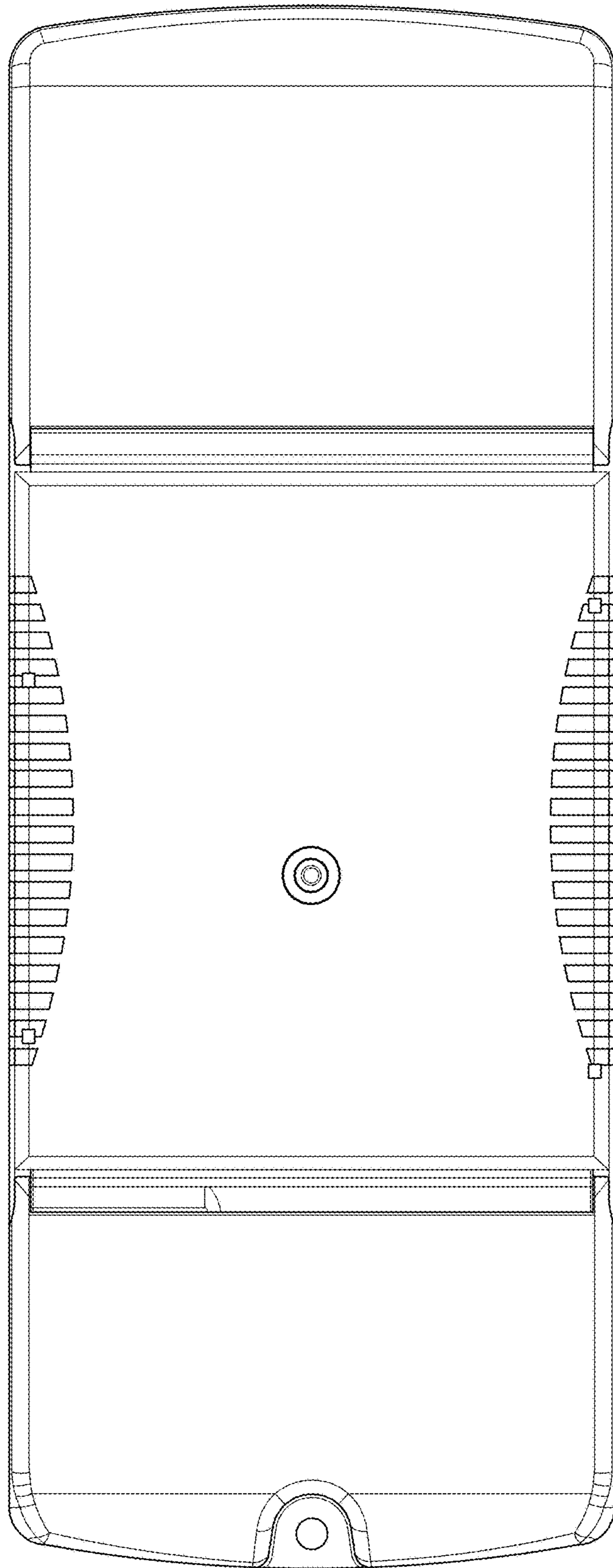


FIG. 16



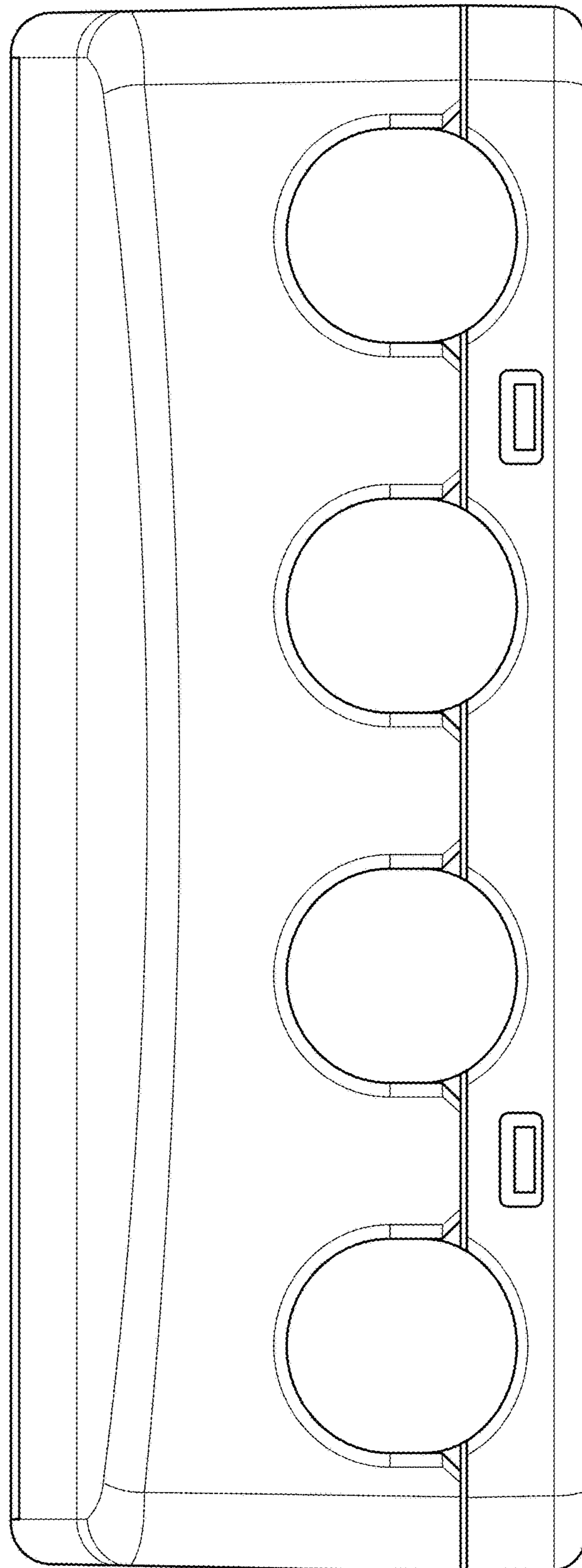


FIG. 17

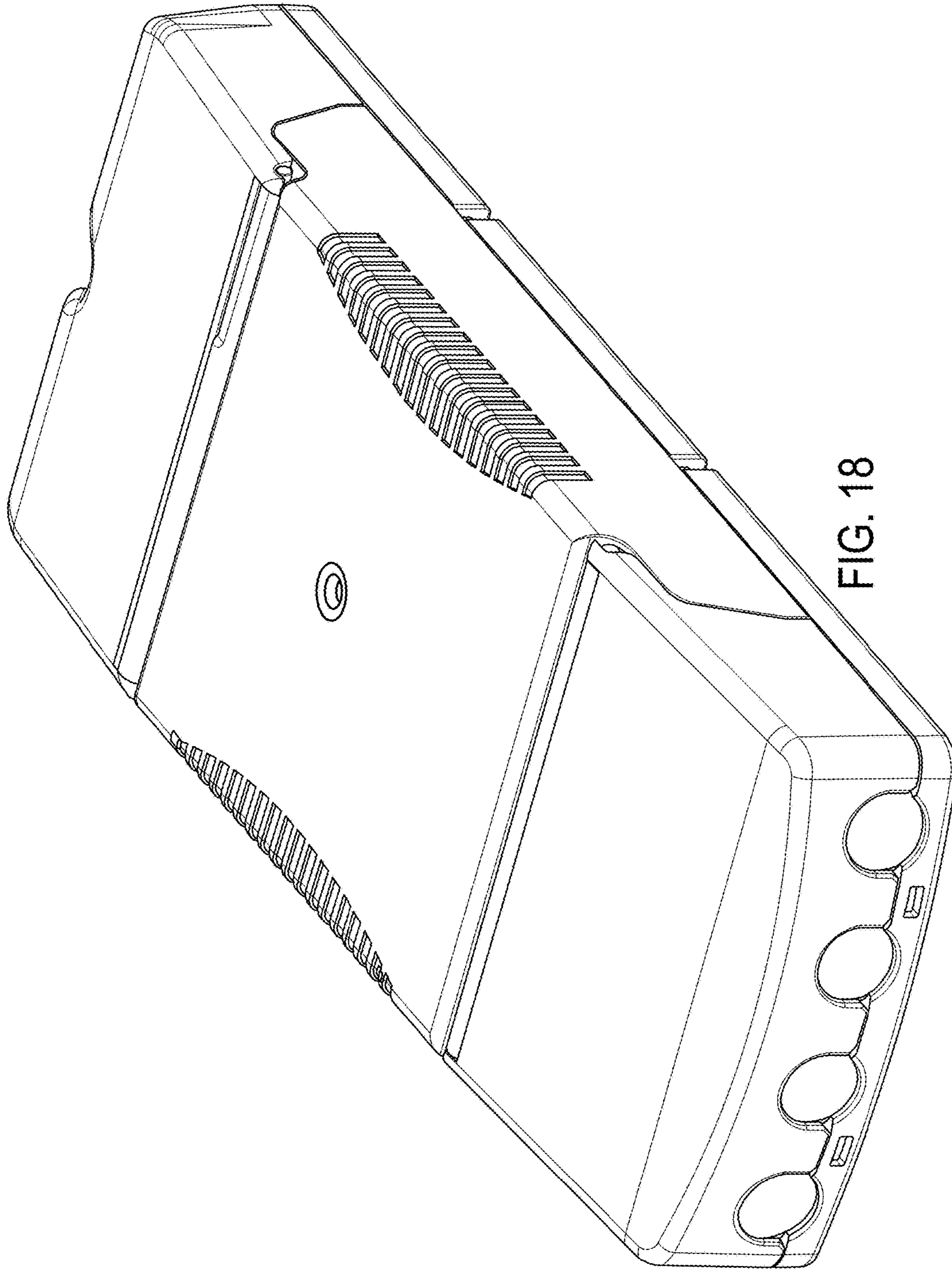


FIG. 18