



US00D842241S

(12) **United States Design Patent** (10) **Patent No.:** **US D842,241 S**
Hasani (45) **Date of Patent:** **** Mar. 5, 2019**

(54) **CHARGING STATION**
(71) Applicant: **Parabit Systems, Inc.**, Roosevelt, NY (US)
(72) Inventor: **Mohammad Hasani**, Brooklyn, NY (US)
(73) Assignee: **Parabit Systems, Inc.**, Roosevelt, NY (US)

D228,984 S 11/1973 Miller
D365,237 S 12/1995 Stirling et al.
D371,919 S * 7/1996 Konecny D6/678.1
D396,123 S 7/1998 Swanson
D480,581 S * 10/2003 Searer D6/677.1
D544,249 S 6/2007 Parisot
D671,068 S * 11/2012 Gieniec D13/107
D709,828 S * 7/2014 Fiaschetti D13/108
D729,161 S * 5/2015 Lykov D13/118
D766,823 S * 9/2016 Wahl D13/108
D794,558 S * 8/2017 Zhou D13/108

(**) Term: **15 Years**

OTHER PUBLICATIONS

(21) Appl. No.: **29/618,669**

Mobile Device Charging Stations: Power to the People Brochure; Parabit Systems, Inc.; 8 pages, Jun. 27, 2017.

(22) Filed: **Sep. 22, 2017**

* cited by examiner

(51) **LOC (11) Cl.** **13-02**

Primary Examiner — Rosemary K Tarcza

(52) **U.S. Cl.**

(74) *Attorney, Agent, or Firm* — Gerald Hespos; Michael Porco; Adam Hotzoglou

USPC **D13/107**

(58) **Field of Classification Search**

USPC D13/107–110, 118–119, 184, 199;
D14/251, 253, 432, 434; D6/673, 678,
D6/678.1

CPC Y02E 60/12; Y02T 90/14; Y02T 90/122;
Y02T 90/128; Y02T 90/163; H02J 7/025;
H02J 7/0042; H02J 7/0044; H02J 7/0045;
H02J 7/0003; H01F 38/14; H01R
13/6675; H01M 2/1022; H01M 2/1055;
H01M 10/44; H01M 10/46; H01M
10/425; B60L 11/182

(57) **CLAIM**

The ornamental design for a charging station, as shown and described.

See application file for complete search history.

DESCRIPTION

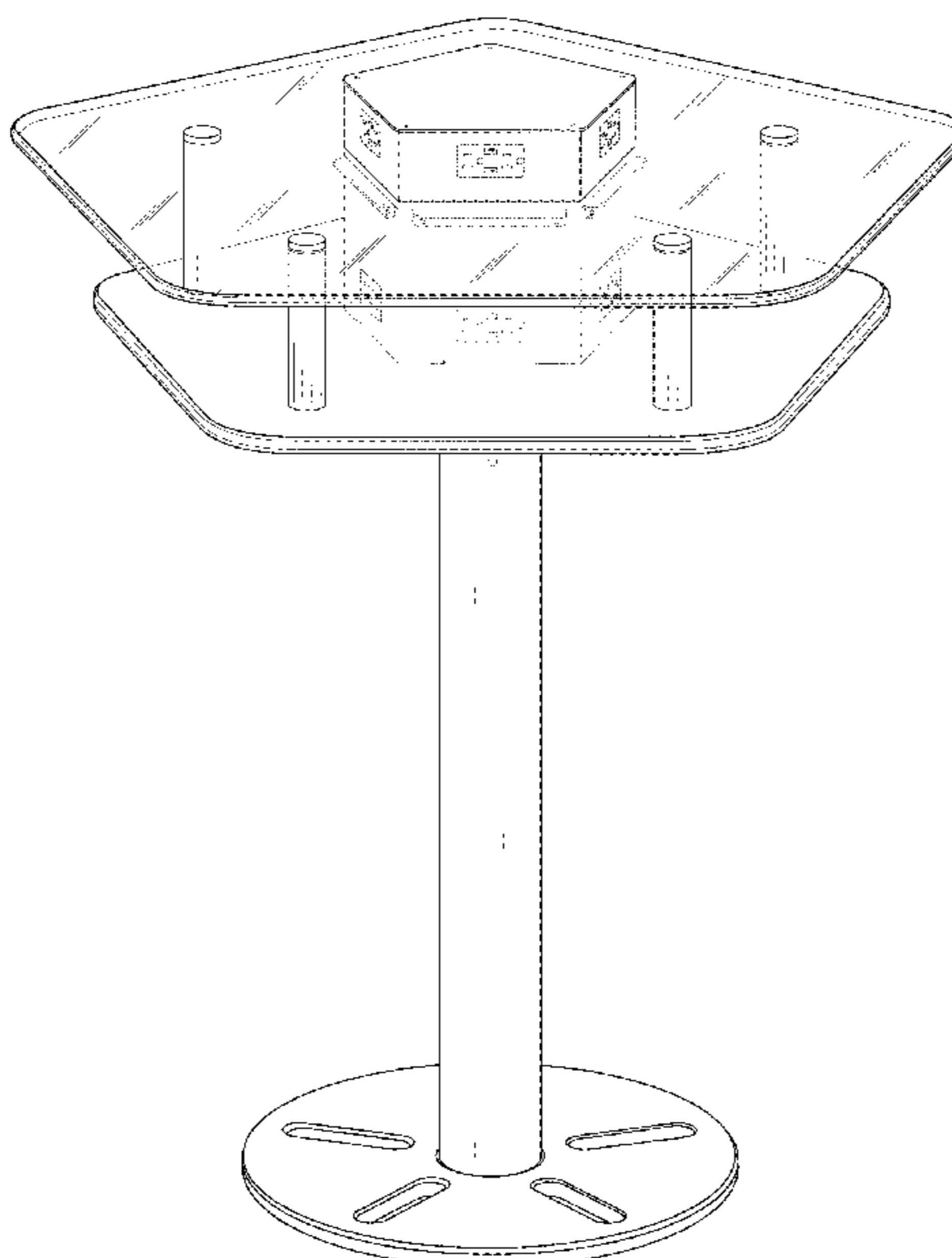
FIG. 1 is a front, top, perspective view of a charging station embodying my new design;
FIG. 2 is a front elevational view thereof;
FIG. 3 is a rear elevational view thereof;
FIG. 4 is a left side elevational view thereof;
FIG. 5 is a right side elevational view thereof;
FIG. 6 is a top plan view thereof; and,
FIG. 7 is a bottom plan view thereof.
The broken lines shown in the figures illustrate portions of the charging station that form no part of the claimed design.

(56) **References Cited**

U.S. PATENT DOCUMENTS

D195,567 S 7/1963 Gleitsman et al.
D195,571 S 7/1963 Gleitsman et al.
D222,567 S 11/1971 Cohen
D228,213 S * 8/1973 Johnston D6/678.1

1 Claim, 7 Drawing Sheets



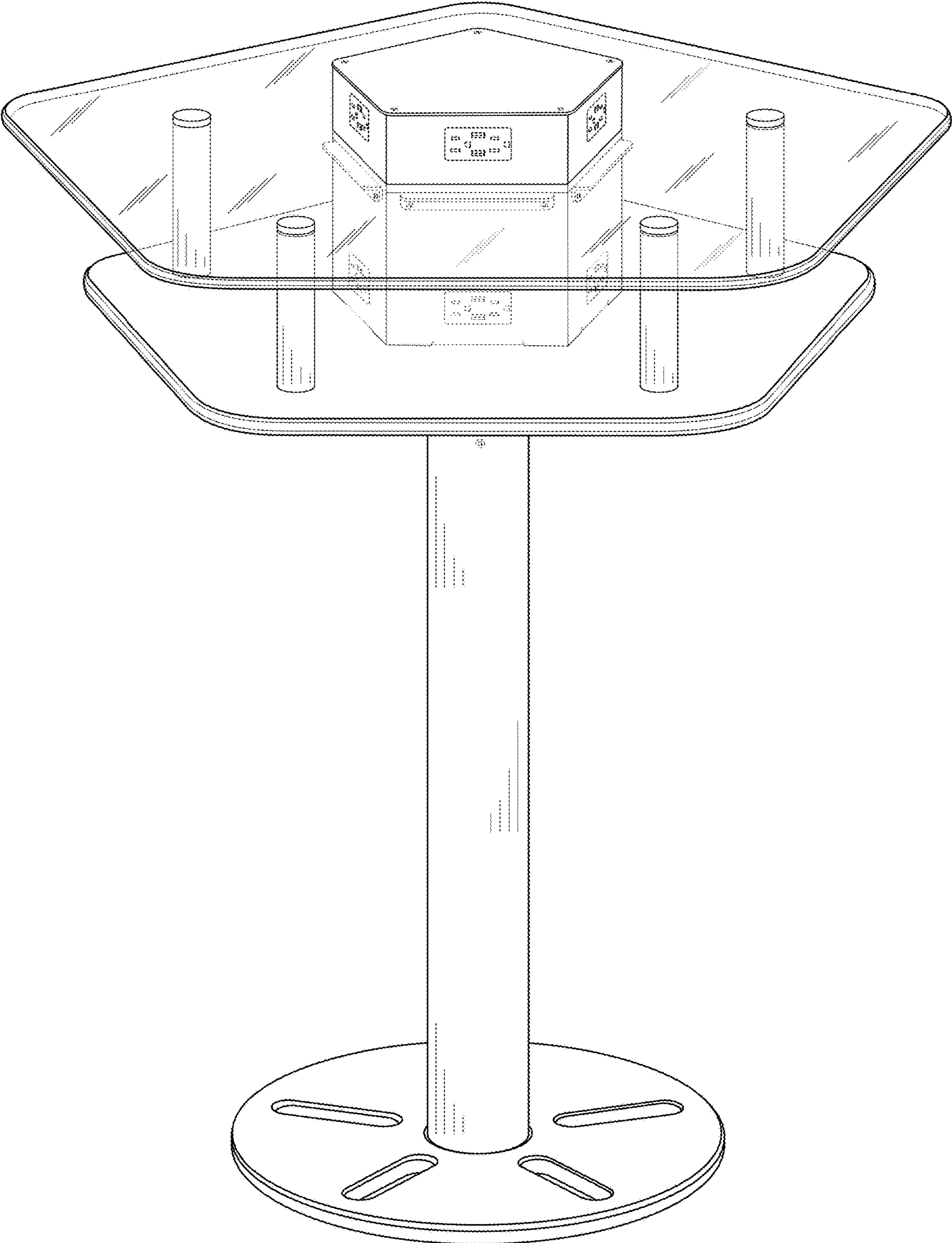


FIG. 1

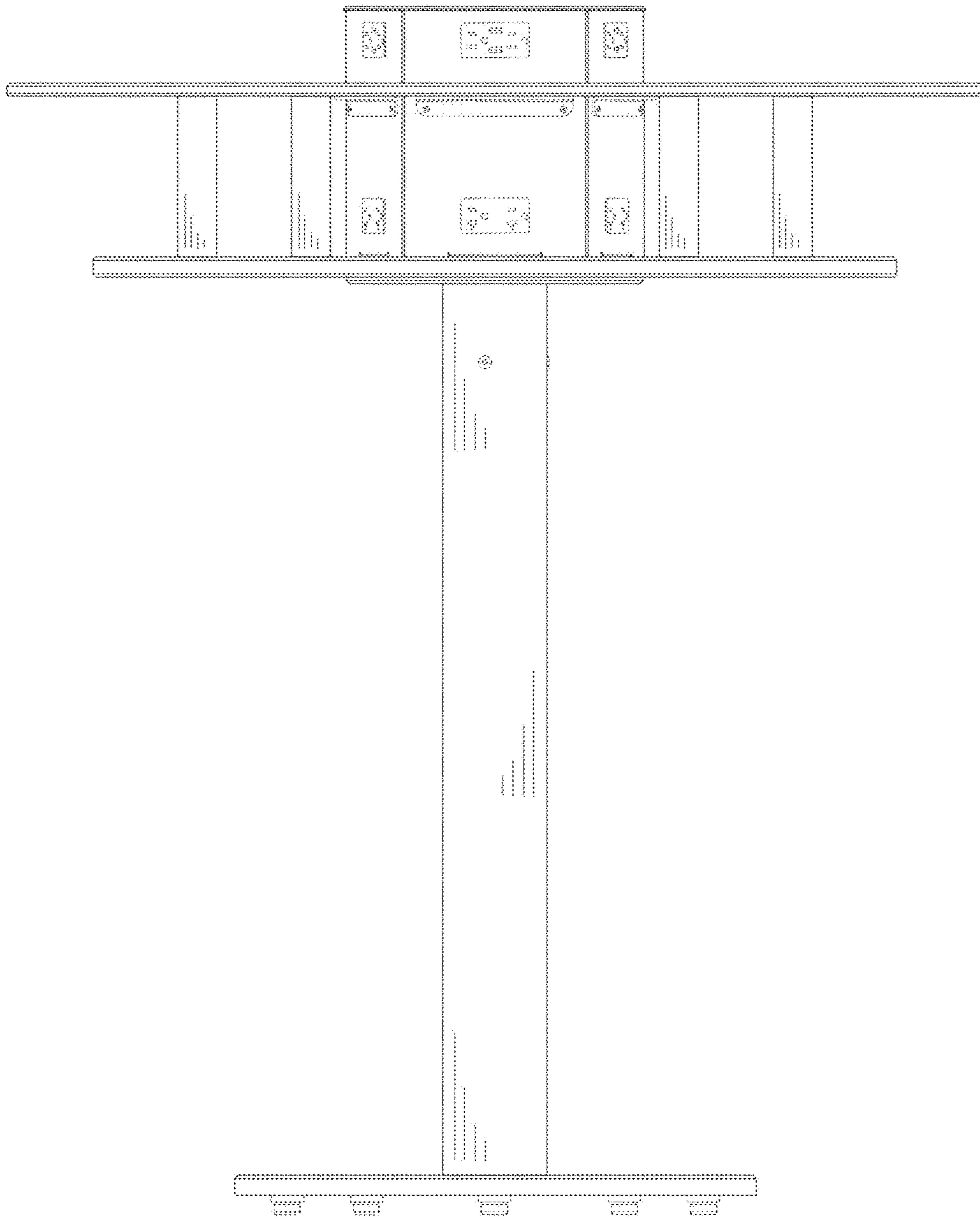


FIG. 2

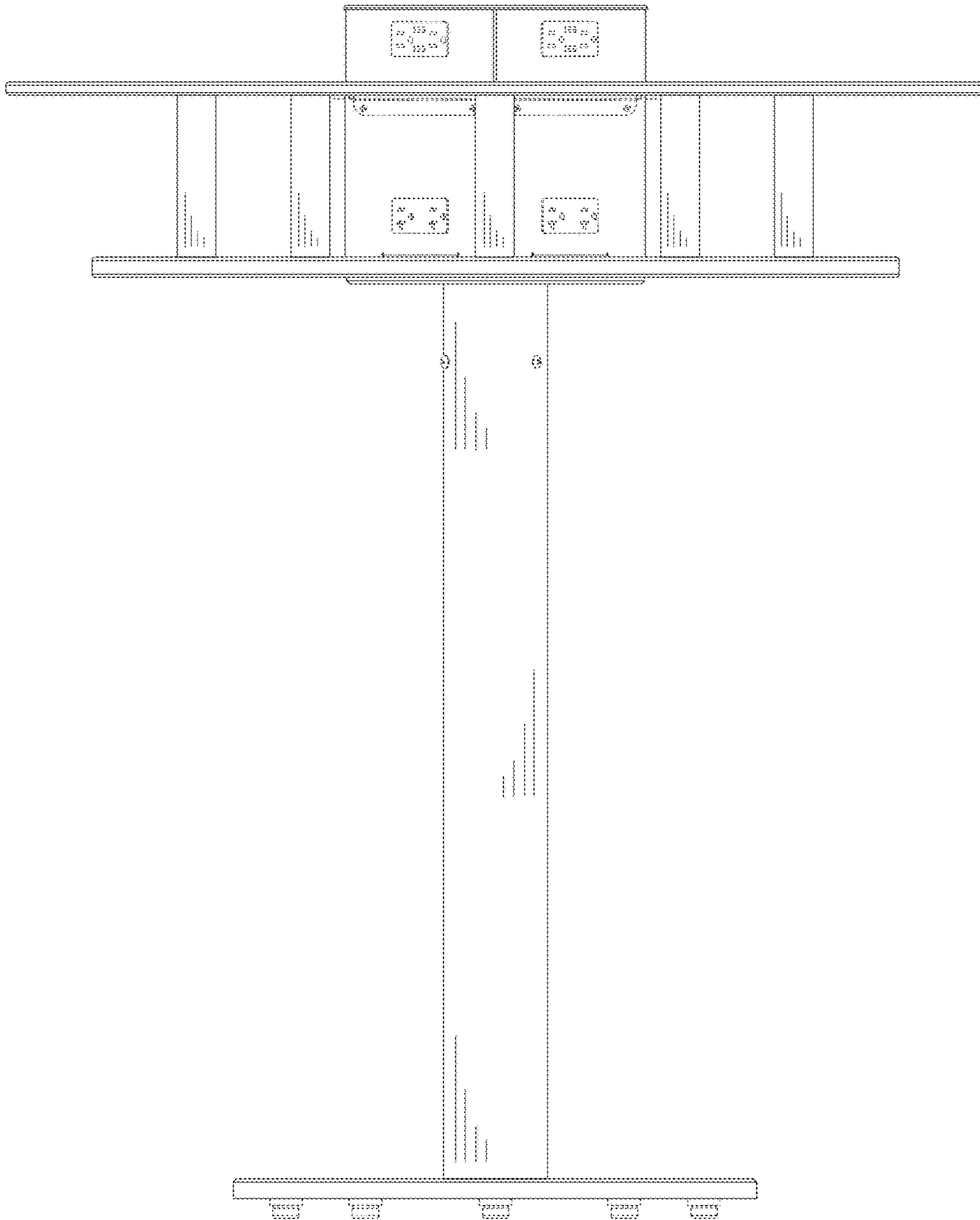


FIG. 3

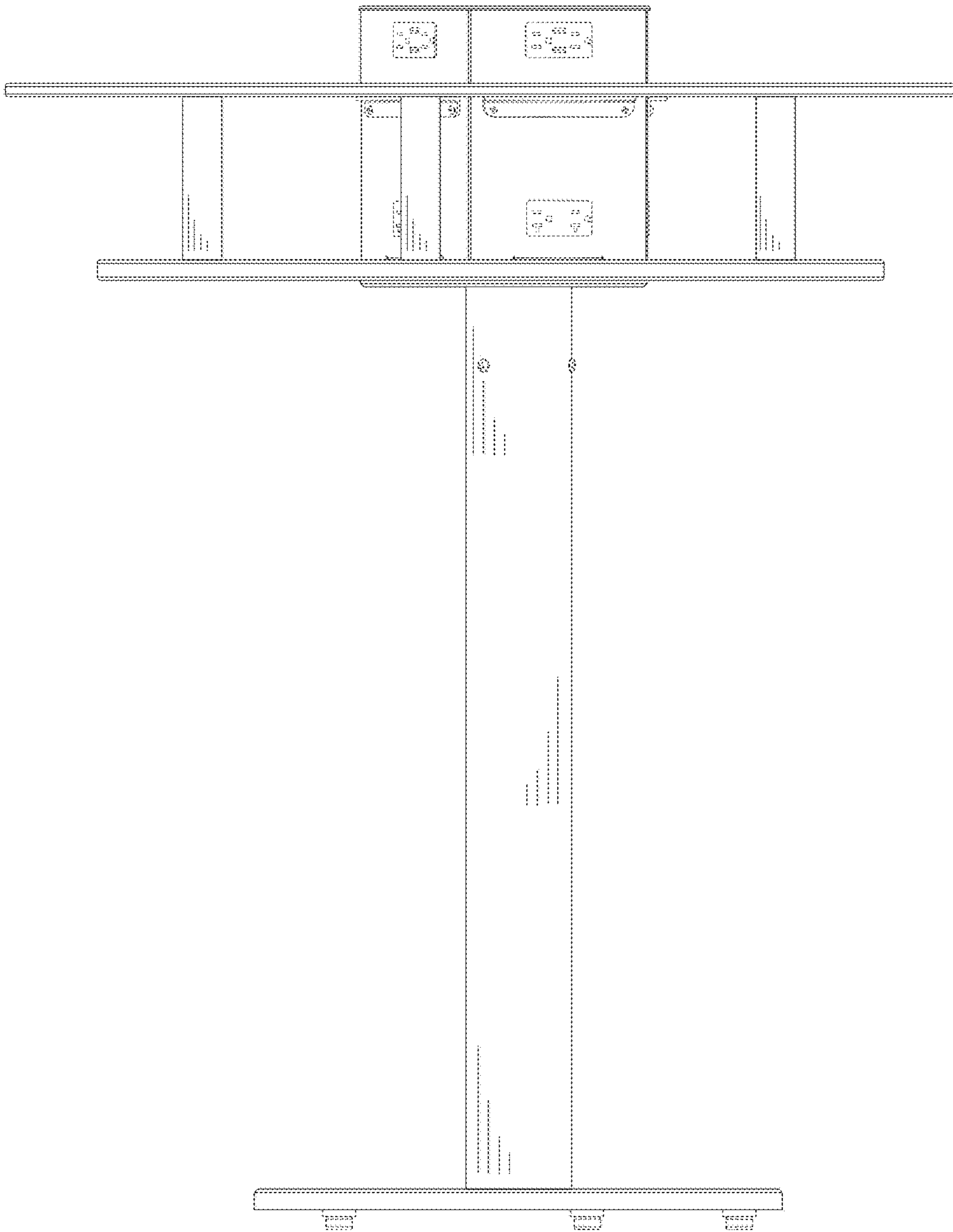


FIG. 4

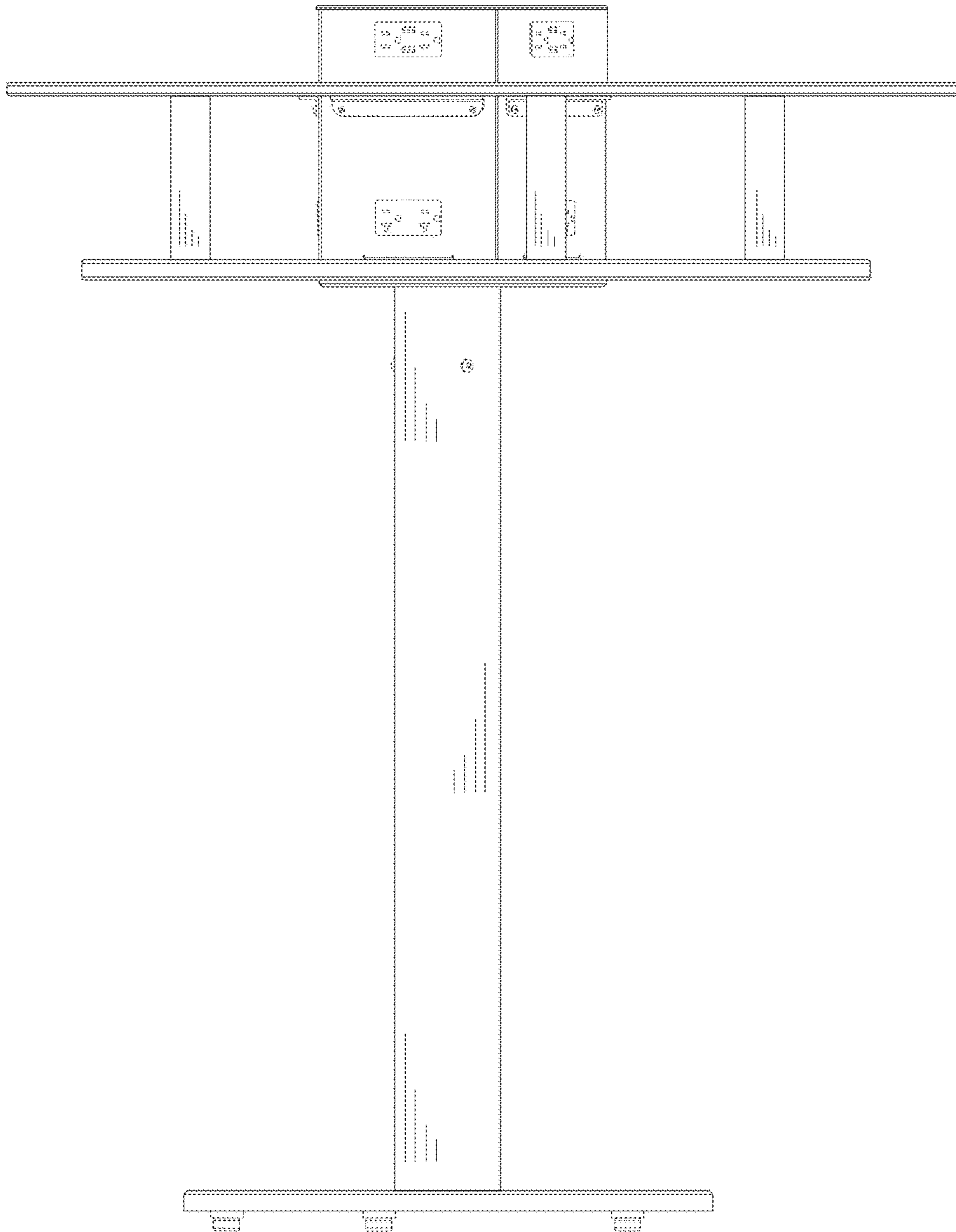


FIG. 5

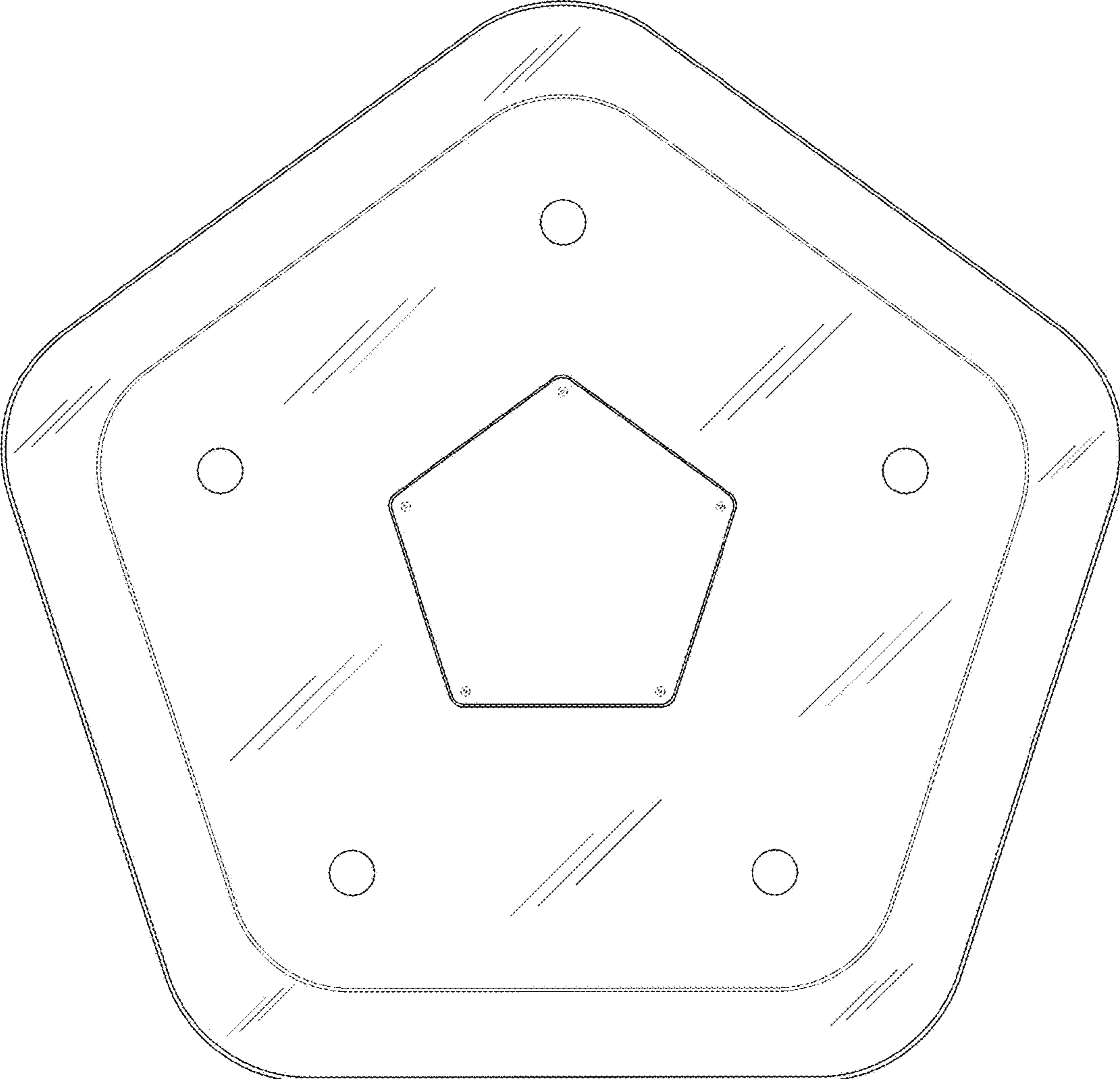


FIG. 6

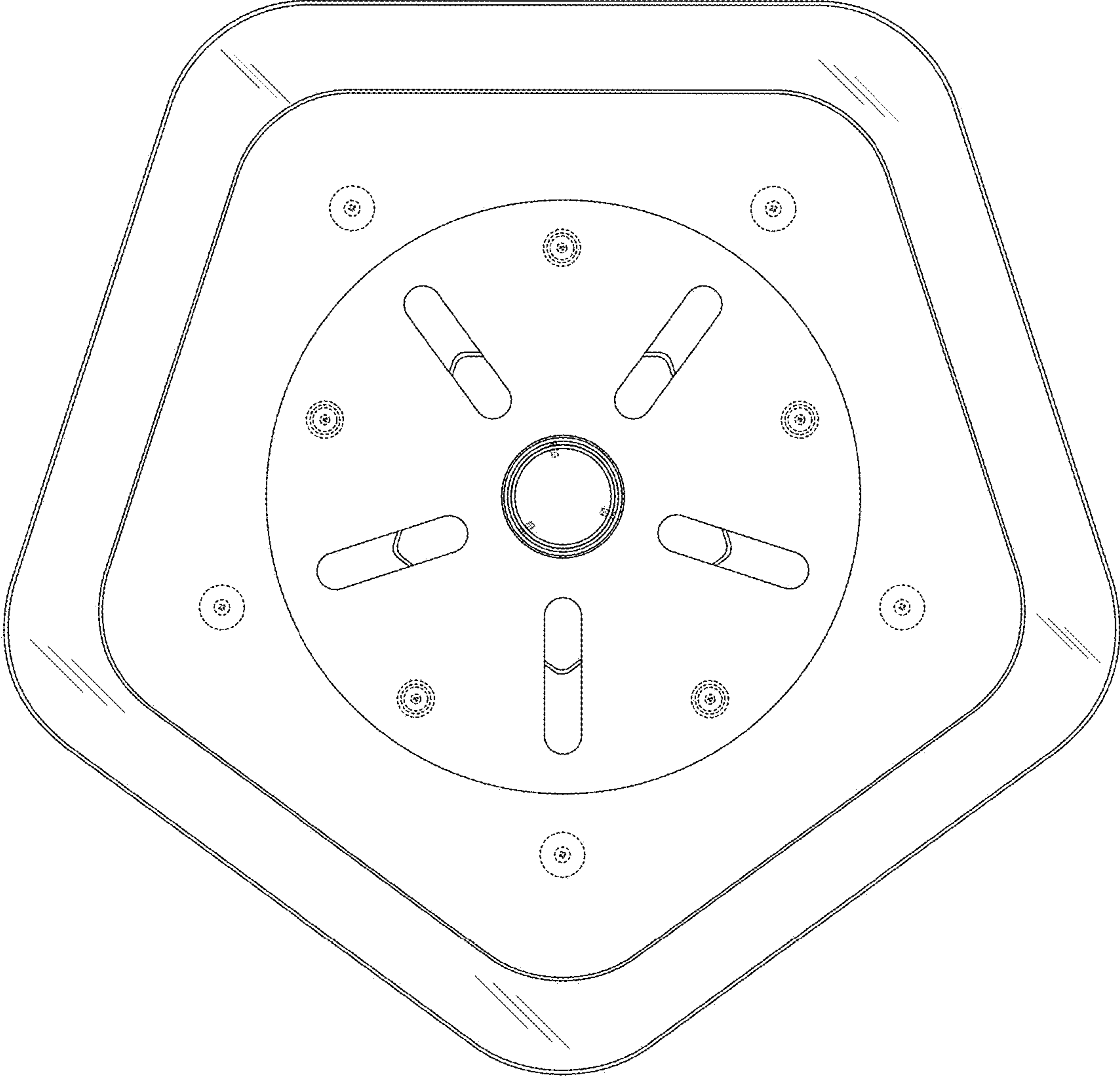


FIG. 7