



US00D842237S

(12) **United States Design Patent**
Qiu et al.

(10) **Patent No.:** **US D842,237 S**
(45) **Date of Patent:** **** Mar. 5, 2019**

(54) **BATTERY**

(71) Applicant: **Changzhou Patent Electronic Technology Co., LTD.**, Changzhou, Jiangsu (CN)

(72) Inventors: **Weihua Qiu**, Jiangsu (CN); **Mifei Xu**, Jiangsu (CN)

(73) Assignee: **Changzhou Patent Electronic Technology Co., LTD.**, Changzhou, Jiangsu (CN)

(**) Term: **15 Years**

(21) Appl. No.: **29/629,830**

(22) Filed: **Dec. 15, 2017**

(30) **Foreign Application Priority Data**

Aug. 8, 2017 (CN) 2017 3 0358049

(51) **LOC (11) Cl.** **13-02**

(52) **U.S. Cl.**
USPC **D13/103; D27/101**

(58) **Field of Classification Search**
USPC D13/102-108, 110, 118, 119, 184, 199;
D27/101, 162, 167

CPC Y02E 60/12; Y02E 60/122; Y02E 60/124;
Y02E 60/50; H01M 2/02; H01M 2/022;
H01M 2/0202; H01M 2/0207; H01M
2/0212; H01M 2/1061; H01M 2/1022;
H01M 2/1055; H01M 2/1066; H01M
2/105; H01M 2/204; H01M 10/4257;
H01M 10/0436; H01M 10/48

See application file for complete search history.

(56) **References Cited**

U.S. PATENT DOCUMENTS

D721,646 S * 1/2015 Kim D13/103
D758,656 S * 6/2016 Freshwater D27/163

D769,520 S * 10/2016 Hua D27/167
D772,477 S * 11/2016 Shin D27/163
D773,116 S * 11/2016 Liu D27/167
D776,051 S * 1/2017 Wang D13/103
D800,377 S * 10/2017 Liu D27/101
D805,028 S * 12/2017 Liu D13/103
D805,470 S * 12/2017 Qiu D13/103

(Continued)

OTHER PUBLICATIONS

Amazon.com: Necro Wraps, Brushed Galaxy Black Protective Air Release Vinyl Decal Wrap for Joyetech Cuboid 150W Vape Box Mod by Necro Wraps. Published Sep. 1, 2016. Retrieved from the internet at <<https://www.amazon.com/Black-Protective-Joyetech-Necro-Wraps/dp/B01H2JEUXO/>>, Oct. 22, 2018. 1 pg. (Year: 2016).*

(Continued)

Primary Examiner — Rosemary K Tarcza

Assistant Examiner — Christy M Nemeth

(74) *Attorney, Agent, or Firm* — Novick, Kim & Lee, PLLC; Allen Xue; Hyun Woo Shin

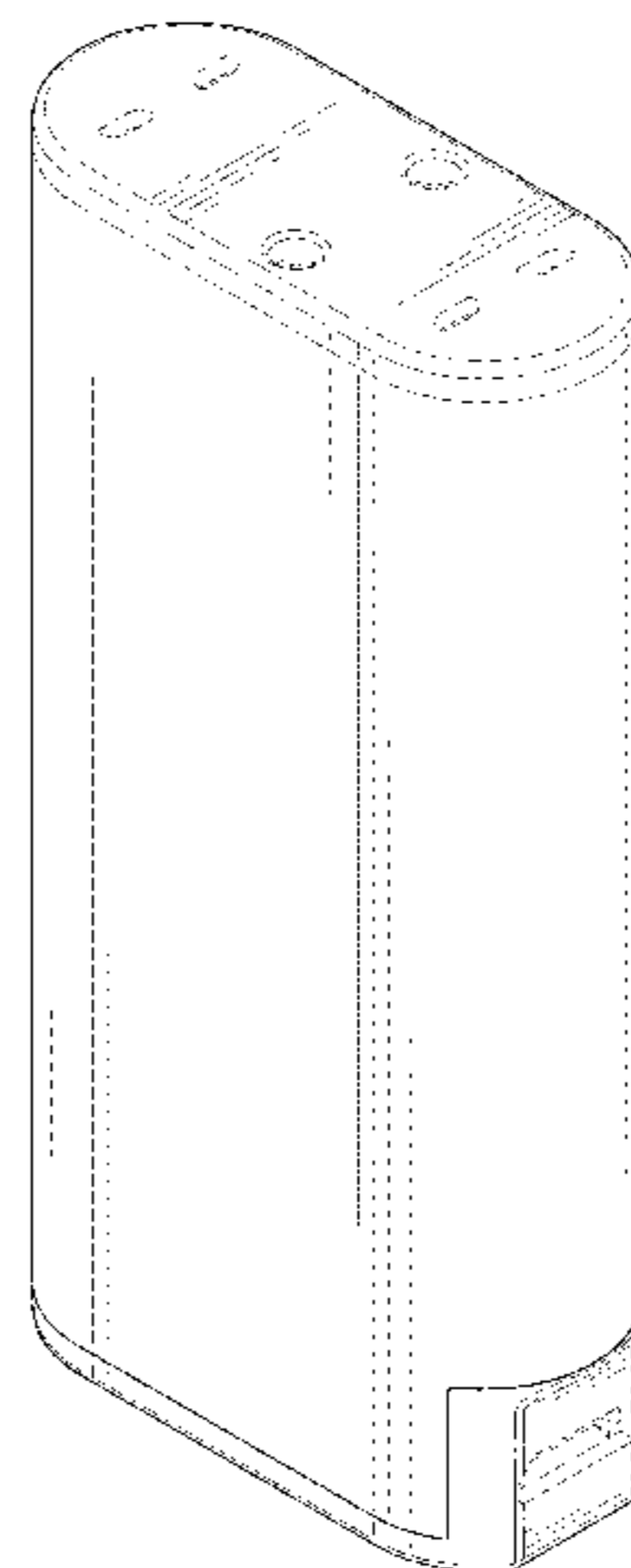
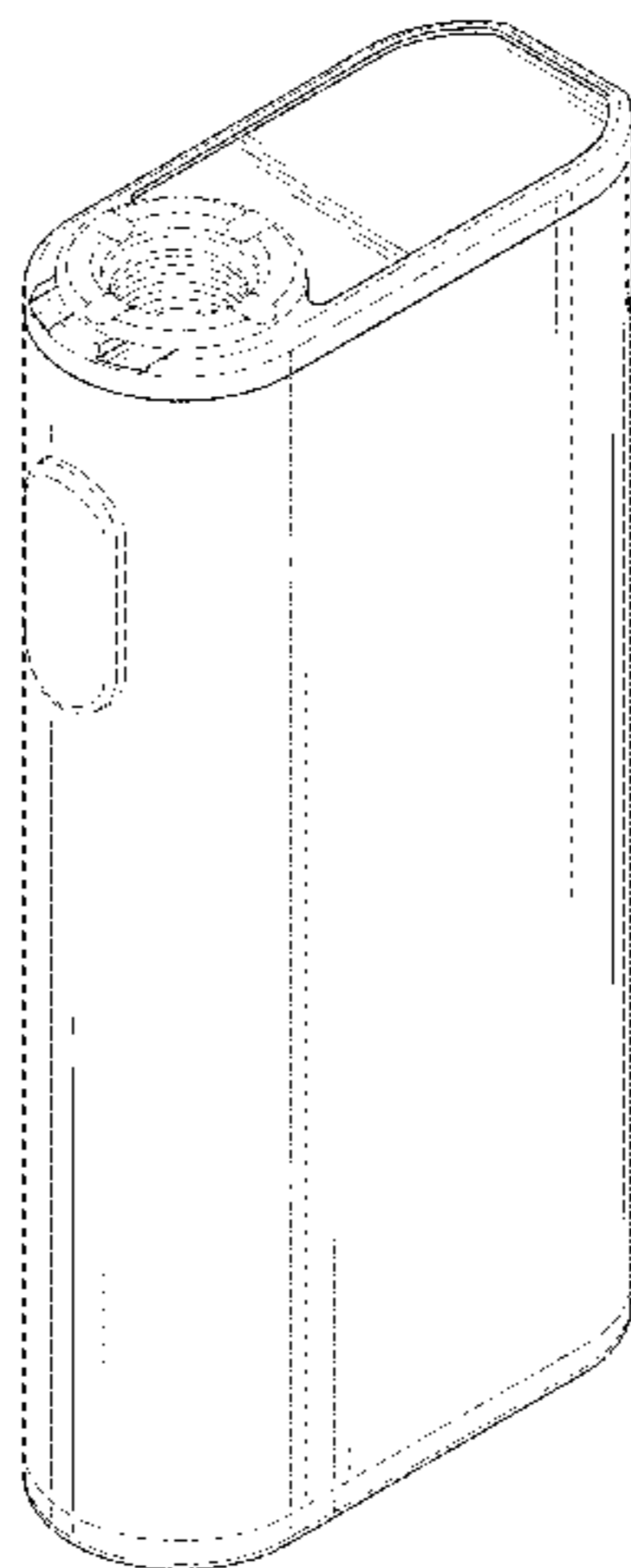
(57) **CLAIM**

We claim the ornamental design for a battery, as shown and described.

DESCRIPTION

FIG. 1 is a top, front, right side perspective view of a battery, showing our new design;
FIG. 2 is a bottom, rear, left side perspective view thereof;
FIG. 3 is a front elevational view thereof;
FIG. 4 is a rear elevational view thereof;
FIG. 5 is a left side elevational view thereof;
FIG. 6 is a right side elevational view thereof;
FIG. 7 is a top plan view thereof; and,
FIG. 8 is a bottom plan view thereof.
The broken lines in the drawings show portions of the battery which form no part of the claimed design.

1 Claim, 8 Drawing Sheets



(56)

References Cited

U.S. PATENT DOCUMENTS

D805,685 S * 12/2017 Lee D27/101
D807,286 S * 1/2018 Qiu D13/103
D808,073 S * 1/2018 Leidel D27/162
D819,880 S * 6/2018 Qiu D27/101
D825,455 S * 8/2018 Liu D13/103
D827,595 S * 9/2018 Fournier D13/184
D828,621 S * 9/2018 Qiu D27/162
D829,982 S * 10/2018 Wang D27/167
2018/0070638 A1* 3/2018 Qiu A24F 47/008
2018/0166238 A1* 6/2018 Chen A24F 47/00

OTHER PUBLICATIONS

YouTube.com: Joyetech Cuboid 200W Triple 18650 TC Box Mod, first batch | Vapesourcing. Published Nov. 21, 2016. Retrieved from the internet at <<https://www.youtube.com/watch?v=jSkoQ78zeCQ>>, Oct. 22, 2018. 1 pg. (Year: 2016).*

* cited by examiner

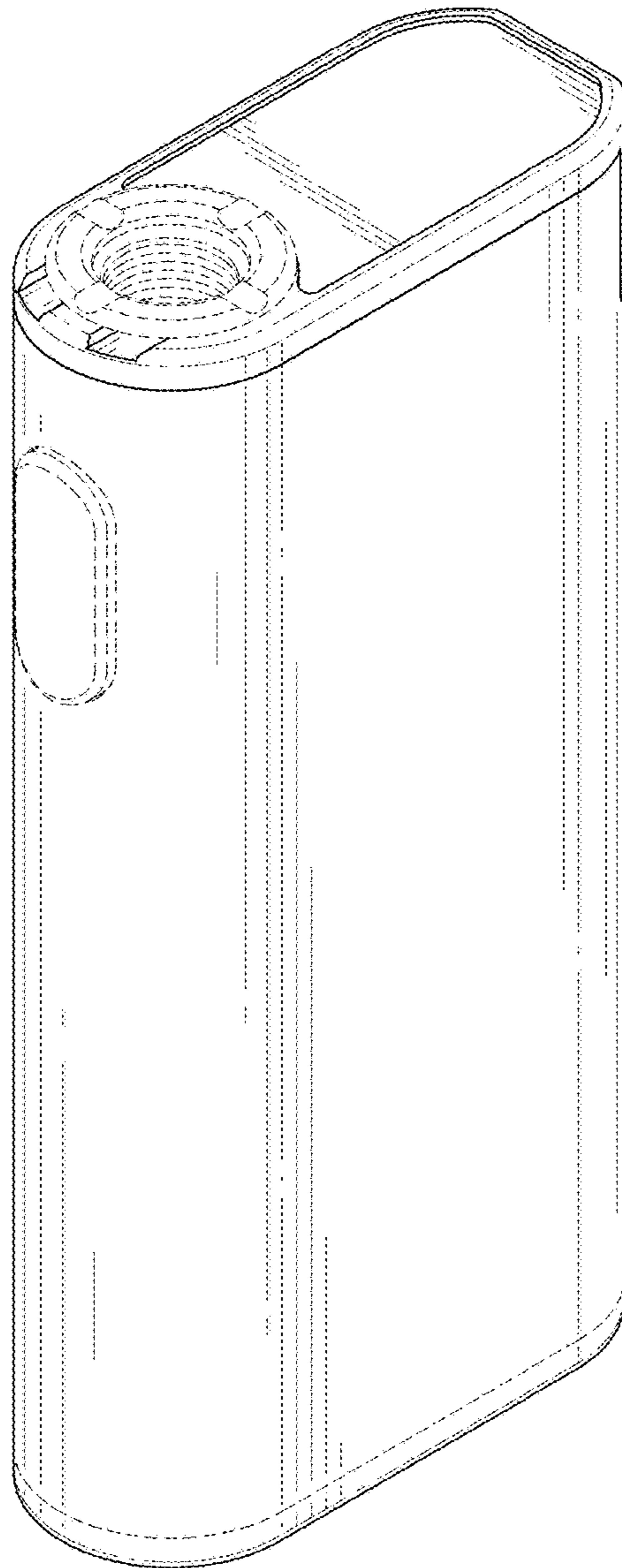


FIG. 1

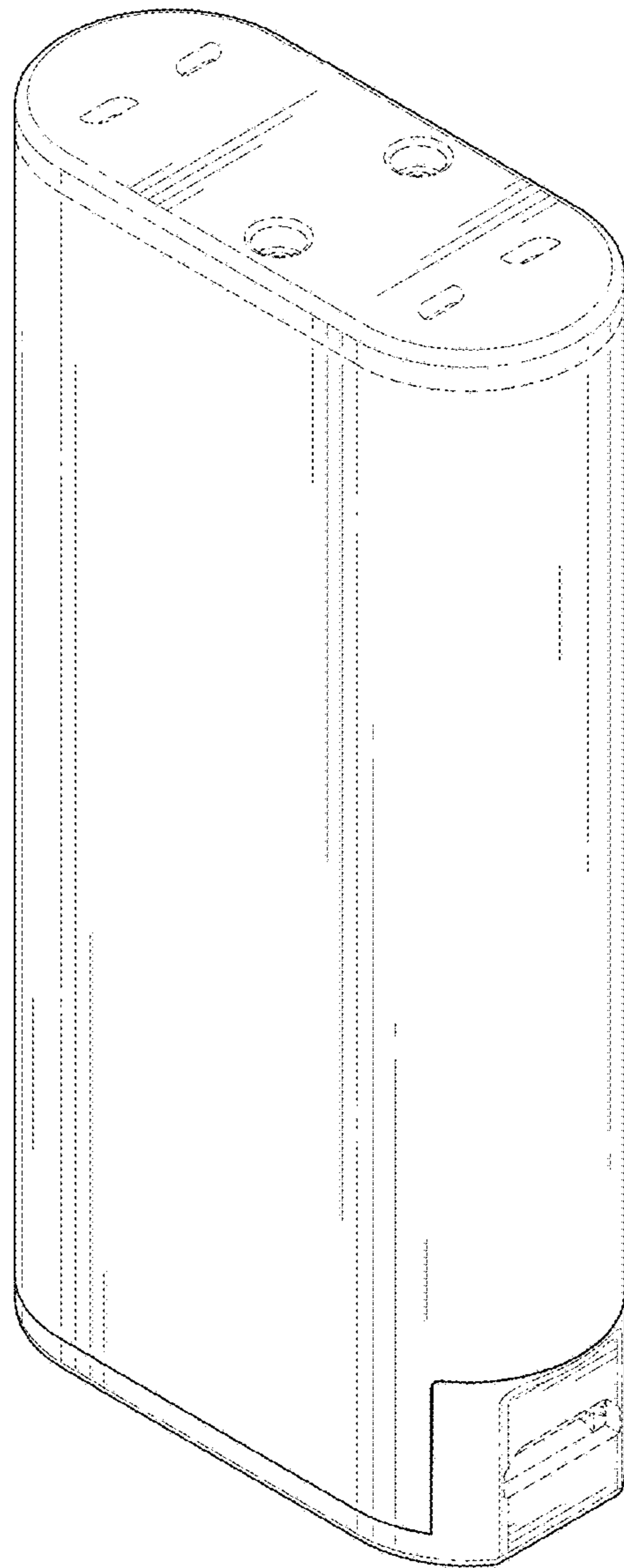


FIG. 2

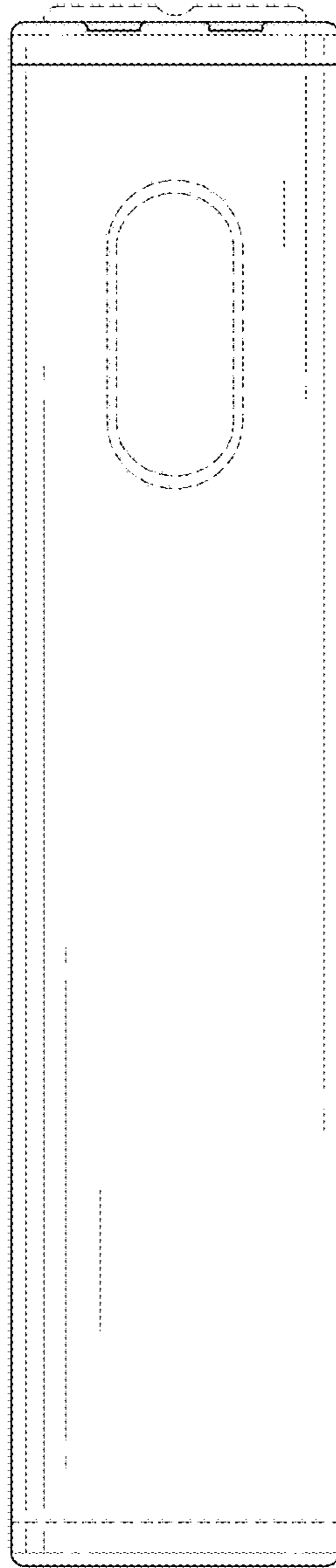


FIG. 3

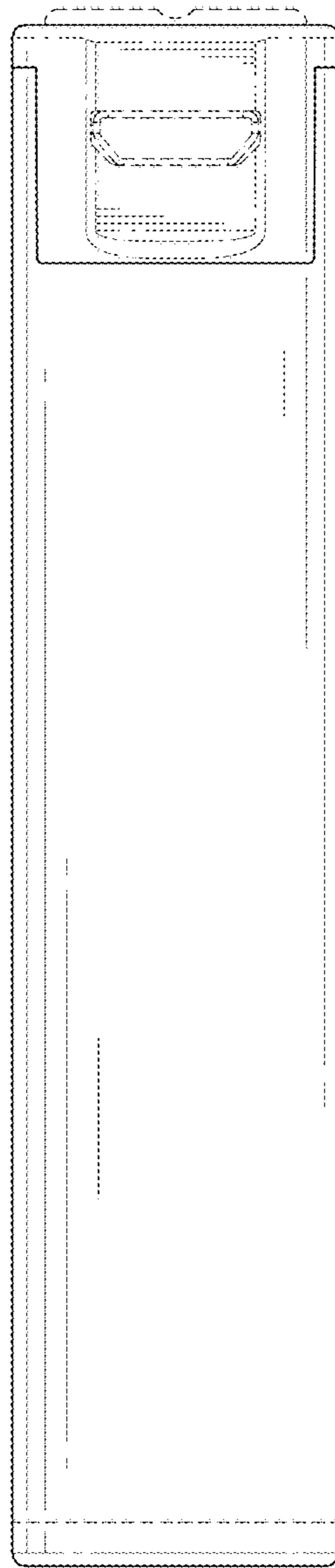


FIG. 4

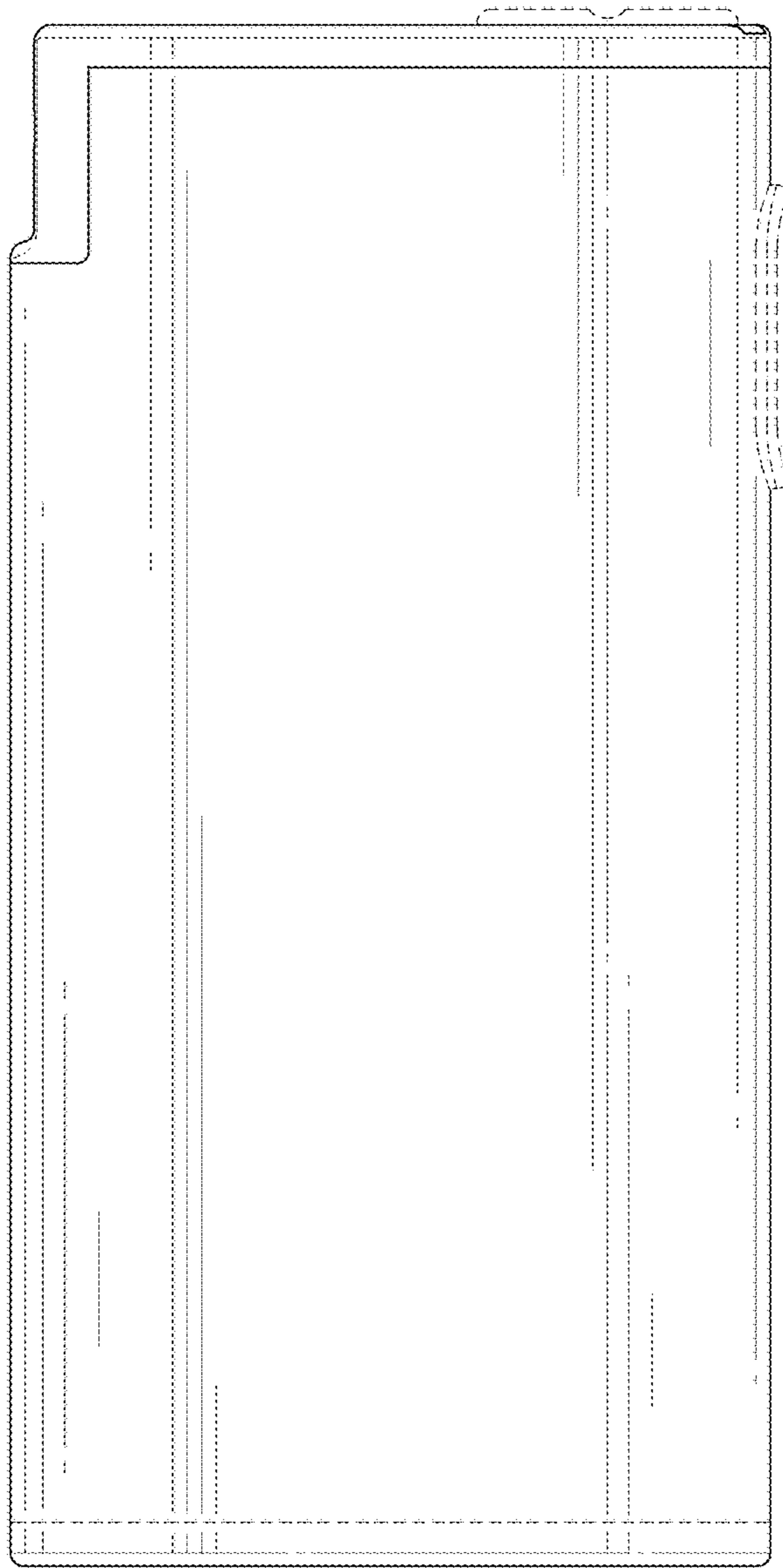


FIG. 5

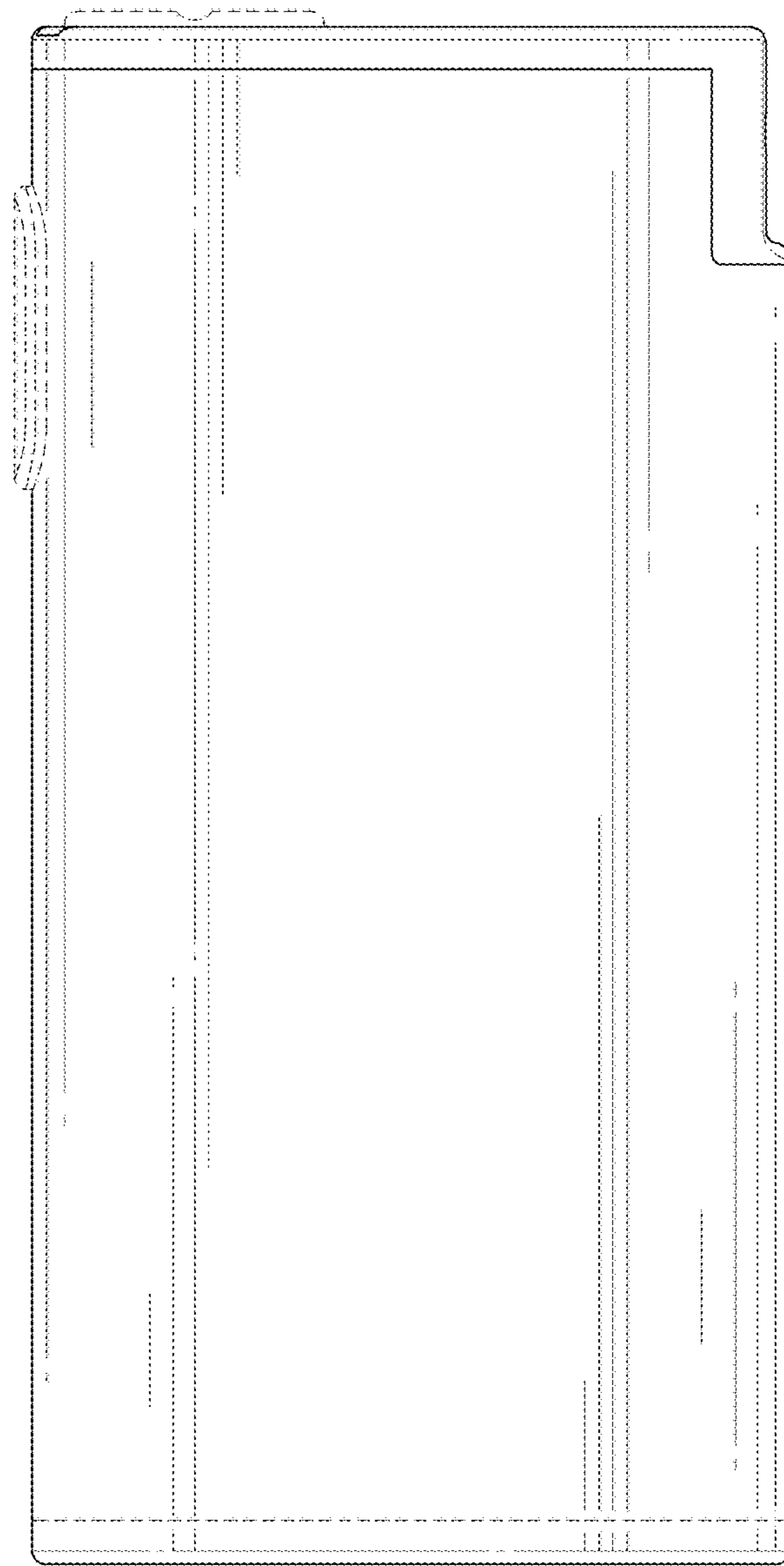


FIG. 6

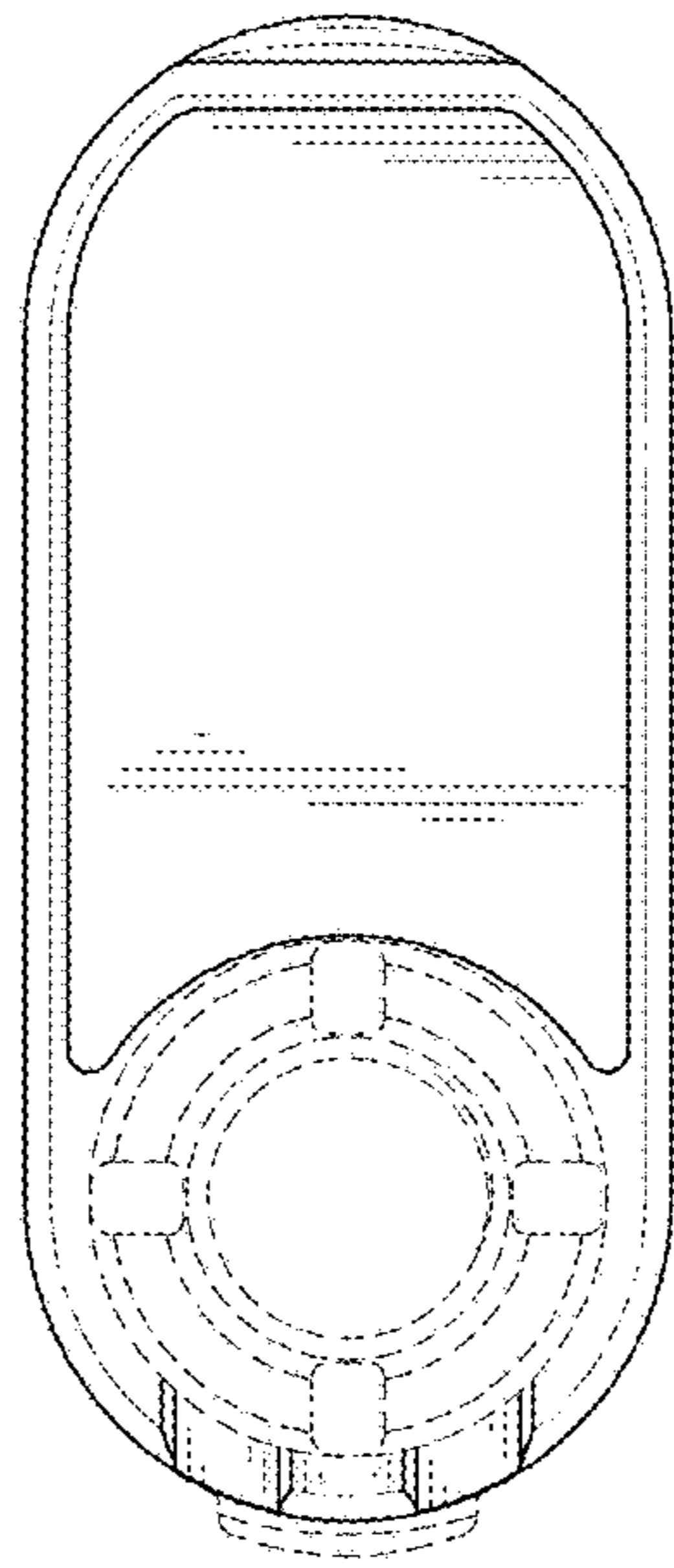


FIG. 7

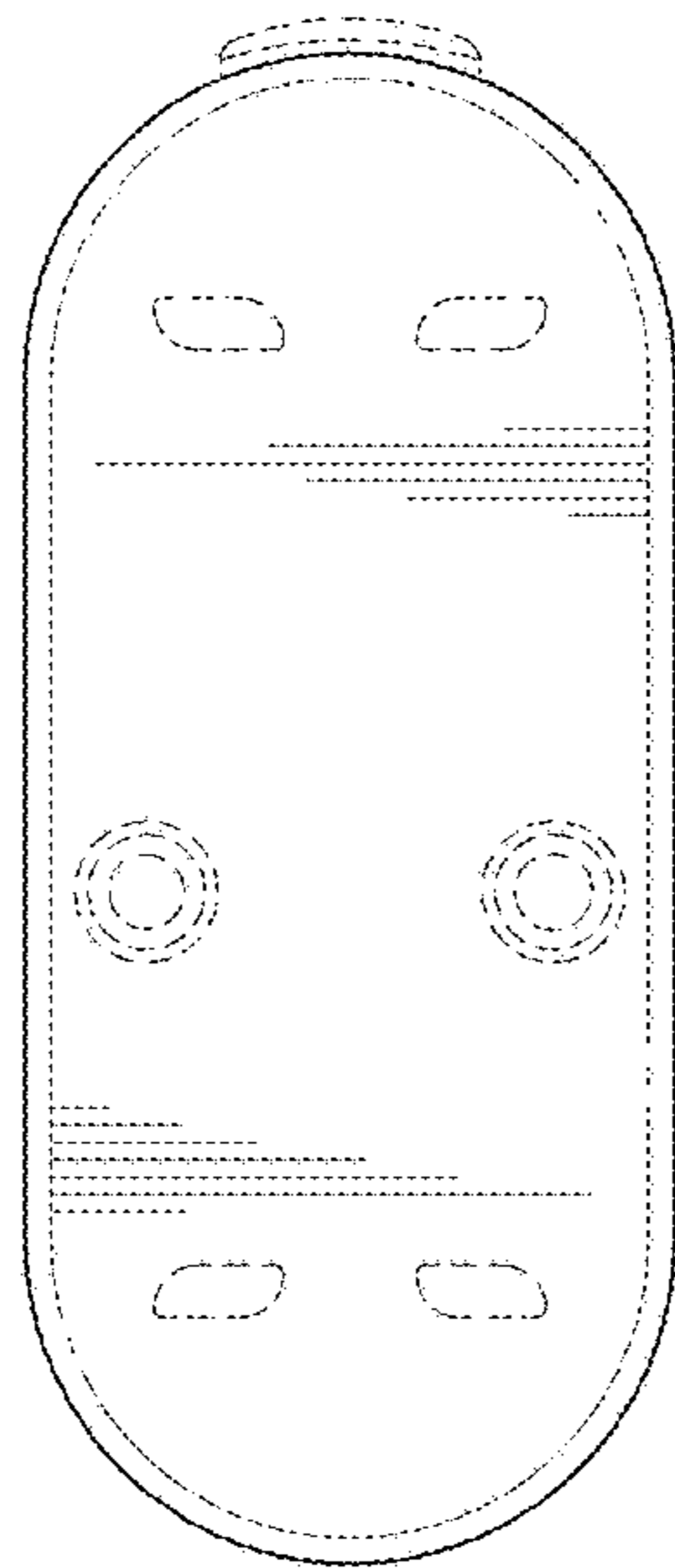


FIG. 8