

US00D842236S

(12) **United States Design Patent**
Garduno et al.

(10) **Patent No.:** **US D842,236 S**
(45) **Date of Patent:** **** Mar. 5, 2019**

- (54) **BATTERY RECEPTACLE**
- (71) Applicant: **Triad National Security, LLC**, Los Alamos, NM (US)
- (72) Inventors: **Gilbert John Garduno**, Los Alamos, NM (US); **Orlando Thomas Lopez**, Los Alamos, NM (US); **Kyle Matthew Sternberg**, Los Alamos, NM (US)
- (73) Assignee: **Triad National Security, LLC**, Los Alamos, NM (US)
- (**) Term: **15 Years**
- (21) Appl. No.: **29/572,474**
- (22) Filed: **Jul. 28, 2016**
- (51) **LOC (11) Cl.** **13-02**
- (52) **U.S. Cl.**
USPC **D13/103**
- (58) **Field of Classification Search**
USPC D13/102–106, 110, 118–119, 184
CPC Y02E 60/12; Y02E 60/122; Y02E 60/124; Y02E 60/50; H01M 2/02; H01M 2/022; H01M 2/0202; H01M 2/0207; H01M 2/0212; H01M 2/1061; H01M 2/1022; H01M 2/1055; H01M 2/1066; H01M 2/105; H01M 2/204; H01M 10/4257; H01M 10/0436; H01M 10/48
See application file for complete search history.

D618,167 S *	6/2010	Tiffe	D13/103
D654,016 S *	2/2012	Neidhart	D13/103
D691,555 S *	10/2013	Esses	D13/110
D735,168 S *	7/2015	Cheng	D14/209.1
D756,908 S *	5/2016	Chung	D13/103
D773,389 S *	12/2016	Miller	D13/103
D777,146 S *	1/2017	Cheng	D14/209.1
D788,697 S *	6/2017	Verleur	D13/103
2008/0166629 A1 *	7/2008	Shiau	H01M 2/0257 429/169
2015/0014008 A1 *	1/2015	Gray	H01M 2/1055 173/46

* cited by examiner

Primary Examiner — Rosemary K Tarcza
Assistant Examiner — Alison M Ofstun

(74) *Attorney, Agent, or Firm* — Leonardpatel P.C.;
Michael Aristo Leonard, II; Sheetal Suresh Patel

(57) **CLAIM**

We claim the ornamental design for a battery receptacle, as shown and described.

DESCRIPTION

FIG. 1 is a bottom perspective view of a battery receptacle, showing our new design;
 FIG. 2 is a front view of a right half of a battery receptacle, shown separately for ease of illustration.
 FIG. 3 is a rear view thereof;
 FIG. 4 is a rear perspective view thereof;
 FIG. 5 is a bottom view thereof;
 FIG. 6 is a front perspective view perspective of a left half of the battery receptacle, shown separately for ease of illustration;
 FIG. 7 is a rear view thereof;
 FIG. 8 is a rear perspective view thereof; and,
 FIG. 9 is a bottom view thereof.

1 Claim, 9 Drawing Sheets

(56) **References Cited**

U.S. PATENT DOCUMENTS

D439,878 S *	4/2001	Ark	D13/103
D467,868 S *	12/2002	Chemla	D13/108
D611,450 S *	3/2010	Miyazaki	D14/209.1

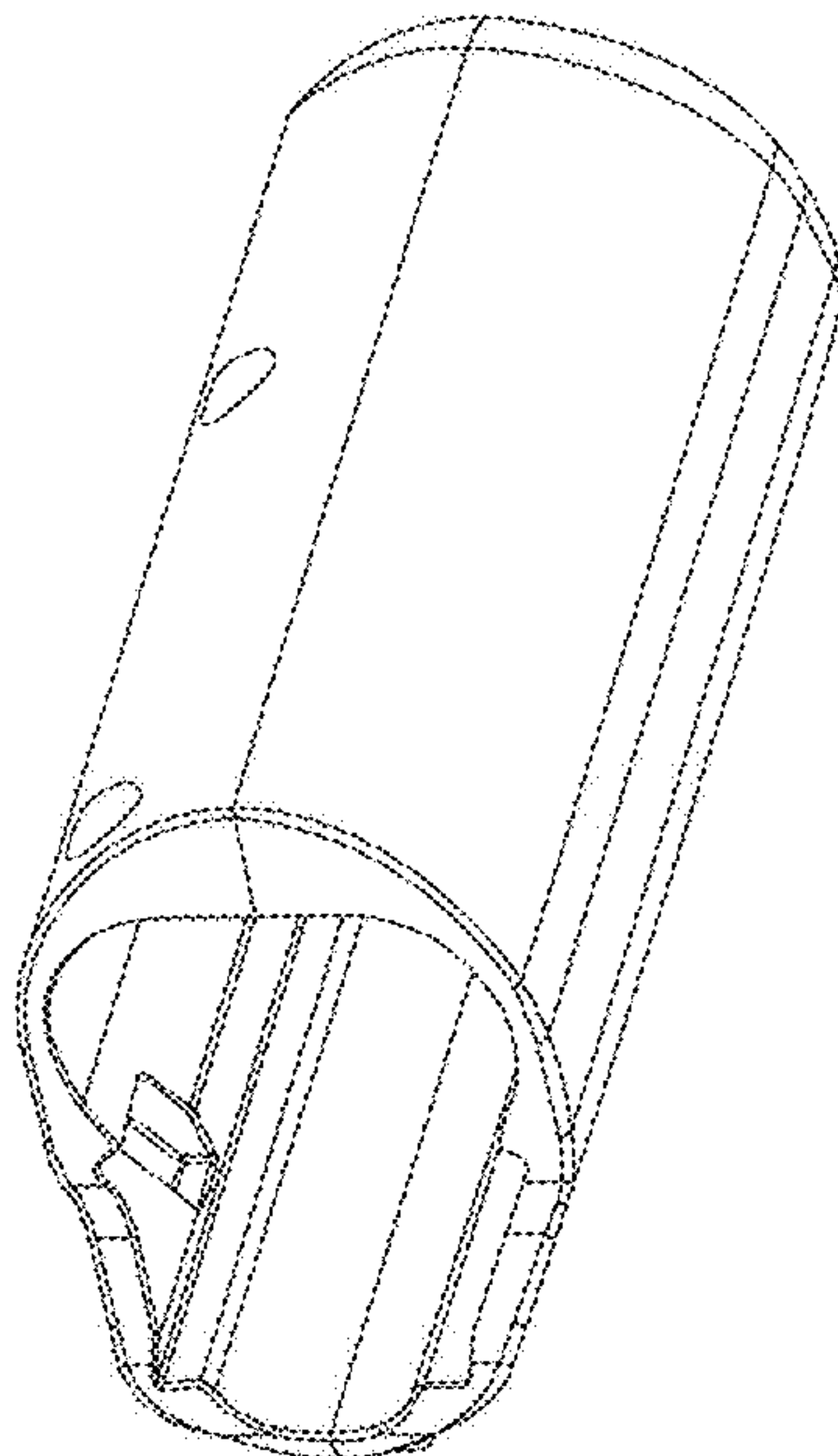


FIG. 1

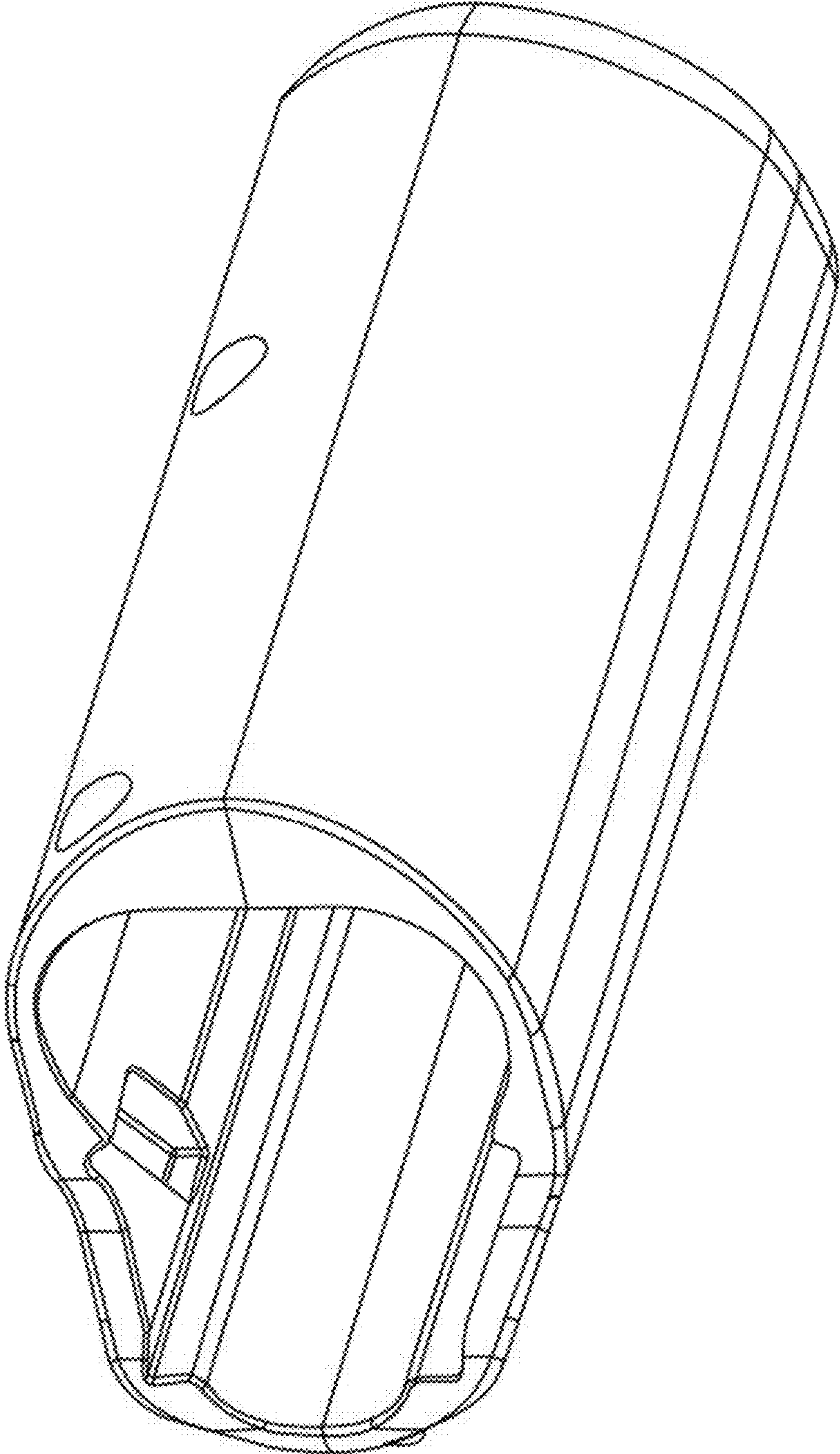


FIG. 2

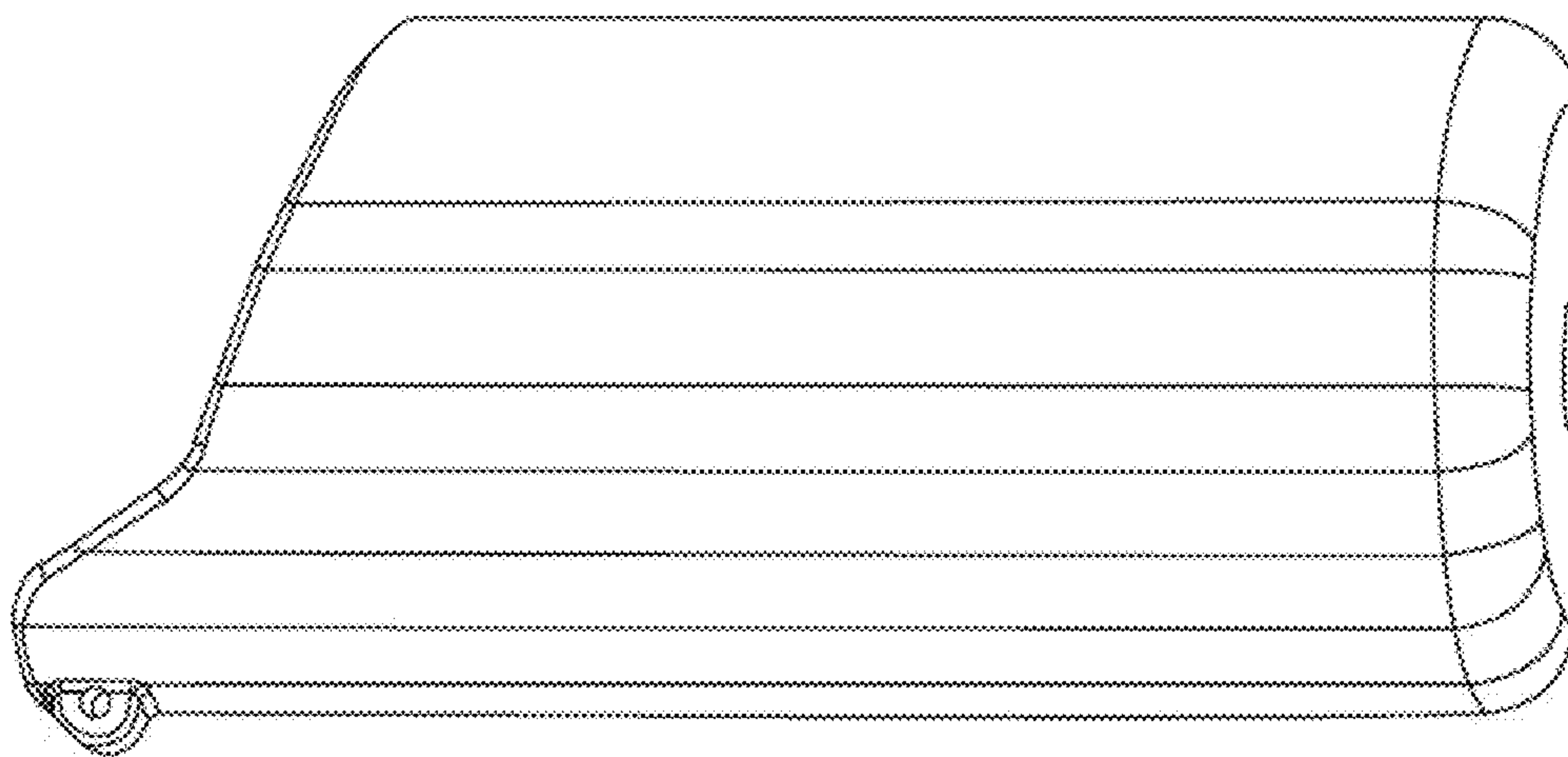


FIG. 3

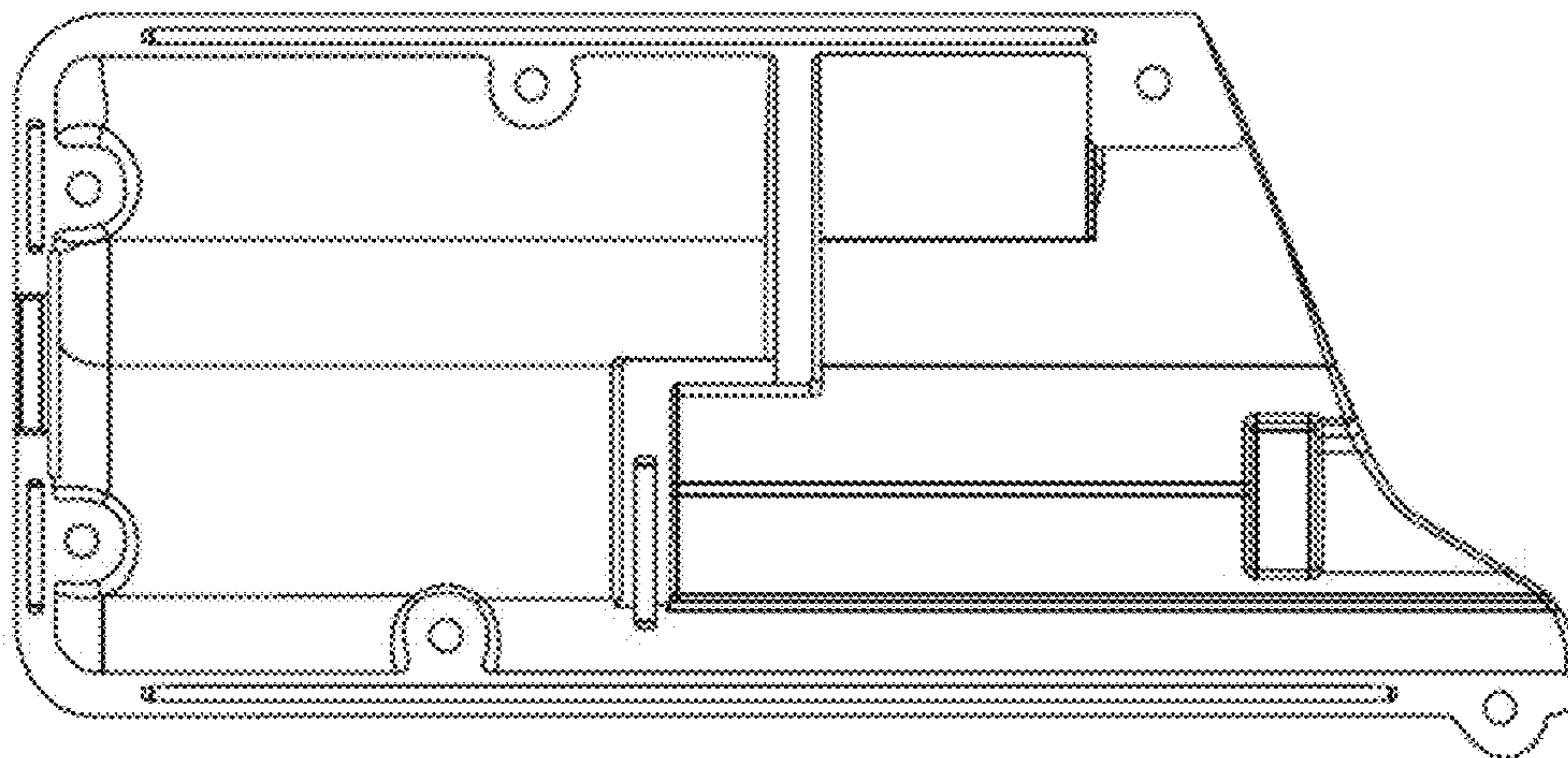


FIG. 4

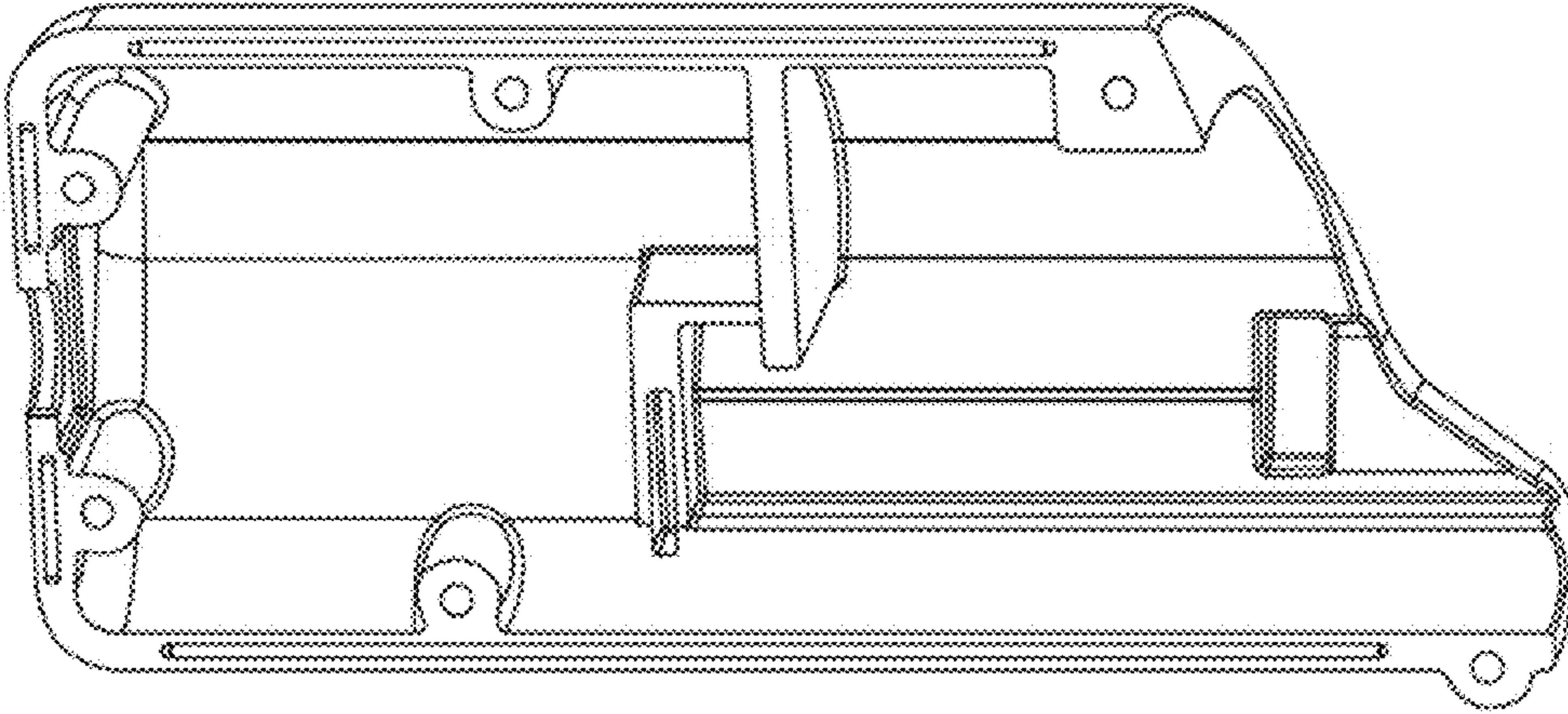


FIG. 5

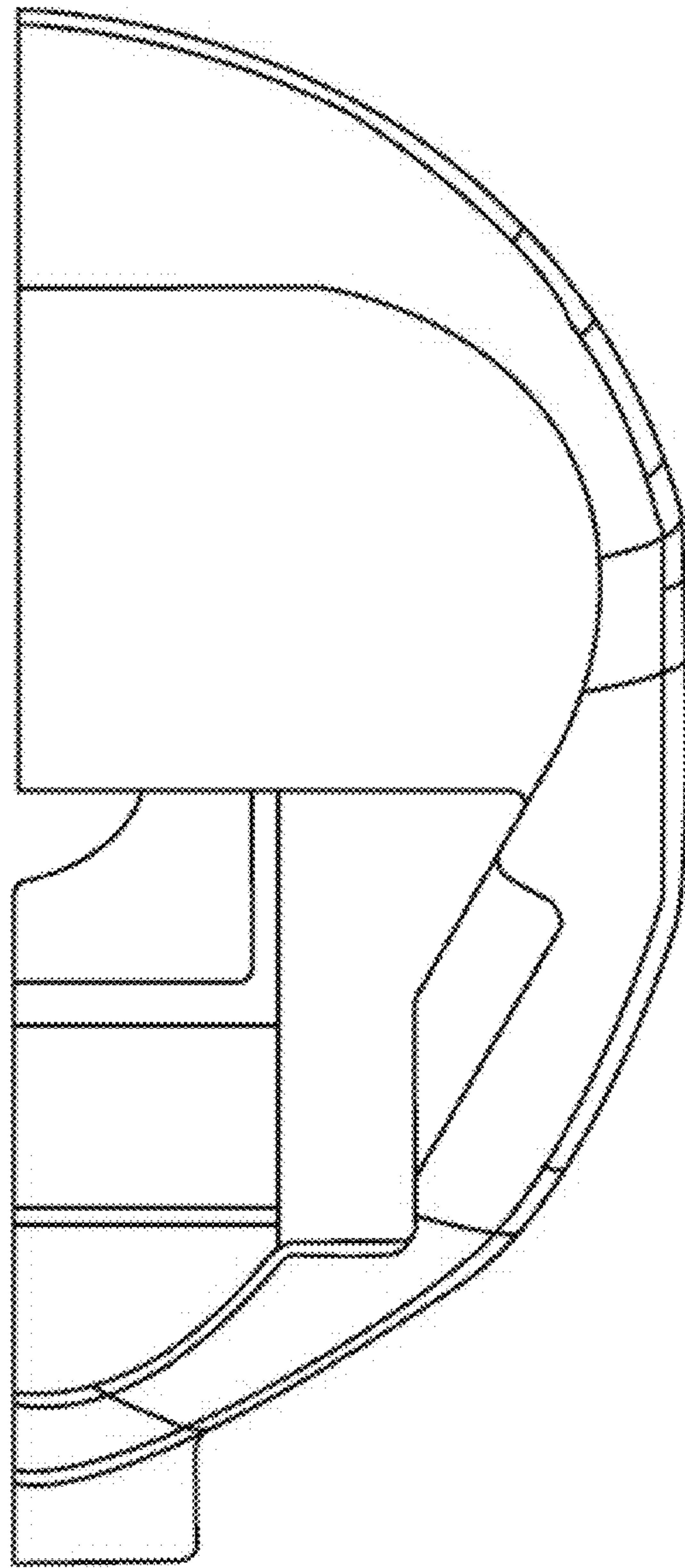


FIG. 6

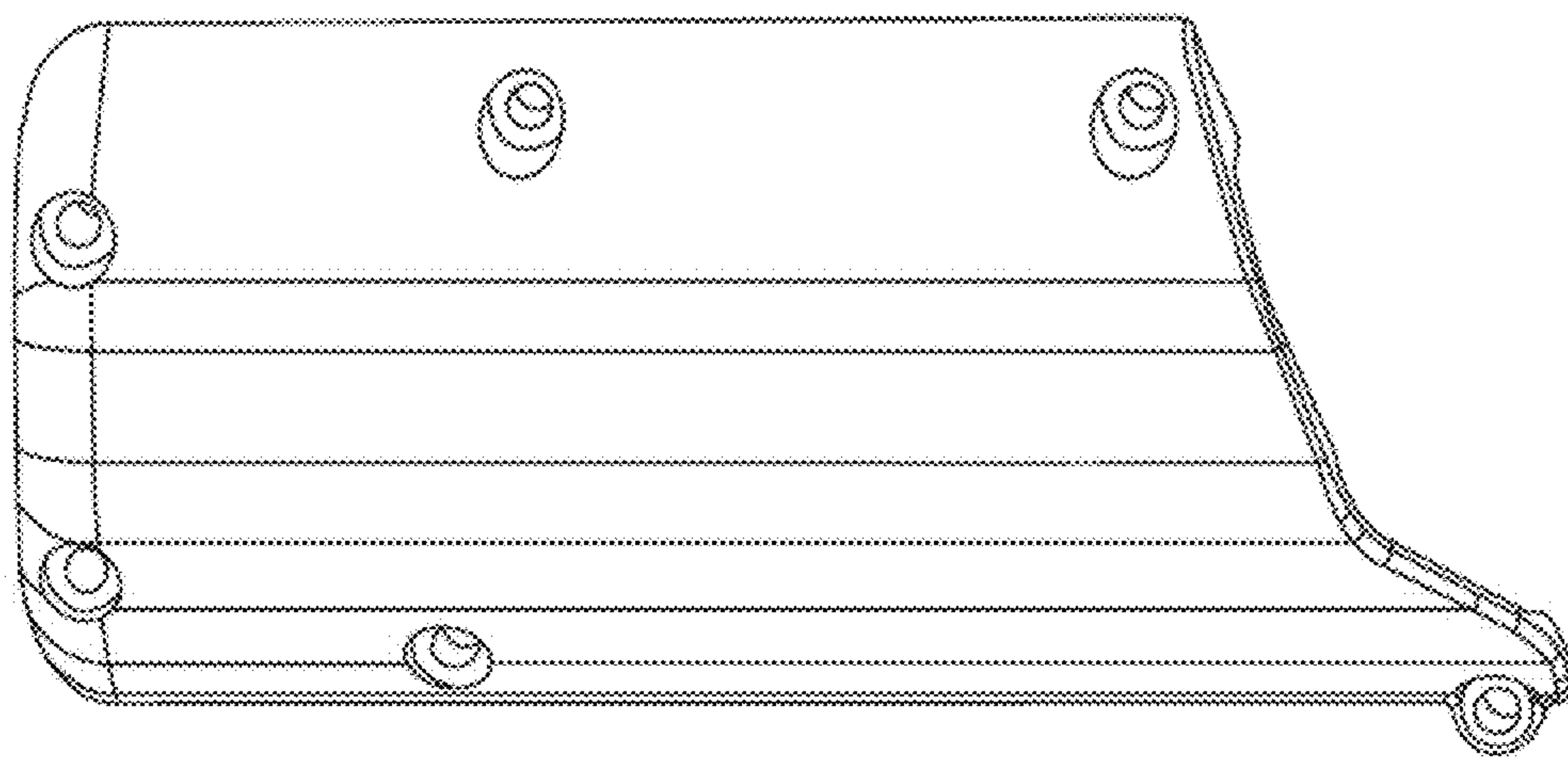


FIG. 7

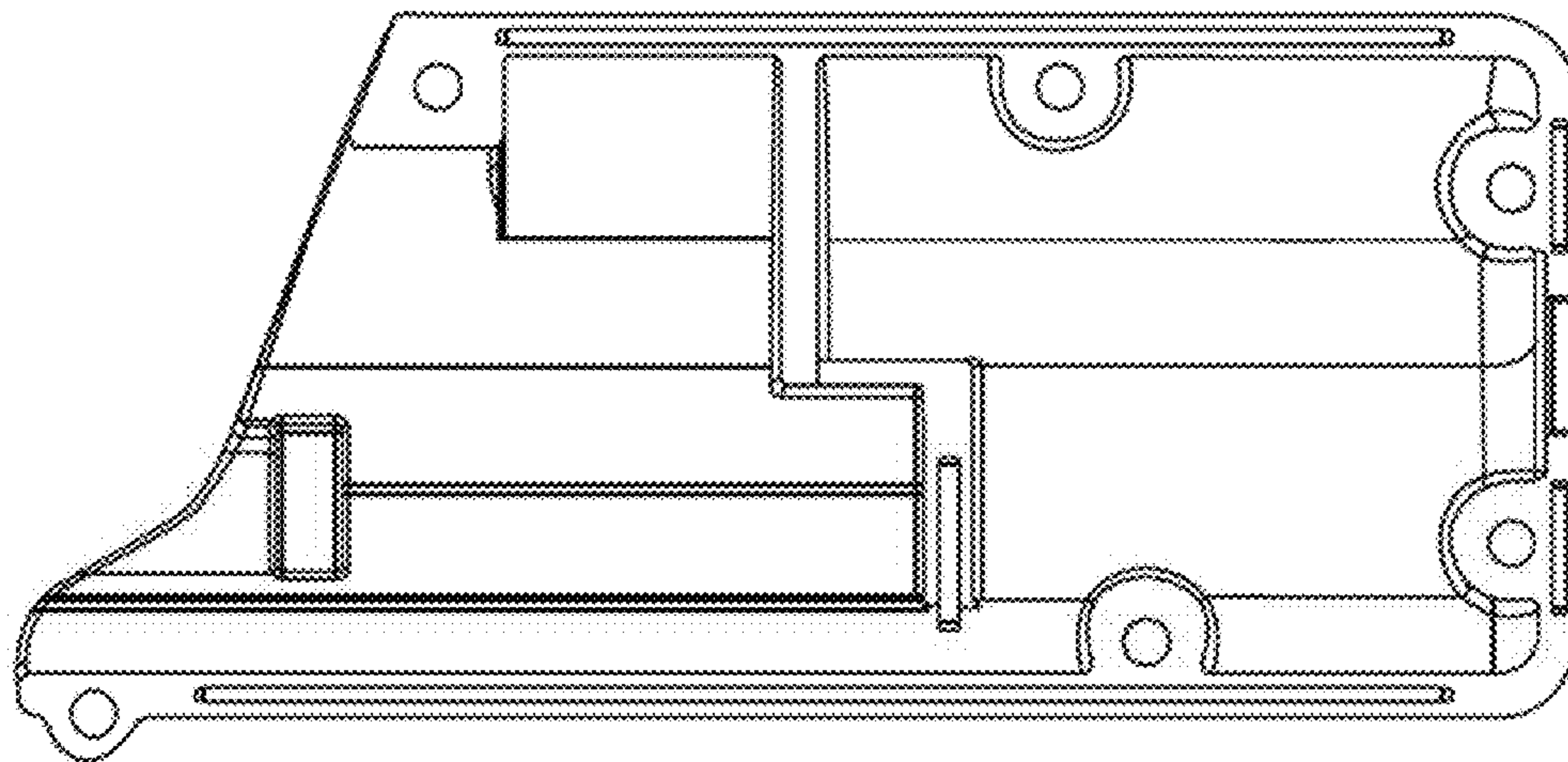


FIG. 8

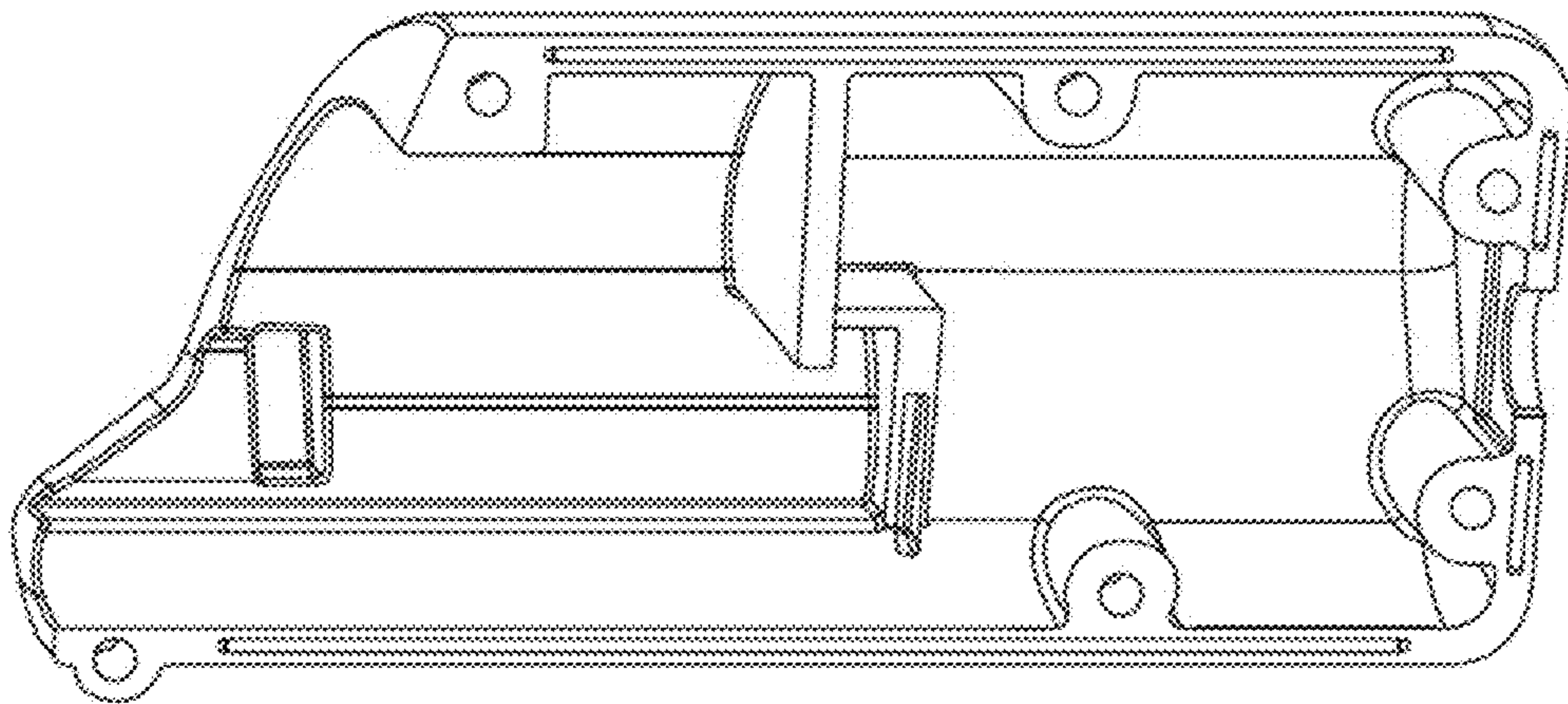


FIG. 9

