

US00D842230S

(12) **United States Design Patent**
Coton et al.

(10) **Patent No.:** **US D842,230 S**

(45) **Date of Patent:** **** Mar. 5, 2019**

(54) **TIRE**

(71) Applicant: **The Goodyear Tire & Rubber Company, Akron, OH (US)**

(72) Inventors: **Philippe Jean-Marie Coton, Habay (BE); Marc Becker, Trier (DE); Georges Gaston Feider, Bettborn (LU)**

(73) Assignee: **The Goodyear Tire & Rubber Company, Akron, OH (US)**

(**) Term: **15 Years**

(21) Appl. No.: **29/605,857**

(22) Filed: **May 31, 2017**

(51) **LOC (11) Cl.** **12-15**

(52) **U.S. Cl.**
USPC **D12/588**

(58) **Field of Classification Search**
USPC D12/586, 587, 588, 589, 590, 600, 601
CPC B60C 11/032; B60C 11/0388
See application file for complete search history.

(56) **References Cited**

U.S. PATENT DOCUMENTS

D370,439 S	6/1996	Feider et al.	D12/141
D448,707 S	10/2001	Maziarka et al.	D12/147
D464,614 S	10/2002	Irimiya	D12/588
D473,513 S	4/2003	Welbes	D12/588
D531,115 S	10/2006	Ikeda	D12/588
D534,484 S	1/2007	Feider et al.	D12/584
D554,053 S	10/2007	Feider et al.	D12/588
D555,081 S	11/2007	Feider et al.	D12/588
D601,085 S	9/2009	Janesh et al.	D12/600
D604,226 S	11/2009	Scheuren	D12/553
D604,229 S	11/2009	Le et al.	D12/582
D609,169 S	2/2010	Feider	D12/588
D609,170 S	2/2010	Feider et al.	D12/588
D619,081 S	7/2010	Nicolas et al.	D12/571

D620,430 S	7/2010	Gillard et al.	D12/600
D647,467 S *	10/2011	Bonhomme	D12/588
D652,785 S *	1/2012	Rittweger	D12/590
D656,087 S *	3/2012	Yokomakura	D12/588
D656,088 S	3/2012	Krier et al.	D12/591
D656,891 S *	4/2012	Yokomakura	D12/588
D661,640 S	6/2012	Krier et al.	D12/588

(Continued)

Primary Examiner — Robert M. Spear

(74) *Attorney, Agent, or Firm* — Robert N. Lipsik

(57) **CLAIM**

The ornamental Design for a tire, as shown and described.

DESCRIPTION

FIG. 1 is a perspective view of a tire showing our new design, it being understood that the pattern repeats uniformly throughout the circumference of the tread;

FIG. 2 is a front elevational view thereof;

FIG. 3 is a right side elevational view thereof; the left side elevational view being identical thereto;

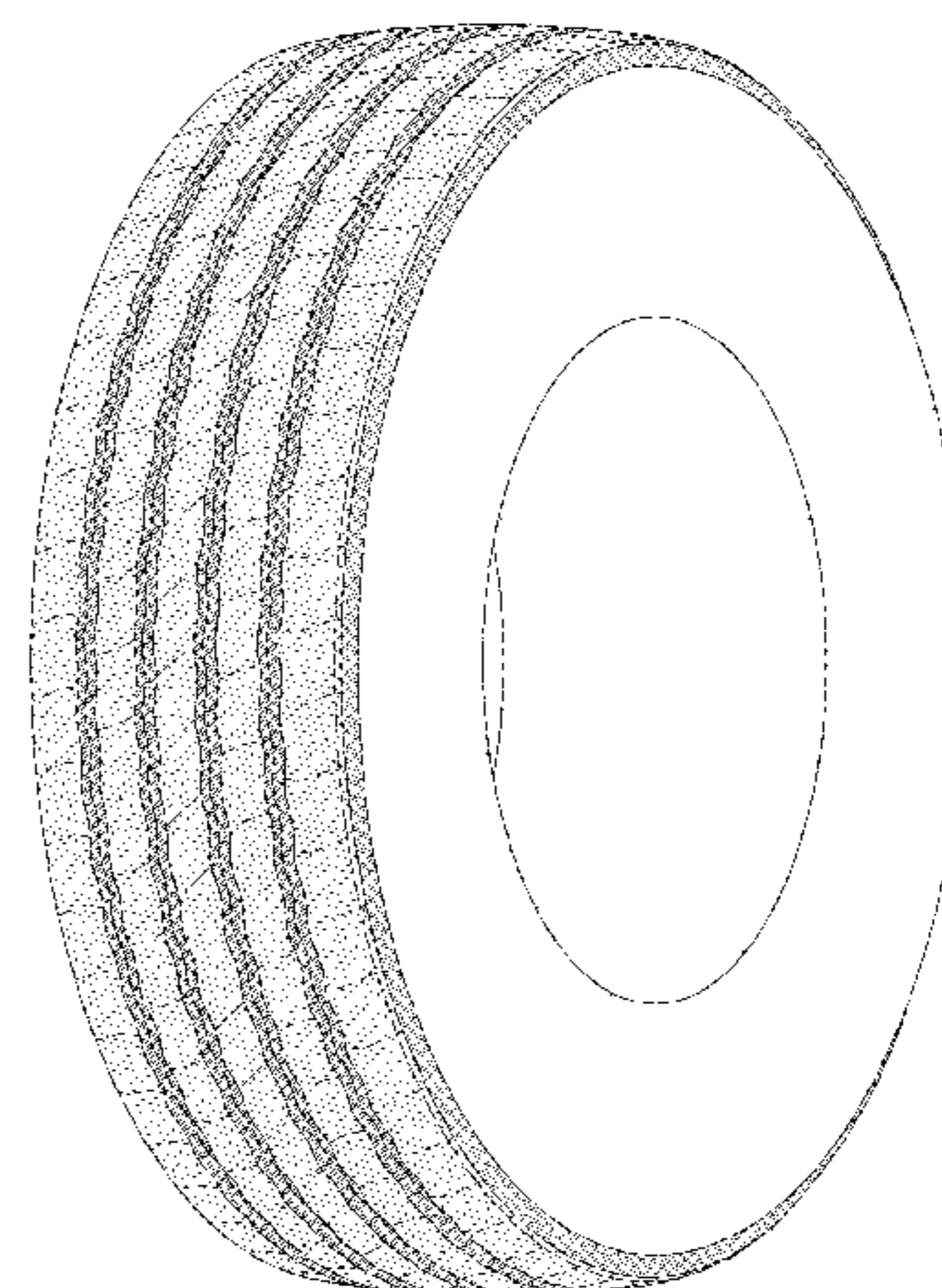
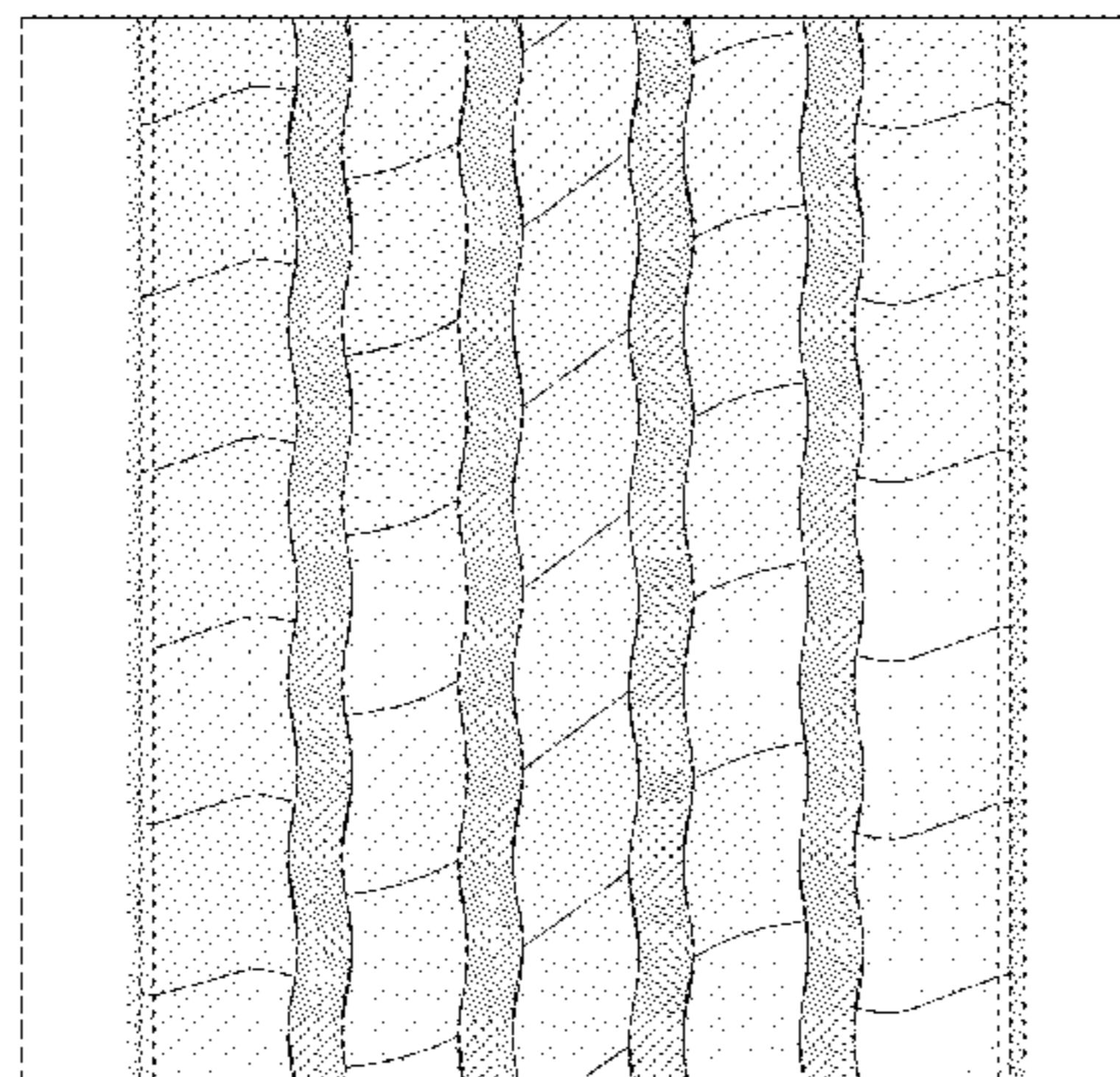
FIG. 4 is an enlarged fragmentary front elevational view thereof;

FIG. 5 is a perspective view of a second embodiment of a tire showing our new design, it being understood that the interior of the tire forms no part of the claim, that the pattern repeats uniformly throughout the circumference of the tread and that the opposite side view is identical thereto; and,

FIG. 6 is a front elevational view of a second embodiment, it being understood that an enlarged fragmentary view thereof would be substantially identical to that shown in FIG. 4, with the exception of the inclusion of the sidewall in the claim.

In the drawings, the broken lines immediately adjacent to the outer edges of the tire shoulder represent boundaries of the claim, and the broken lines depict environmental subject matter only and form no part of the claimed design.

1 Claim, 6 Drawing Sheets



(56)

References Cited

U.S. PATENT DOCUMENTS

D664,913 S	8/2012	Le et al.	D12/521
D667,781 S	9/2012	Georges et al.	D12/588
D668,206 S *	10/2012	Moore	D12/588
D702,180 S	4/2014	Le et al.	D12/588
D709,434 S	7/2014	Kato	D12/521
D730,270 S	5/2015	Krier et al.	D12/584
D739,339 S	9/2015	Nomura et al.	D12/521
D746,222 S	12/2015	Hutz et al.	D12/588
D757,641 S *	5/2016	Kristen	D12/588
D770,371 S	11/2016	Mathonet et al.	D12/601
D772,149 S *	11/2016	Kwak	D12/587
D772,151 S *	11/2016	Kang	D12/588
D772,793 S *	11/2016	Wang	D12/588
D811,992 S *	3/2018	Di-Mauro	D12/588
D821,298 S *	6/2018	Fontaine	D12/590
D823,234 S *	7/2018	Bonko	D12/587
D828,290 S *	9/2018	Reygrobelle	D12/588

* cited by examiner

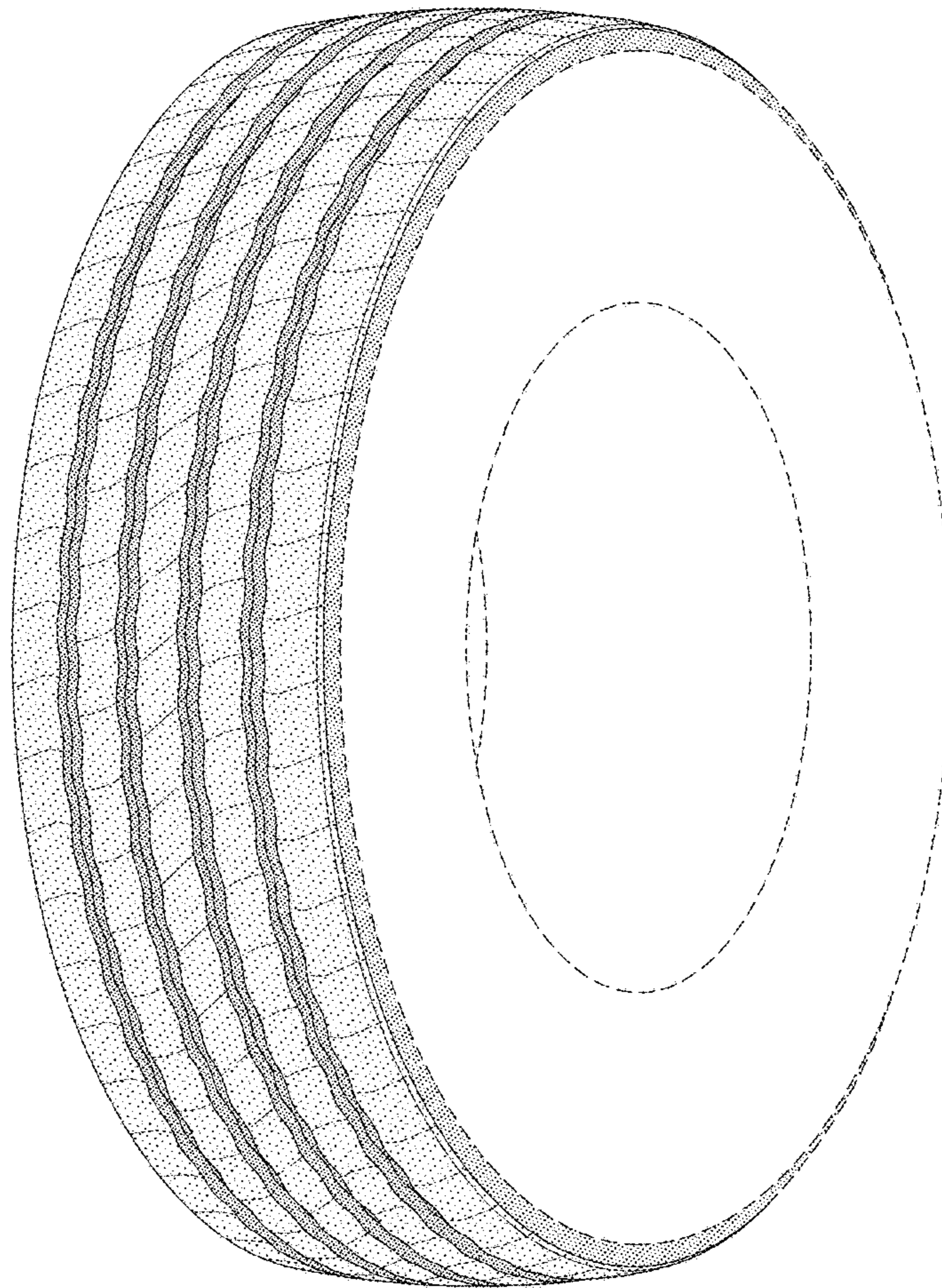


FIG-1

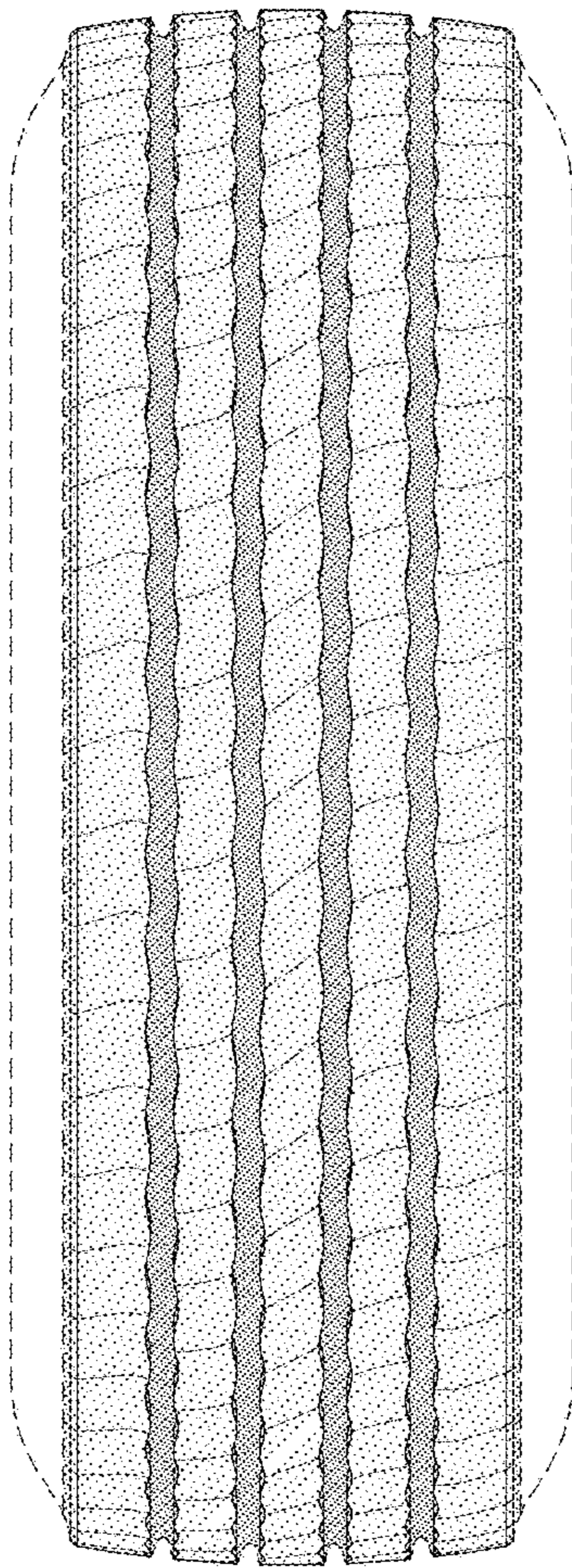


FIG-2

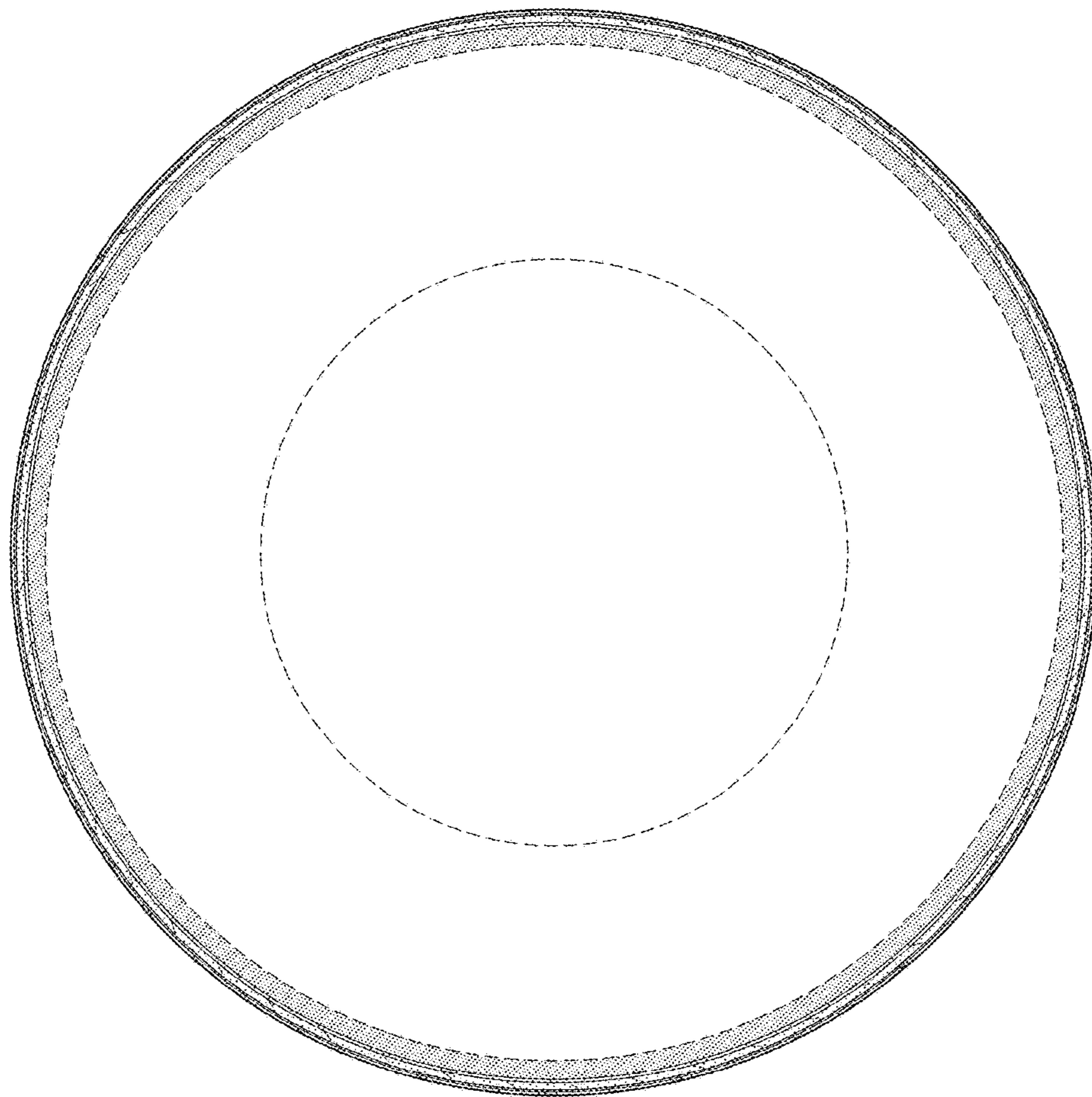


FIG-3

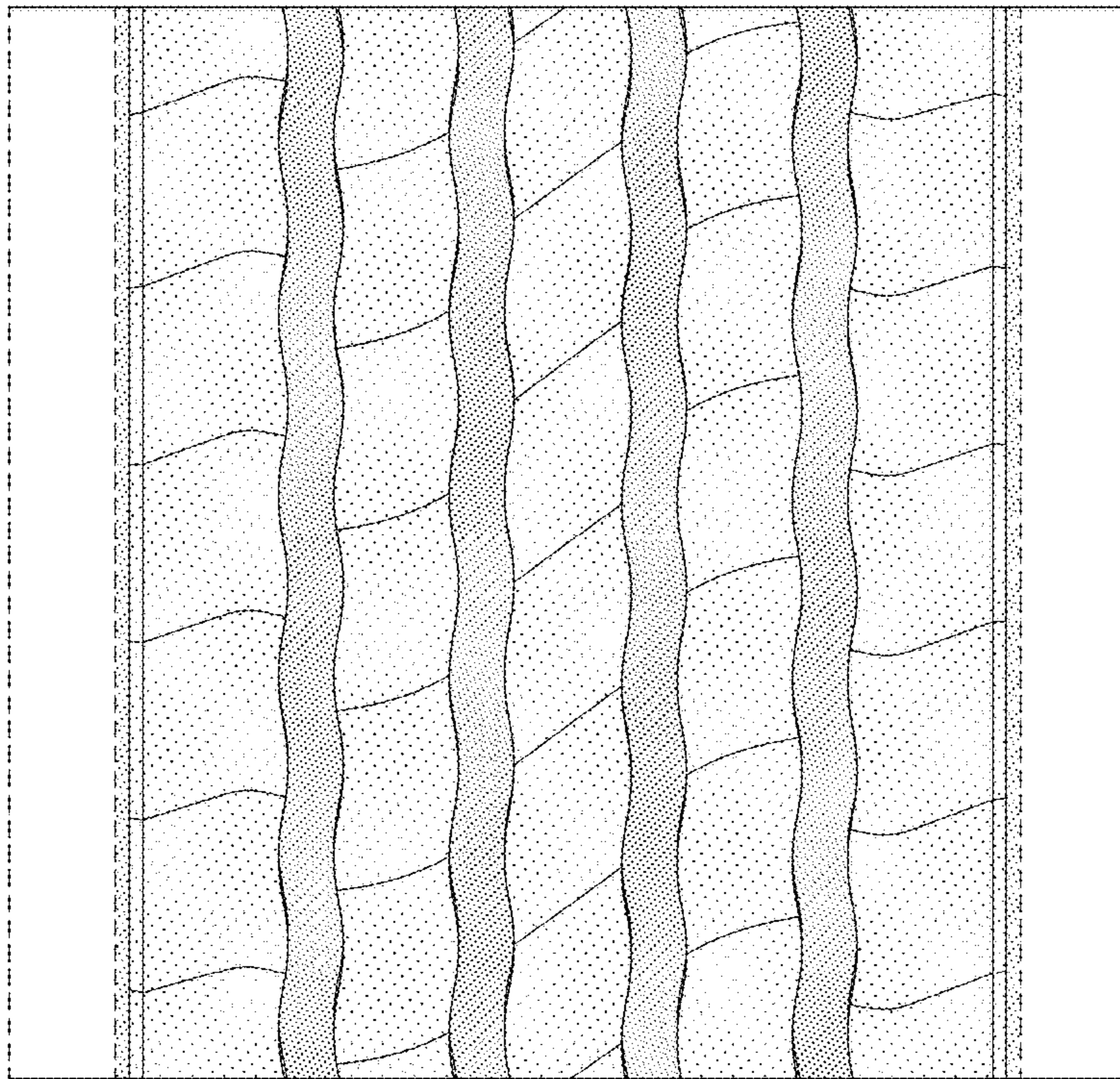


FIG-4

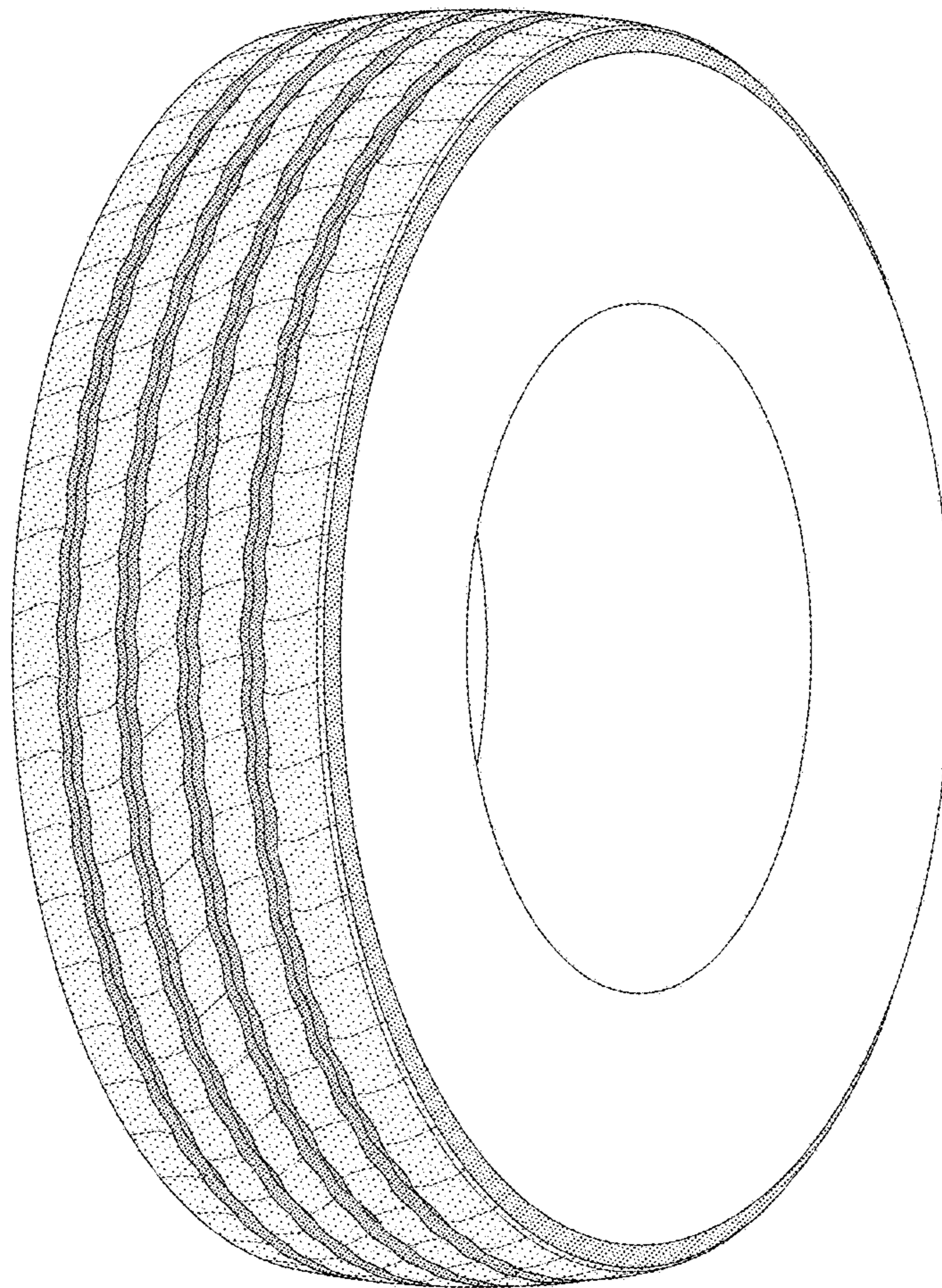


FIG-5

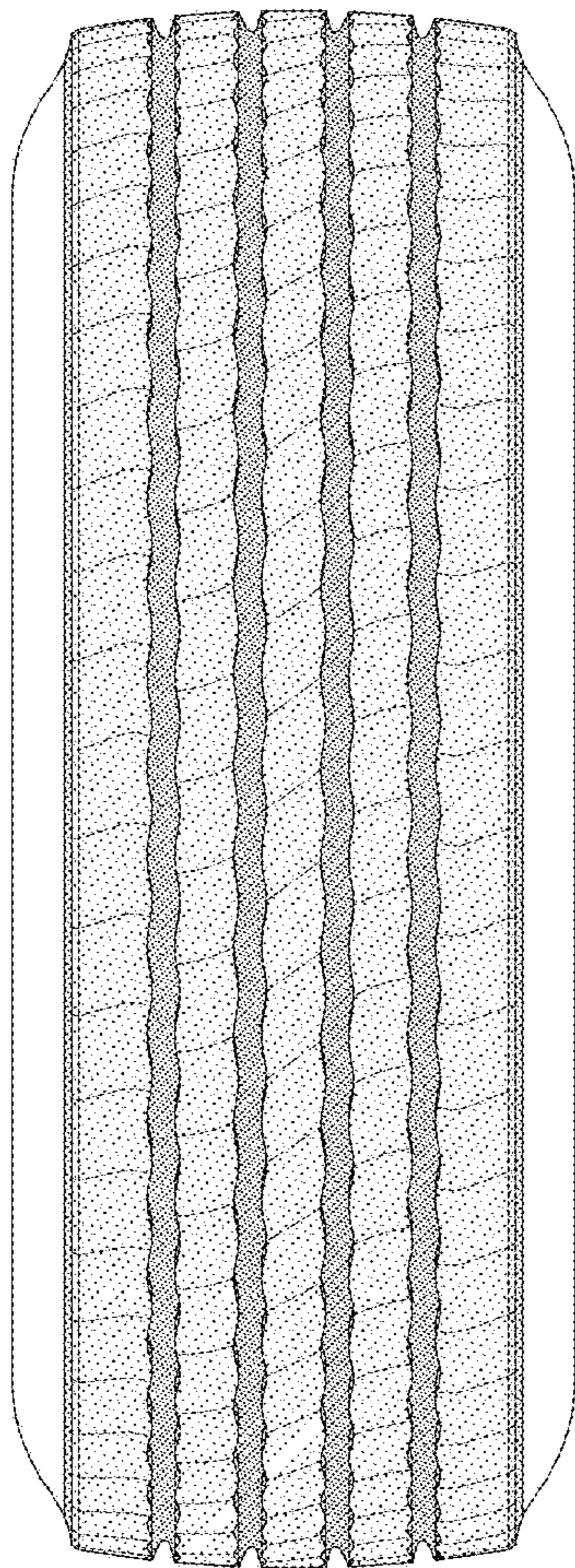


FIG-6