



US00D842219S

(12) **United States Design Patent**
Konduri

(10) **Patent No.:** **US D842,219 S**
(45) **Date of Patent:** **** Mar. 5, 2019**

(54) **STORAGE CONTAINER WITH A SECURING BELT FOR AN AUTOMOBILE**

Primary Examiner — Abraham Bahta
(74) *Attorney, Agent, or Firm* — Invention Mine LLC

(71) Applicant: **Ram Sarma Konduri**, Hanover Park, IL (US)

(57) **CLAIM**

The ornamental design for a storage container with a securing belt for an automobile, as shown and described.

(72) Inventor: **Ram Sarma Konduri**, Hanover Park, IL (US)

(73) Assignee: **Ram Sarma Konduri**, Hanover Park, IL (US)

DESCRIPTION

(**) Term: **15 Years**

(21) Appl. No.: **29/627,753**

(22) Filed: **Nov. 29, 2017**

(51) **LOC (11) Cl.** **12-16**

(52) **U.S. Cl.**
USPC **D12/425**

(58) **Field of Classification Search**
USPC D12/415-419, 191, 106, 96, 400, 195, D12/345, 99; 296/37.1, 37.8, 70, 24.1, 296/24.2, 24.3, 137.1, 97.1, 97.2, 97.4, 296/97.5, 97.6, 97.7, 97.8, 180; 312/246; 224/311, 539, 281, 275; D8/354; D14/451-452; 248/278.1, 274.1, 284.1; D3/319; 160/370.21, 370.23, 370.22
CPC B60R 5/00; B60R 5/04; B60R 7/00; B60R 7/02; A47G 29/00
See application file for complete search history.

FIG. 1 is a perspective view of a first embodiment of a storage container with a securing belt for an automobile; FIG. 2 is a perspective view of a second embodiment of the storage container with the securing belt; FIG. 3 is a perspective view of a third embodiment of the storage container with the securing belt; FIG. 4 is a bottom perspective view of the second embodiment of the storage container of FIG. 2, absent a base; FIG. 5 is a front view of the second embodiment of the storage container of FIG. 2; FIG. 6 is a rear view of the second embodiment of the storage container of FIG. 2; FIG. 7 is a top view of the first and second embodiments of the storage container of FIG. 1 and FIG. 2, respectively; FIG. 8 is a bottom view of the first and second embodiments of the storage container of FIG. 1 and FIG. 2, respectively; FIG. 9 is a right-side view of the first and second embodiments of the storage container of FIG. 1 and FIG. 2, respectively; FIG. 10 is a left-side view of the first and second embodiments of the storage container of FIG. 1 and FIG. 2, respectively; and, FIG. 11 is a perspective view of the securing belt without the storage container, with the securing belt shown separately for ease of illustration.

The broken lines represent environmental subject matter and represent unclaimed portions of the storage container. The broken lines form no part of the claimed design.

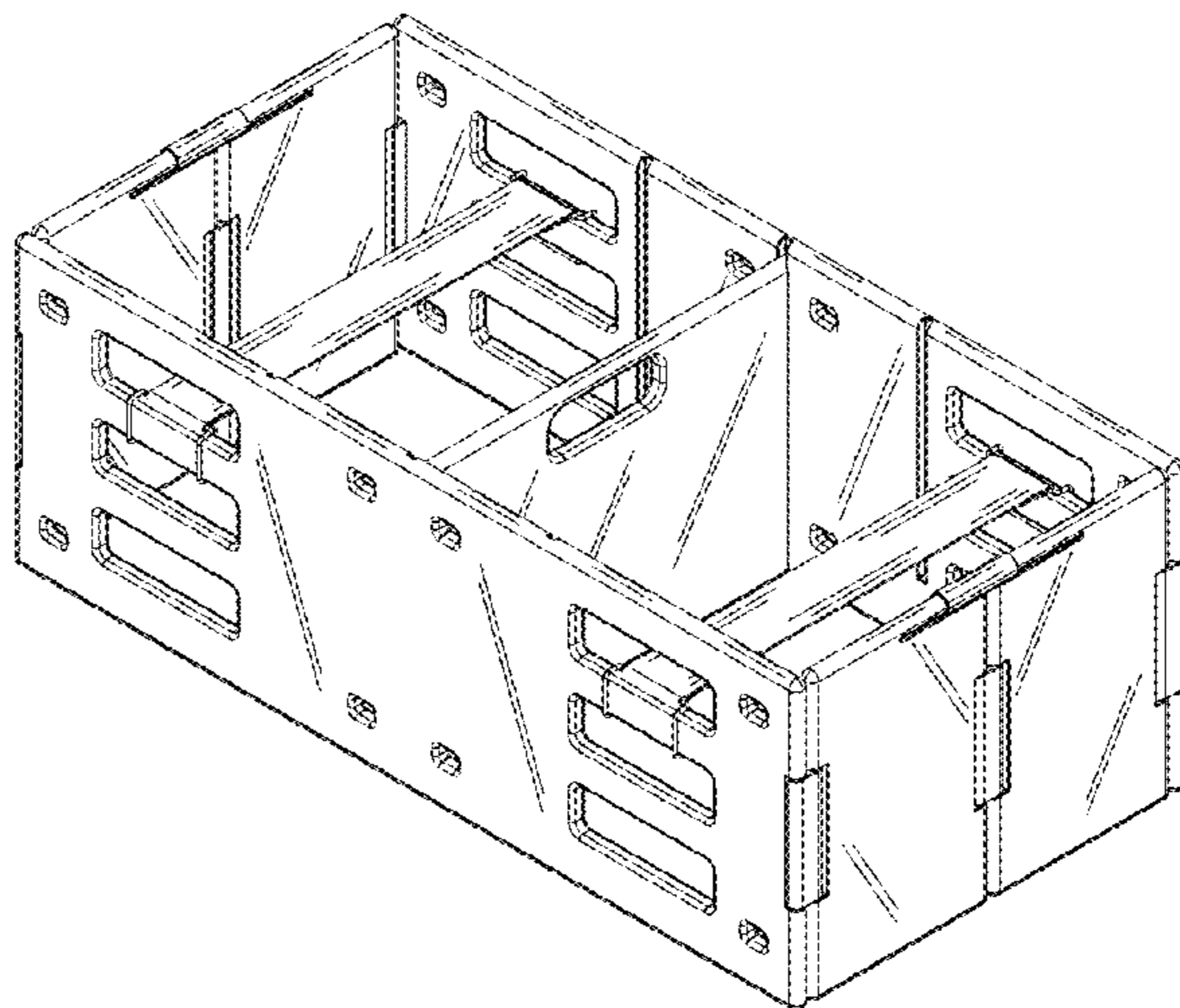
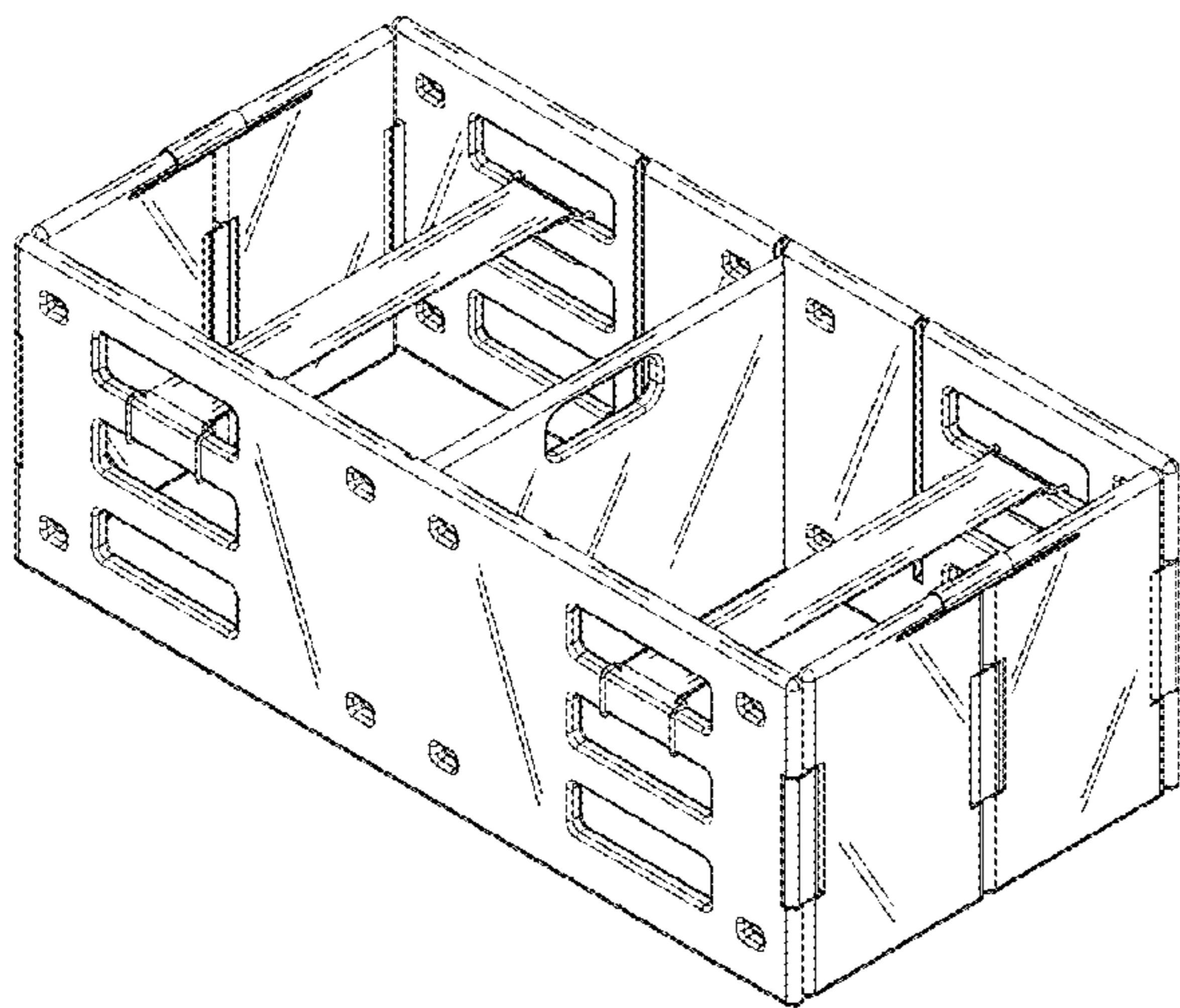
(56) **References Cited**

U.S. PATENT DOCUMENTS

4,884,733	A	12/1989	Geeves	
5,520,316	A	5/1996	Chen	
6,488,168	B1	12/2002	Wang	
D539,036	S *	3/2007	Potts D12/425
D633,296	S *	3/2011	Potts D3/305

(Continued)

1 Claim, 8 Drawing Sheets



(56)

References Cited

U.S. PATENT DOCUMENTS

8,459,489 B2 * 6/2013 Potts A45C 7/0022
220/212
D821,959 S * 7/2018 Baker D12/425
2005/0284906 A1 * 12/2005 Potts B60R 7/02
224/539

* cited by examiner

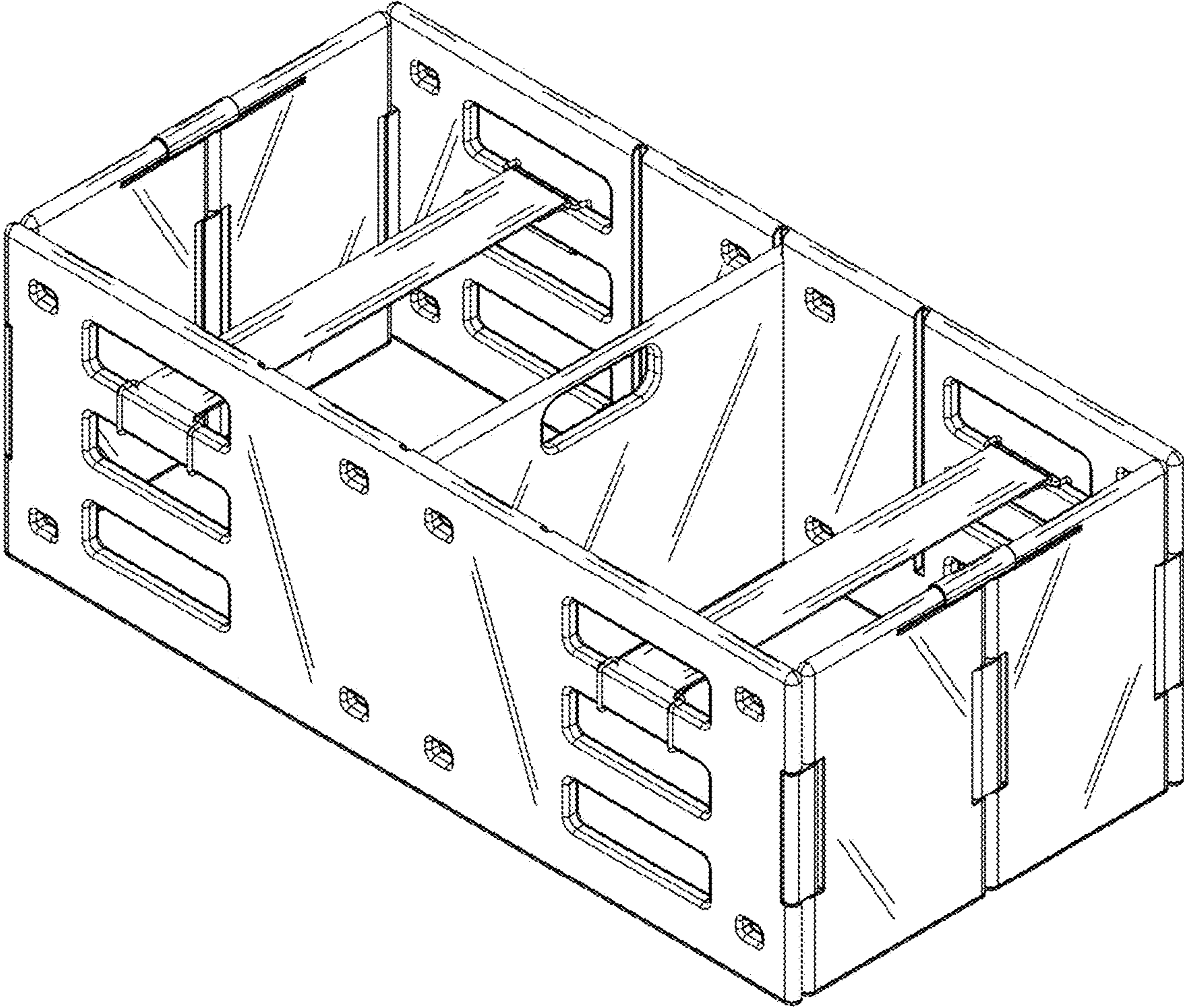


Fig.1

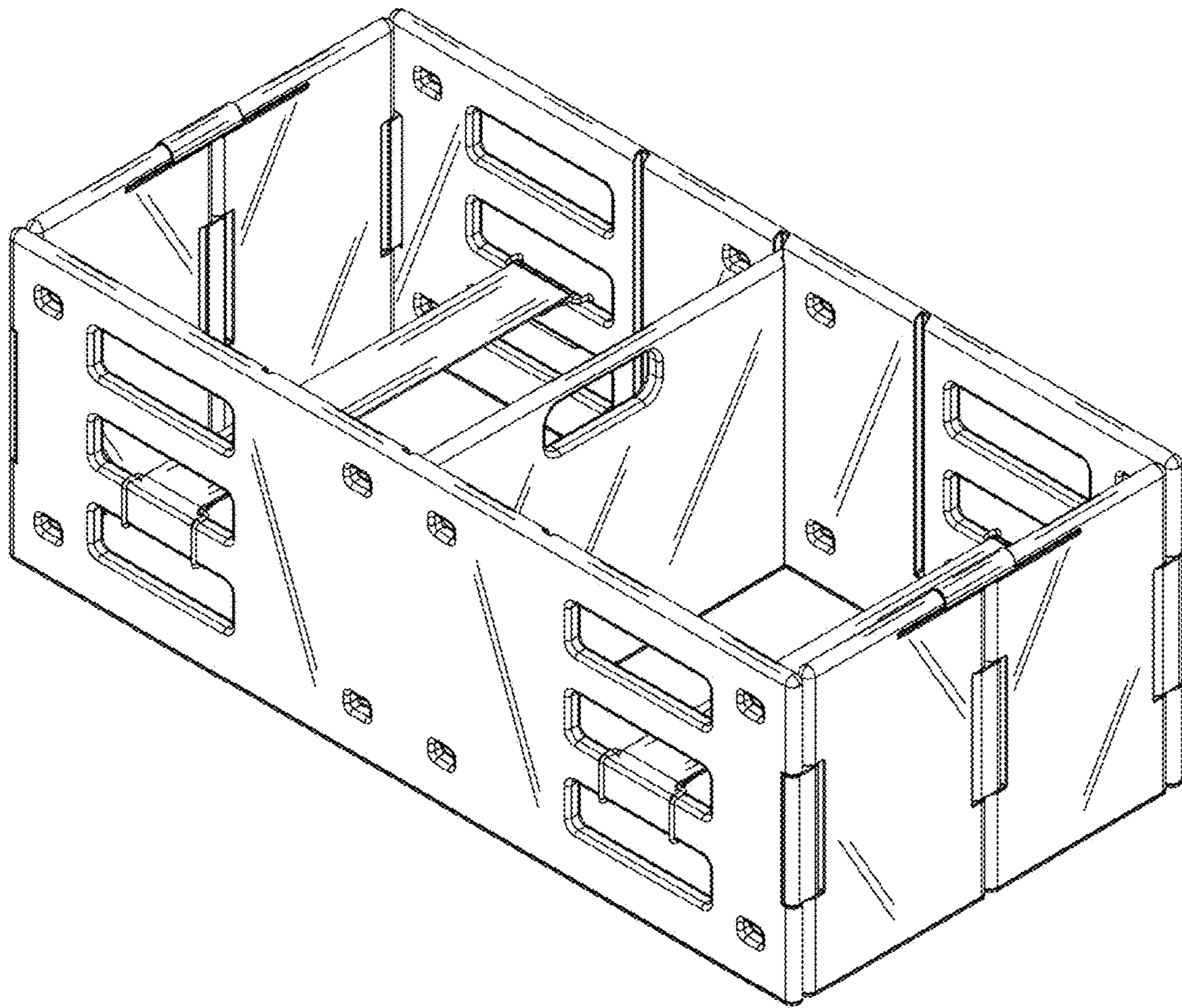


Fig.2

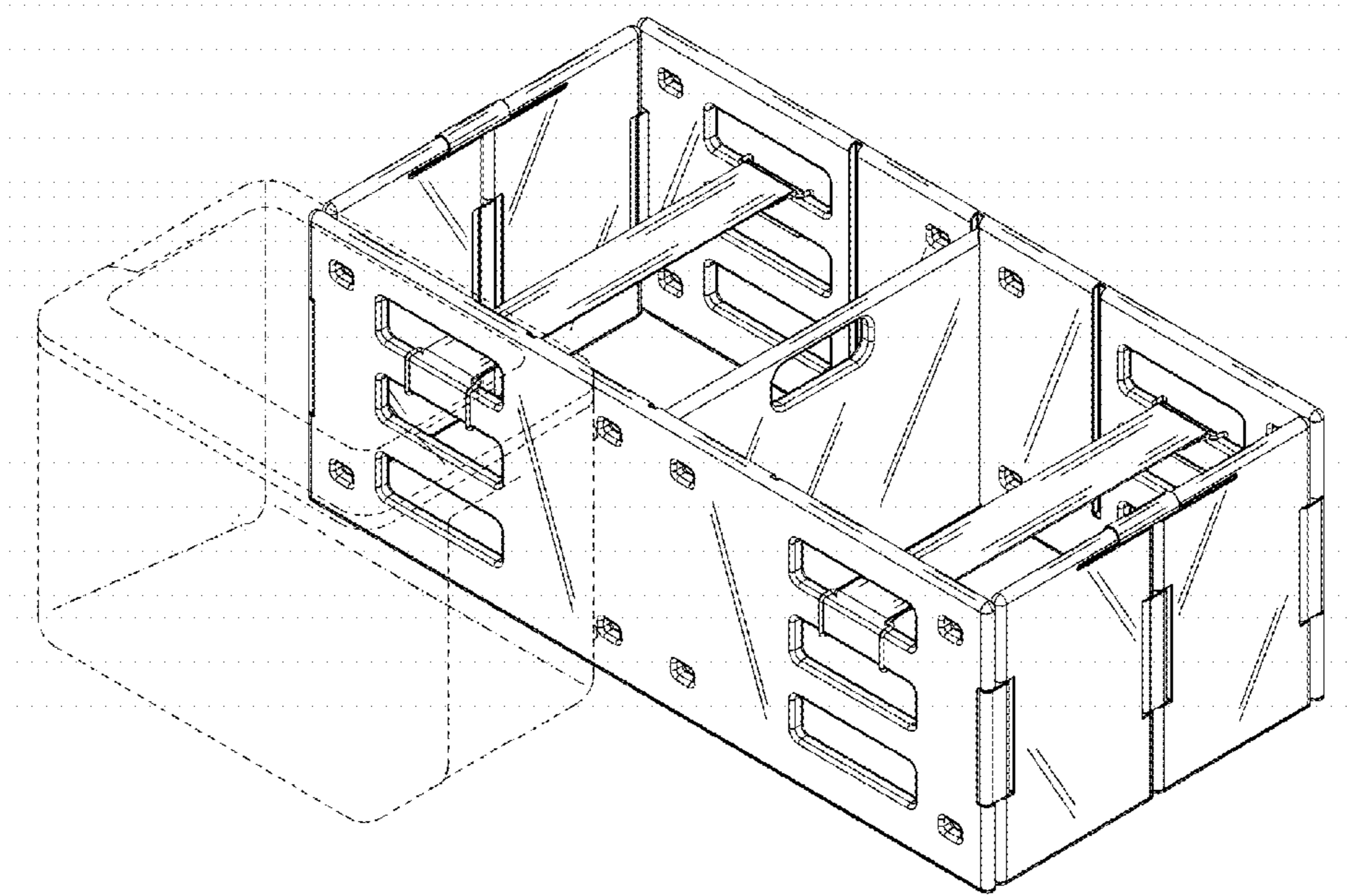


Fig.3

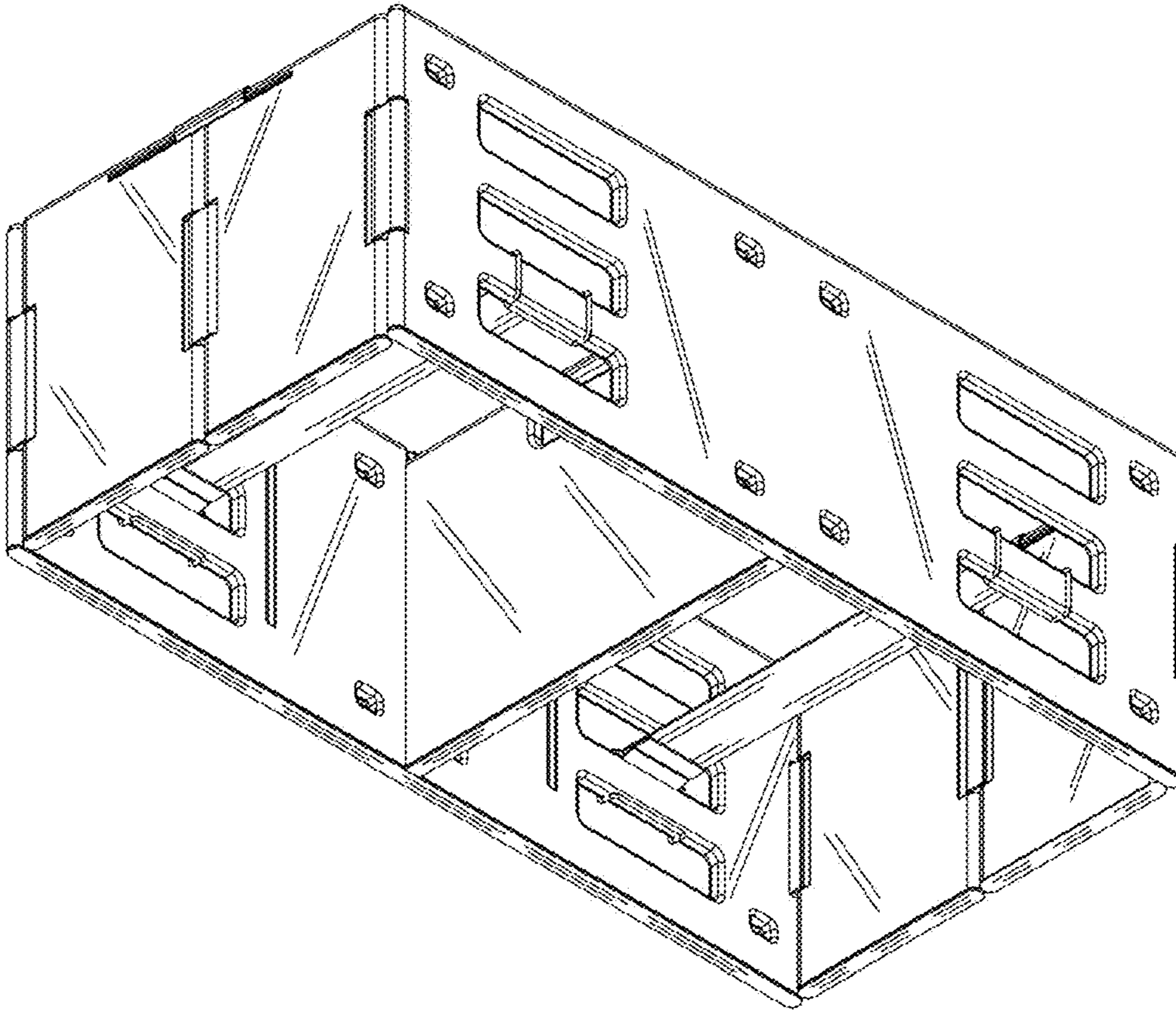


Fig.4

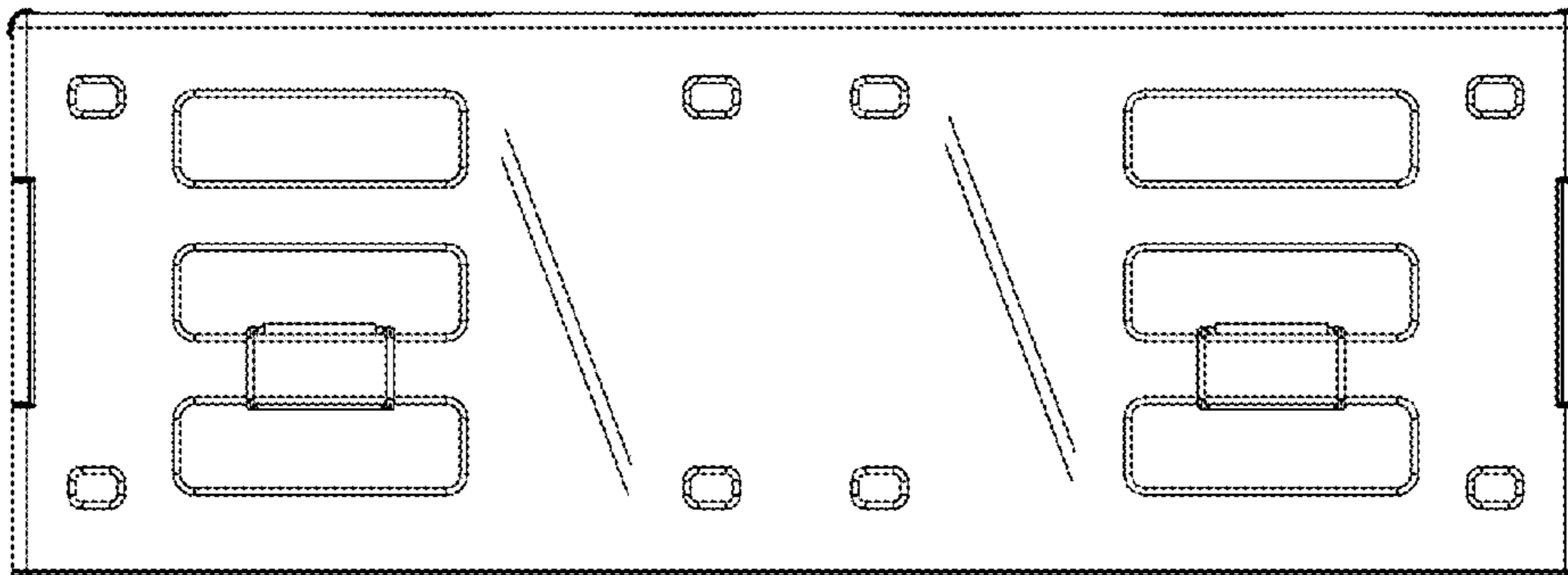


Fig.5

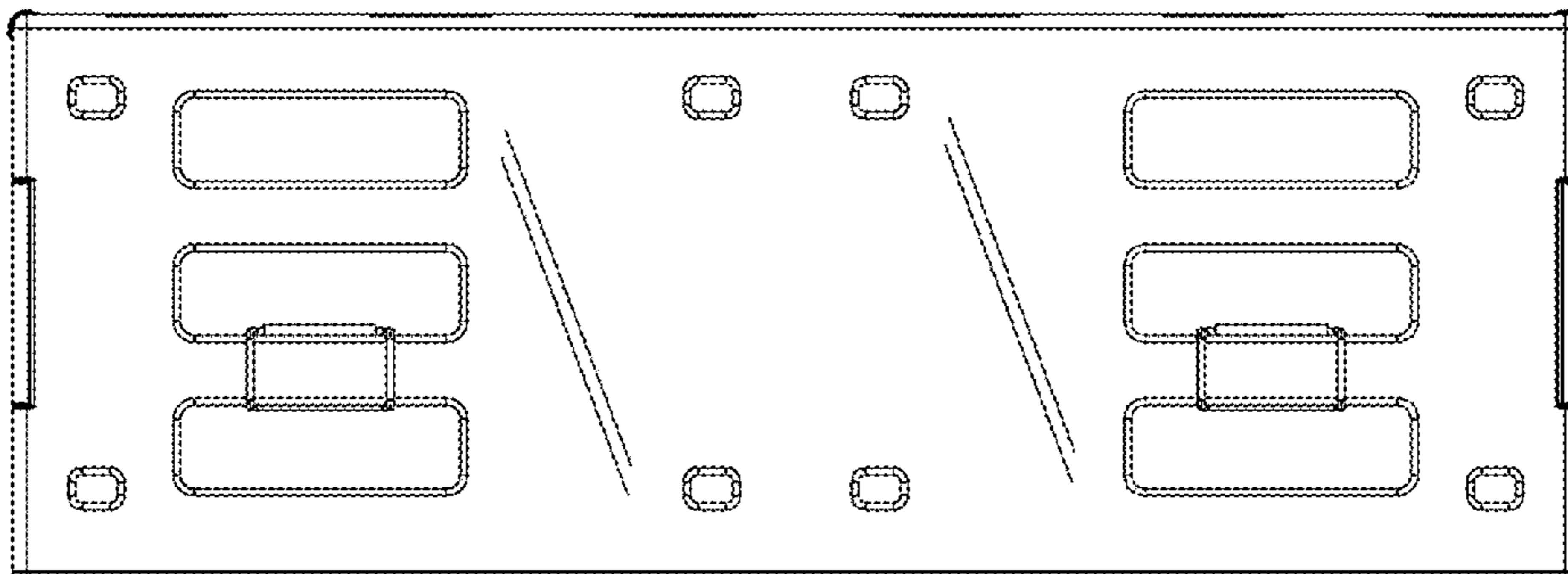


Fig.6

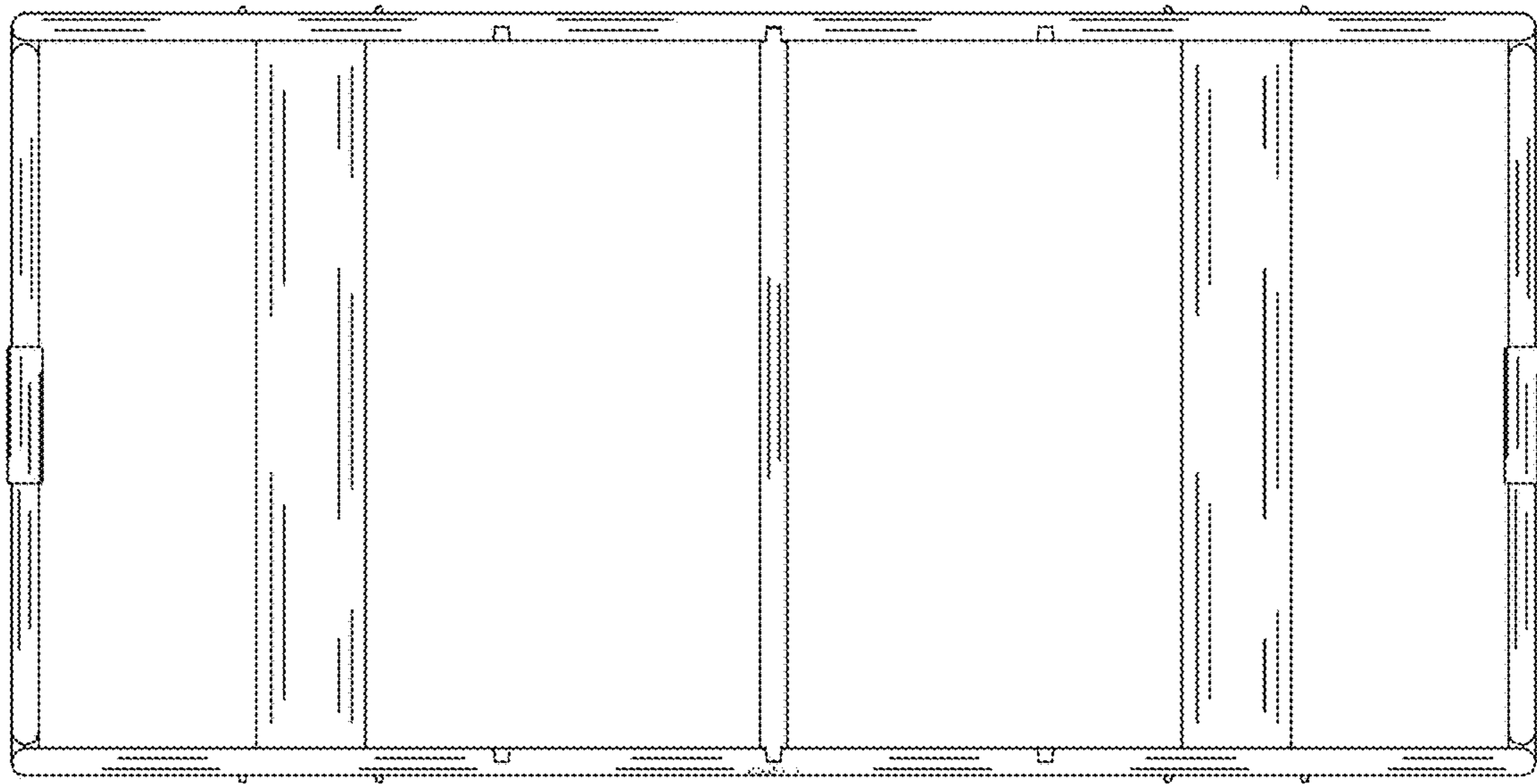


Fig.7

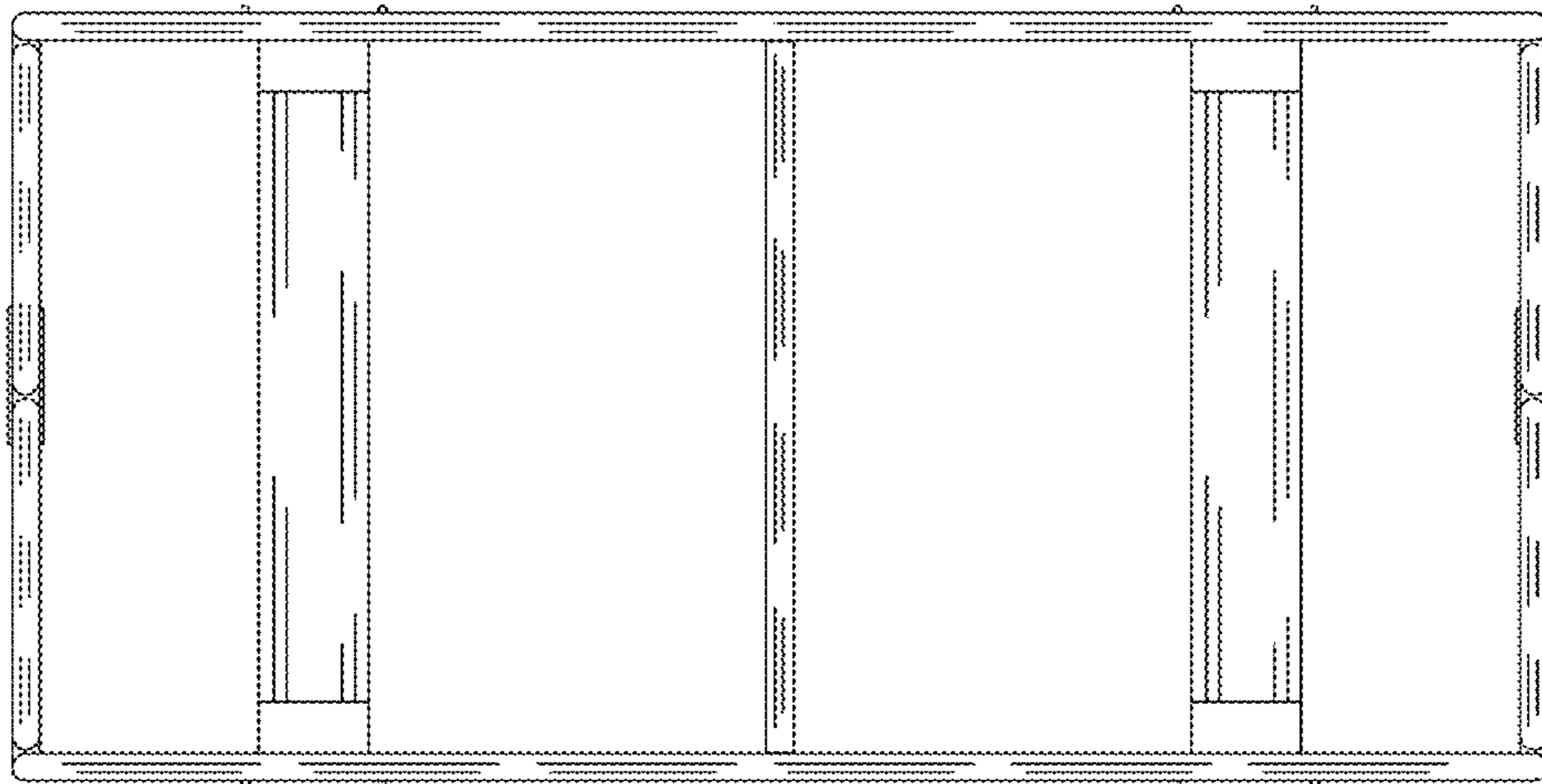


Fig. 8

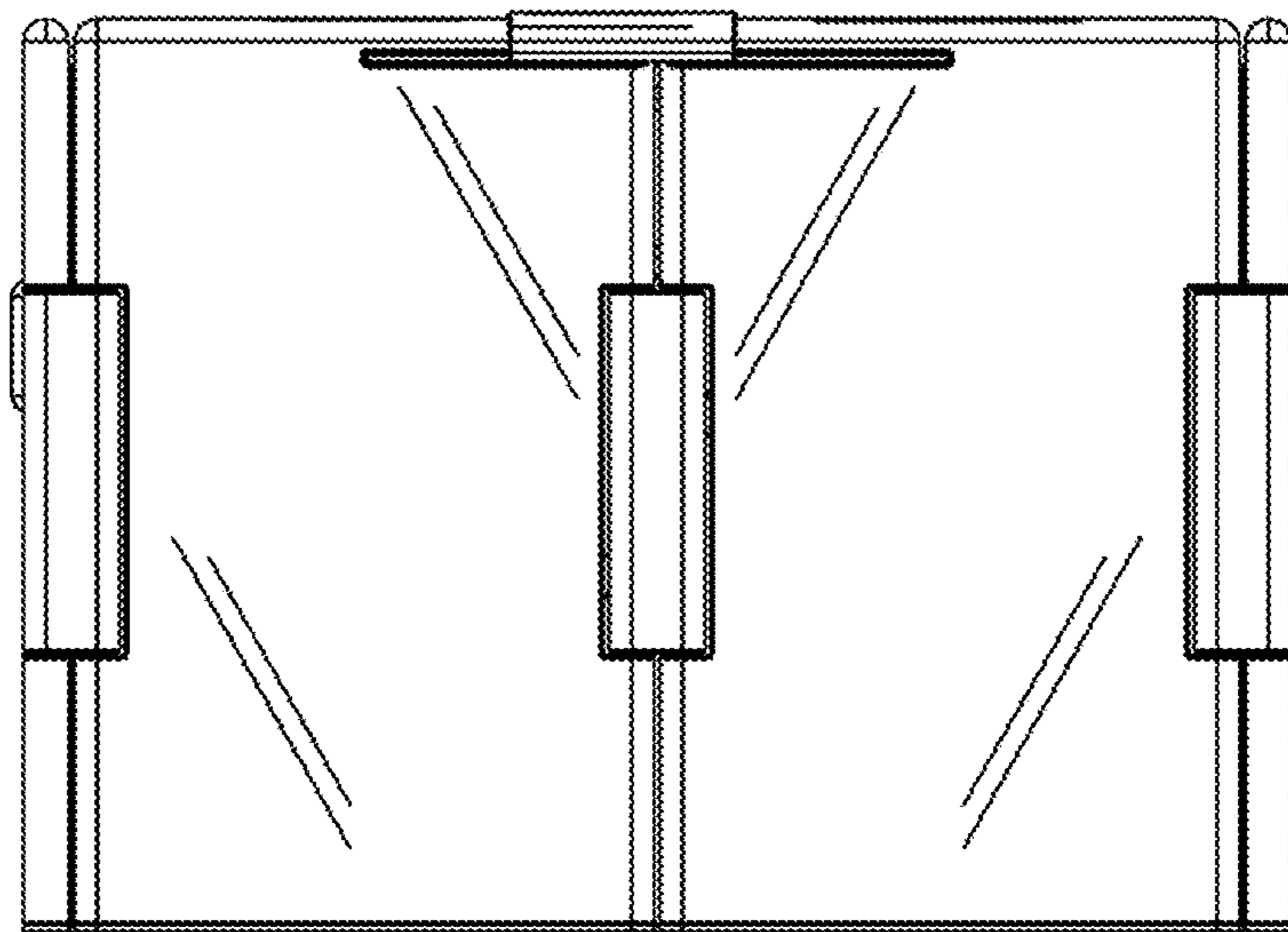


Fig. 9

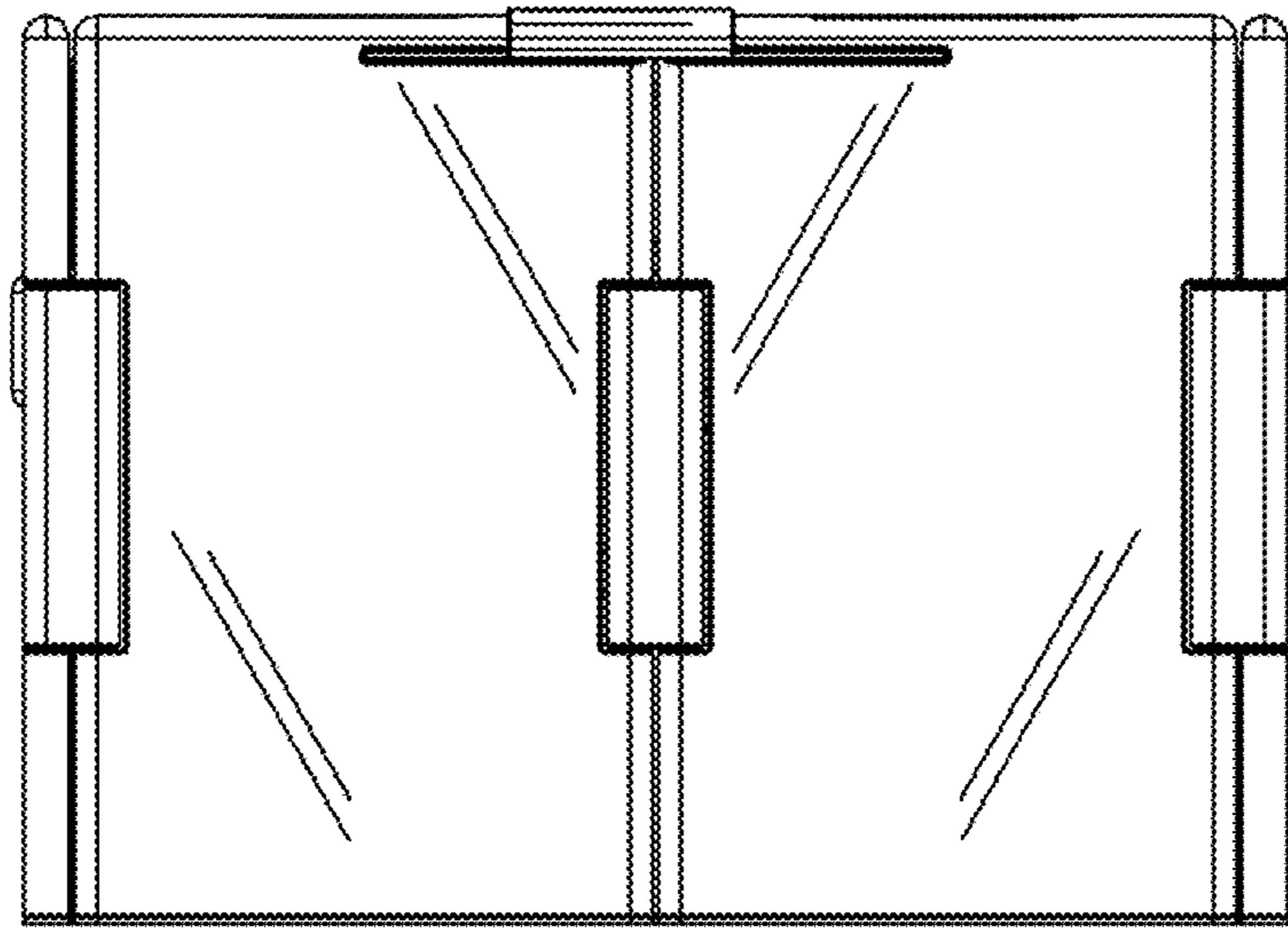


Fig.10

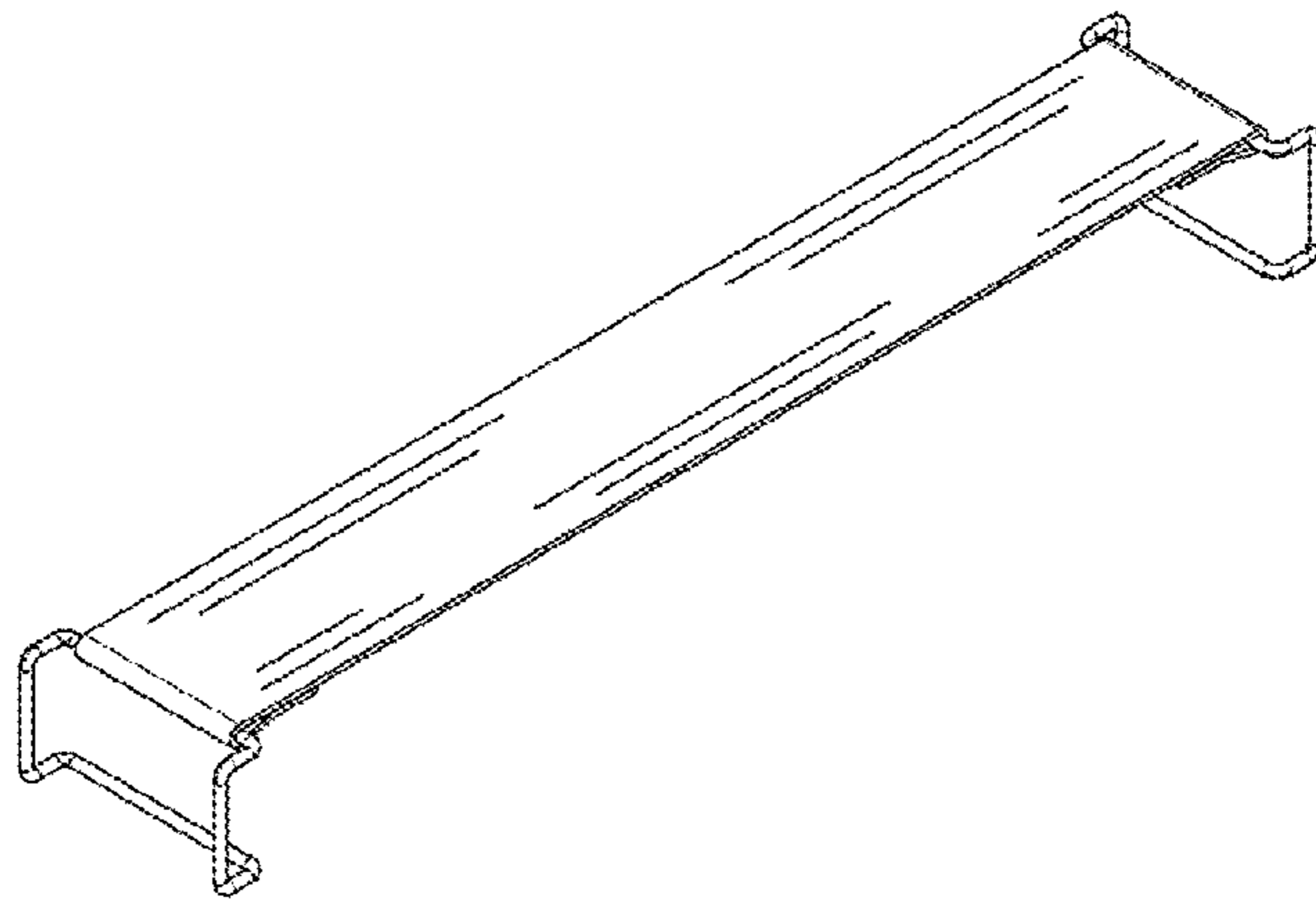


Fig.11