



US00D842218S

(12) **United States Design Patent**  
**Hontz et al.**

(10) **Patent No.:** **US D842,218 S**

(45) **Date of Patent:** **\*\* Mar. 5, 2019**

(54) **CONSOLE**

(71) Applicant: **TIMCO Aviation Services, Inc.**,  
Greensboro, NC (US)

(72) Inventors: **Jeff Hontz**, Greensboro, NC (US); **Sean Lopes**, Greensboro, NC (US)

(73) Assignee: **HAECO Americas, Inc.**, Greensboro, NC (US)

(\*\*) Term: **15 Years**

(21) Appl. No.: **29/618,978**

(22) Filed: **Sep. 26, 2017**

(51) **LOC (11) Cl.** ..... **12-16**

(52) **U.S. Cl.**  
USPC ..... **D12/419**

(58) **Field of Classification Search**  
USPC ..... D12/192, 415-426; 296/37.1, 37.8,  
296/37.13, 70, 24.3; 280/752, DIG. 5;  
224/42.11, 926, 540-542; 180/190  
CPC .... B60R 7/00; B60R 7/04; B60R 7/08; B60R  
7/06; B60K 35/00; B60K 37/00; B60K  
37/02; B60K 37/04; B64D 11/06; B64D  
11/0007  
See application file for complete search history.

(56) **References Cited**

**U.S. PATENT DOCUMENTS**

D294,136 S \* 2/1988 Eide ..... D12/419  
D308,131 S \* 5/1990 Marcantonio ..... D12/419

D432,076 S \* 10/2000 Stickles ..... D12/419  
D541,209 S \* 4/2007 Castator ..... 296/24.34  
D724,521 S \* 3/2015 Ashley ..... D12/419  
D741,248 S \* 10/2015 Boss ..... D12/422  
D764,386 S \* 8/2016 Ahn ..... D12/419  
D787,423 S \* 5/2017 Lin ..... D12/415

\* cited by examiner

*Primary Examiner* — Abraham Bahta

(74) *Attorney, Agent, or Firm* — MacCord Mason PLLC

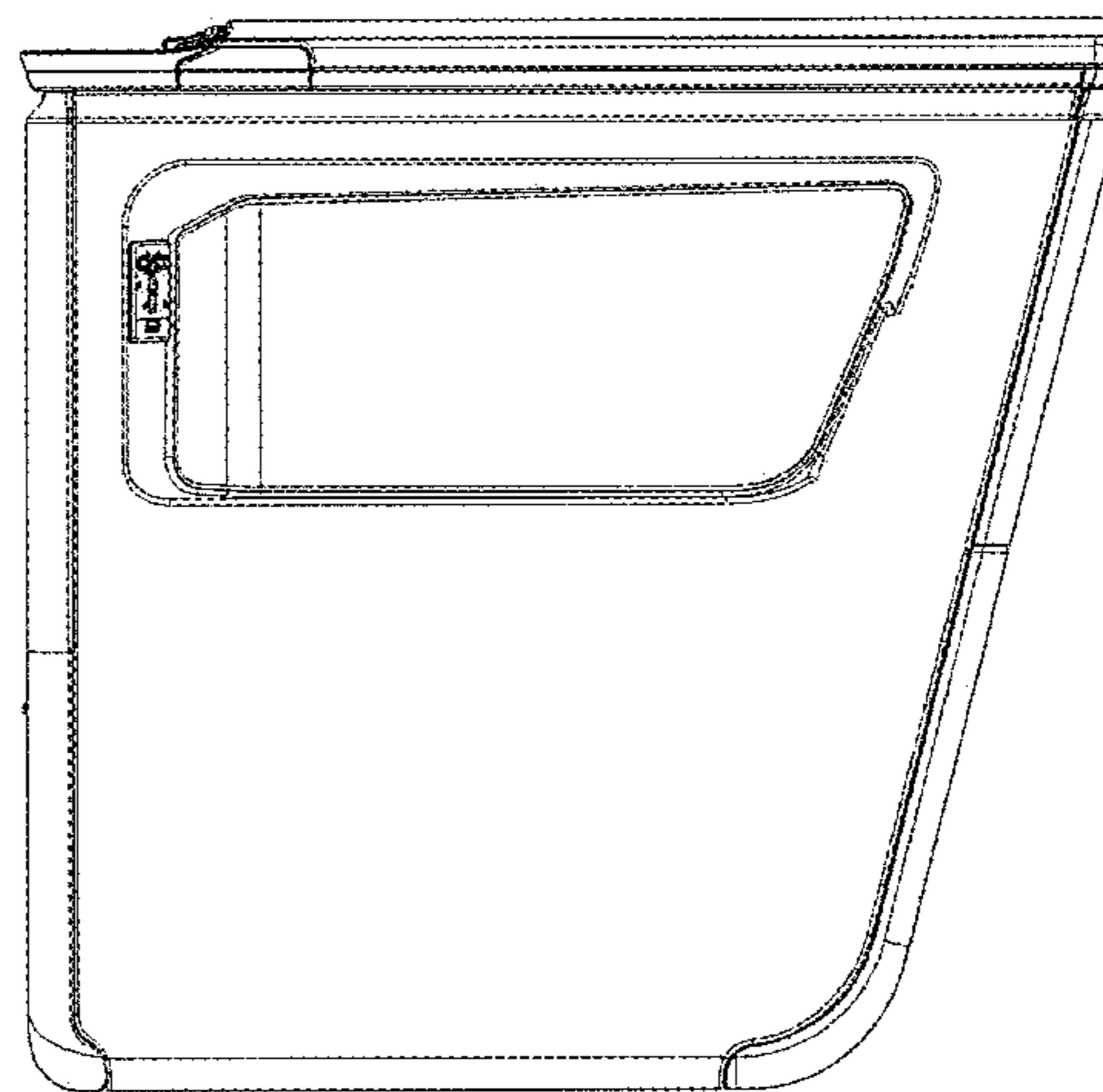
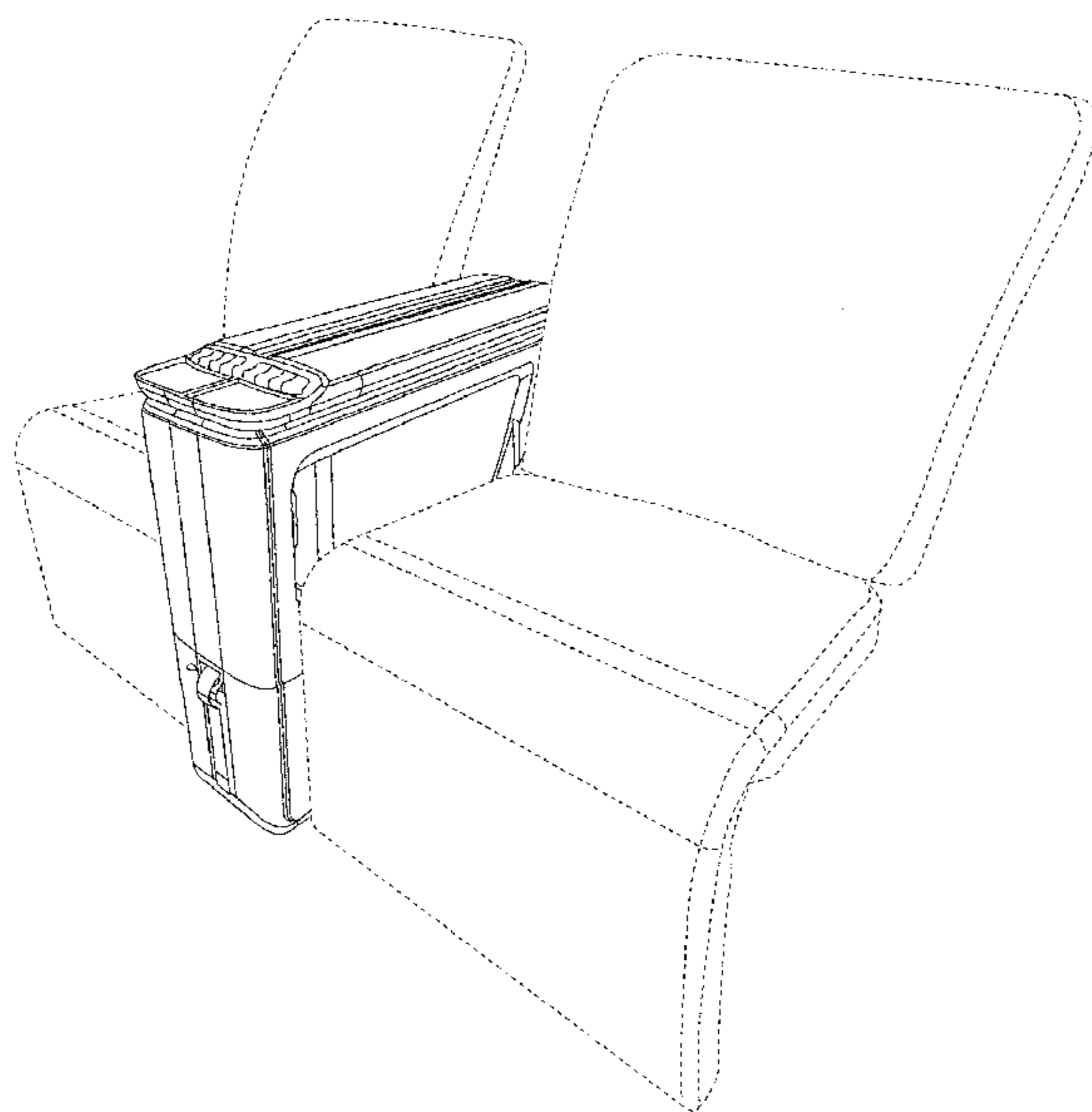
(57) **CLAIM**

The ornamental design for a console, as shown and described.

**DESCRIPTION**

FIG. 1 is a front perspective view of a console showing my new design;  
FIG. 2 is a front elevation view thereof;  
FIG. 3 is a back elevation view thereof;  
FIG. 4 is a left side elevation view, the opposite side being a mirror image thereof; and,  
FIG. 5 is a top plan view thereof.  
The objects shown in dotted lines depict environment and form no part of the claimed design.

**1 Claim, 5 Drawing Sheets**



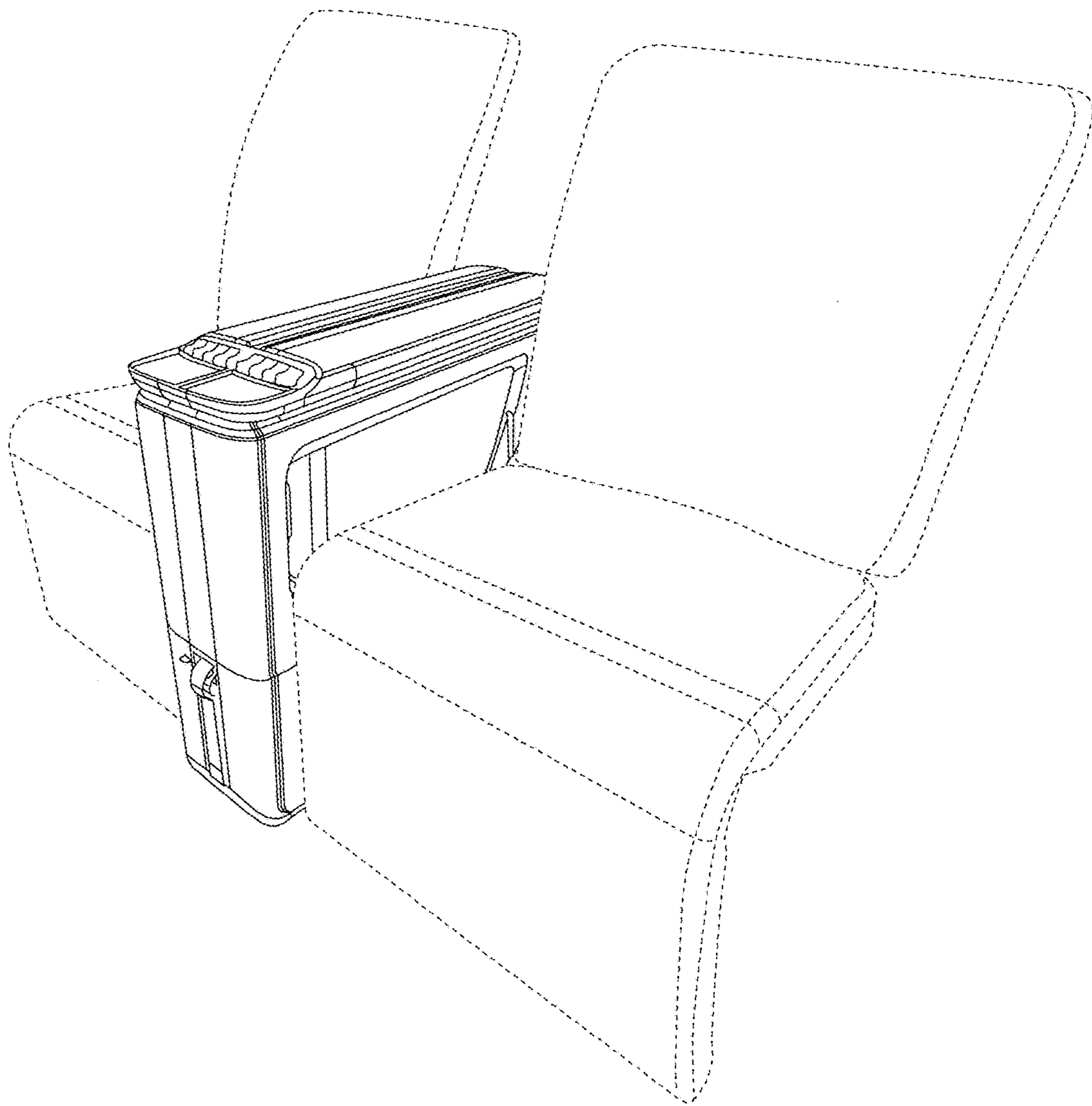


FIG. 1

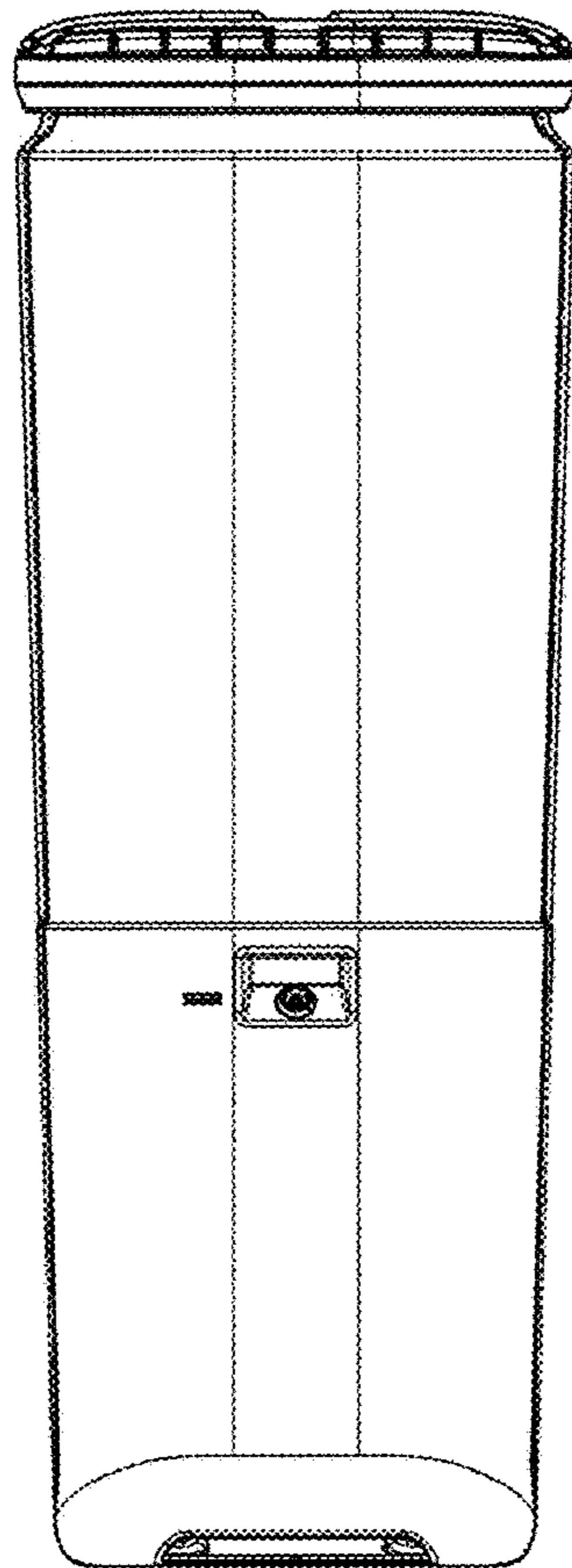


FIG. 2

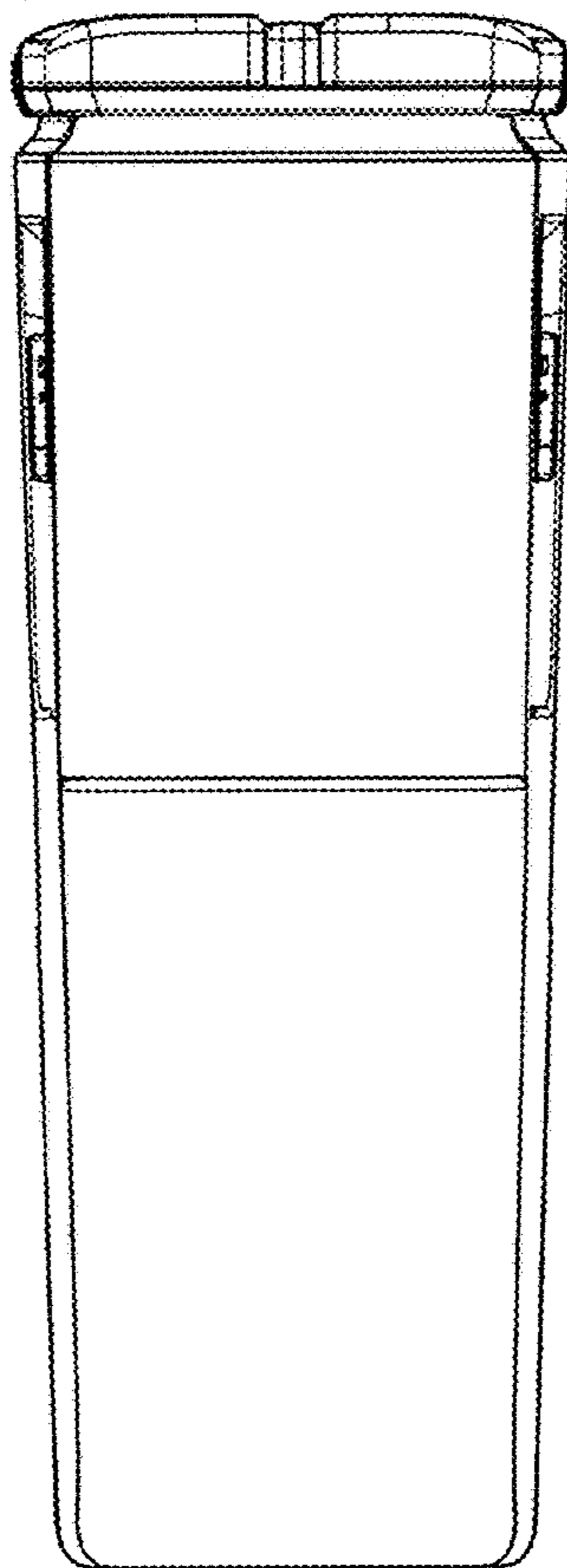


FIG. 3

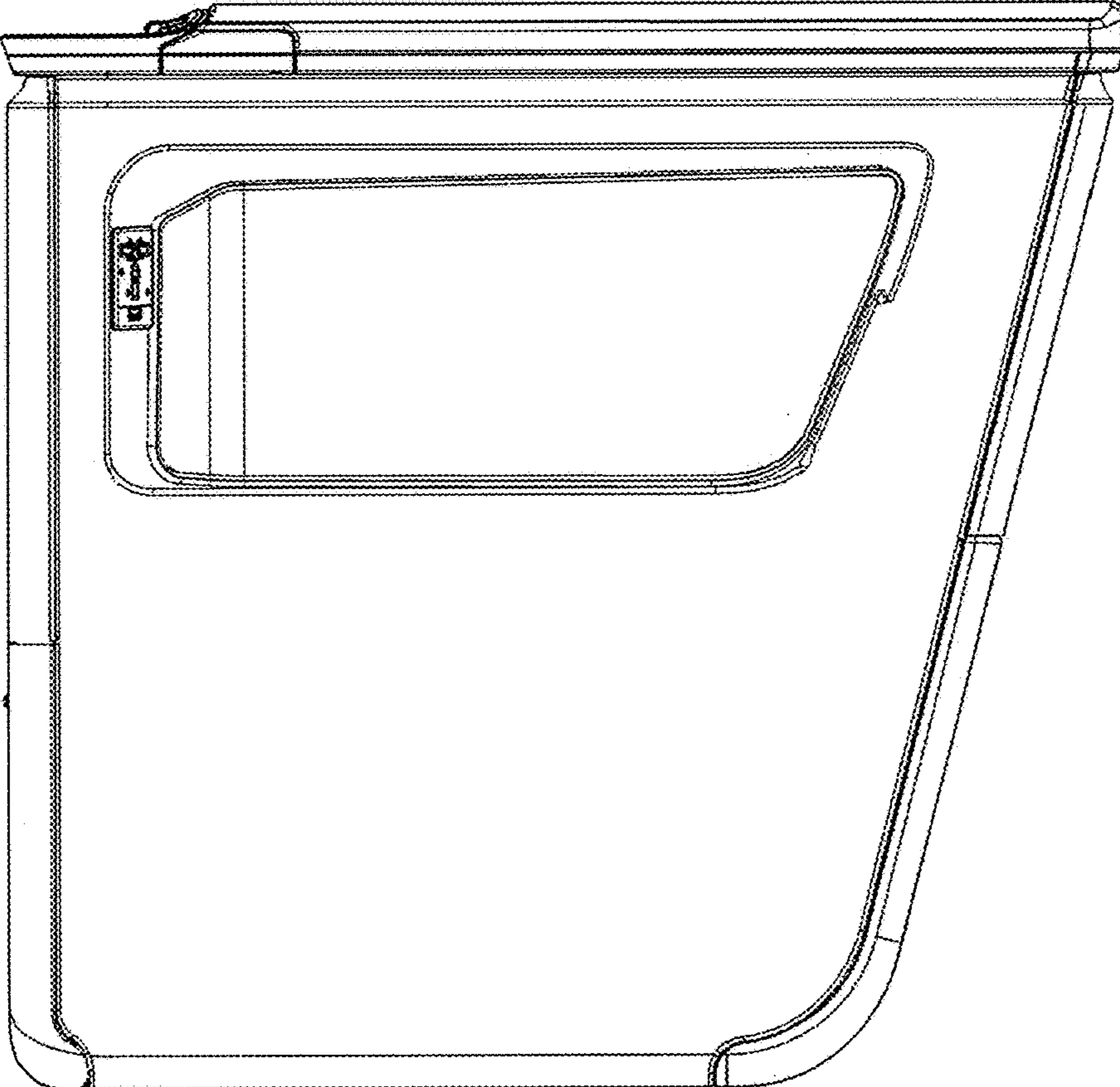


FIG. 4

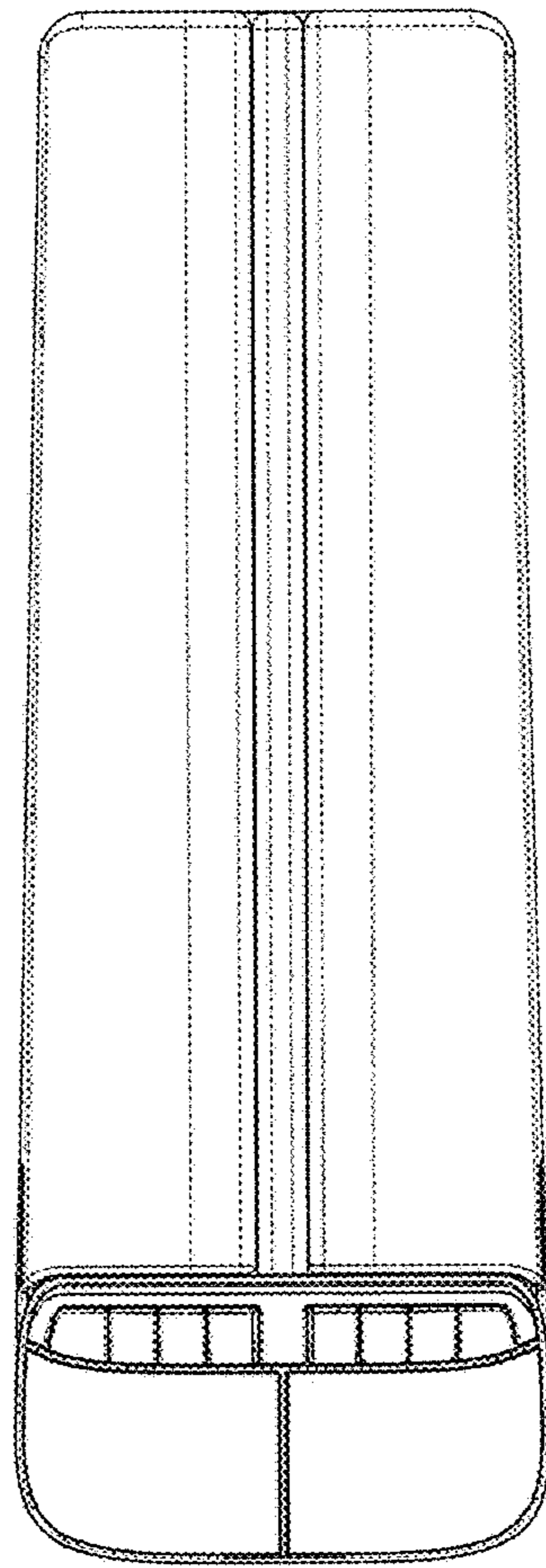


FIG. 5