

US00D842215S

(12) **United States Design Patent**  
**Koerth**

(10) **Patent No.:** **US D842,215 S**  
(45) **Date of Patent:** **\*\* Mar. 5, 2019**

- (54) **PAD FOR SUPPORTING A KAYAK**
- (71) Applicant: **LACKS HOME PRODUCTS,**  
Kentwood, MI (US)
- (72) Inventor: **Aaron Koerth,** Hudsonville, MI (US)
- (73) Assignee: **Lacks Home Products,** Kentwood, MI  
(US)
- (\*\*) Term: **15 Years**
- (21) Appl. No.: **29/613,650**
- (22) Filed: **Aug. 11, 2017**
- (51) **LOC (11) Cl.** ..... **12-06**
- (52) **U.S. Cl.**  
USPC ..... **D12/317**
- (58) **Field of Classification Search**  
USPC ..... D12/317; D3/8, 10; D6/601  
CPC ..... B62B 35/71; E04H 15/06  
See application file for complete search history.

D384,851 S *	10/1997	Heginbottom	.....	D6/596
D398,514 S *	9/1998	Anderson	.....	D8/349
5,848,603 A *	12/1998	Urban	.....	A61H 3/02 135/71
D449,043 S *	10/2001	Chow	.....	D14/253
D449,831 S *	10/2001	Chow	.....	D14/253
D466,749 S *	12/2002	O'Quinn	.....	D6/601
D476,148 S *	6/2003	Horton	.....	D3/10
D487,553 S *	3/2004	Morikawa	.....	D6/601
D663,988 S *	7/2012	Bannister	.....	D6/601
D673,766 S *	1/2013	Smith	.....	D3/8
D689,304 S *	9/2013	Tang	.....	D6/601
D706,095 S *	6/2014	Evans	.....	D8/1
D723,356 S *	3/2015	Simon	.....	D8/373
D774,745 S *	12/2016	Weber	.....	D3/8

\* cited by examiner

*Primary Examiner* — Cynthia M. Chin

(74) *Attorney, Agent, or Firm* — John S. Artz; Dickinson Wright PLLC

(57) **CLAIM**

The ornamental design for a pad for supporting a kayak, as shown and described.

**DESCRIPTION**

FIG. 1 is a perspective view of a pad for supporting a kayak illustrating an example environment of the pad for supporting a kayak;

FIG. 2 is a perspective view of the pad for supporting a kayak;

FIG. 3 is a front view of the pad for supporting a kayak;

FIG. 4 is a left side view of the pad for supporting a kayak;

FIG. 5 is a right side view of the pad for supporting a kayak;

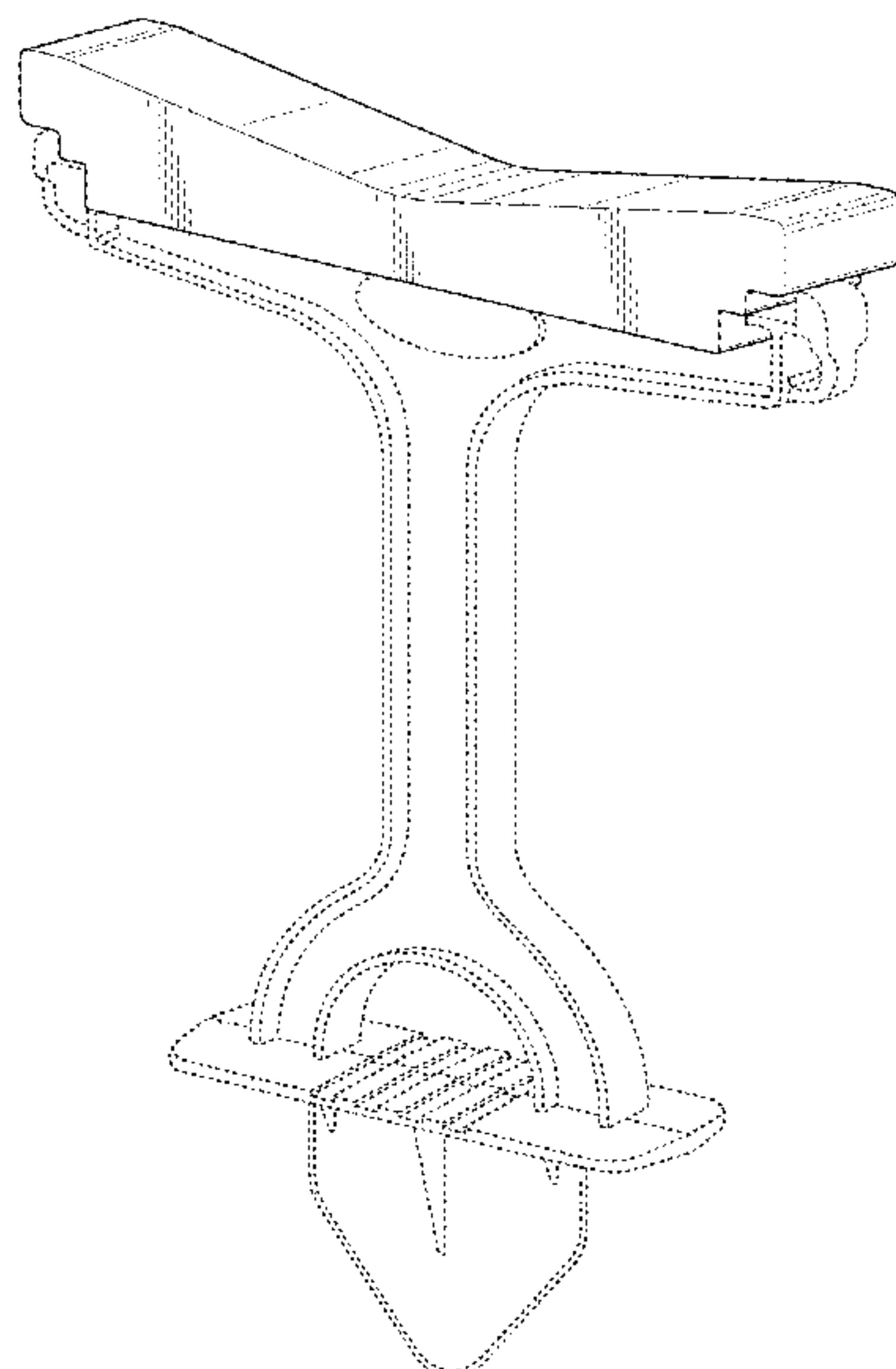
FIG. 6 is a back view of the pad for supporting a kayak;

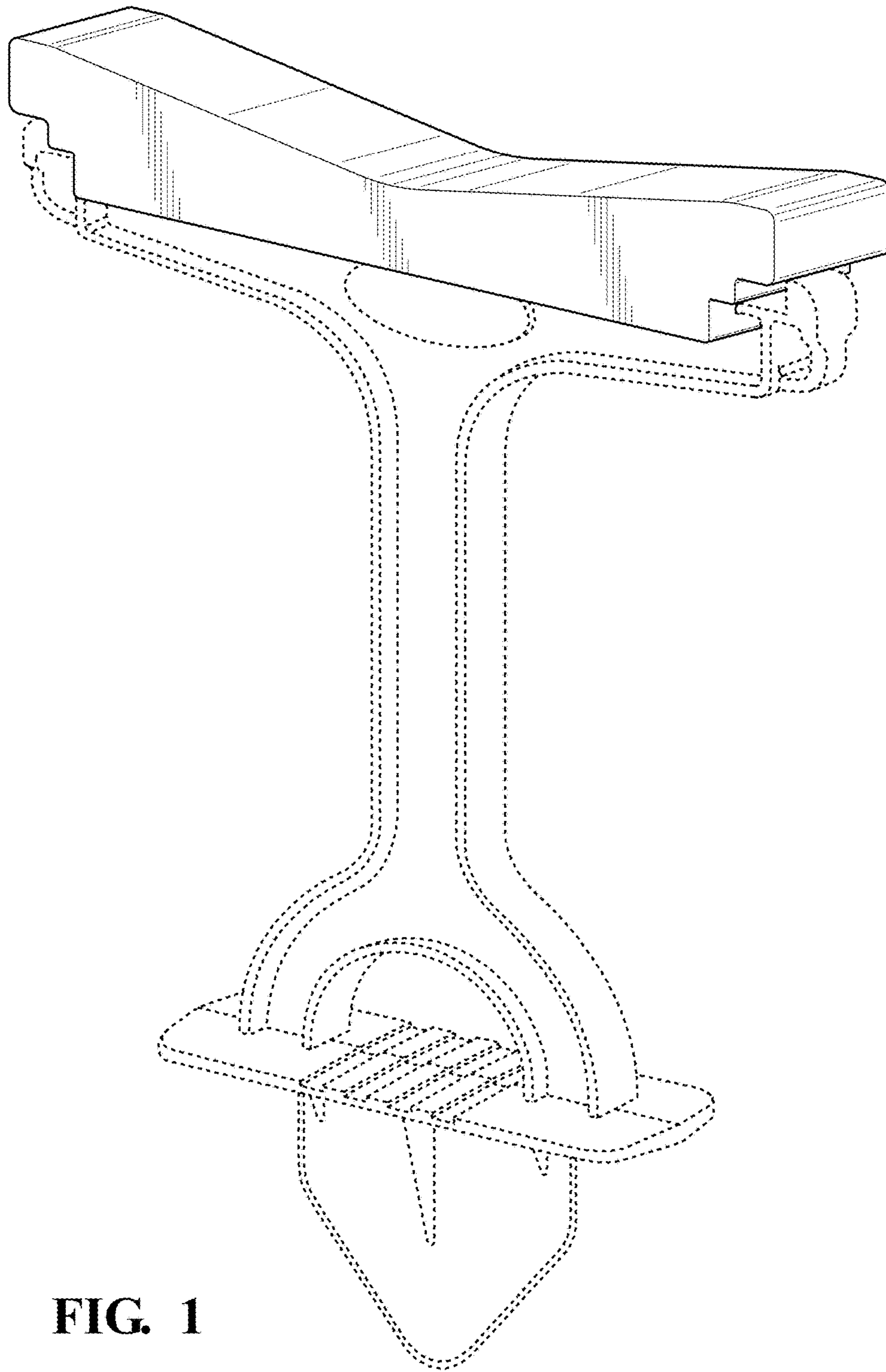
FIG. 7 is a top view of the pad for supporting a kayak; and,

FIG. 8 is a bottom view of the pad for supporting a kayak. The broken lines represent the environment in which the article resides and forms no part of the claimed design.

**1 Claim, 4 Drawing Sheets**

- (56) **References Cited**
- U.S. PATENT DOCUMENTS
- 1,311,664 A \* 7/1919 Pearl ..... A61H 3/02  
135/73
- 1,312,030 A \* 8/1919 McGoldrick ..... A61H 3/02  
135/73
- 1,906,264 A \* 5/1933 Higgins ..... A61H 3/02  
135/73
- 3,157,188 A \* 11/1964 Farnham ..... A61H 3/02  
135/69
- 3,269,400 A \* 8/1966 Smith ..... A61H 3/02  
135/73
- 4,236,267 A \* 12/1980 Lewis ..... B63B 17/00  
114/347
- 4,239,137 A \* 12/1980 Arcouette ..... B60R 9/08  
206/511
- D318,366 S \* 7/1991 Goldstein ..... D3/10





**FIG. 1**

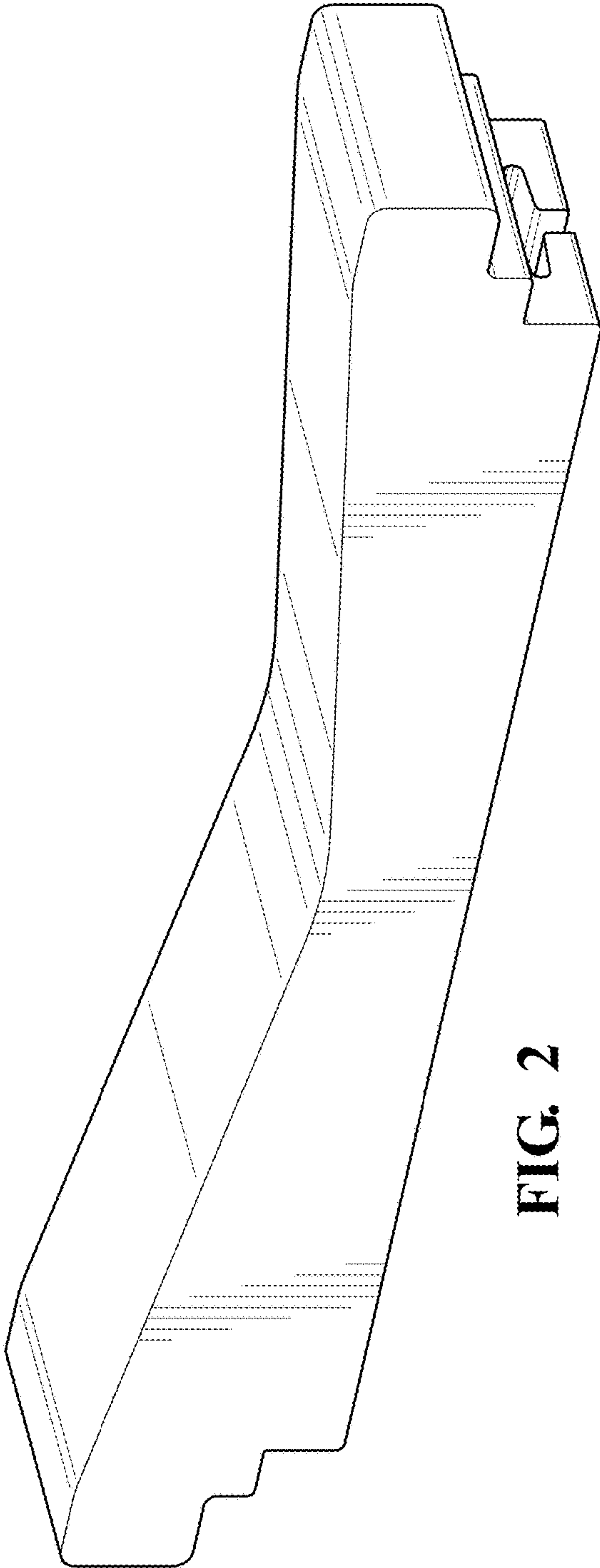


FIG. 2

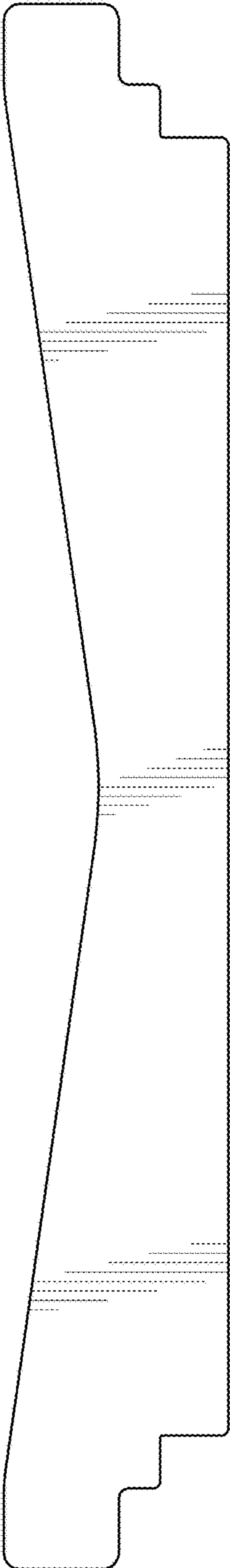


FIG. 3

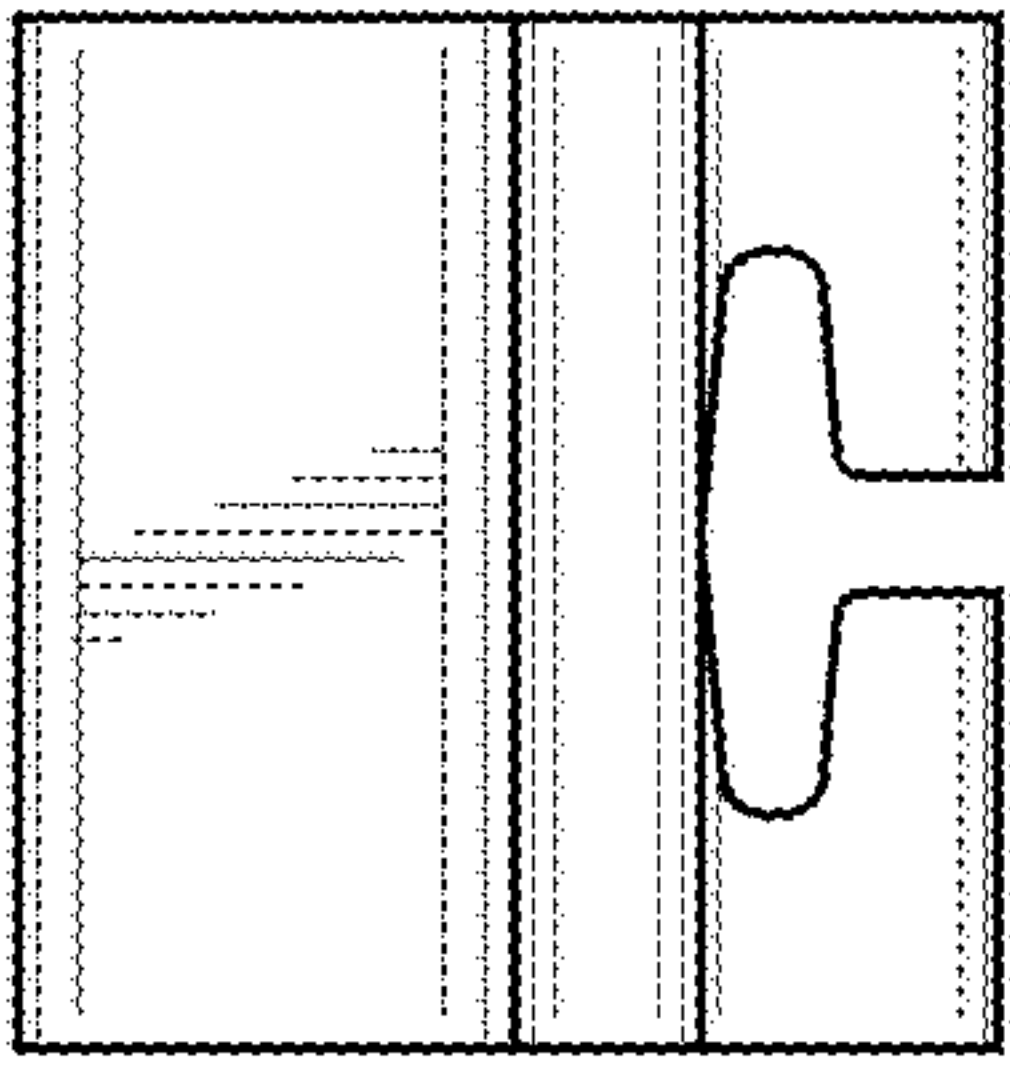


FIG. 4

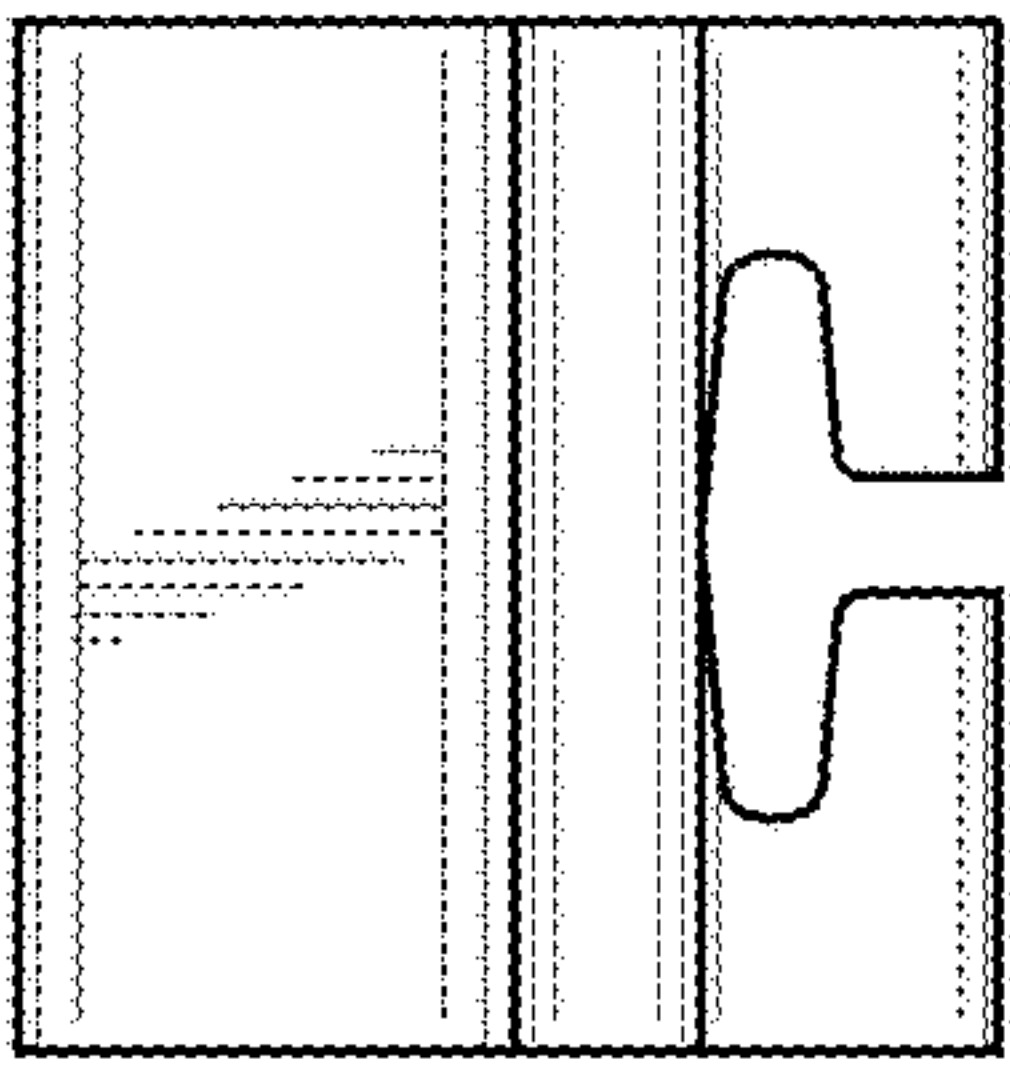


FIG. 5

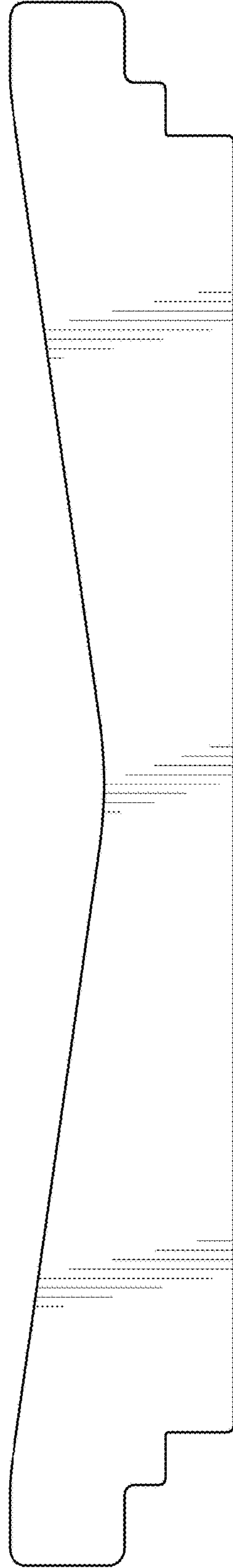


FIG. 6

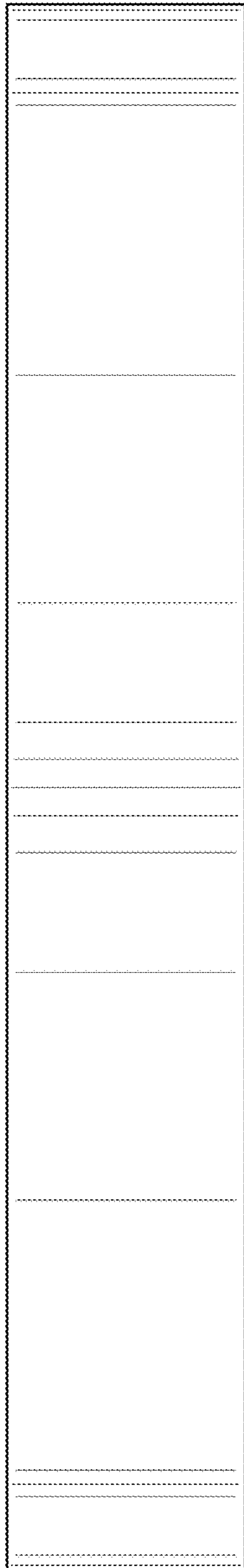


FIG. 7

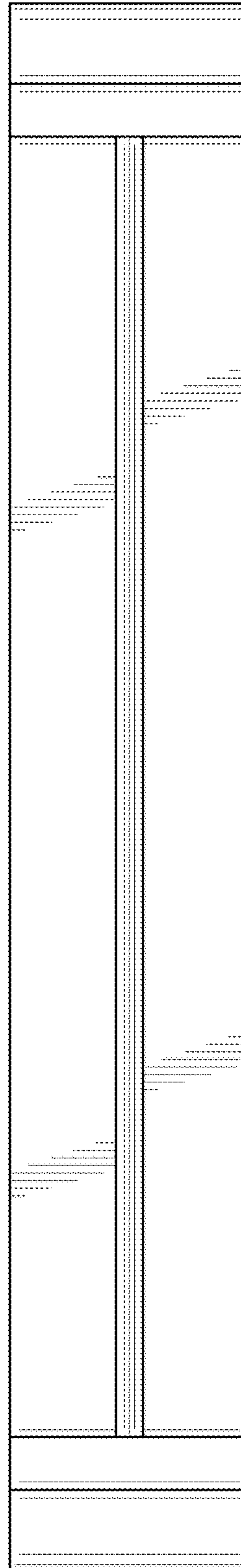


FIG. 8