



US00D842213S

(12) **United States Design Patent**
Lee et al.

(10) **Patent No.:** **US D842,213 S**
(45) **Date of Patent:** **** Mar. 5, 2019**

- (54) **ADAPTER OF WINDSCREEN WIPER**
- (71) Applicant: **CAP Corporation**, Gyeongsangbuk-do (KR)
- (72) Inventors: **Sang Chul Lee**, Gyeongsangbuk-do (KR); **Seung Chul Hyun**, Gyeonggi-do (KR)
- (73) Assignee: **CAP Corporation**, Gyeongsangbuk-Do (KR)

D725,024	S	*	3/2015	Poton	D12/220
D727,238	S	*	4/2015	Lepper	D12/220
D784,242	S	*	4/2017	Lee	D12/220
D784,243	S	*	4/2017	Lee	D12/220
D809,989	S	*	2/2018	Lee	D12/220
2014/0215747	A1	*	8/2014	Yang	B60S 1/4003 15/250.32
2016/0375873	A1	*	12/2016	Mouleyre	B60S 1/3806 15/250.32
2017/0274872	A1	*	9/2017	Gaucher	B60S 1/4006
2018/0086312	A1	*	3/2018	Houssat	B60S 1/4006
2018/0162326	A1	*	6/2018	Gaucher	B60S 1/3851

- (**) Term: **15 Years**
- (21) Appl. No.: **29/621,649**
- (22) Filed: **Oct. 10, 2017**

* cited by examiner

Primary Examiner — Katrina A Betton
(74) *Attorney, Agent, or Firm* — Grossman, Tucker, Perreault & Pfeleger, PLLC

Related U.S. Application Data

- (63) Continuation-in-part of application No. 29/552,830, filed on Jan. 26, 2016, now Pat. No. Des. 809,989.
- (51) **LOC (11) Cl.** **12-16**
- (52) **U.S. Cl.**
USPC **D12/220**
- (58) **Field of Classification Search**
USPC D12/219–220
CPC B60S 2001/3815; B60S 1/4003; B60S 1/3801
See application file for complete search history.

(57) **CLAIM**

The ornamental design for an adapter for windscreen wiper, as shown and described.

DESCRIPTION

FIG. 1 is a top left front perspective view of an adaptor for windscreen wiper.
FIG. 2 is a front view thereof.
FIG. 3 is a rear view thereof.
FIG. 4 is a left side view thereof.
FIG. 5 is a right side view thereof.
FIG. 6 is a top plan view thereof.
FIG. 7 is a bottom plan view thereof.
FIG. 8 is a top left rear perspective view thereof.
FIG. 9 is top right front perspective view thereof; and,
FIG. 10 is a top right rear perspective view thereof.

(56) **References Cited**

U.S. PATENT DOCUMENTS

D610,518	S	*	2/2010	Aglassinger	D12/220
D725,021	S	*	3/2015	Poton	D12/220

1 Claim, 10 Drawing Sheets

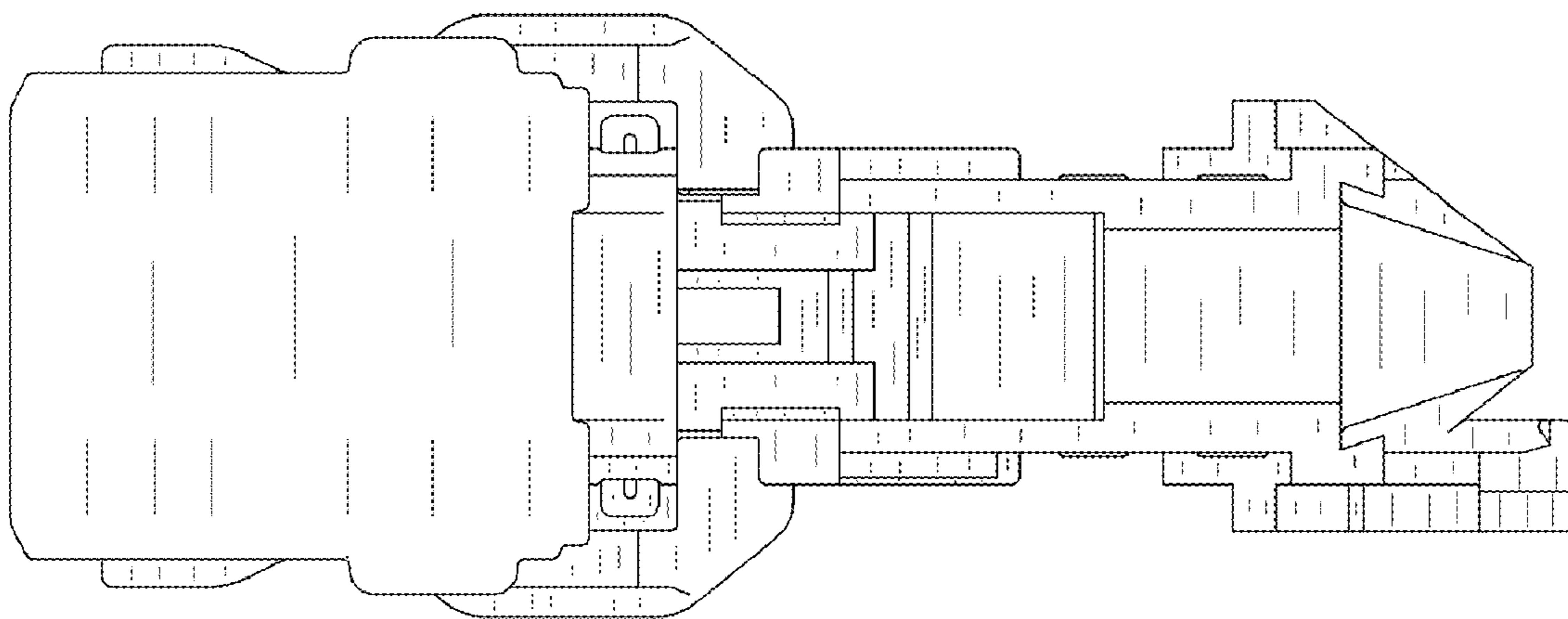


Fig. 1

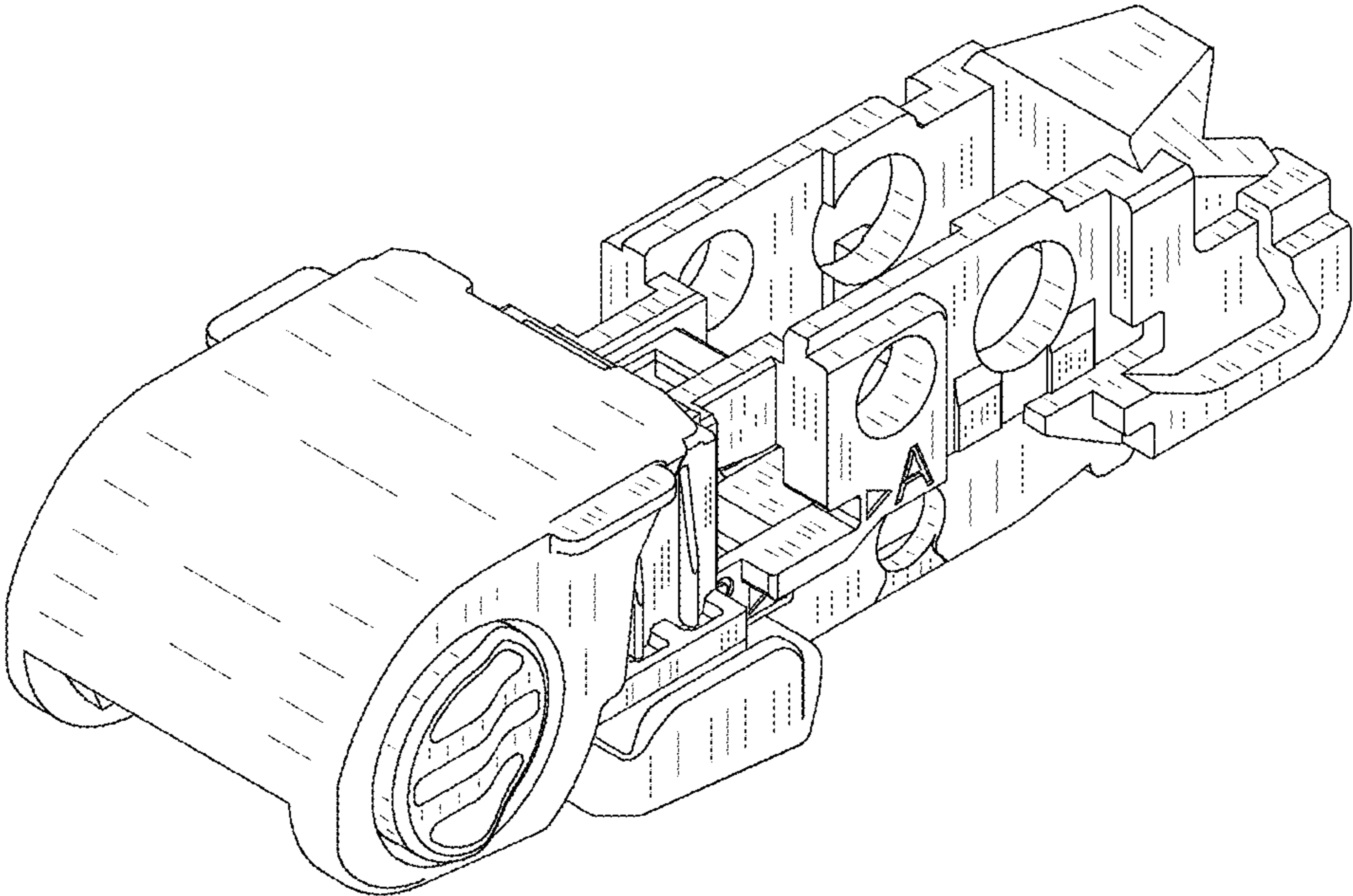


Fig. 2

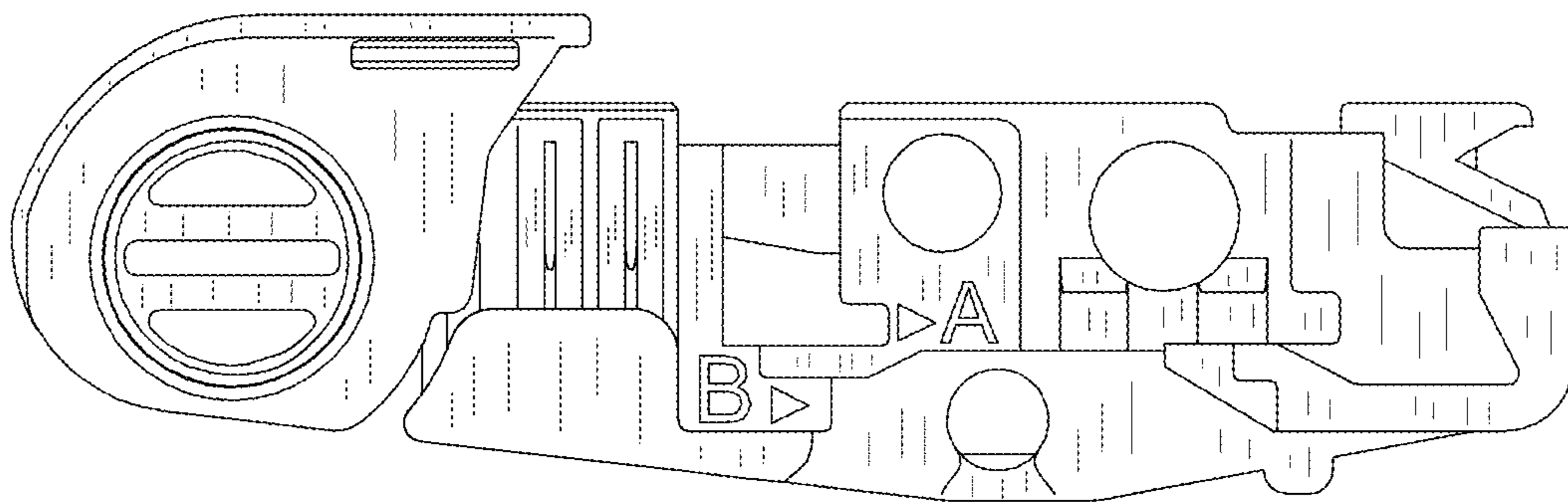


Fig. 3

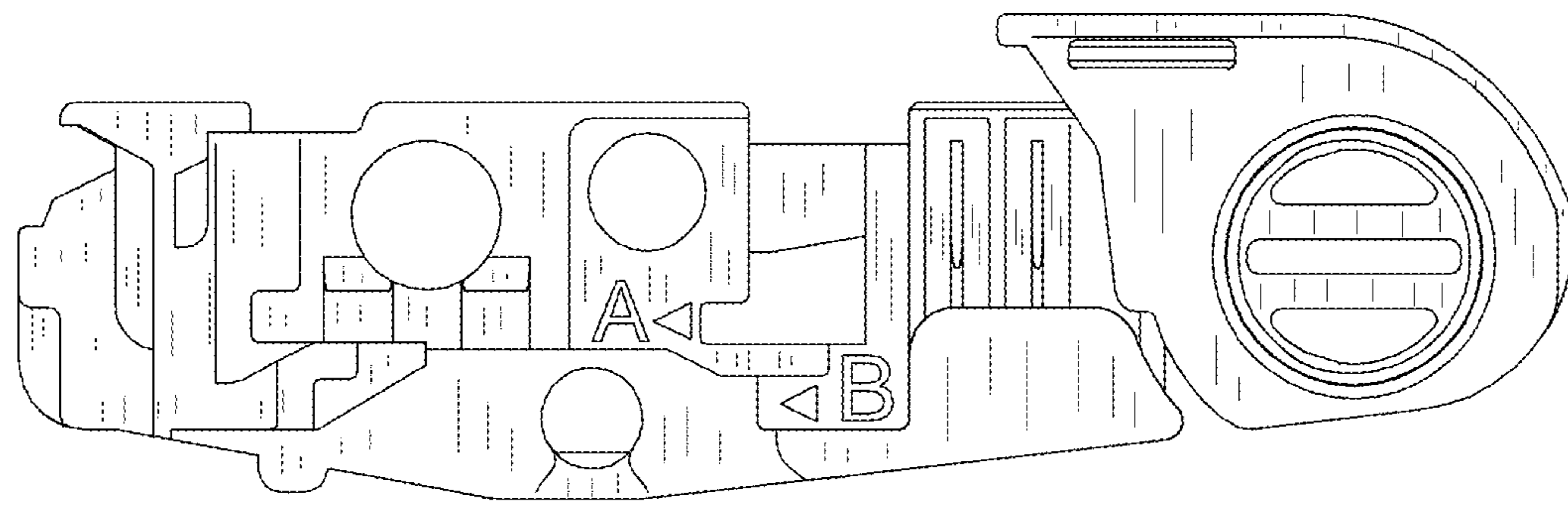


Fig. 4

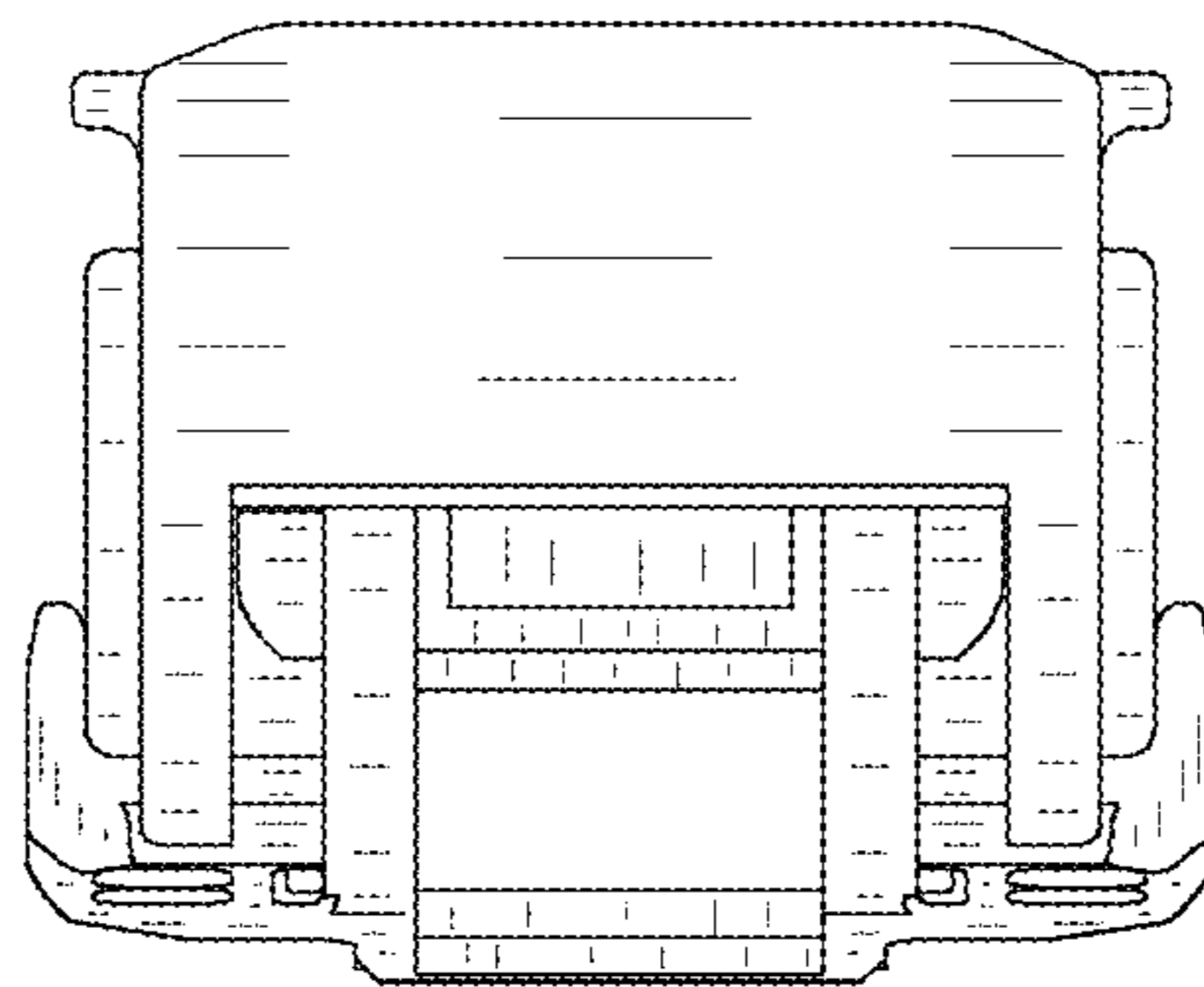


Fig. 5

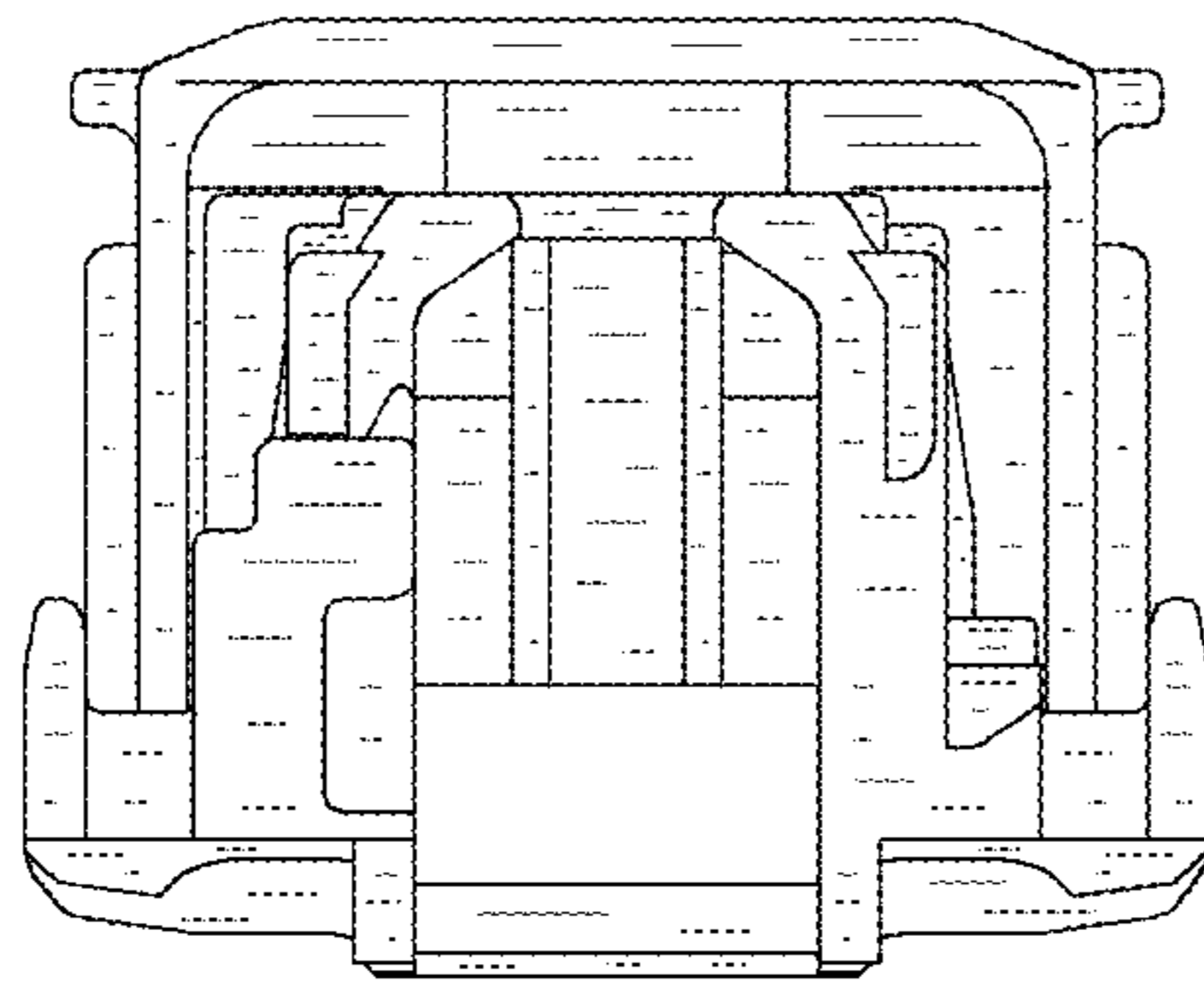


Fig. 6

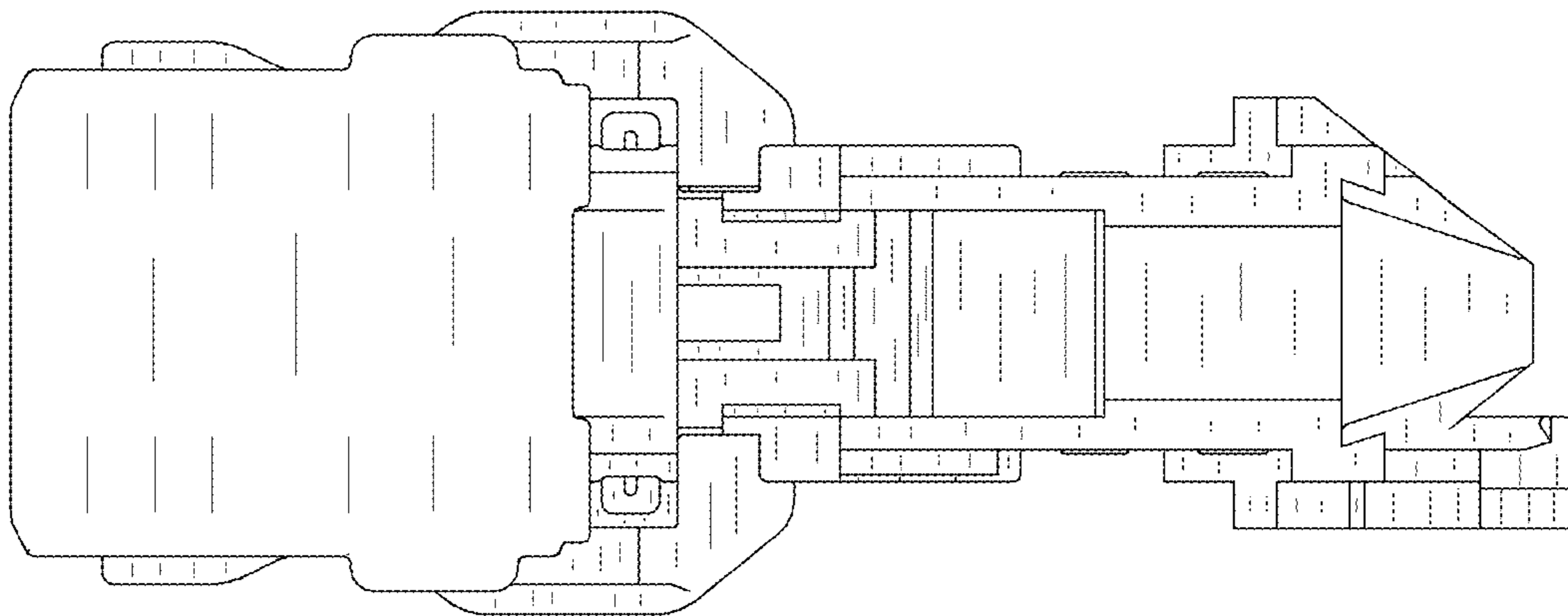


Fig. 7

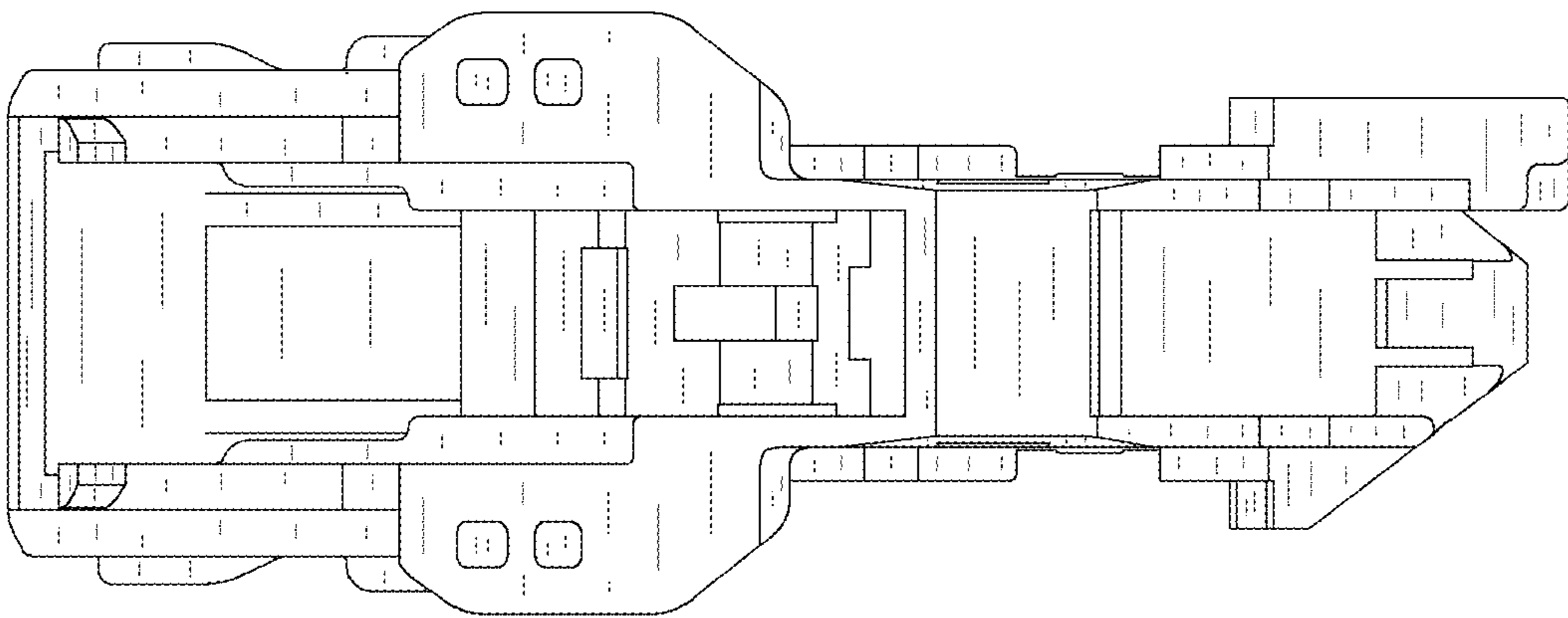


Fig. 8

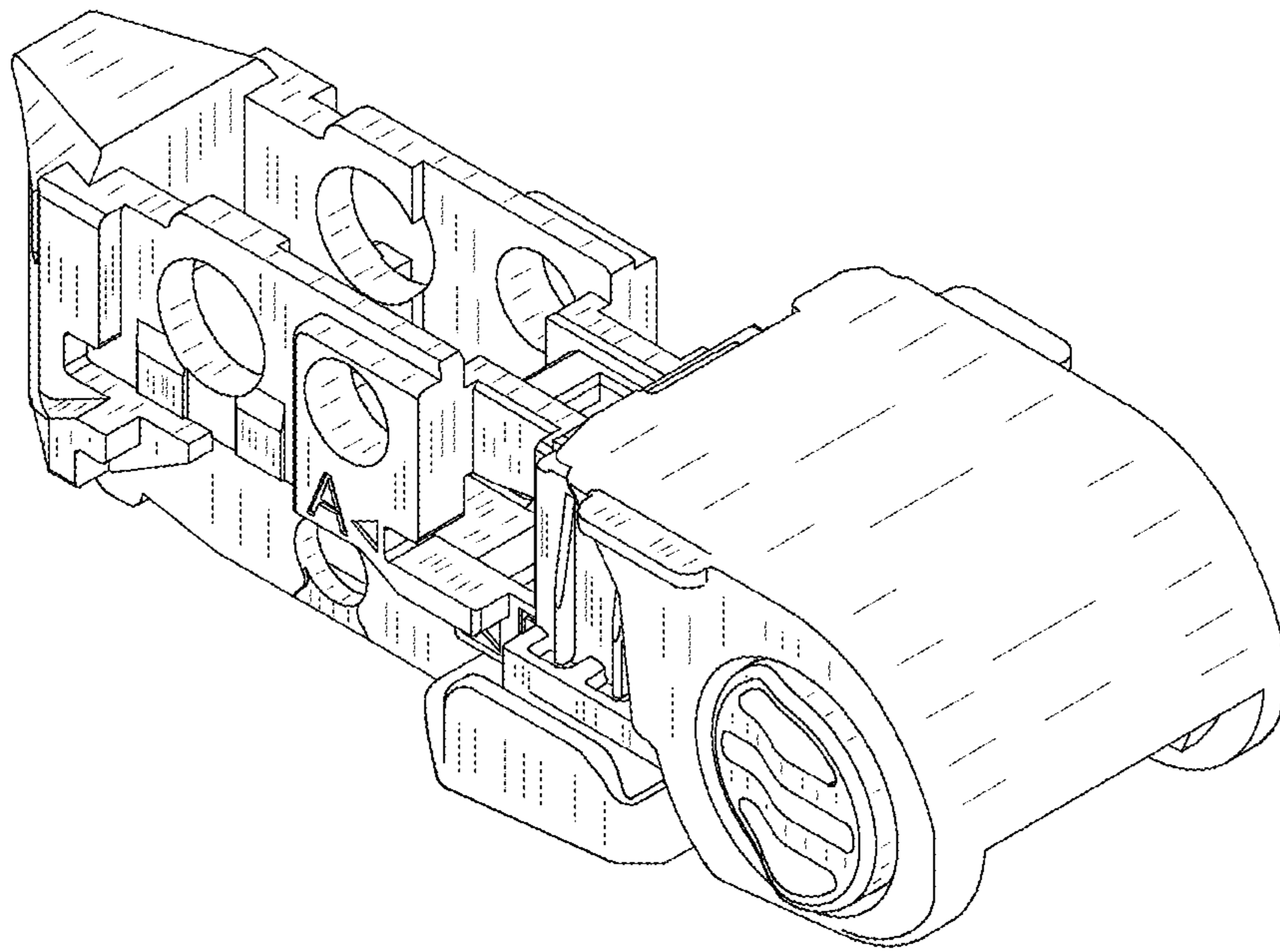


Fig. 9

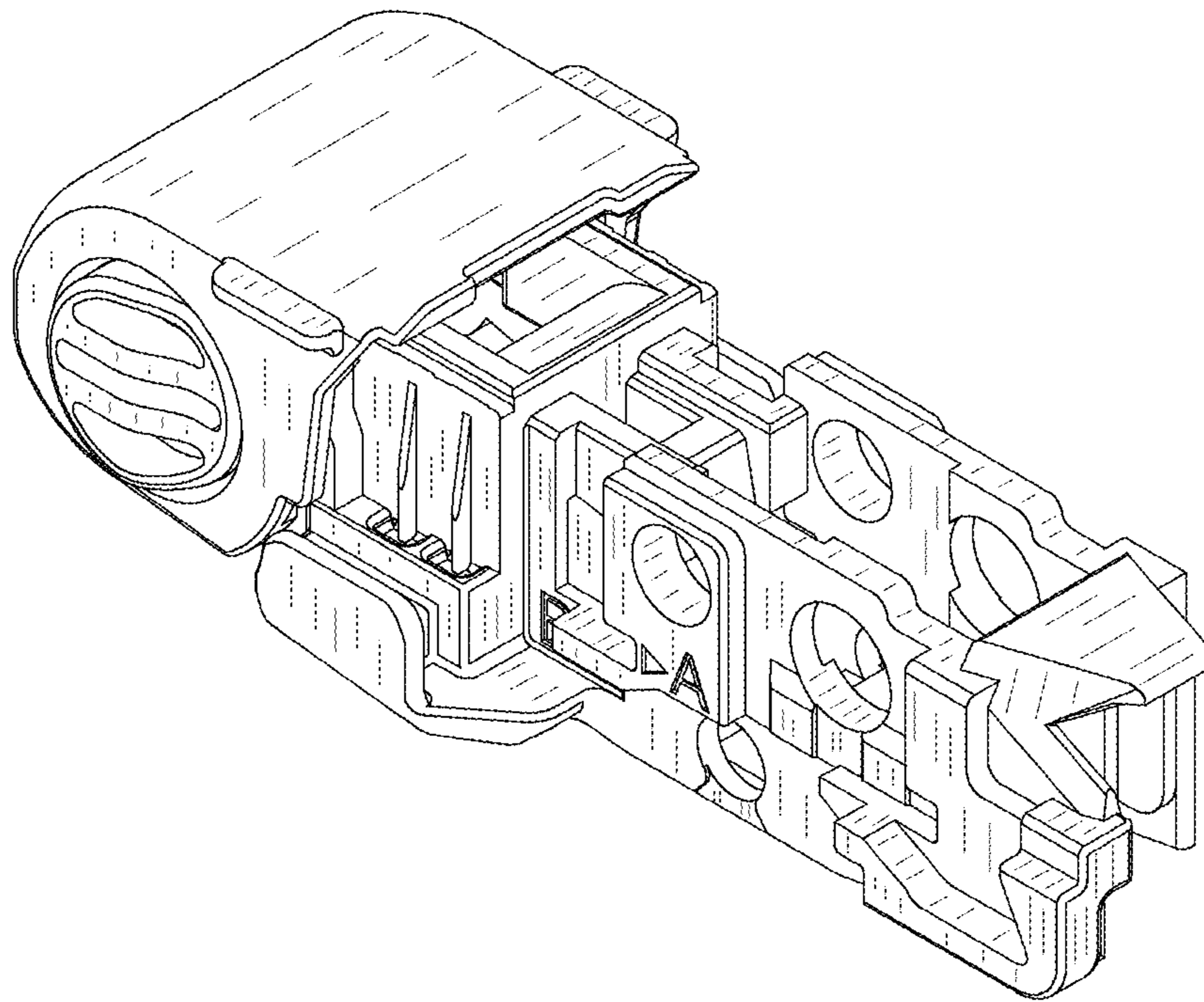


Fig. 10

