



US00D842208S

(12) **United States Design Patent**
Hale, Jr.

(10) **Patent No.:** **US D842,208 S**
(45) **Date of Patent:** **** *Mar. 5, 2019**

(54) **FRONT OUTWARD FLANGE OF A VEHICLE WHEEL**

(71) Applicant: **MOBILE HI-TECH WHEELS,**
Rancho Dominguez, CA (US)

(72) Inventor: **Arthur D. Hale, Jr.,** Long Beach, CA
(US)

(73) Assignee: **MOBILE HI-TECH WHEELS,**
Rancho Dominguez, CA (US)

(*) Notice: This patent is subject to a terminal disclaimer.

(**) Term: **15 Years**

(21) Appl. No.: **29/560,079**

(22) Filed: **Apr. 1, 2016**

(51) **LOC (11) Cl.** **12-16**

(52) **U.S. Cl.**
USPC **D12/213**

(58) **Field of Classification Search**
USPC D12/204-213; D21/533, 561, 563
CPC B60B 7/00; B60B 7/02; B60B 7/04; B60B 7/06; B60B 3/02; B60B 3/04; B60B 3/06; B60B 3/10; B60B 1/00; B60B 1/08; B60B 1/10; B60B 1/12; F16L 55/178; F16L 23/18; F16L 23/24; Y10T 24/1441
See application file for complete search history.

(56) **References Cited**

U.S. PATENT DOCUMENTS

999,548 A * 8/1911 Clark F16L 55/178
285/413
1,051,087 A * 1/1913 Clark F16L 55/178
277/623
1,062,438 A * 5/1913 Clark F16L 55/178
285/337
D51,154 S * 8/1917 Rosenfeld D12/210
1,240,486 A * 9/1917 Price F16L 55/178
285/148.6

1,423,754 A * 7/1922 Clark F16L 55/178
285/337
2,019,120 A * 10/1935 Cunningham B60B 11/10
301/40.3
4,240,670 A * 12/1980 Zorn B60B 7/00
301/108.4
D593,473 S * 6/2009 Fournier D12/207
D593,475 S * 6/2009 Chung D12/210
D624,477 S * 9/2010 McMath B60B 11/10
D12/210
D715,721 S * 10/2014 Chung B60B 7/00
D12/211
D715,722 S * 10/2014 Johnson D12/211

(Continued)

OTHER PUBLICATIONS

Precise racing products, Weld 15" beadlock ring for dzus on mudcover, Oct. 2015, Online product page, retrieved Jul. 23, 2018 from <URL: <https://web.archive.org/web/20150910003623/https://www.preciseracing.com/product.cfm?InvKey=28213>> (Year: 2015).*

Primary Examiner — Sheryl Lane
Assistant Examiner — Calvin E Vansant
(74) *Attorney, Agent, or Firm* — Lewis Roca Rothgerber Christie LLP

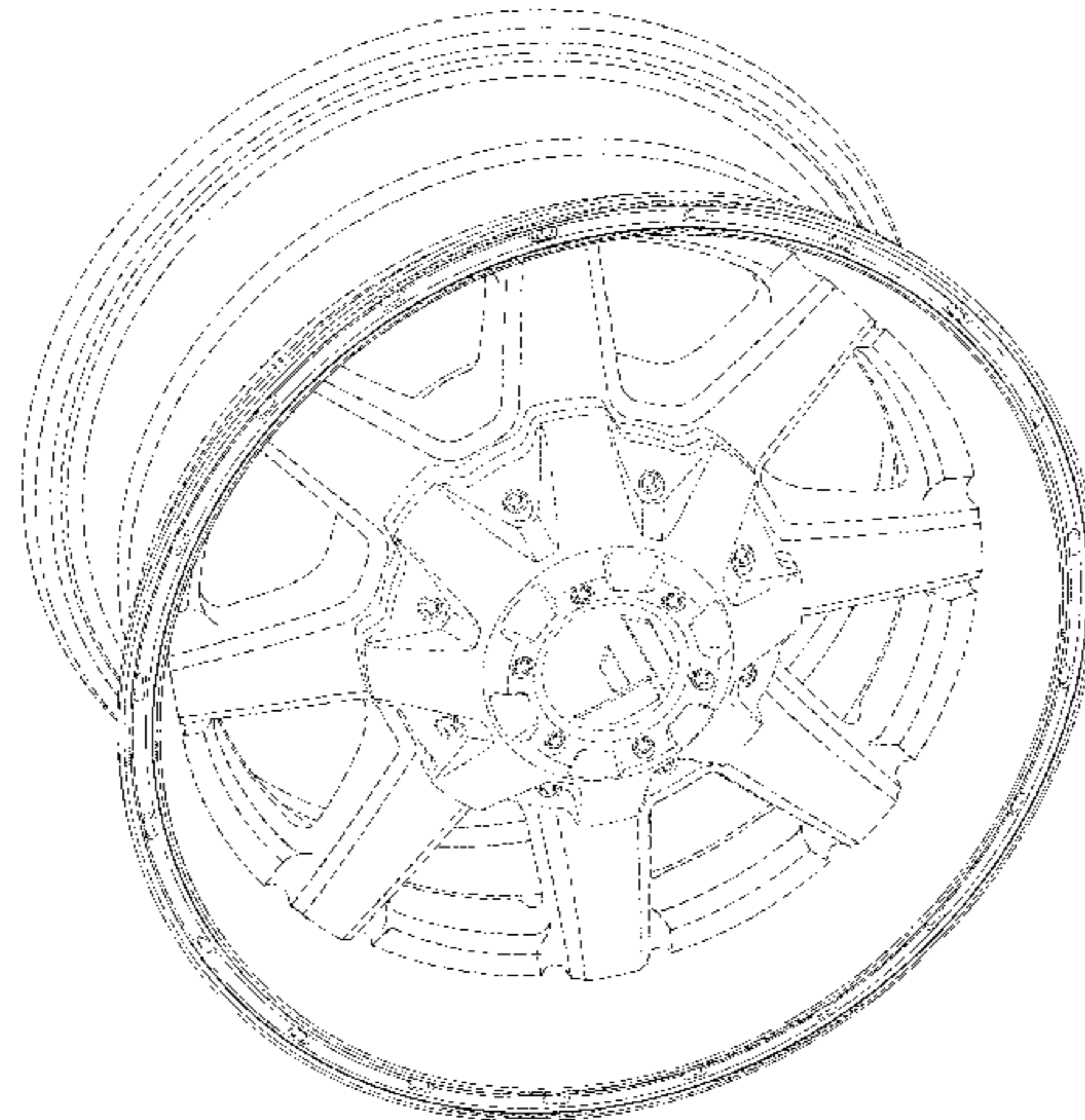
(57) **CLAIM**

The ornamental design for front outward flange of a vehicle wheel, as shown and described.

DESCRIPTION

FIG. 1 is a perspective view of a front outward flange of a vehicle wheel according to my new design;
FIG. 2 is a elevational view thereof;
FIG. 3 is a side elevational view thereof; and,
FIG. 4 is an enlarged view of the generally oval indent feature of my new design.
The broken lines depict portions of the front outward flange of a vehicle wheel that form no part of the claim.

1 Claim, 3 Drawing Sheets



(56)

References Cited

U.S. PATENT DOCUMENTS

D746,754 S *	1/2016	Johnson	F16L 55/178 D12/209
D783,495 S *	4/2017	Hale, Jr.	F16L 55/178 D12/209
D788,012 S *	5/2017	Hughes	F16L 55/178 D12/212
D791,057 S *	7/2017	Johnson	F16L 55/178 D12/211
D805,987 S *	12/2017	Major	F16L 55/178 D12/204

* cited by examiner

FIG. 1

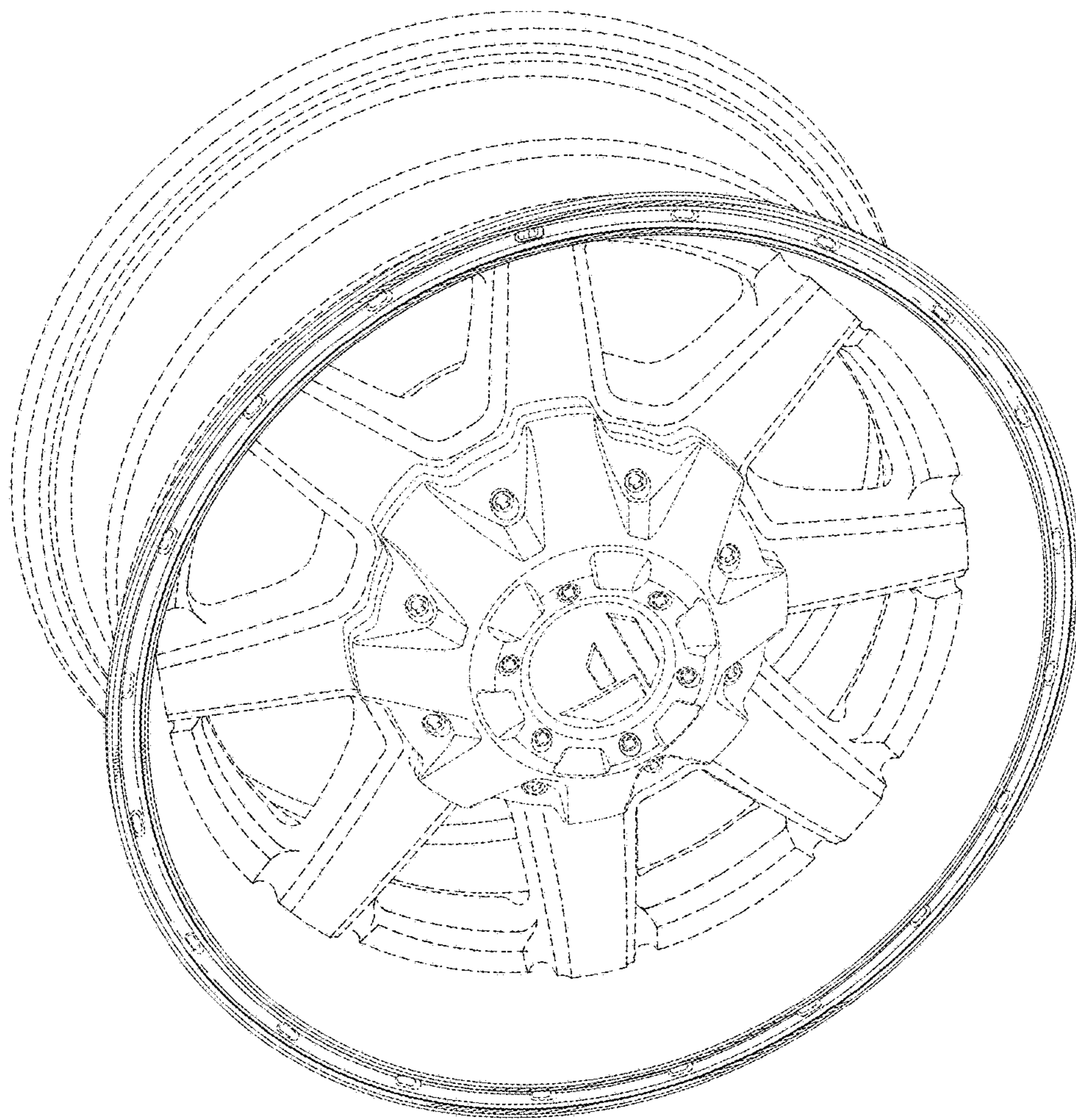


FIG. 2

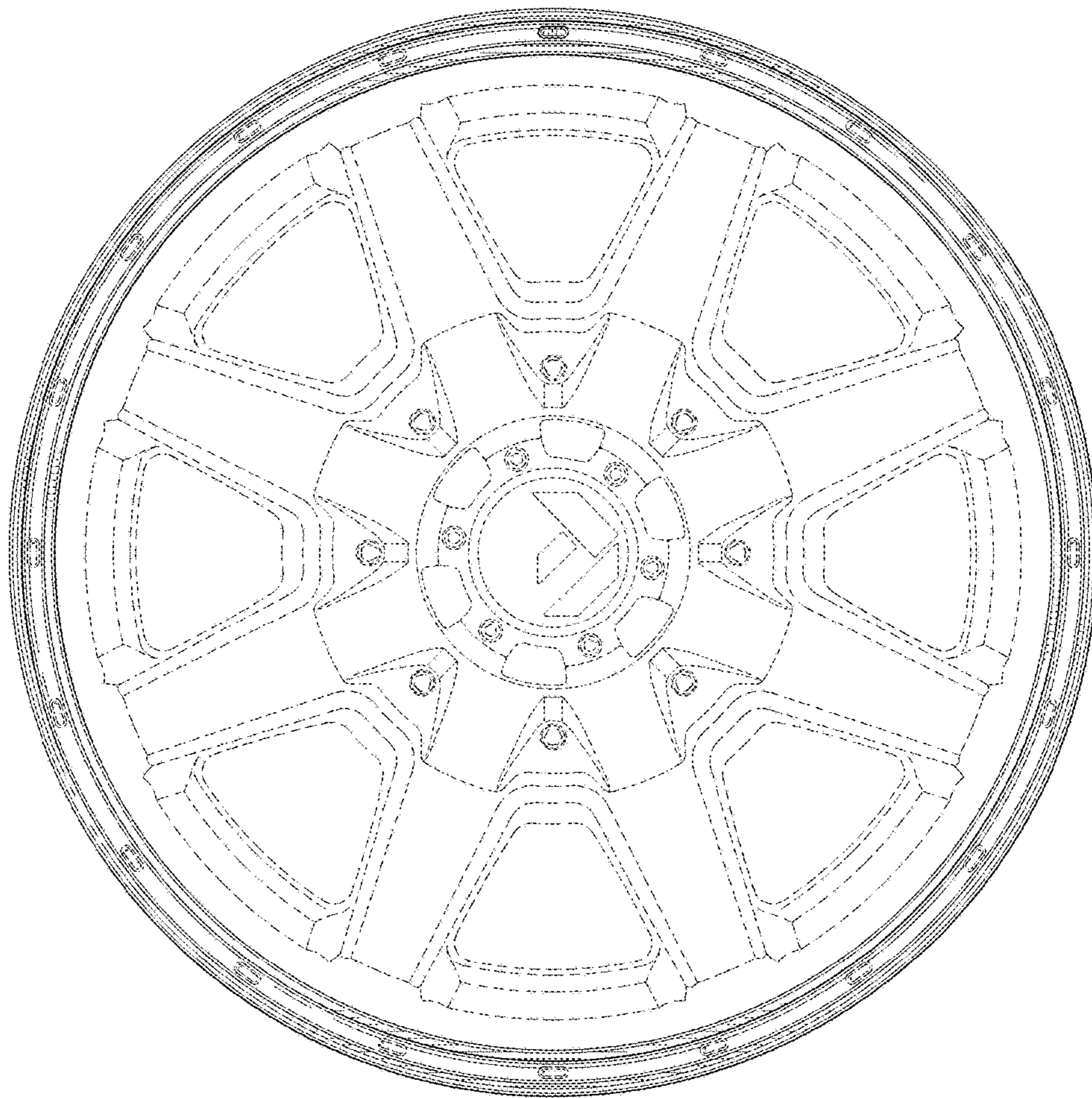


FIG. 3

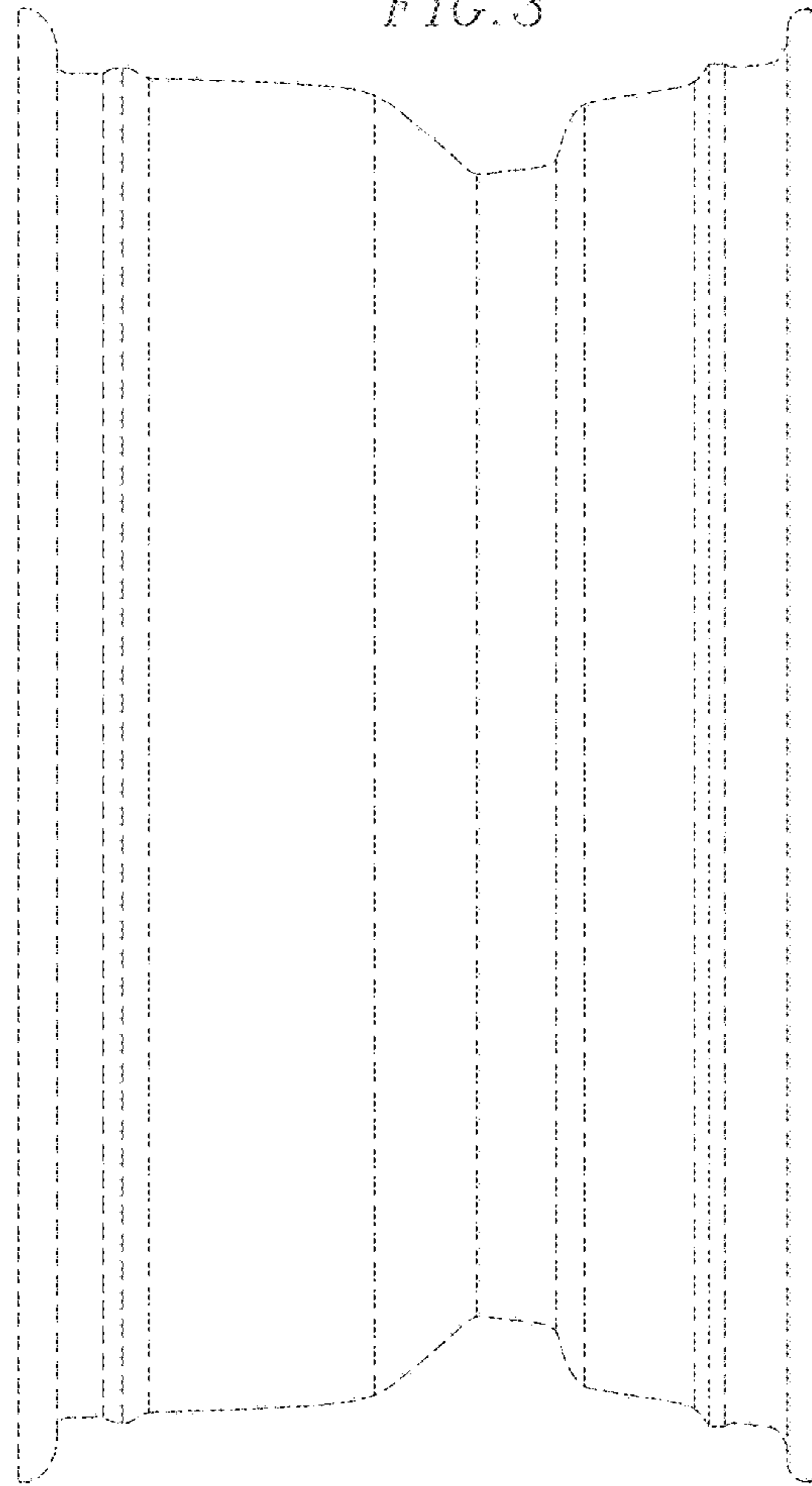


FIG. 4

