



US00D842203S

(12) **United States Design Patent**
Podlovits

(10) **Patent No.:** **US D842,203 S**

(45) **Date of Patent:** **** Mar. 5, 2019**

(54) **WHEEL FRONT FACE**

(71) Applicant: **Joseph F. Podlovits**, Brea, CA (US)

(72) Inventor: **Joseph F. Podlovits**, Brea, CA (US)

(73) Assignee: **WHEEL GROUP HOLDINGS, LLC**,
Ontario, CA (US)

(**) Term: **15 Years**

(21) Appl. No.: **29/623,973**

(22) Filed: **Oct. 27, 2017**

(51) **LOC (11) Cl.** **12-16**

(52) **U.S. Cl.**
USPC **D12/209**

(58) **Field of Classification Search**
USPC D12/204–213
CPC B60B 7/00; B60B 7/02; B60B 7/04; B60B
7/01; B60B 7/06; B60B 3/04; B60B 1/00;
B60B 3/10; B60B 1/10; B60B 1/08;
B60B 3/06; B60B 1/12; B60B 3/02
See application file for complete search history.

(56) **References Cited**

U.S. PATENT DOCUMENTS

D449,812 S	*	10/2001	Penzes	D12/211
D503,669 S	*	4/2005	Bhambra	D12/211
D526,610 S	*	8/2006	Muzzarelli	D12/211
D539,724 S	*	4/2007	Muzzarelli	D12/211
D587,181 S	*	2/2009	Musser	D12/209
D626,052 S	*	10/2010	Majdandzic	D12/209
D649,103 S	*	11/2011	Galled	D12/211
D675,143 S	*	1/2013	Gebert	D12/209
D689,421 S	*	9/2013	Wachter	D12/211
D697,004 S	*	1/2014	Pollmann	D12/209

D735,102 S	*	7/2015	Swaneger	D12/209
D739,326 S	*	9/2015	Juergens	D12/209
D741,240 S	*	10/2015	Melabiotis	D12/209
D743,315 S	*	11/2015	Perini	D12/209
D748,030 S	*	1/2016	Heizmann	D12/209
D749,483 S	*	2/2016	Hodges	D12/209
D754,052 S	*	4/2016	Juergens	D12/211
D754,582 S	*	4/2016	Kobayashi	D12/209
D780,658 S	*	3/2017	Welte	D12/211
D792,827 S	*	7/2017	Chung	D12/209
D793,937 S	*	8/2017	Buck	D12/209
D801,250 S	*	10/2017	Chung	D12/209
D805,988 S	*	12/2017	Buck	D12/209
D808,323 S	*	1/2018	Buck	D12/209
D820,184 S	*	6/2018	Bucher	D12/209
D825,426 S	*	8/2018	Myrberg	D12/209
D832,763 S	*	11/2018	Han	D12/209
D833,948 S	*	11/2018	Buck	D12/209

* cited by examiner

Primary Examiner — Stacia A Cadmus

(74) *Attorney, Agent, or Firm* — Law Offices of S.J. Christine Yang

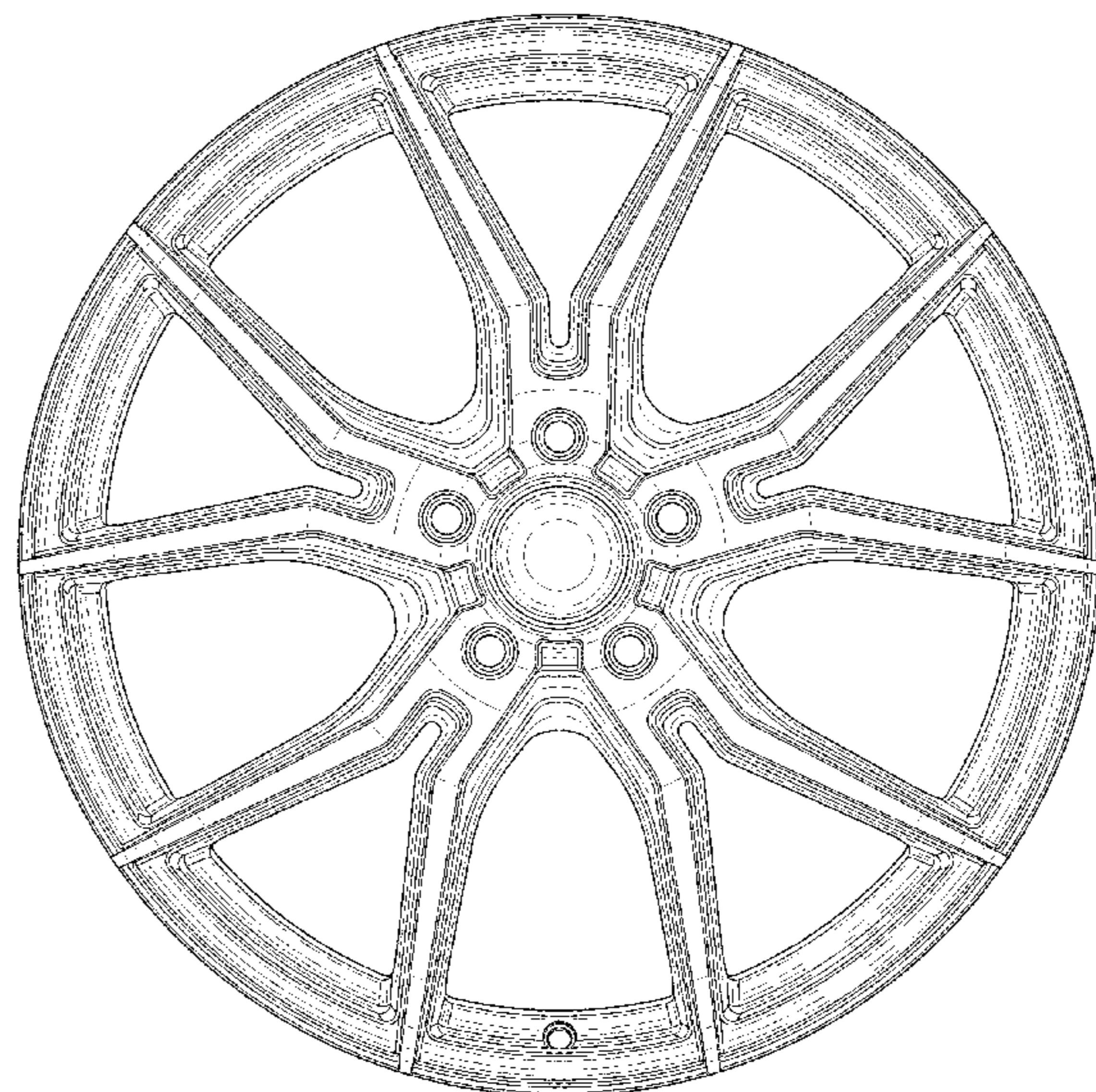
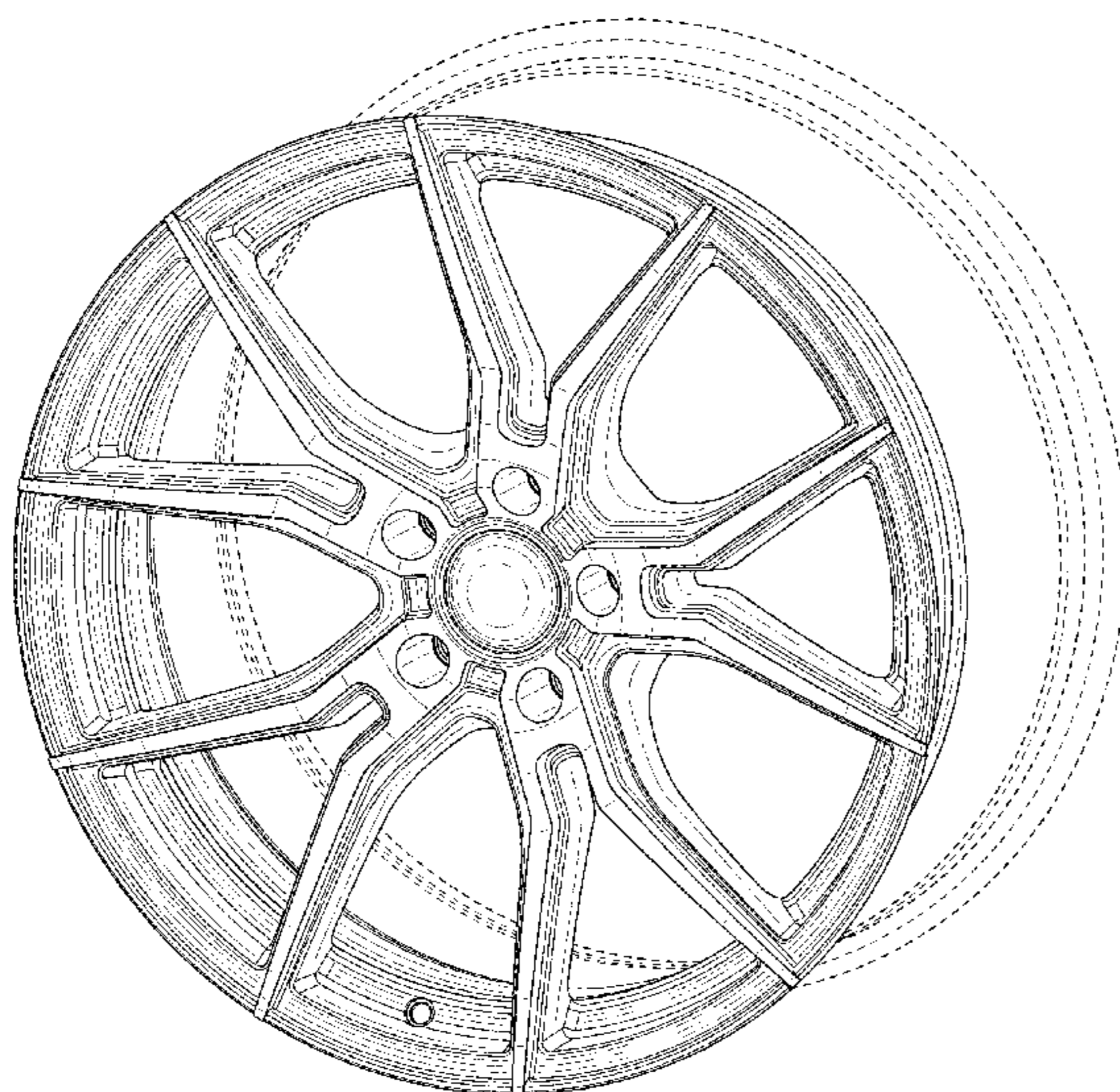
(57) **CLAIM**

The ornamental design for a wheel front face, as shown and described.

DESCRIPTION

FIG. 1 is a perspective view of a wheel front face in accordance with an embodiment of the present invention. FIG. 2 is a front view of the wheel front face of FIG. 1; and, FIG. 3 is a side view of the wheel front face of FIG. 1. The surface shadings are for illustrative purposes only, and form no part of the claimed design. The broken lines showing the rear of the wheel and the rim is for illustrative purposes only, and forms no part of the claimed design.

1 Claim, 3 Drawing Sheets



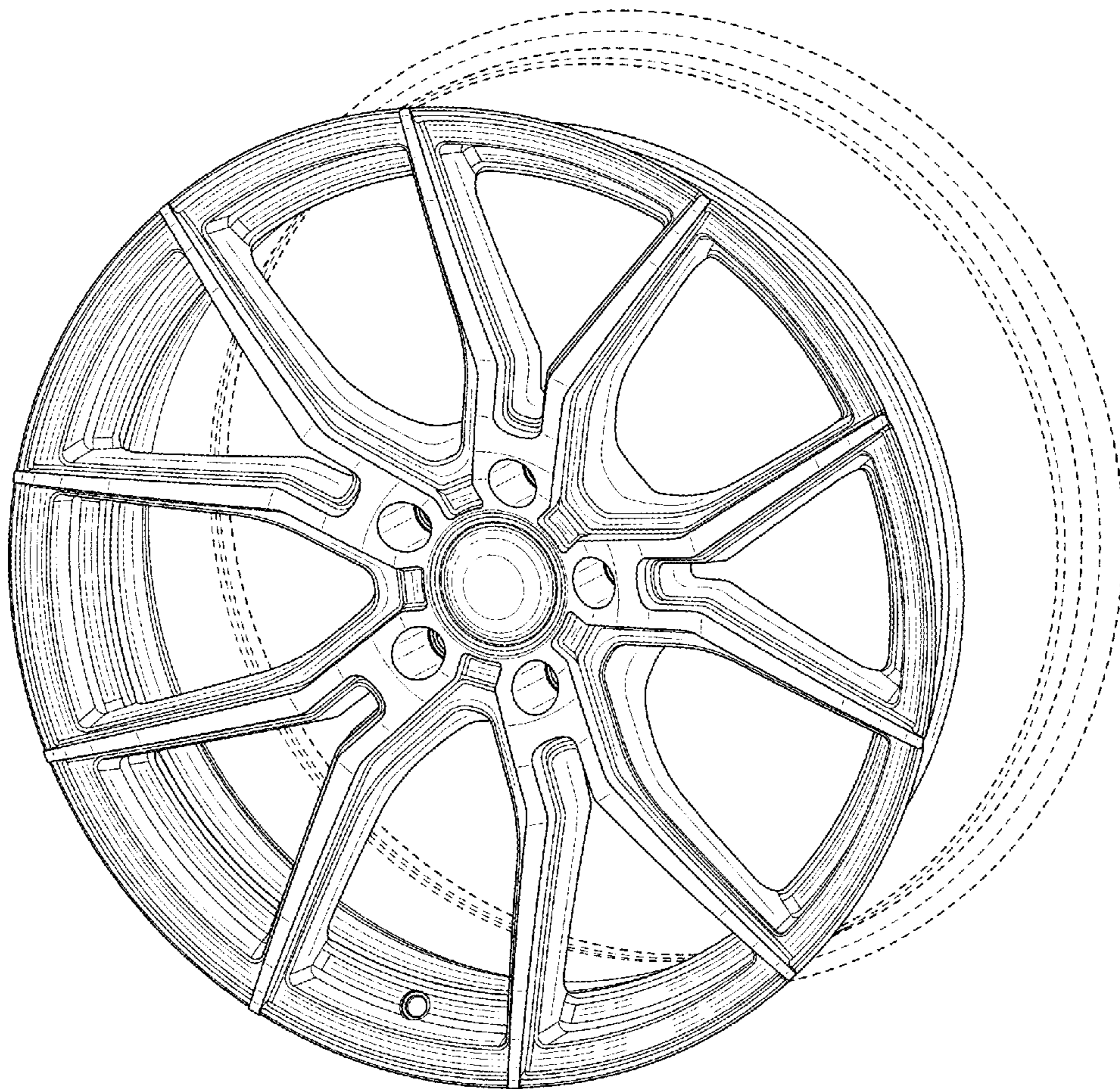


FIG. 1

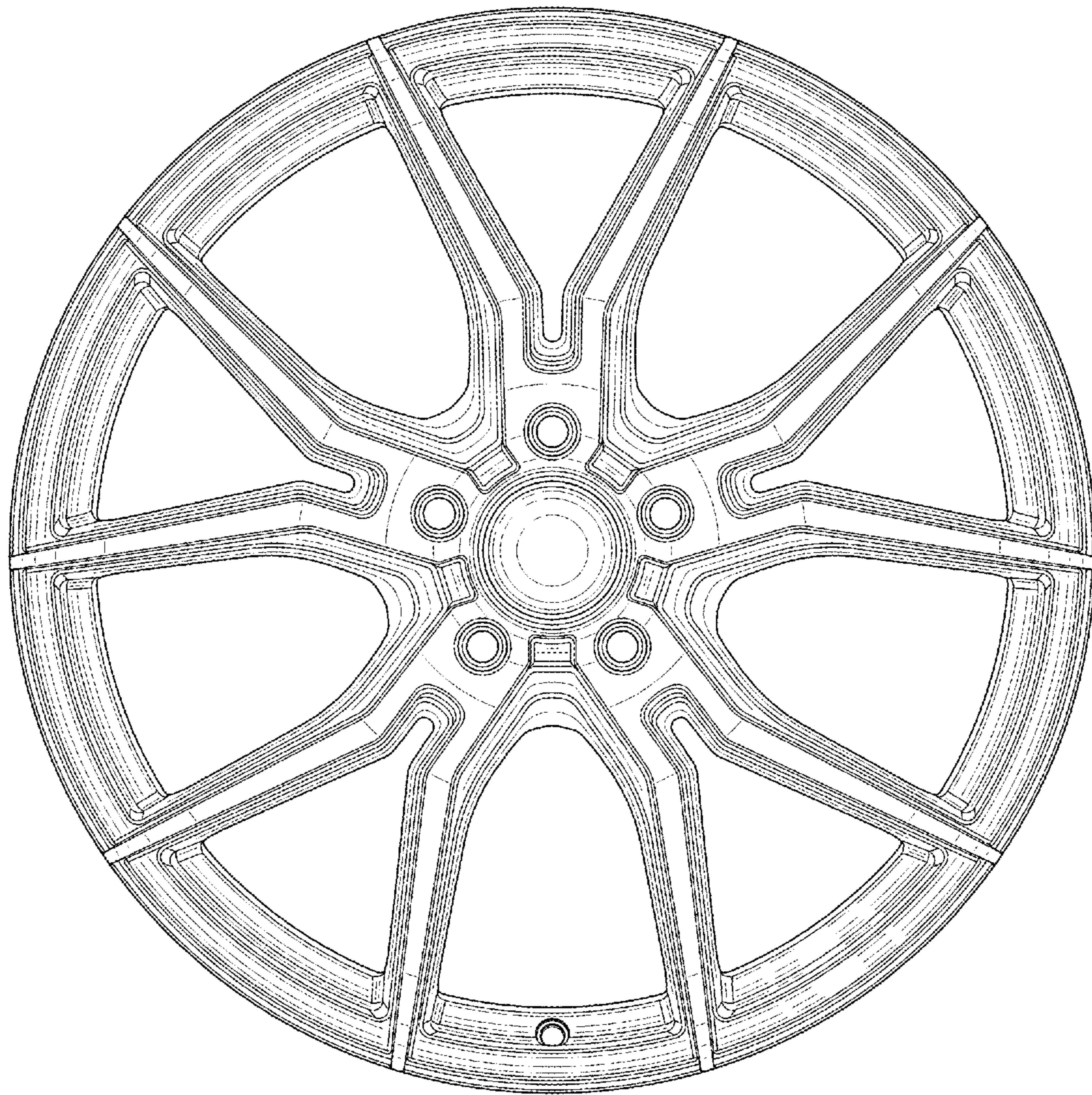


FIG. 2

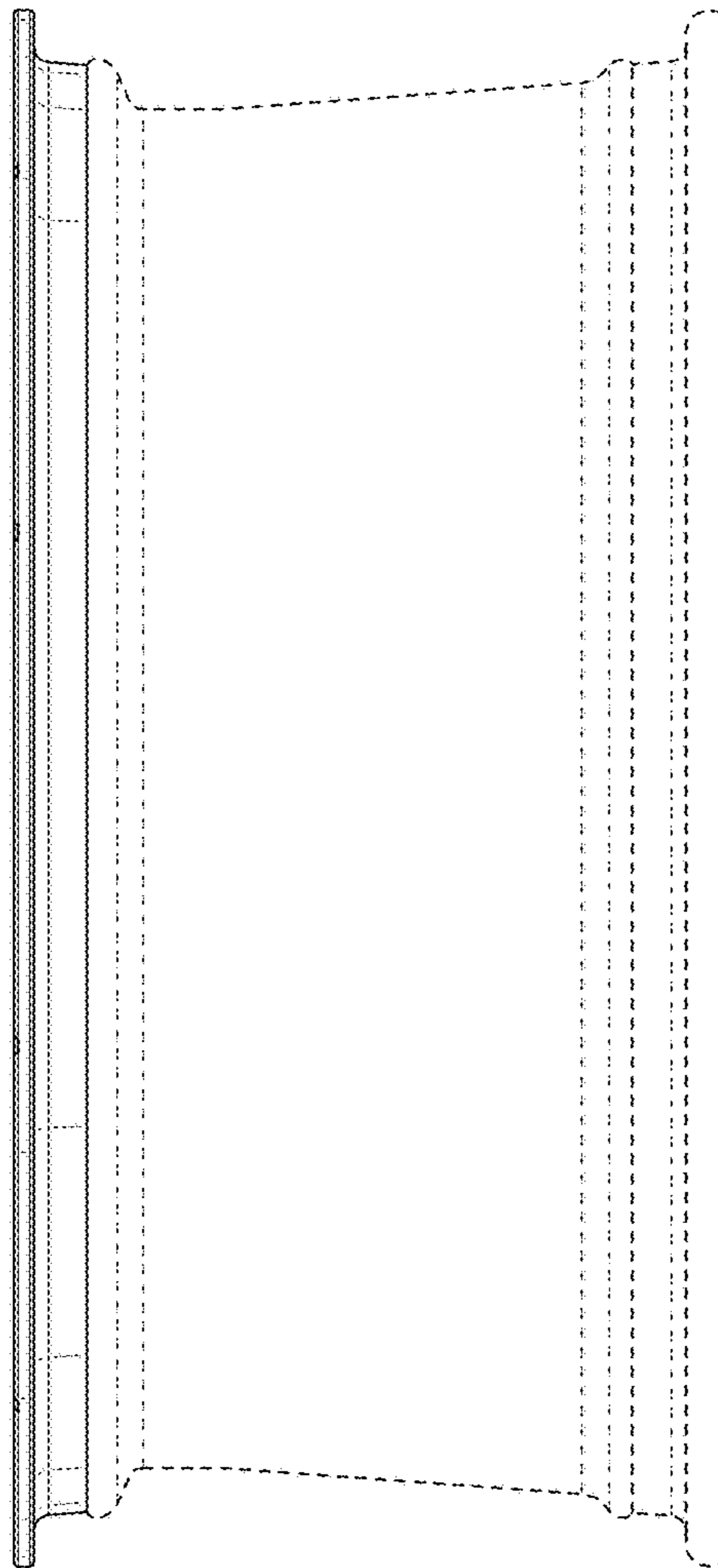


FIG. 3