



US00D842201S

(12) **United States Design Patent**  
**Han**

(10) **Patent No.:** **US D842,201 S**

(45) **Date of Patent:** **\*\* Mar. 5, 2019**

(54) **AUTOMOTIVE WHEEL**

(71) Applicant: **Donnie Han**, Corona, CA (US)

(72) Inventor: **Donnie Han**, Corona, CA (US)

(\*\*) Term: **15 Years**

(21) Appl. No.: **29/622,407**

(22) Filed: **Oct. 17, 2017**

(51) **LOC (11) Cl.** ..... **12-16**

(52) **U.S. Cl.**  
USPC ..... **D12/209**

(58) **Field of Classification Search**  
USPC ..... D12/204–213; D21/533, 561, 563  
CPC .... B60B 7/00; B60B 7/02; B60B 7/04; B60B  
7/06; B60B 3/02; B60B 3/04; B60B 3/06;  
B60B 3/10; B60B 1/00; B60B 1/08;  
B60B 1/10; B60B 1/12  
See application file for complete search history.

(56) **References Cited**

**U.S. PATENT DOCUMENTS**

D578,457 S \* 10/2008 Guidry ..... D12/211  
D797,030 S \* 9/2017 Chung ..... D12/211

D799,399 S \* 10/2017 Chung ..... D12/211  
D828,270 S \* 9/2018 Aslam ..... D12/211  
D830,265 S \* 10/2018 Chung ..... D12/209  
D830,272 S \* 10/2018 Aslam ..... D12/213  
D830,941 S \* 10/2018 Hamilton ..... D12/211  
D833,943 S \* 11/2018 Chung ..... D12/209

\* cited by examiner

*Primary Examiner* — Sheryl Lane  
*Assistant Examiner* — Calvin E Vansant

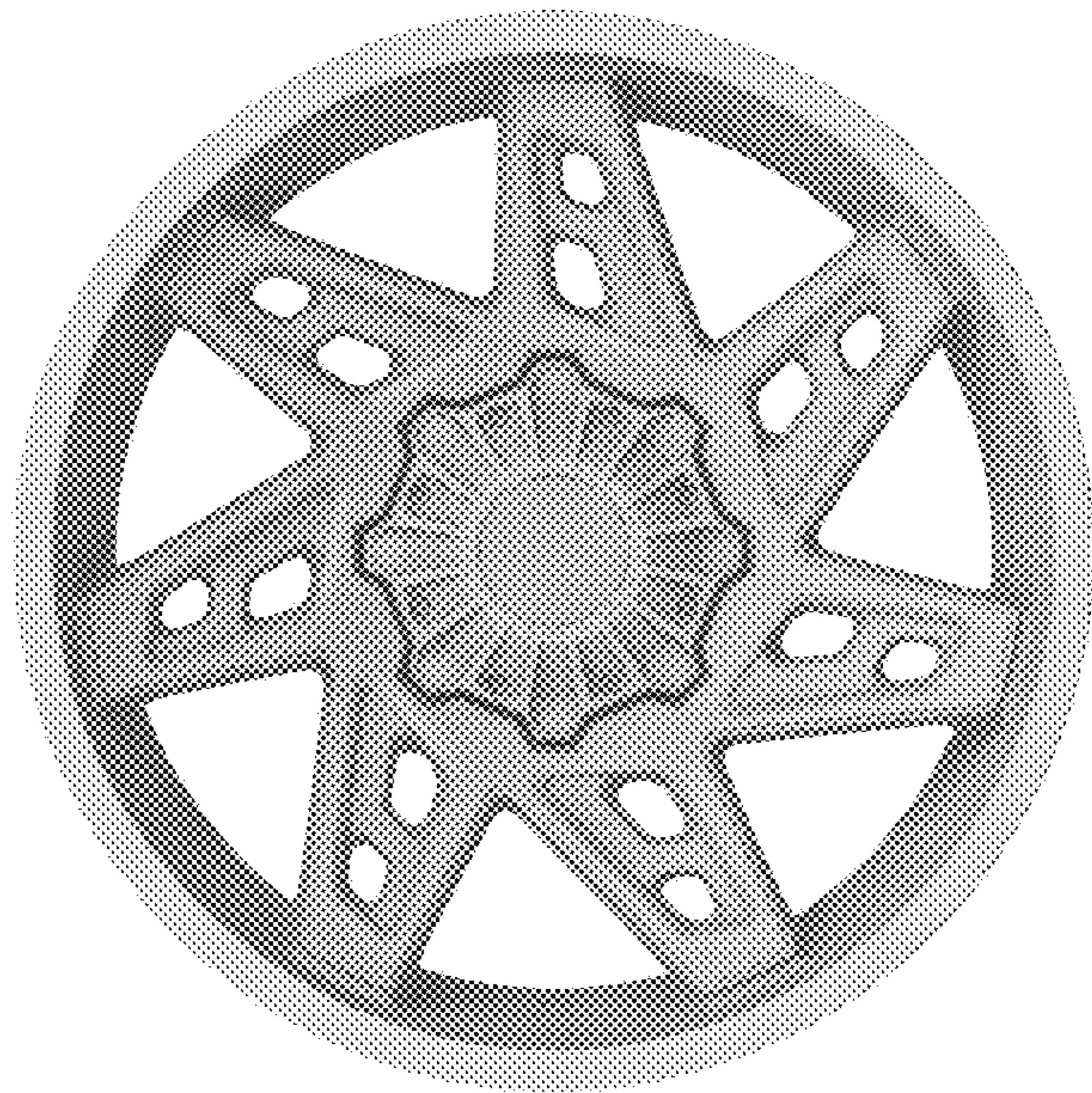
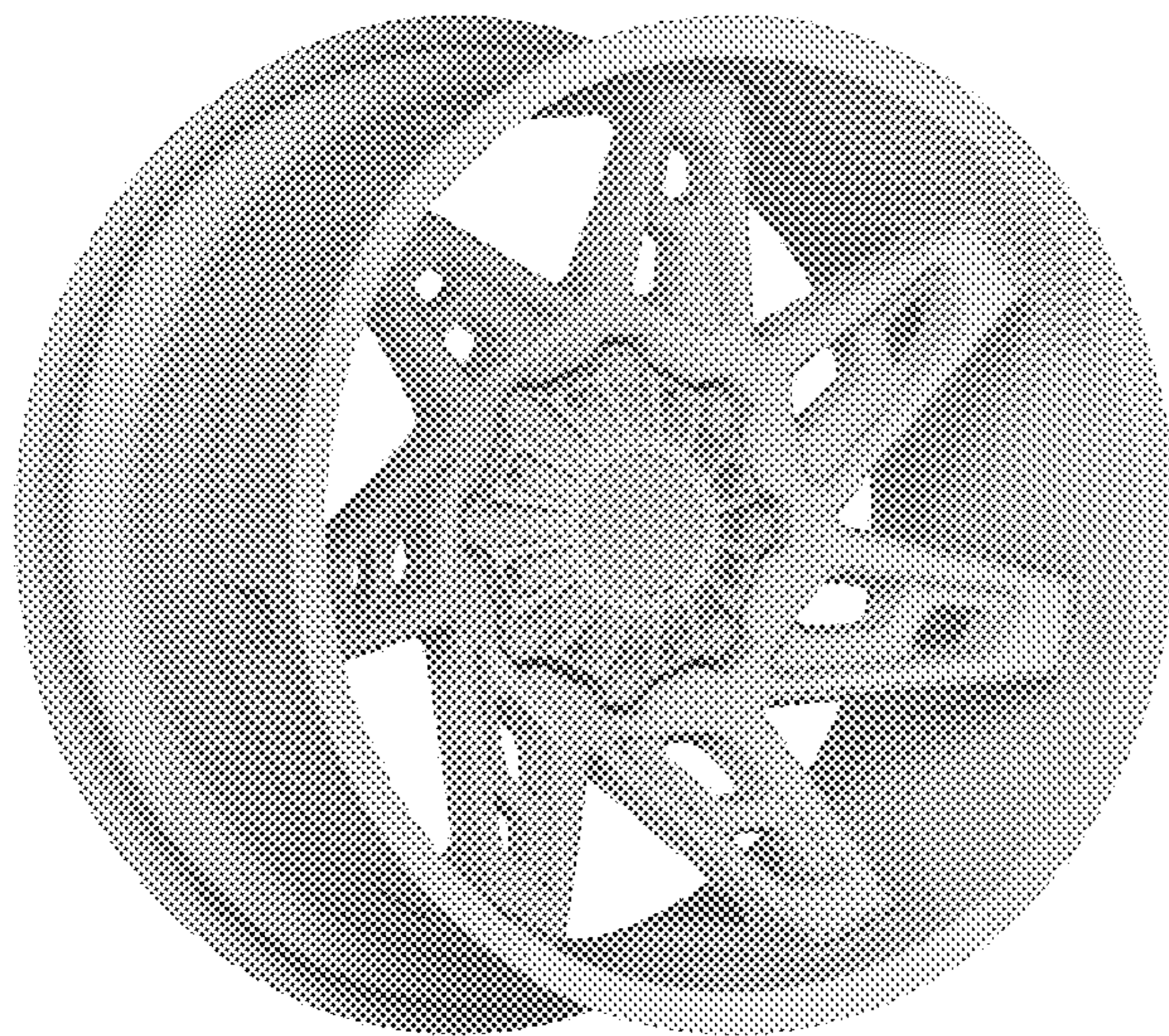
(57) **CLAIM**

The ornamental design for an automotive wheel, as shown and described.

**DESCRIPTION**

FIG. 1 is a perspective view of an automotive wheel, showing my new design;  
FIG. 2 is a front view thereof;  
FIG. 3 is a perspective view of the automotive wheel of FIG. 1 with the center cap removed for illustrative clarity; and, FIG. 4 is a front view of FIG. 3.

**1 Claim, 4 Drawing Sheets**



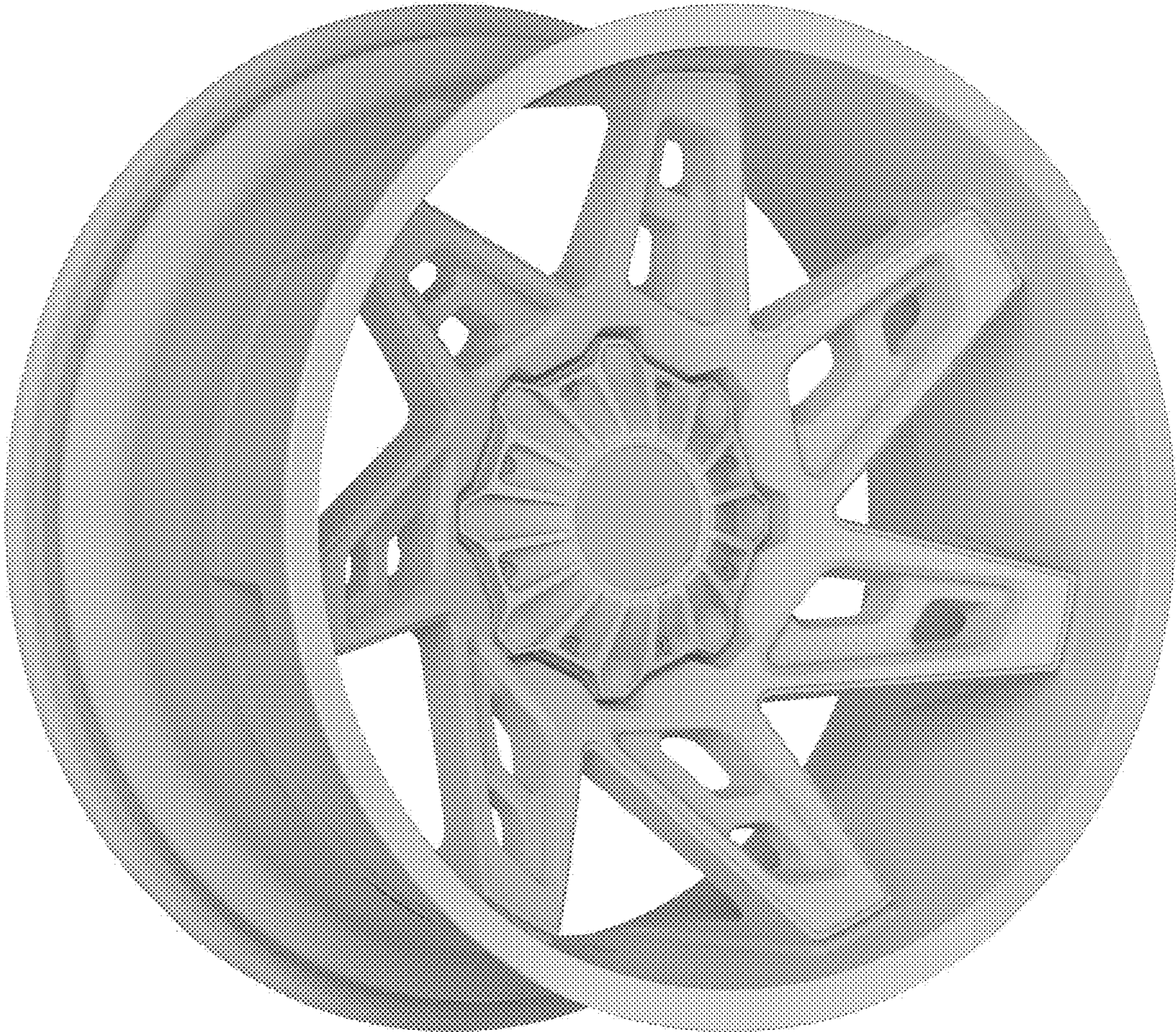


FIGURE 1

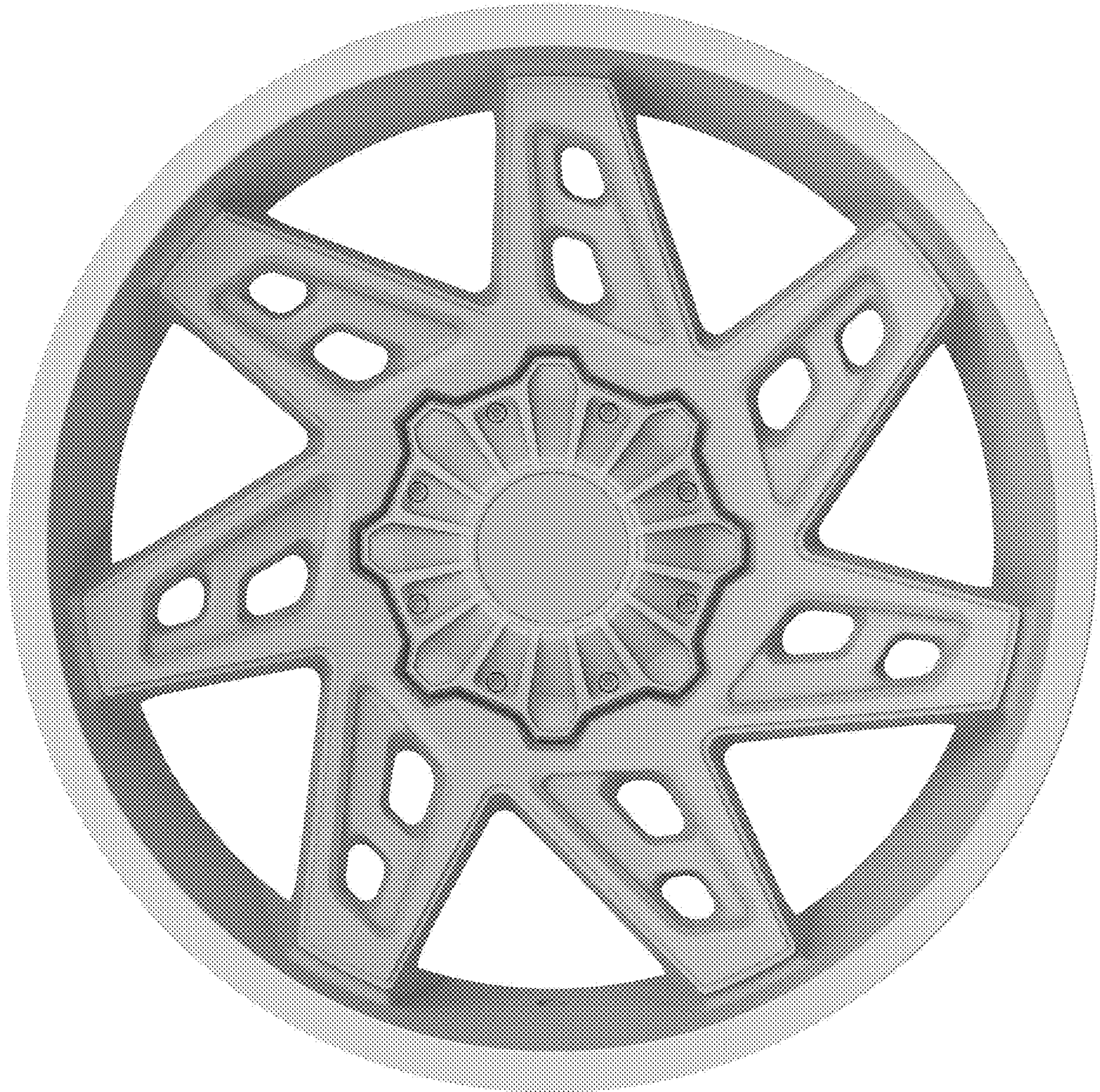


FIGURE 2

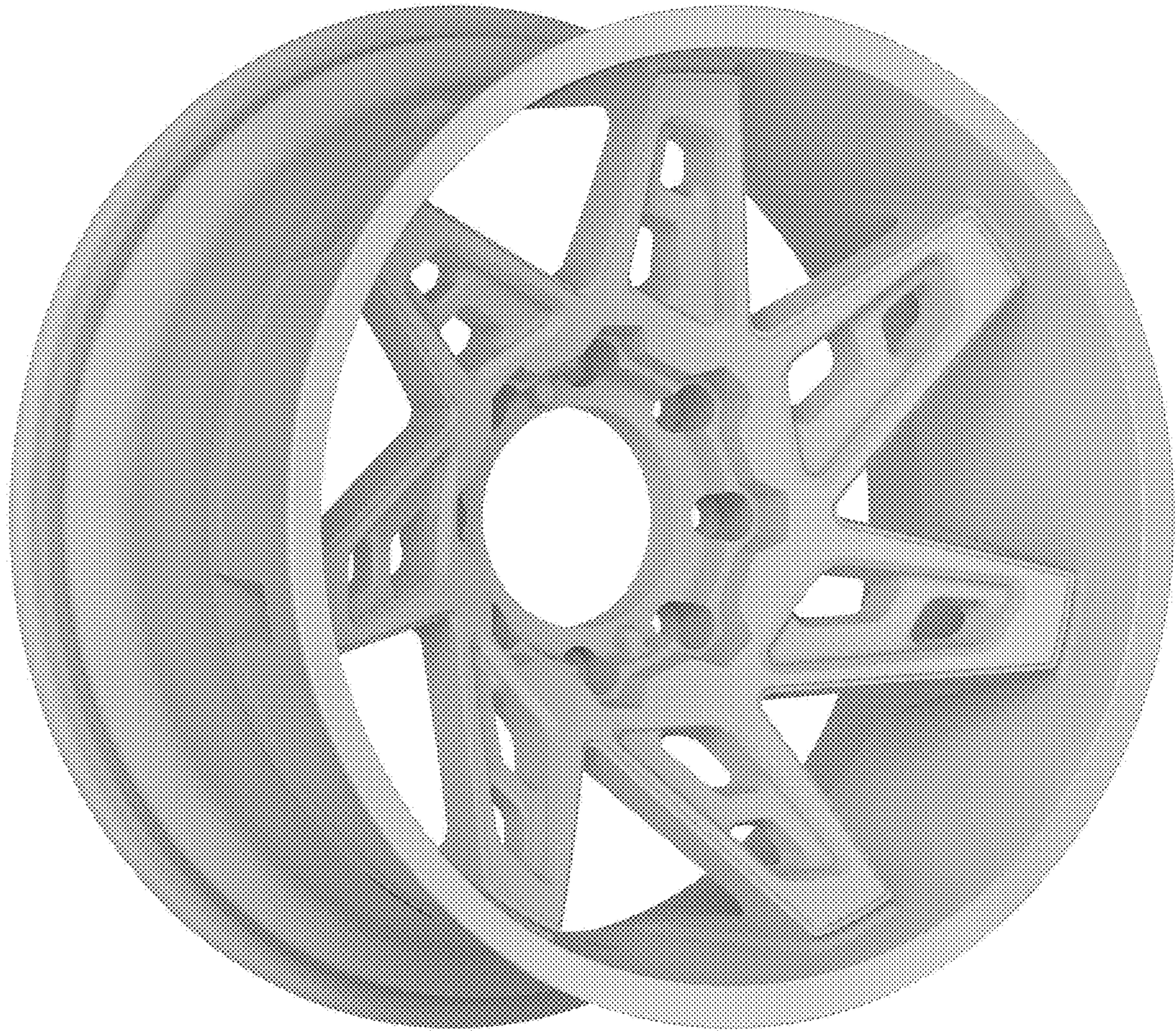


FIGURE 3

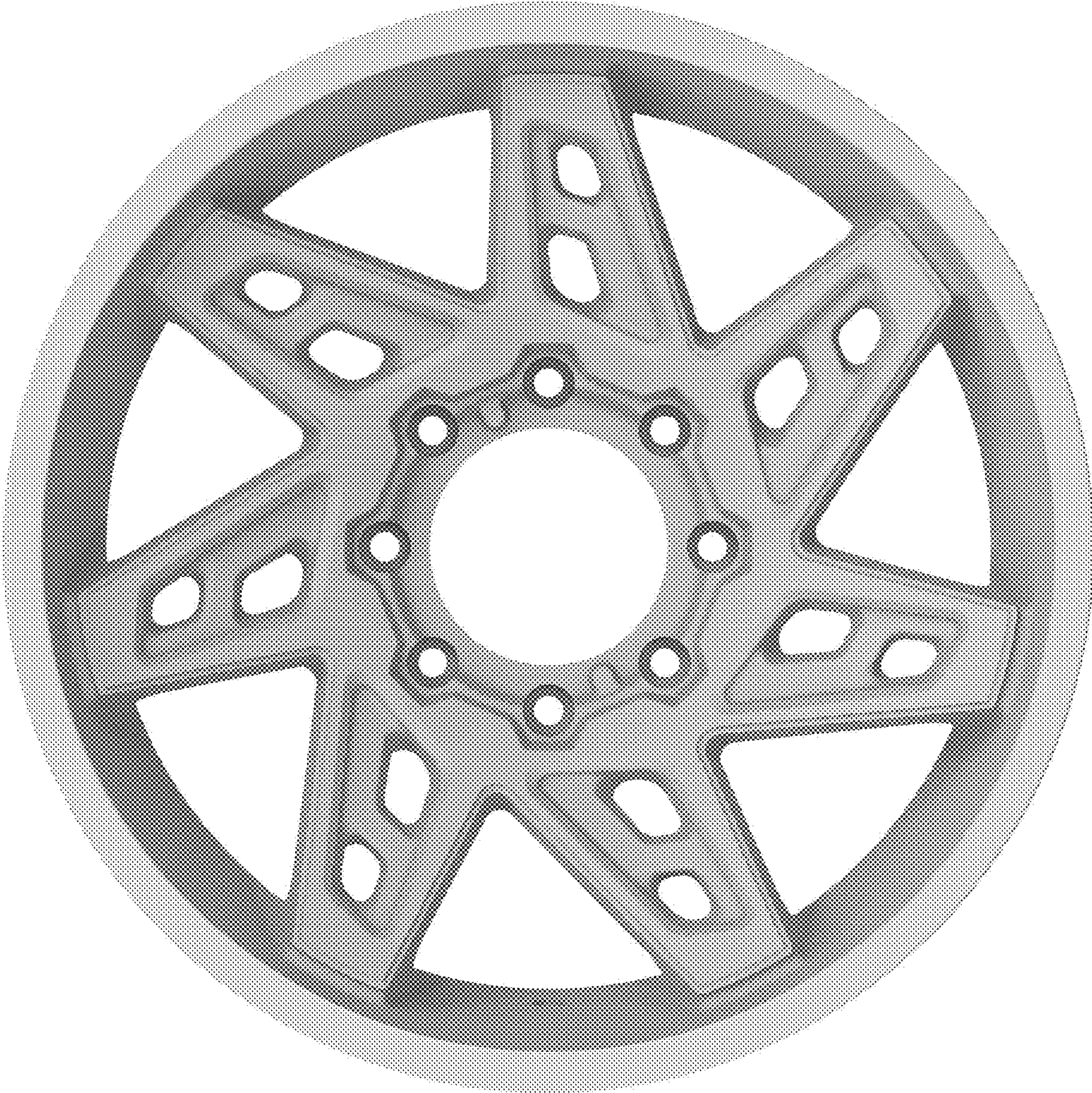


FIGURE 4