



US00D842197S

(12) **United States Design Patent**  
**Han**

(10) **Patent No.:** **US D842,197 S**

(45) **Date of Patent:** **\*\* Mar. 5, 2019**

(54) **AUTOMOTIVE WHEEL**

(71) Applicant: **Donnie Han**, Corona, CA (US)

(72) Inventor: **Donnie Han**, Corona, CA (US)

(\*\*) Term: **15 Years**

(21) Appl. No.: **29/622,288**

(22) Filed: **Oct. 16, 2017**

(51) **LOC (11) Cl.** ..... **12-16**

(52) **U.S. Cl.**  
USPC ..... **D12/209**

(58) **Field of Classification Search**  
USPC ..... D12/204–213; D21/533, 561, 563  
CPC .... B60B 7/00; B60B 7/02; B60B 7/04; B60B  
7/06; B60B 3/02; B60B 3/04; B60B 3/06;  
B60B 3/10; B60B 1/00; B60B 1/08;  
B60B 1/10; B60B 1/12  
See application file for complete search history.

(56) **References Cited**

**U.S. PATENT DOCUMENTS**

D439,212 S *	3/2001	Neeper	.....	D12/211
D452,838 S *	1/2002	Hieke	.....	D12/209
D466,066 S *	11/2002	Bintoro	.....	D12/211
D535,934 S *	1/2007	Scheu	.....	D12/211
D541,204 S *	4/2007	Huet	.....	D12/211
D597,916 S *	8/2009	Chung	.....	D12/209
D603,778 S *	11/2009	Chung	.....	D12/211
D651,957 S *	1/2012	Chung	.....	D12/209
D664,910 S *	8/2012	Gallert	.....	D12/211
D741,241 S *	10/2015	Hale, Jr.	.....	D12/211

D744,399 S *	12/2015	Juergens	.....	D12/209
D749,030 S *	2/2016	Zhao	.....	D12/211
D772,133 S *	11/2016	Stone	.....	D12/211
D779,408 S *	2/2017	Chung	.....	D12/211
D783,487 S *	4/2017	Koglin	.....	D12/209
D792,829 S *	7/2017	Kim	.....	D12/211
D808,881 S *	1/2018	Simpson	.....	D12/211
D821,282 S *	6/2018	Gallert	.....	D12/209
D821,285 S *	6/2018	Zhao	.....	D12/211
D830,278 S *	10/2018	Aslam	.....	D12/213
D832,764 S *	11/2018	Valencia Pollex	.....	D12/211
D833,949 S *	11/2018	Sempek	.....	D12/211

\* cited by examiner

*Primary Examiner* — Sheryl Lane  
*Assistant Examiner* — Calvin E Vansant

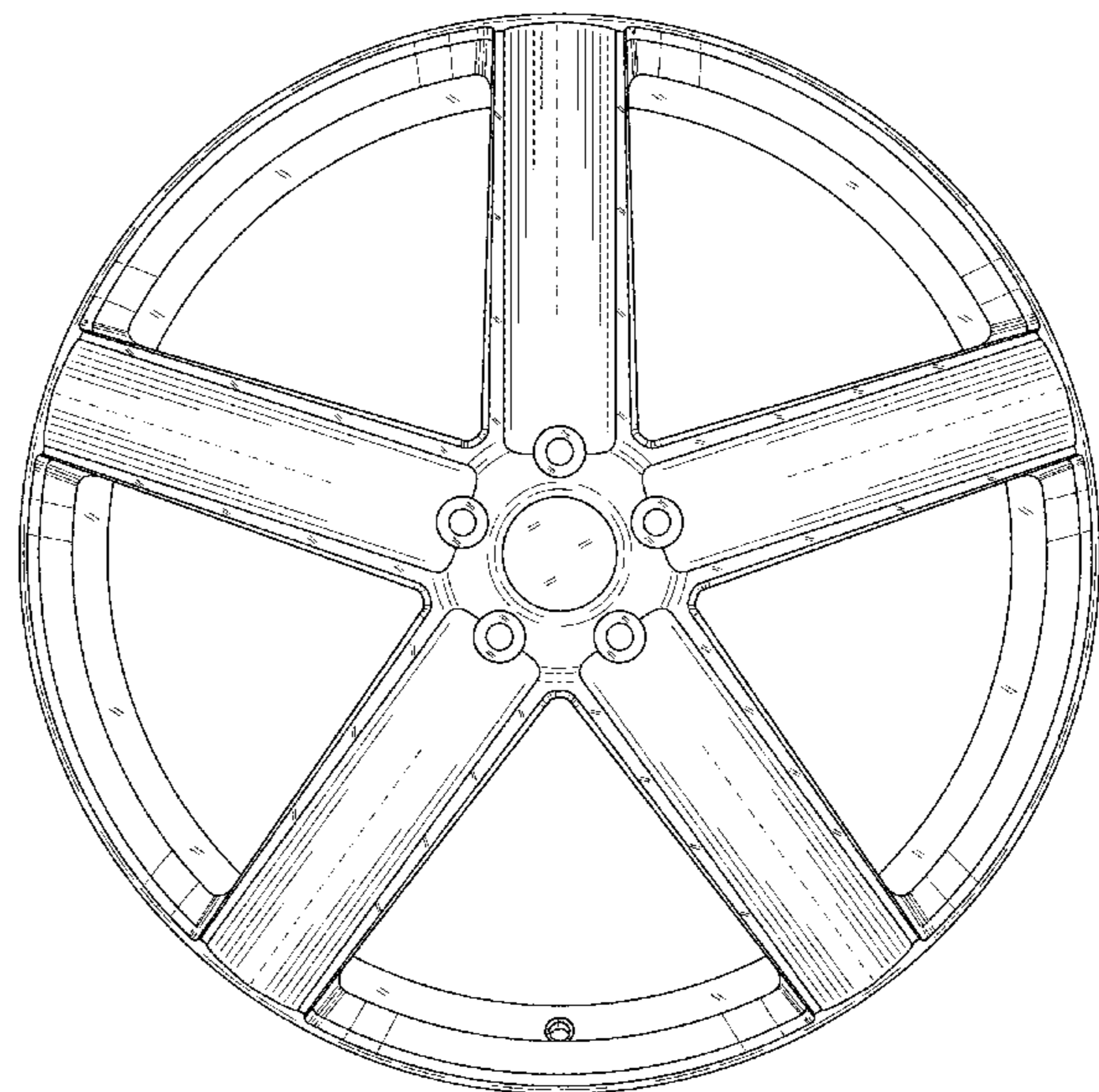
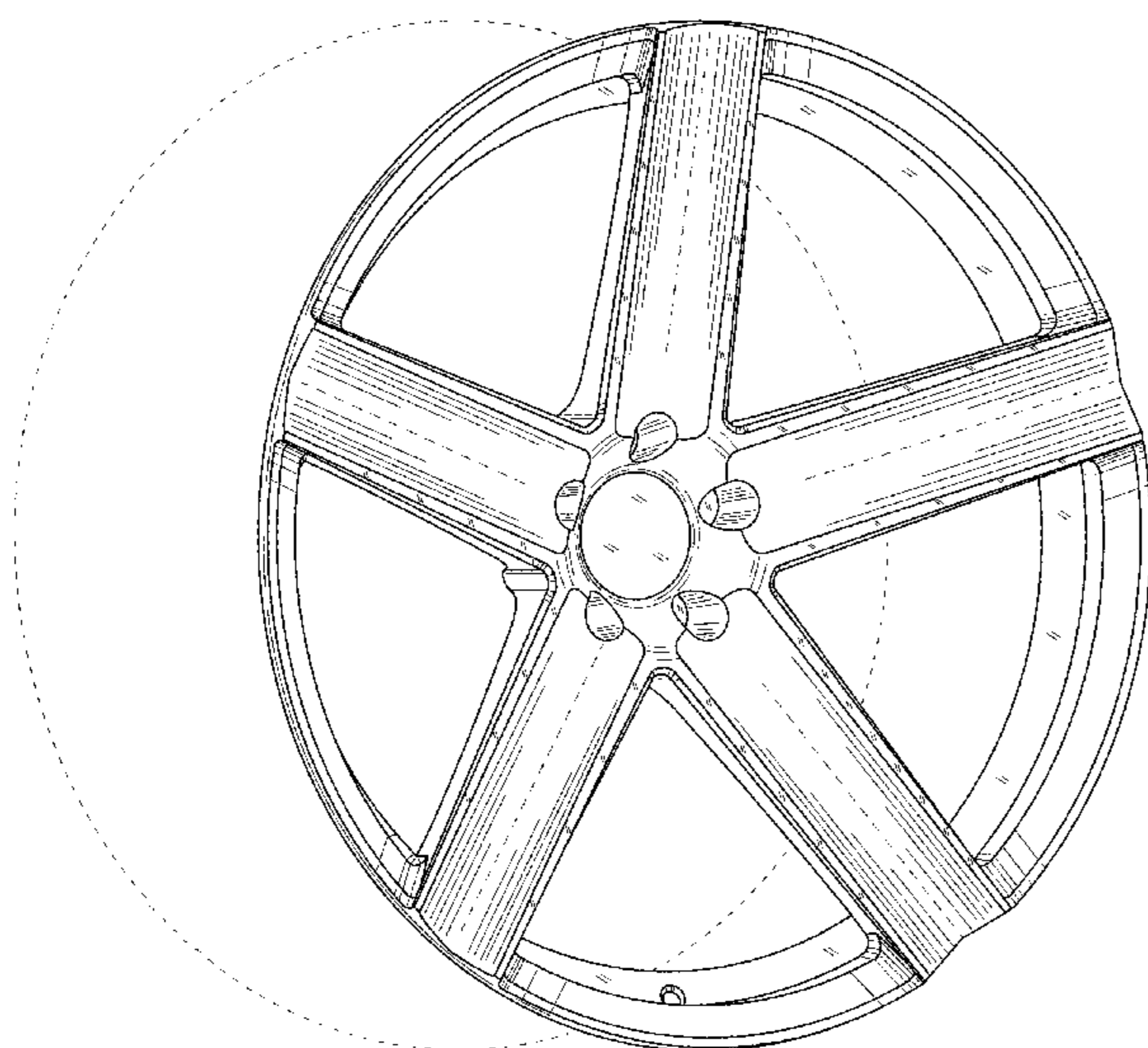
(57) **CLAIM**

The ornamental design for an automotive wheel, as shown and described.

**DESCRIPTION**

FIG. 1 is a perspective view of an automotive wheel, showing my new design;  
FIG. 2 is a front view thereof;  
FIG. 3 is a perspective view of the automotive wheel of FIG. 1 with the center cap removed for illustrative clarity; and, FIG. 4 is a front view of FIG. 3.  
The broken line showing of the wheel is included for the purpose of illustrating environment and forms no part of the claimed design.

**1 Claim, 4 Drawing Sheets**



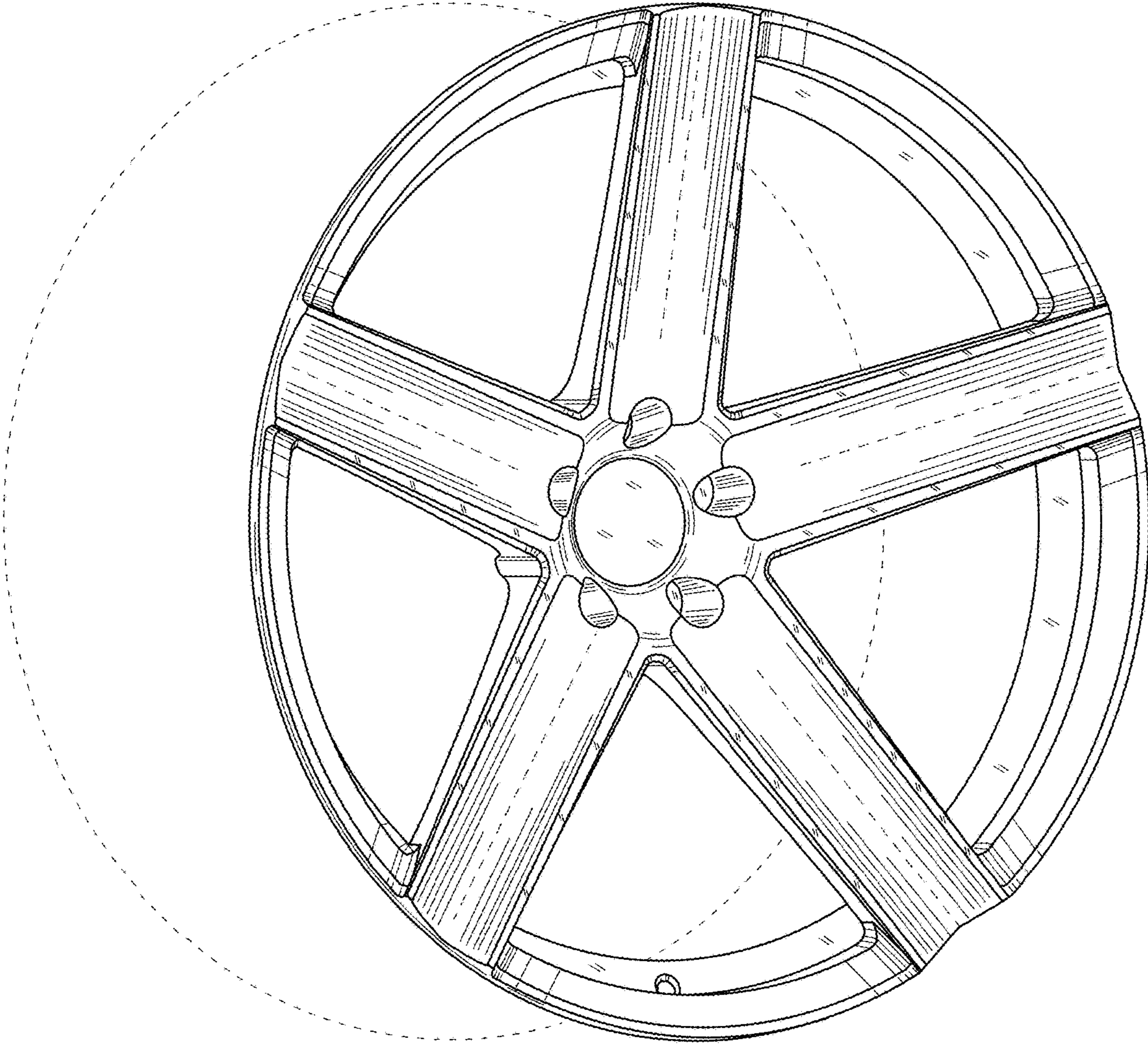


FIGURE 1

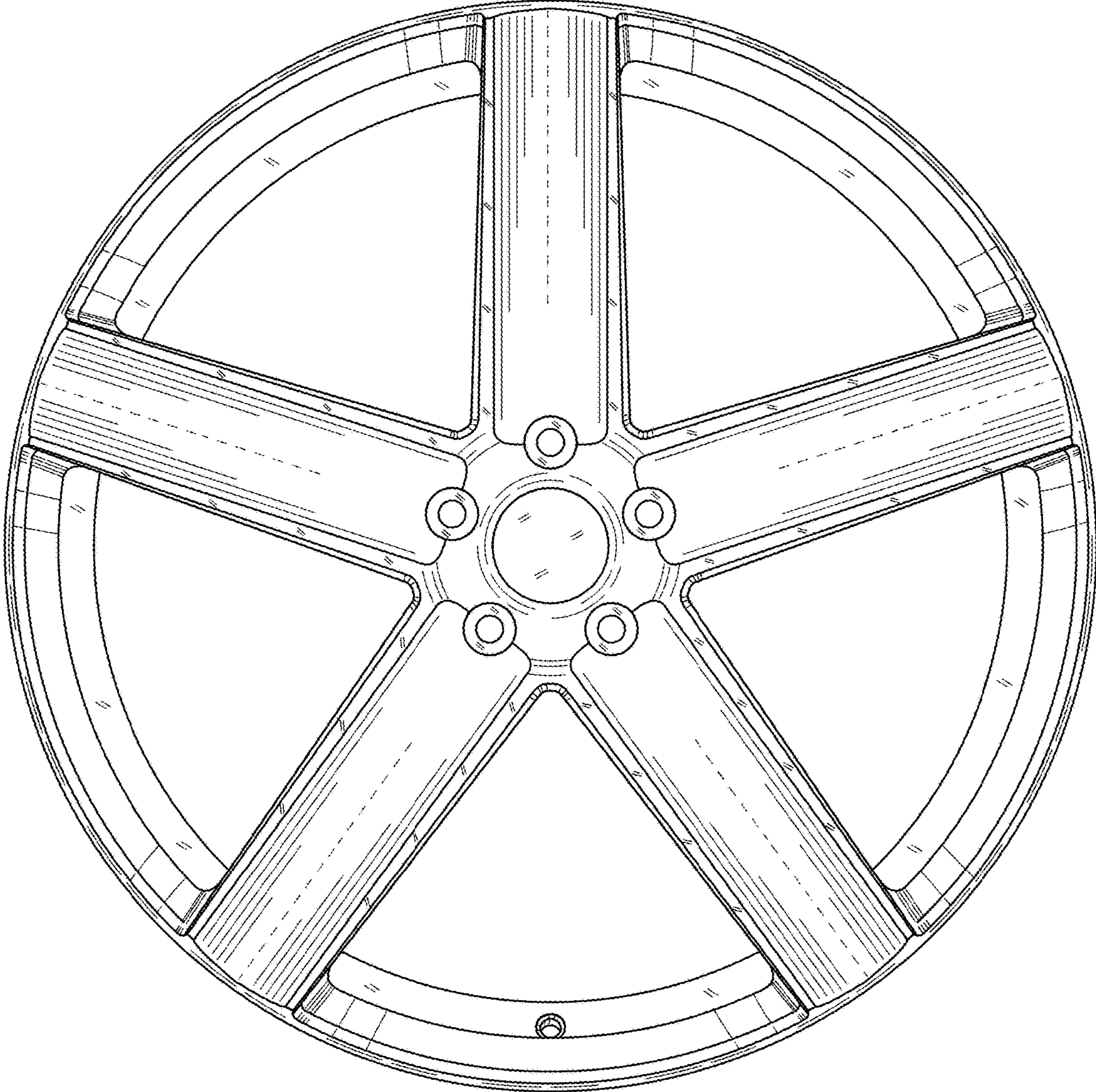


FIGURE 2

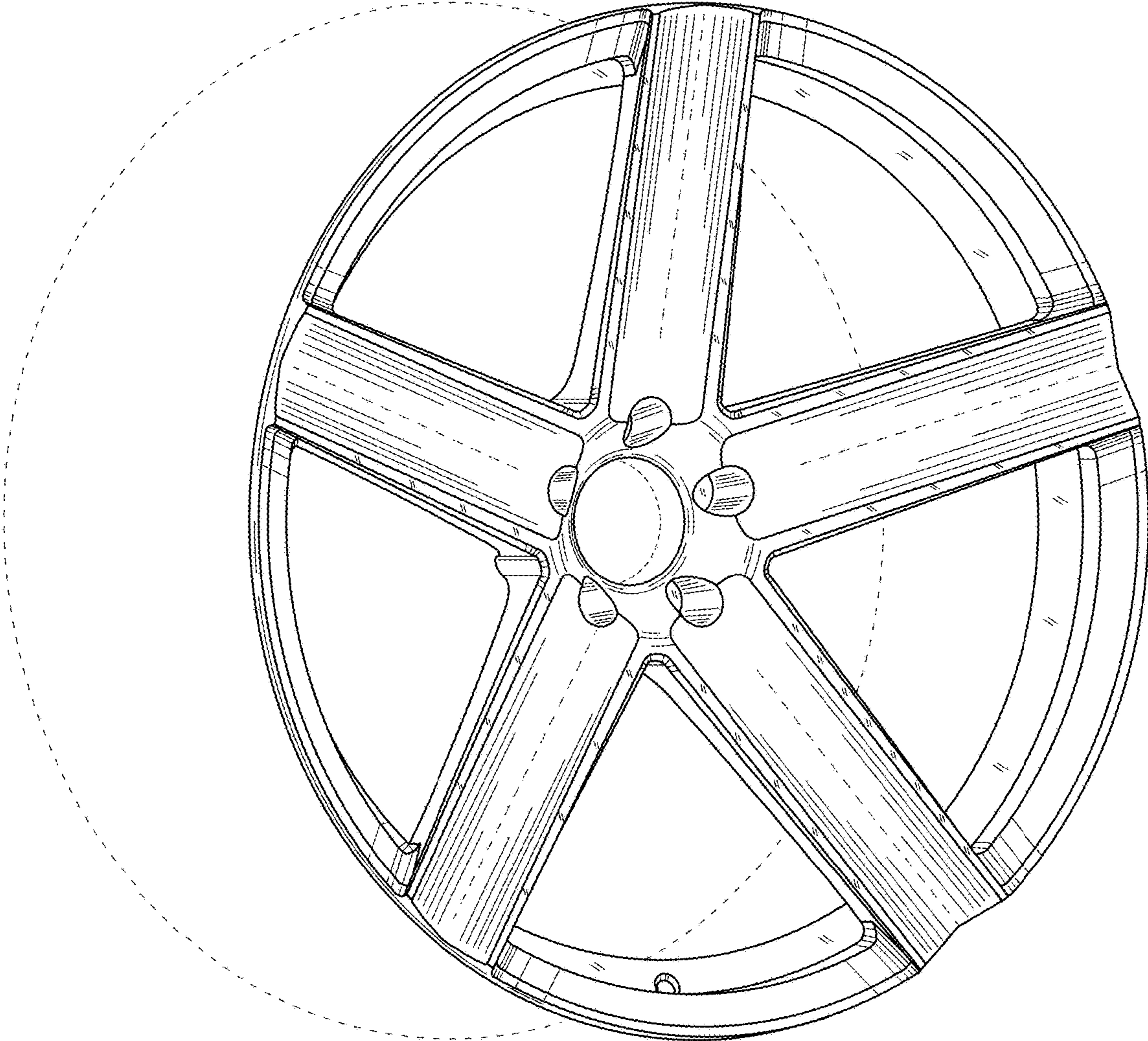


FIGURE 3

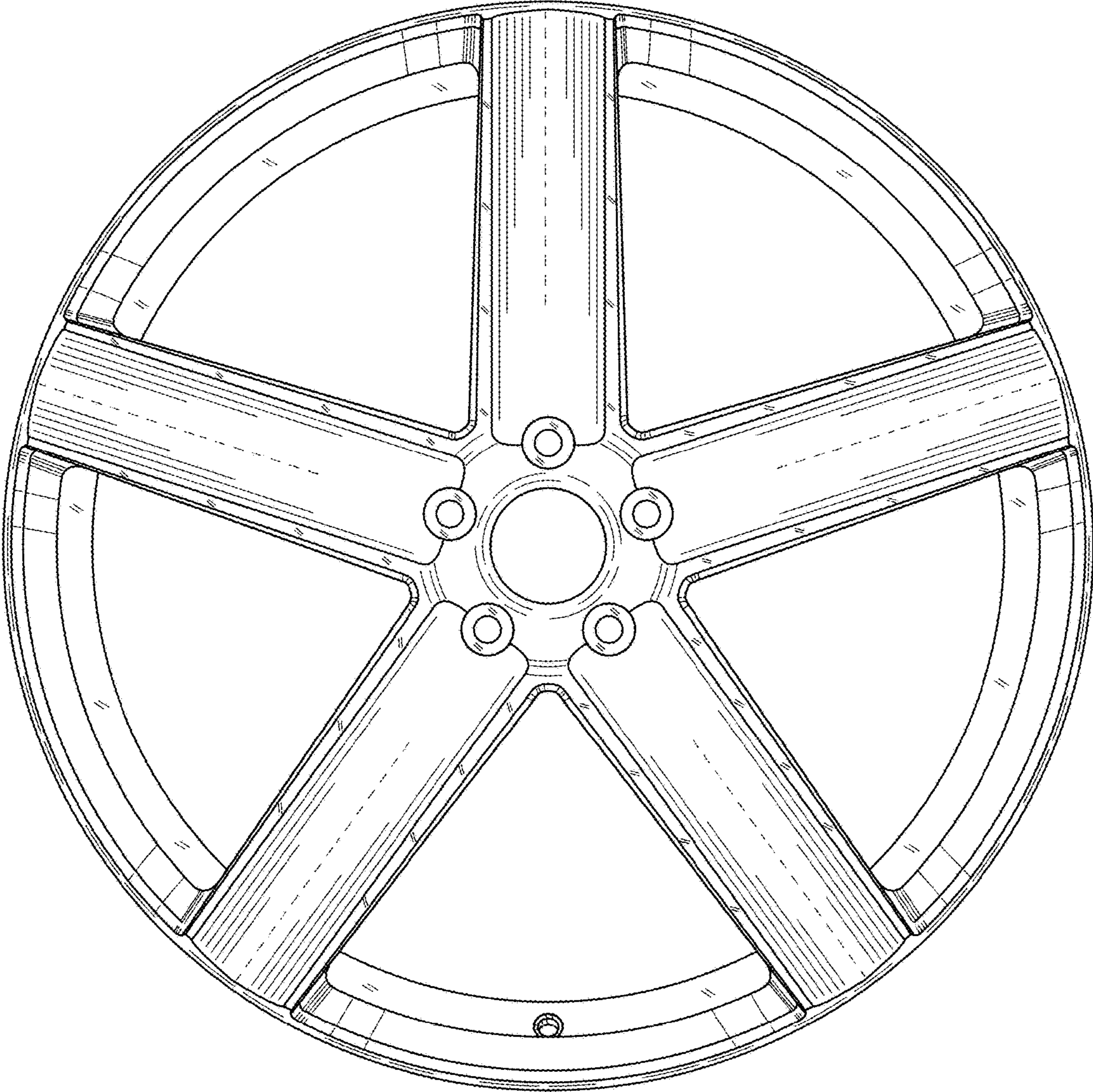


FIGURE 4