



US00D842186S

(12) **United States Design Patent**
Kong

(10) **Patent No.:** **US D842,186 S**

(45) **Date of Patent:** **** Mar. 5, 2019**

(54) **WHEEL**

(71) Applicant: **Wheel Pros, LLC**, Greenwood Village,
CO (US)

(72) Inventor: **Yee Wan Kong**, Hong Kong (HK)

(**) Term: **15 Years**

(21) Appl. No.: **29/608,098**

(22) Filed: **Jun. 19, 2017**

(51) **LOC (11) Cl.** **12-16**

(52) **U.S. Cl.**
USPC **D12/209**

(58) **Field of Classification Search**
USPC D12/204–213
CPC B60B 7/00; B60B 7/02; B60B 7/04; B60B
7/01; B60B 7/06; B60B 3/02; B60B 3/04;
B60B 3/06; B60B 3/10; B60B 1/00;
B60B 1/08; B60B 1/10; B60B 1/12
See application file for complete search history.

(56) **References Cited**

U.S. PATENT DOCUMENTS

D380,433 S * 7/1997 Chung D12/209
D400,841 S * 11/1998 Sacco D12/209

D408,004 S * 4/1999 Cullen D12/209
D425,471 S * 5/2000 Hussaini D12/209
D431,518 S * 10/2000 Fitzgerald D12/209
D438,161 S * 2/2001 Ong D12/209
D799,399 S * 10/2017 Chung D12/211
D817,843 S * 5/2018 Hale, Jr. D12/209
D818,410 S * 5/2018 Hale, Jr. D12/209
D822,575 S * 7/2018 Chung D12/209
D823,432 S * 7/2018 Oh D23/209
D828,266 S * 9/2018 Garcia D12/209

* cited by examiner

Primary Examiner — Stacia A Cadmus

(74) *Attorney, Agent, or Firm* — Eric Hanscom

(57) **CLAIM**

The ornamental design for a wheel, as shown and described.

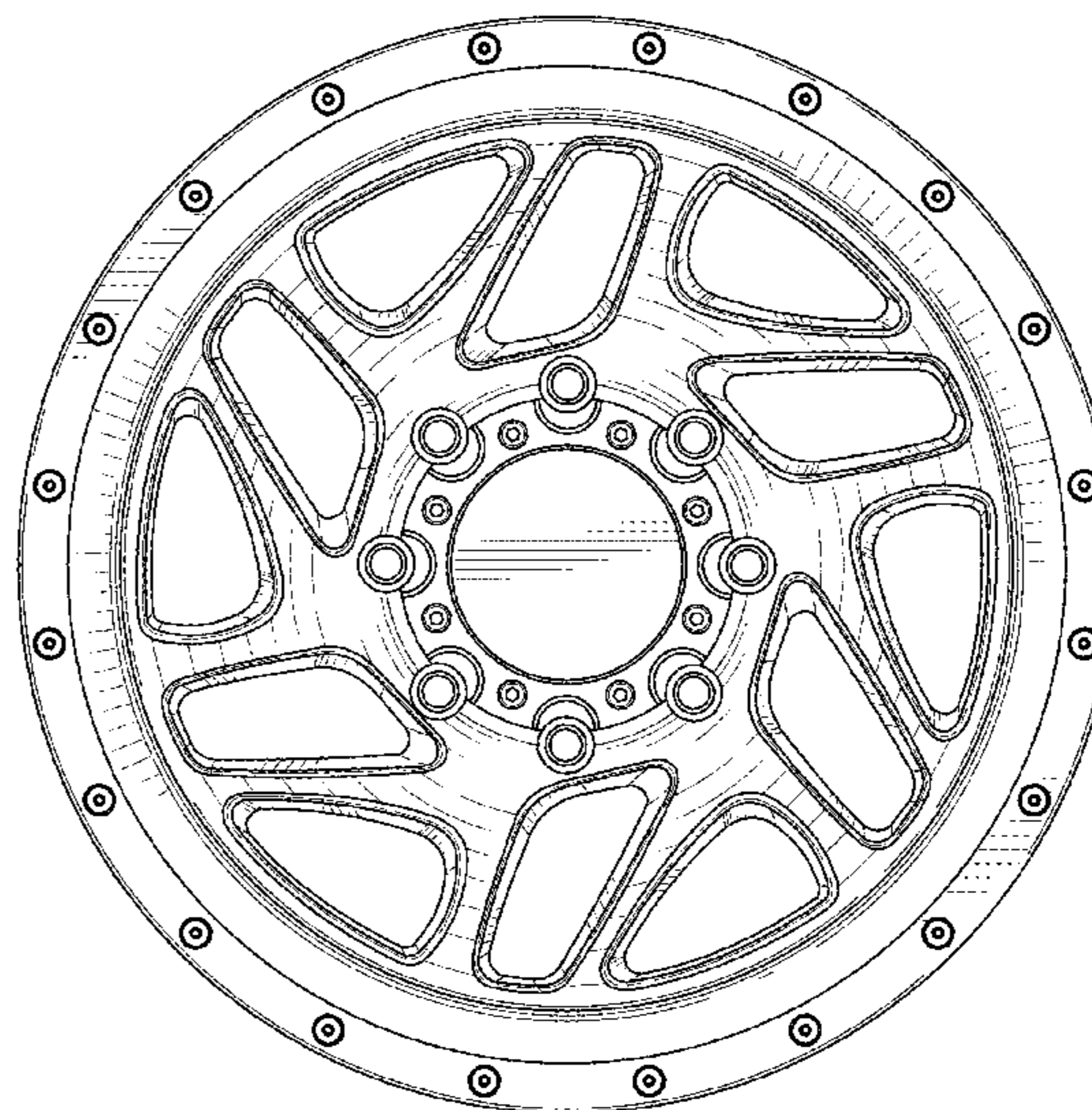
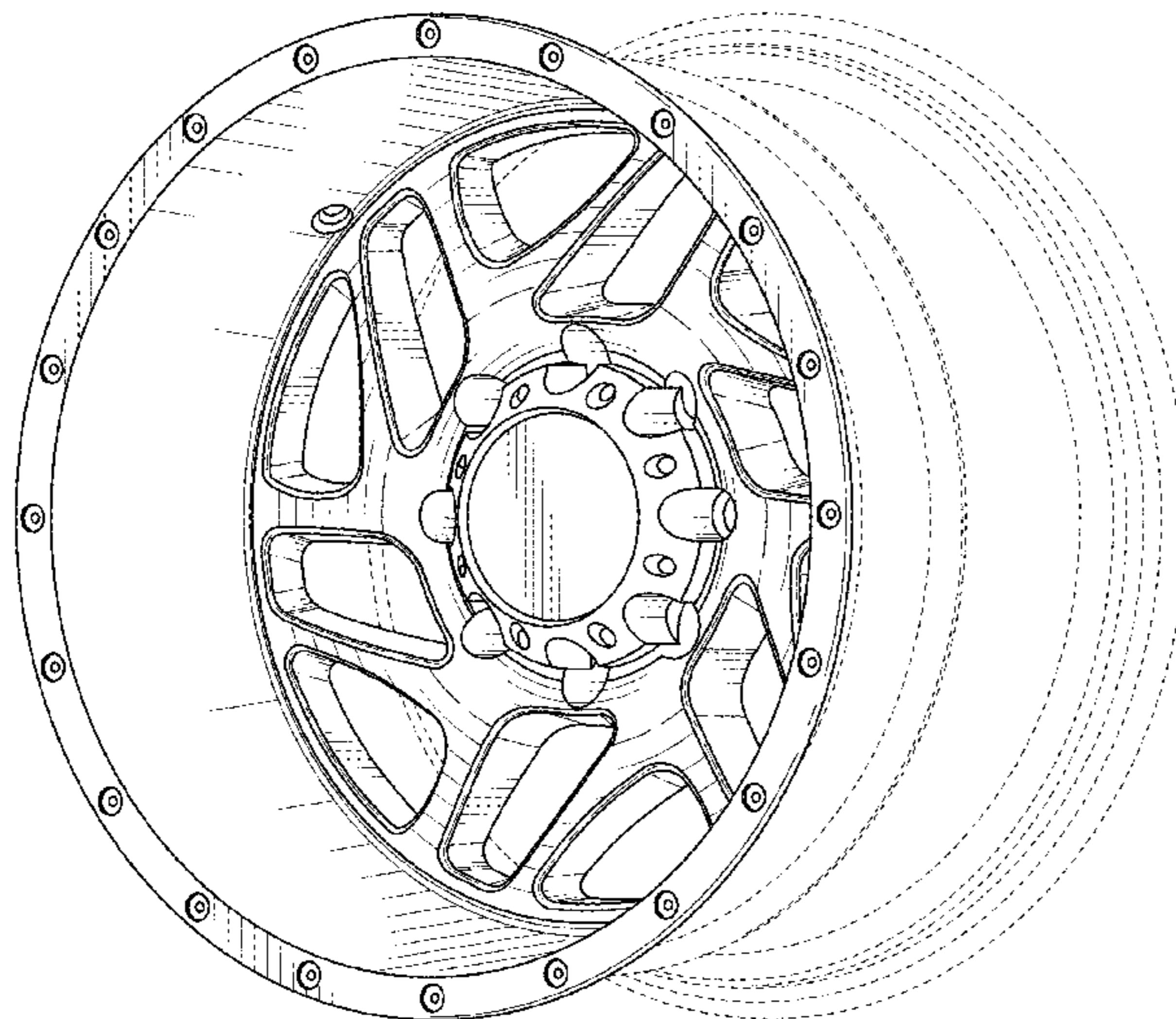
DESCRIPTION

FIG. 1 is a perspective view of a wheel showing my new design; and,

FIG. 2 is a front view thereof.

Dashed lines represent material that is not claimed by this patent, and are for purposes of illustration only. Applicant is claiming the front portion of the wheel only and makes no claim to the ornamental design of the sides or back of the wheel.

1 Claim, 2 Drawing Sheets



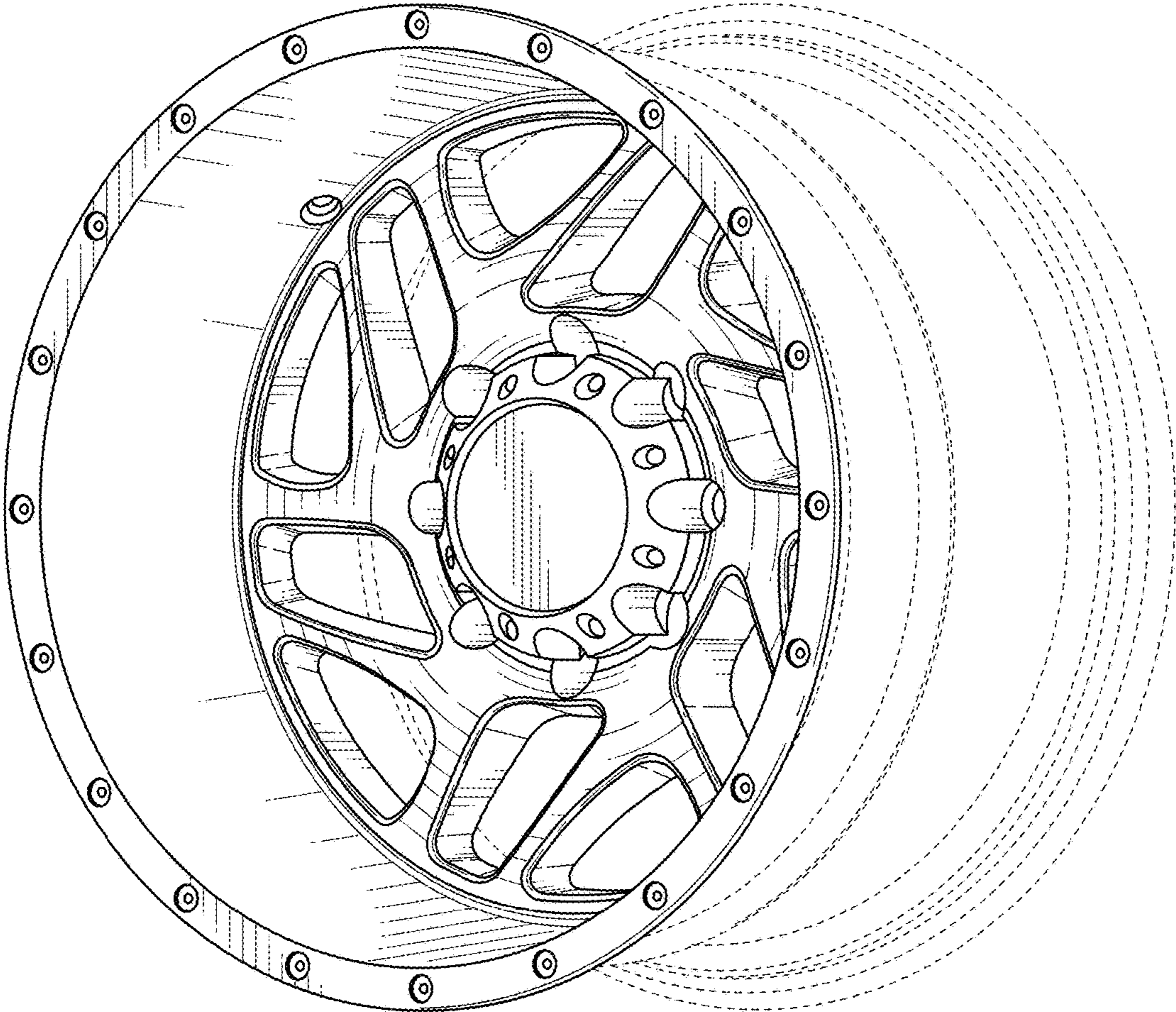


FIG. 1

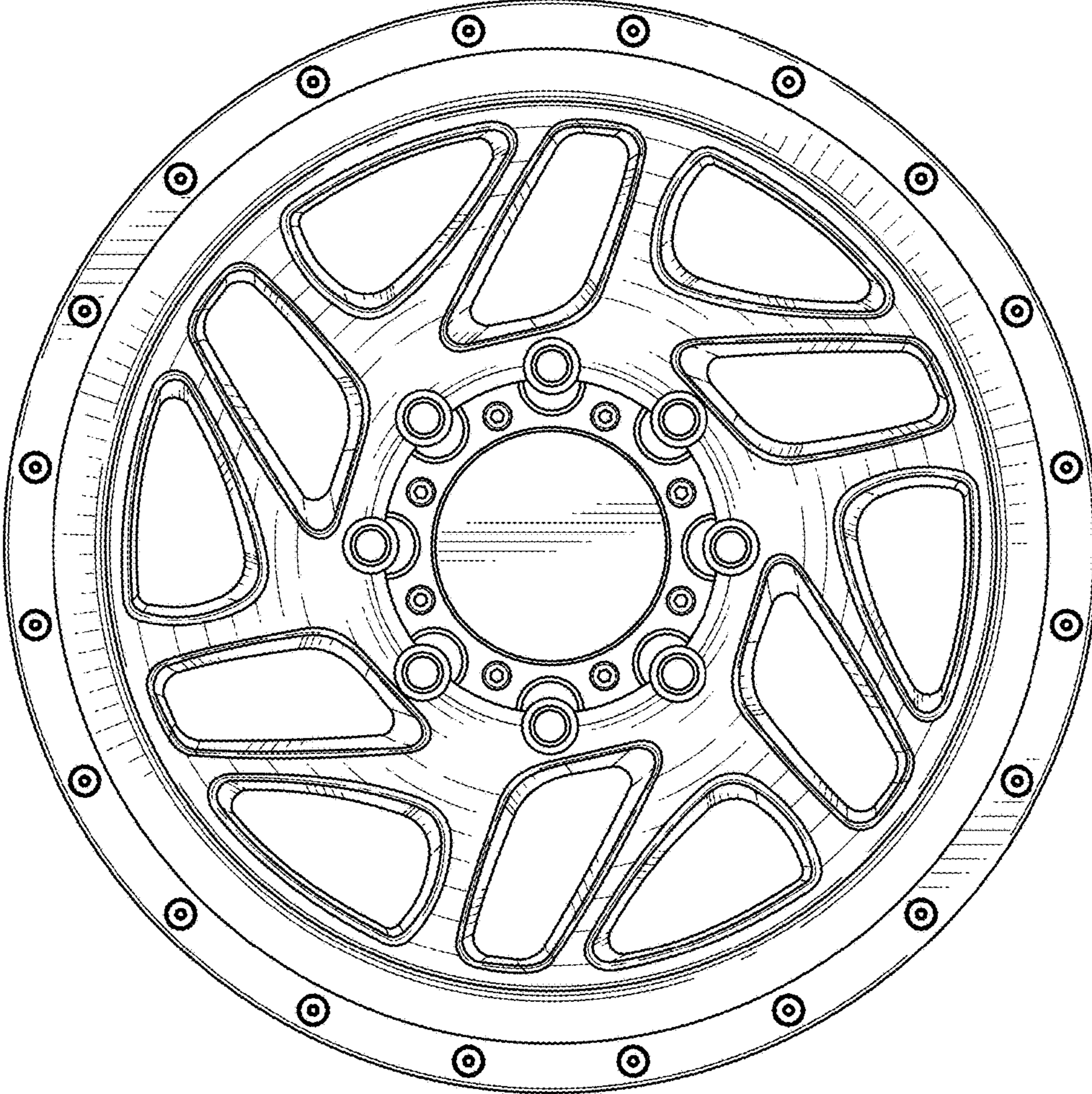


FIG. 2