



US00D842185S

(12) **United States Design Patent**  
**Chung**

(10) **Patent No.:** **US D842,185 S**

(45) **Date of Patent:** **\*\* Mar. 5, 2019**

(54) **AUTOMOTIVE WHEEL**

(71) Applicant: **Design Infini, Inc.**, Anaheim, CA (US)

(72) Inventor: **Suny Chung**, Anaheim, CA (US)

(73) Assignee: **Design Infini, Inc.**, Corona, CA (US)

(\*\*) Term: **15 Years**

(21) Appl. No.: **29/581,212**

(22) Filed: **Oct. 17, 2016**

(51) **LOC (11) Cl.** ..... **12-16**

(52) **U.S. Cl.**

USPC ..... **D12/209**

(58) **Field of Classification Search**

USPC ..... D12/204–213

CPC .... B60B 7/00; B60B 7/02; B60B 7/04; B60B 7/01; B60B 7/06; B60B 3/02; B60B 3/04; B60B 3/06; B60B 3/10; B60B 1/00; B60B 1/08; B60B 1/10; B60B 1/12

See application file for complete search history.

(56) **References Cited**

**U.S. PATENT DOCUMENTS**

D671,483 S *	11/2012	Chung	.....	D12/211
D704,121 S *	5/2014	Chung	.....	D12/211
D714,708 S *	10/2014	Chung	.....	D12/211
D719,496 S *	12/2014	Johnson	.....	D12/209
D721,318 S *	1/2015	Kim	.....	D12/211
D751,481 S *	3/2016	Chung	.....	D12/209

D751,966 S *	3/2016	Zhao	.....	D12/211
D817,245 S *	5/2018	Chung	.....	D12/209
D817,840 S *	5/2018	Chung	.....	D12/209

\* cited by examiner

*Primary Examiner* — Stacia A Cadmus

(74) *Attorney, Agent, or Firm* — Knobbe, Martens, Olson & Bear, LLP

(57) **CLAIM**

The ornamental design for an automotive wheel, as shown and described.

**DESCRIPTION**

FIG. 1 is a perspective view of an automotive wheel, showing my new design;

FIG. 2 is another perspective view thereof; and

FIG. 3 is a front view thereof.

FIG. 4 is a perspective view of a second embodiment of an automotive wheel, showing my new design;

FIG. 5 is another perspective view thereof; and

FIG. 6 is a front view thereof.

FIG. 7 is a perspective view of a third embodiment of an automotive wheel, showing my new design;

FIG. 8 is another perspective view thereof; and

FIG. 9 is a front view thereof.

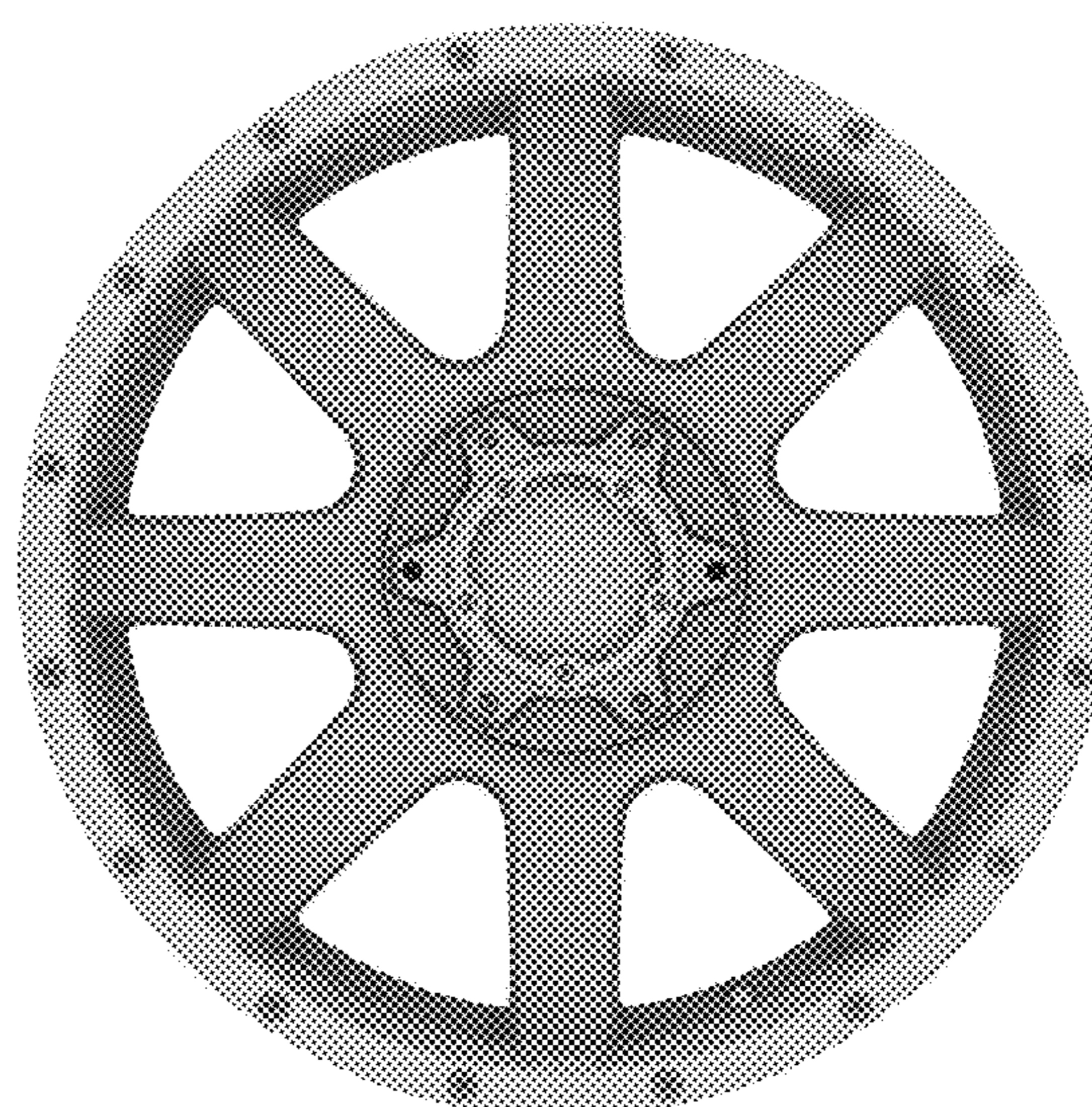
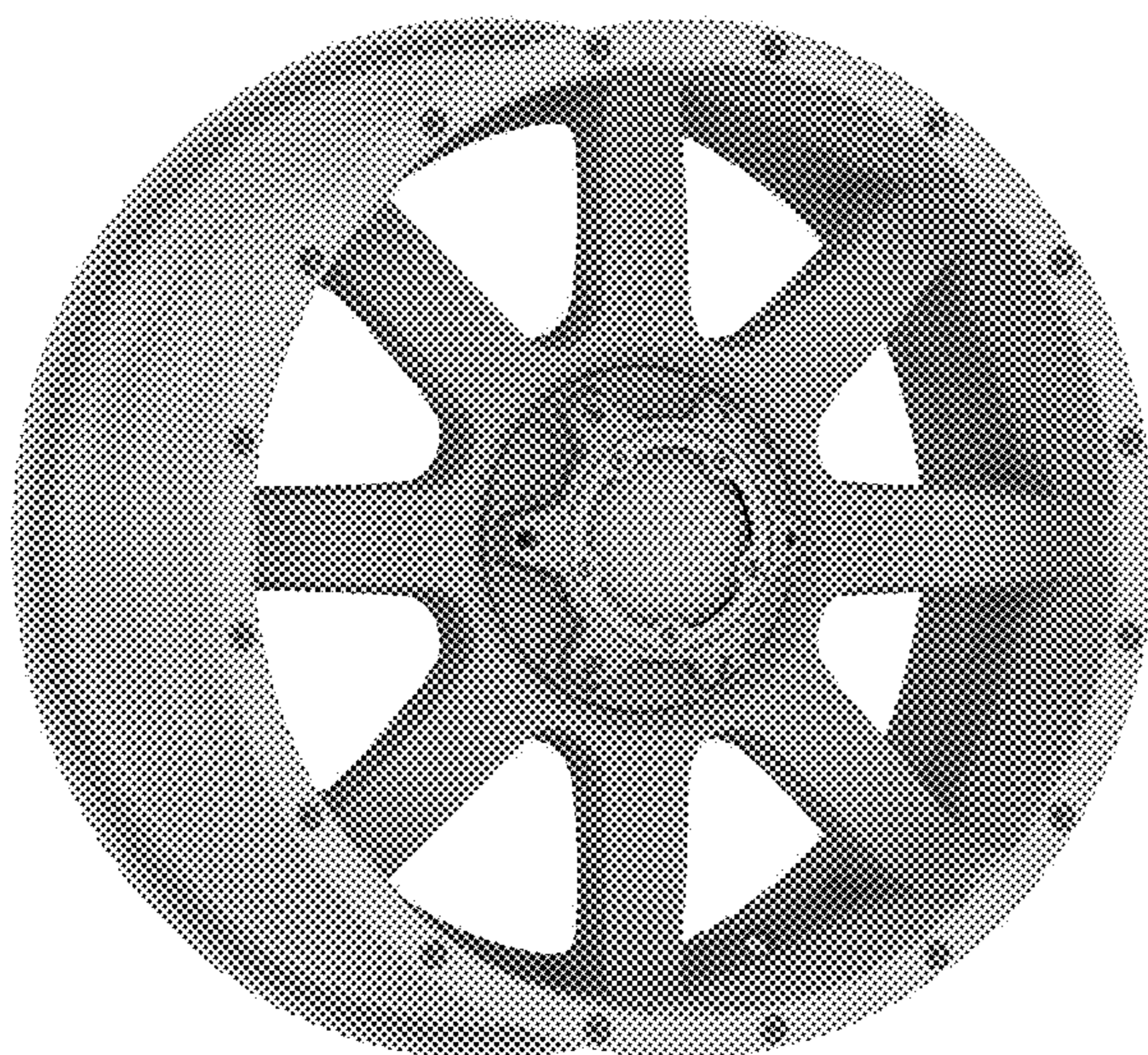
FIG. 10 is a perspective view of a fourth embodiment of an automotive wheel, showing my new design;

FIG. 11 is another perspective view thereof; and

FIG. 12 is a front view thereof; and,

FIG. 13 is a side view of the automotive wheel in FIGS. 1-12.

**1 Claim, 13 Drawing Sheets**



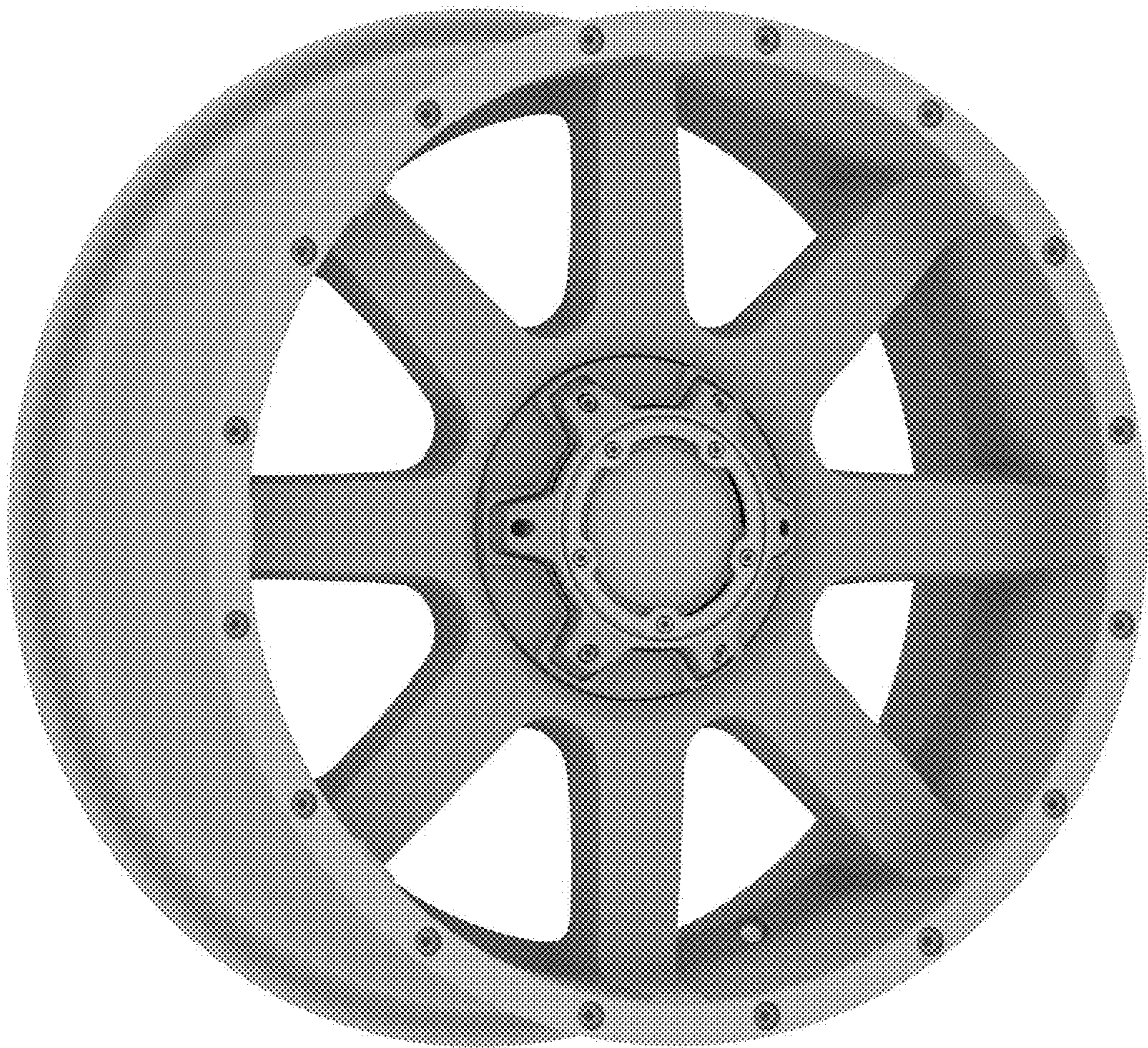


FIGURE 1



FIGURE 2

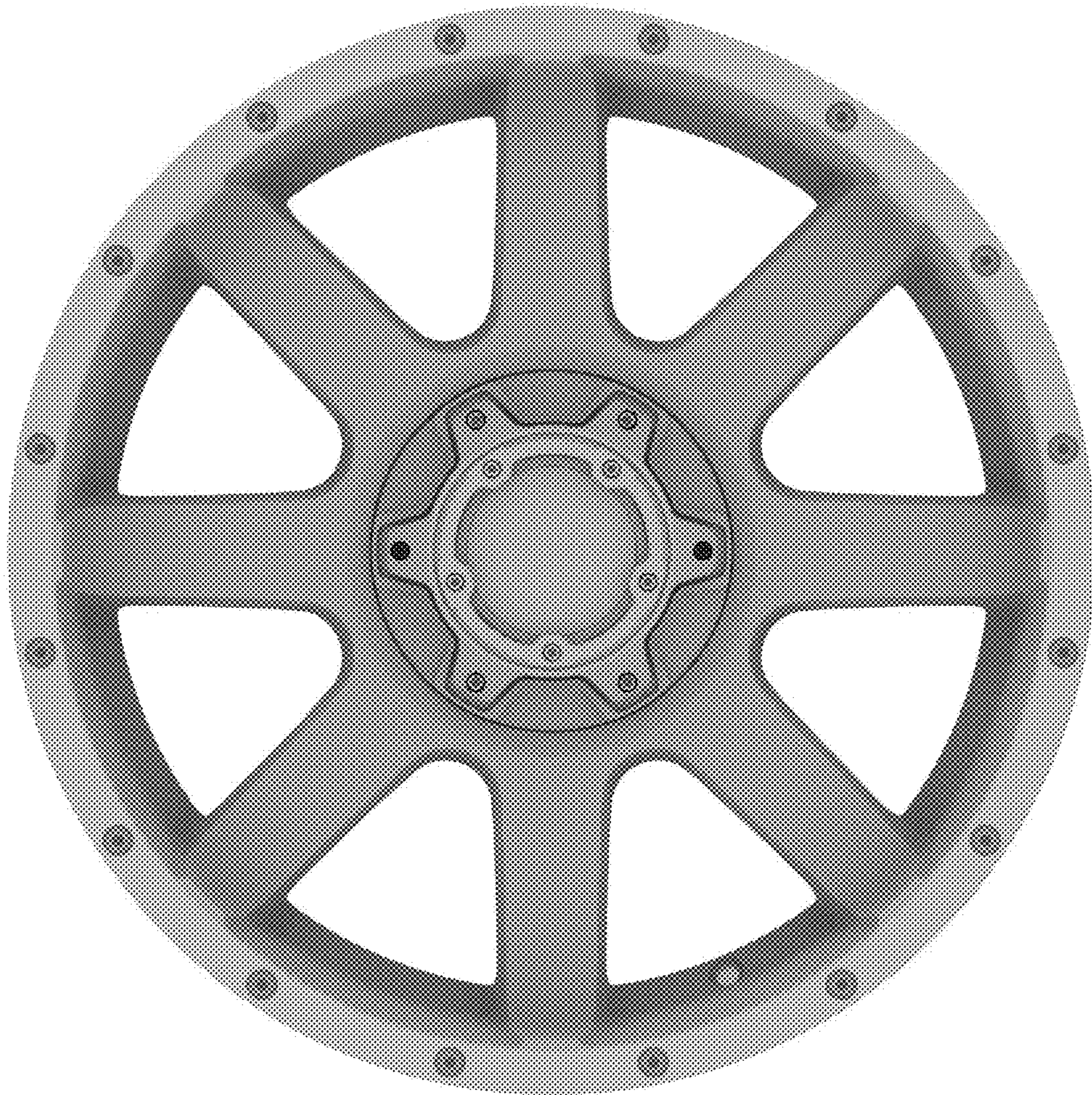


FIGURE 3

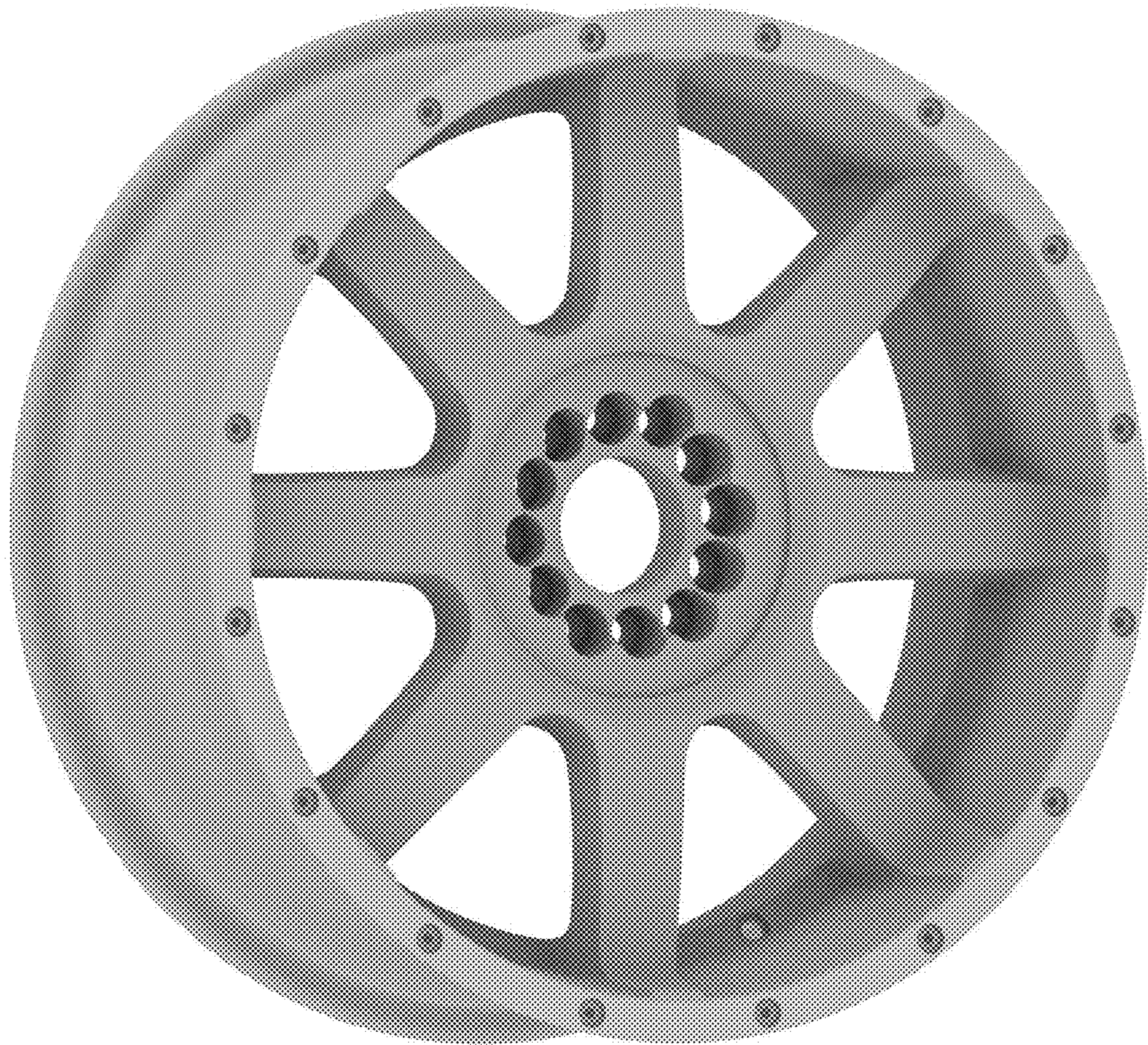


FIGURE 4



FIGURE 5

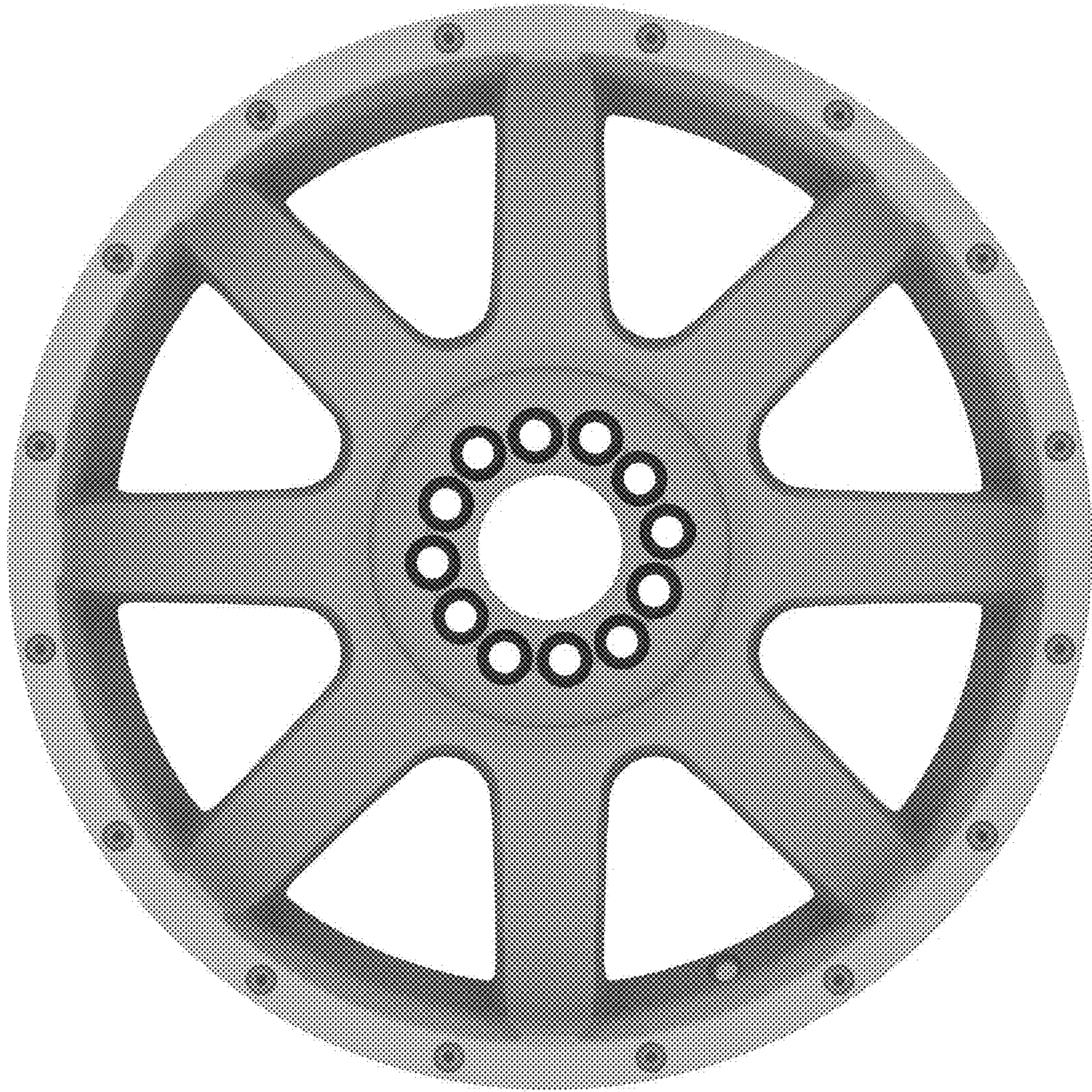


FIGURE 6



FIGURE 7





FIGURE 8

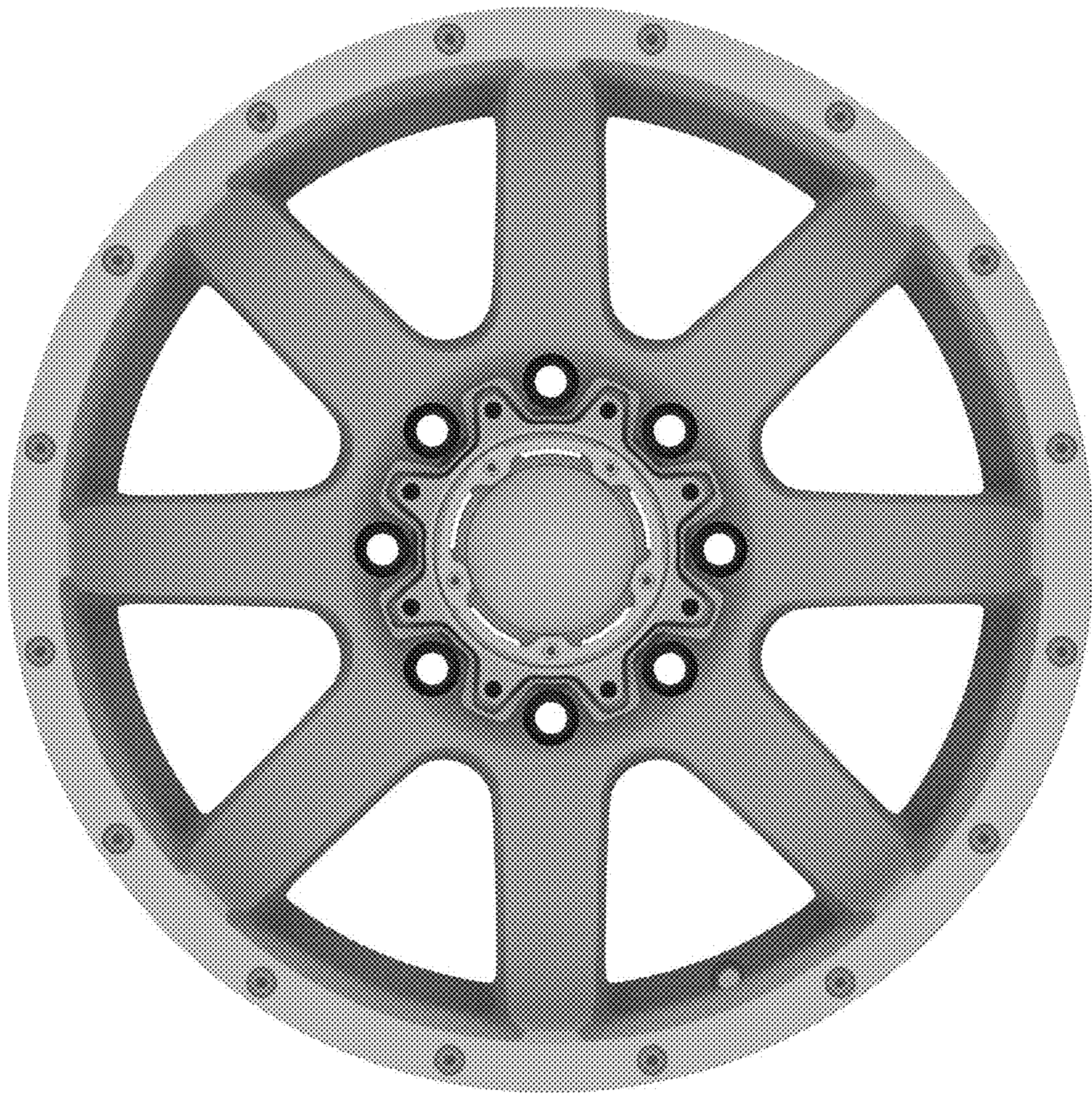


FIGURE 9



FIGURE 10



FIGURE 11

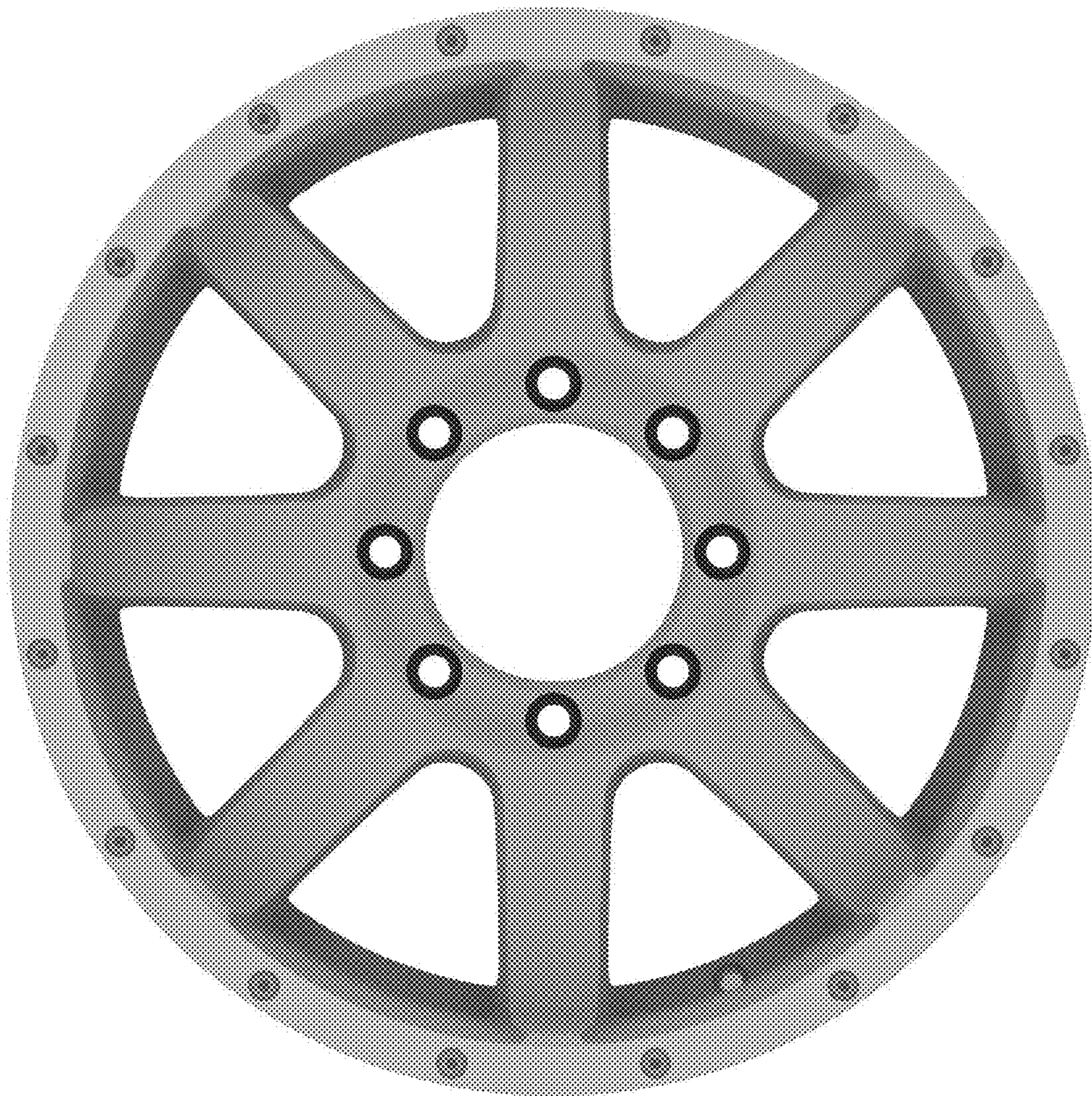


FIGURE 12

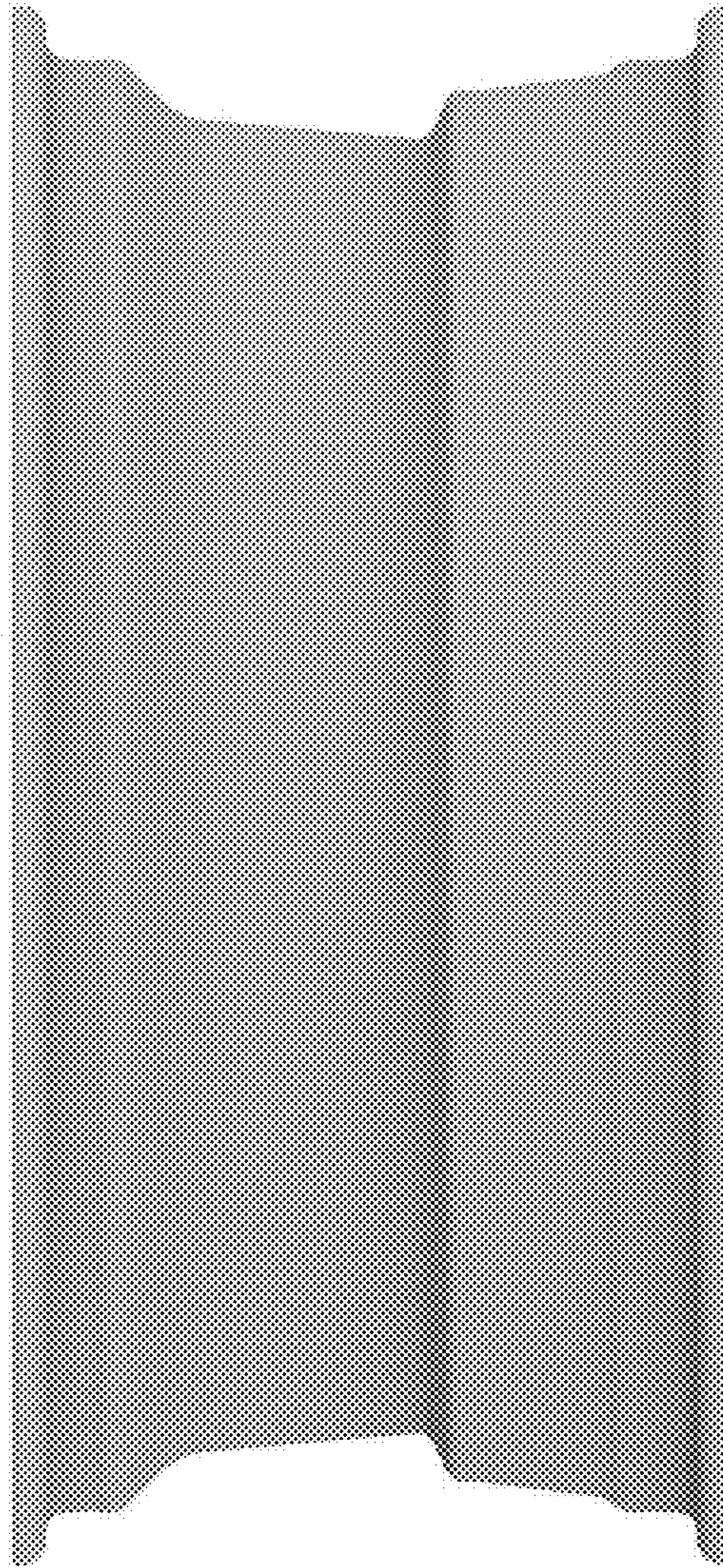


FIGURE 13