

US00D842184S

(12) **United States Design Patent**  
**Chung**

(10) **Patent No.:** **US D842,184 S**

(45) **Date of Patent:** **\*\* Mar. 5, 2019**

(54) **AUTOMOTIVE WHEEL**

(71) Applicant: **Suny Chung**, Anaheim, CA (US)

(72) Inventor: **Suny Chung**, Anaheim, CA (US)

(\*\*) Term: **15 Years**

(21) Appl. No.: **29/580,153**

(22) Filed: **Oct. 6, 2016**

(51) **LOC (11) Cl.** ..... **12-16**

(52) **U.S. Cl.**  
USPC ..... **D12/209**

(58) **Field of Classification Search**  
USPC ..... D12/204–213; D21/533, 561, 563  
CPC .... B60B 7/00; B60B 7/02; B60B 7/04; B60B  
7/06; B60B 3/02; B60B 3/04; B60B 3/06;  
B60B 3/10; B60B 1/00; B60B 1/08;  
B60B 1/10; B60B 1/12

See application file for complete search history.

(56) **References Cited**

**U.S. PATENT DOCUMENTS**

D569,778 S *	5/2008	Kim	.....	D12/211
D614,112 S *	4/2010	Tant	.....	D12/211
D625,242 S *	10/2010	Zhao	.....	D12/211
D638,763 S *	5/2011	Chung	.....	D12/209
D649,101 S *	11/2011	Hale, Jr.	.....	D12/209
D670,222 S *	11/2012	Chung	.....	D12/209
D670,223 S *	11/2012	Chung	.....	D12/209
D704,124 S *	5/2014	Hale, Jr.	.....	D12/211
D706,199 S *	6/2014	Chung	.....	D12/211
D706,702 S *	6/2014	Chung	.....	D12/211
D711,807 S *	8/2014	Hale	.....	D12/209
D726,630 S *	4/2015	Kong	.....	D12/211

D731,946 S *	6/2015	Chung	.....	D12/211
D733,025 S *	6/2015	Chung	.....	D12/204
D737,191 S *	8/2015	Chung	.....	D12/211
D753,046 S *	4/2016	Liffick	.....	D12/209
D763,163 S *	8/2016	Chung	.....	D12/211
D764,375 S *	8/2016	Chung	.....	D12/211
D766,805 S *	9/2016	Chung	.....	D12/211
D790,427 S *	6/2017	Palana	.....	D12/211
D792,304 S *	7/2017	Pugh	.....	D12/209
D792,308 S *	7/2017	Guo	.....	D12/209
D797,029 S *	9/2017	Chung	.....	D12/211
D799,399 S *	10/2017	Chung	.....	D12/211
D824,317 S *	7/2018	Harriton	.....	D12/211
D826,131 S *	8/2018	Palana	.....	D12/211

\* cited by examiner

*Primary Examiner* — Sheryl Lane

*Assistant Examiner* — Calvin E Vansant

(57) **CLAIM**

The ornamental design for an automotive wheel, as shown and described.

**DESCRIPTION**

FIG. 1 is a perspective view of an automotive wheel, showing my new design;  
FIG. 2 is another perspective view thereof;  
FIG. 3 is a front view thereof;  
FIG. 4 is a rear view thereof;  
FIG. 5 is a perspective view of FIG. 1 with the center cap removed for illustrative clarity;  
FIG. 6 is a perspective view of FIG. 5;  
FIG. 7 is a front view of FIG. 5;  
FIG. 8 is a rear view of FIG. 5; and,  
FIG. 9 is a side view of the automotive wheel in FIGS. 1-8.

**1 Claim, 9 Drawing Sheets**

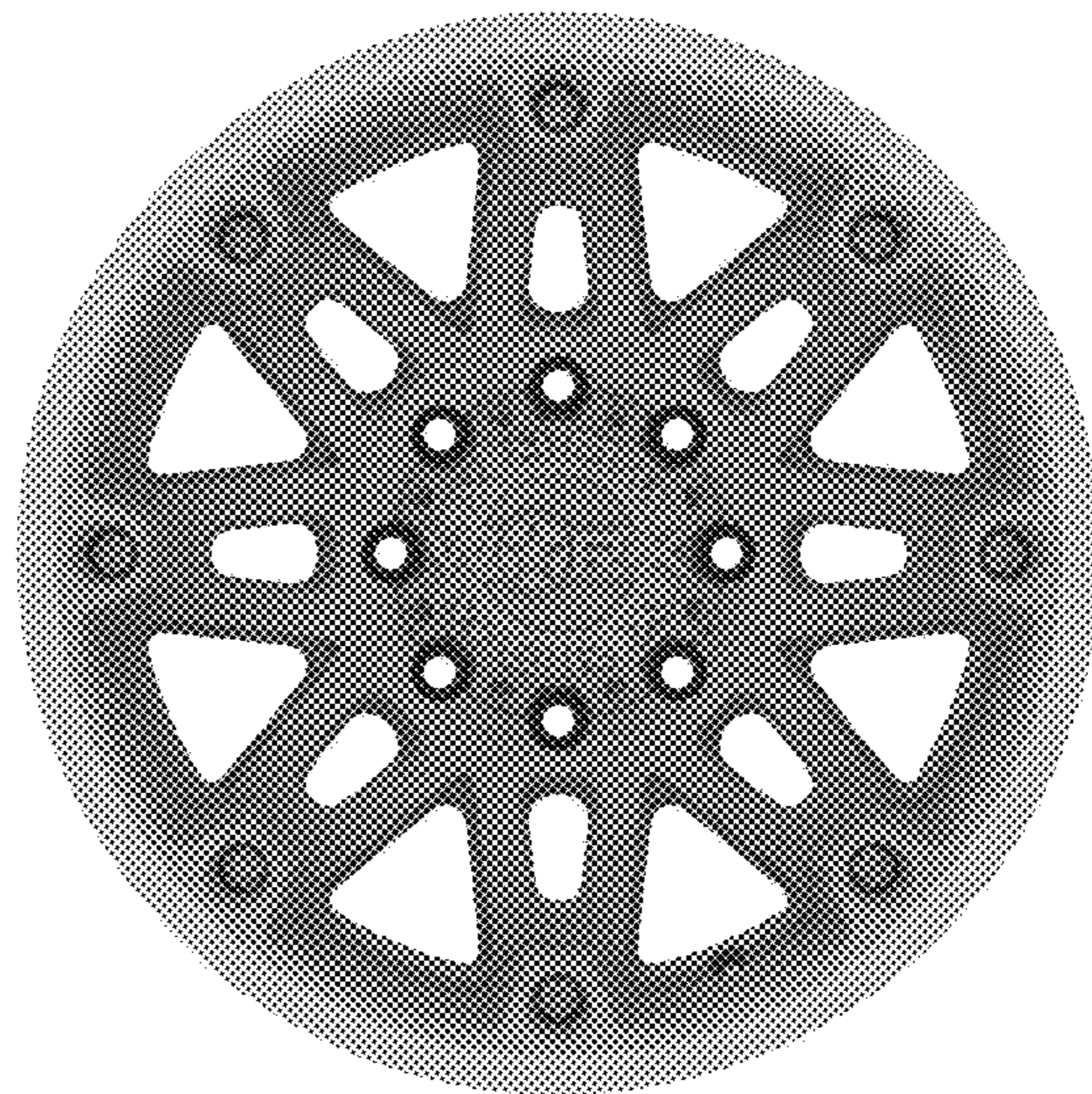
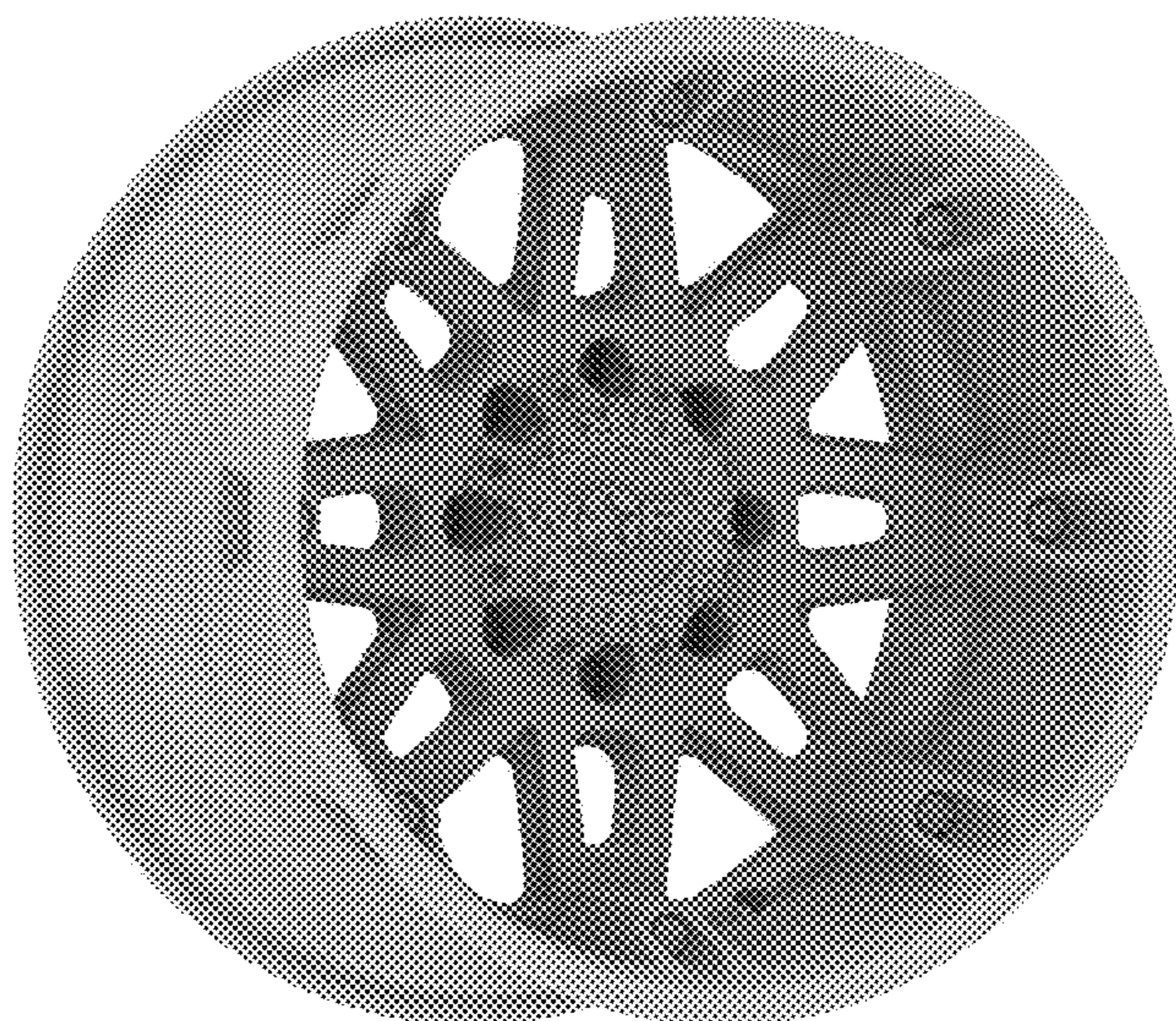




FIGURE 1



FIGURE 2

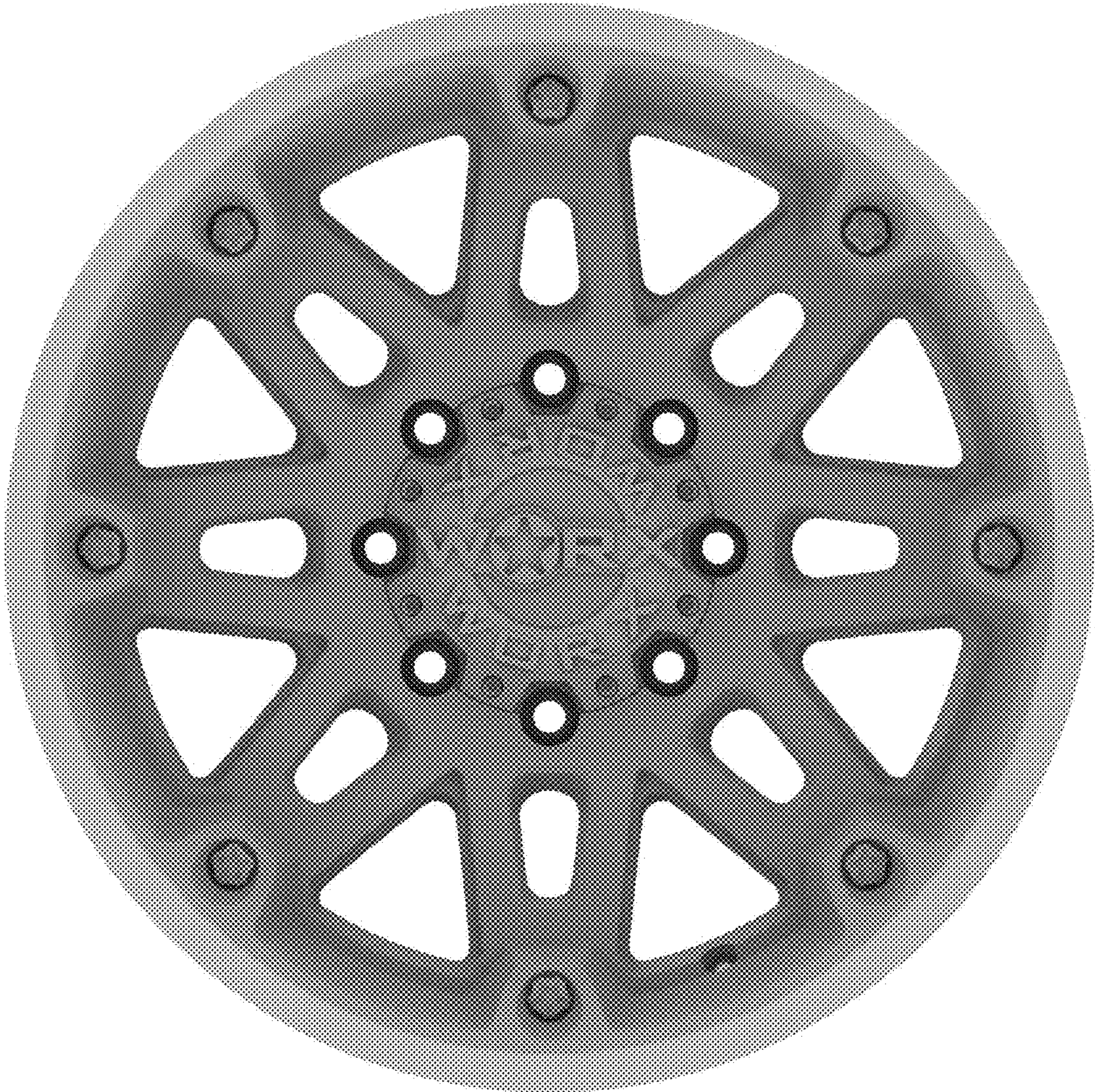


FIGURE 3



FIGURE 4



FIGURE 5



FIGURE 6

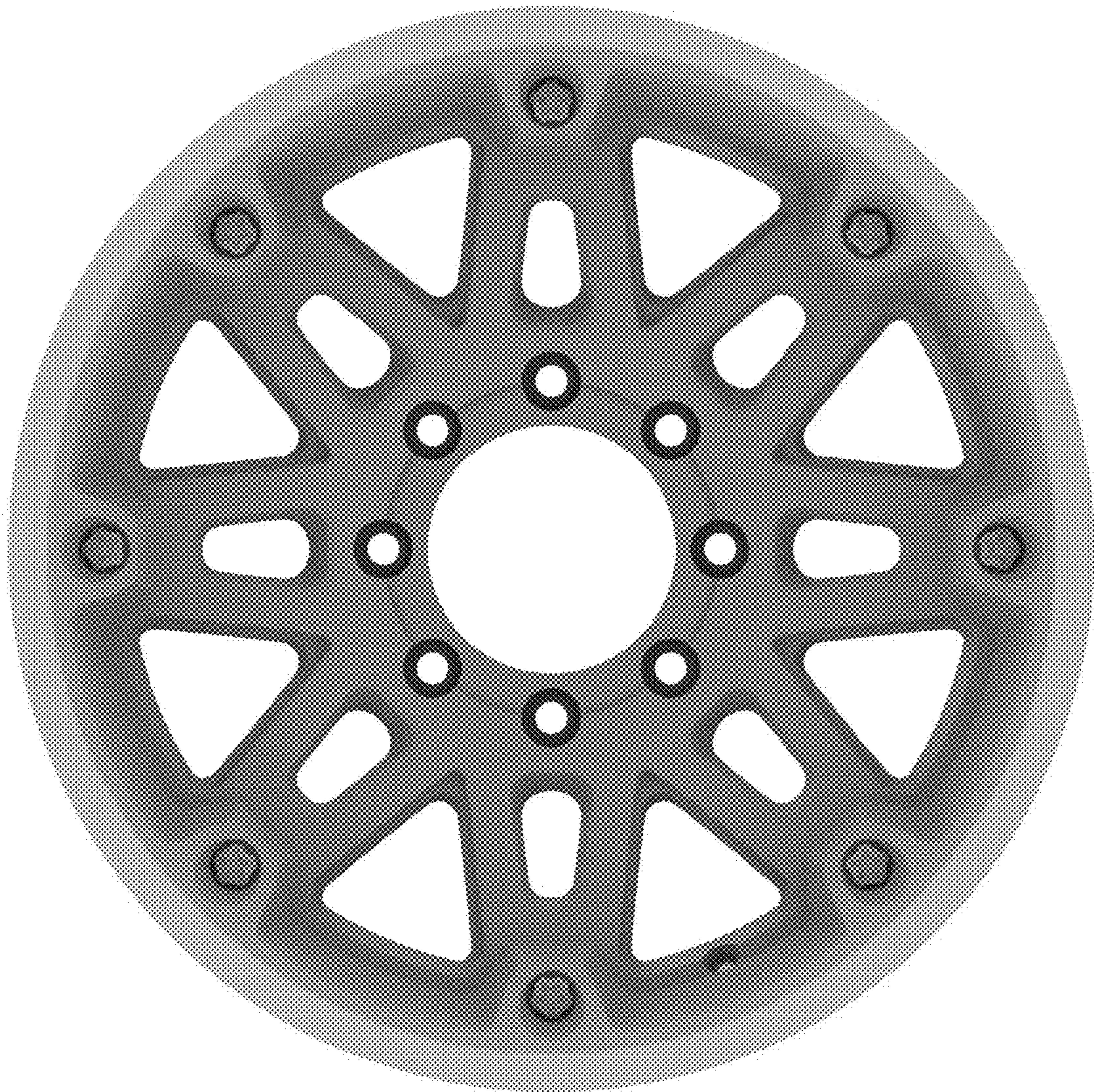


FIGURE 7



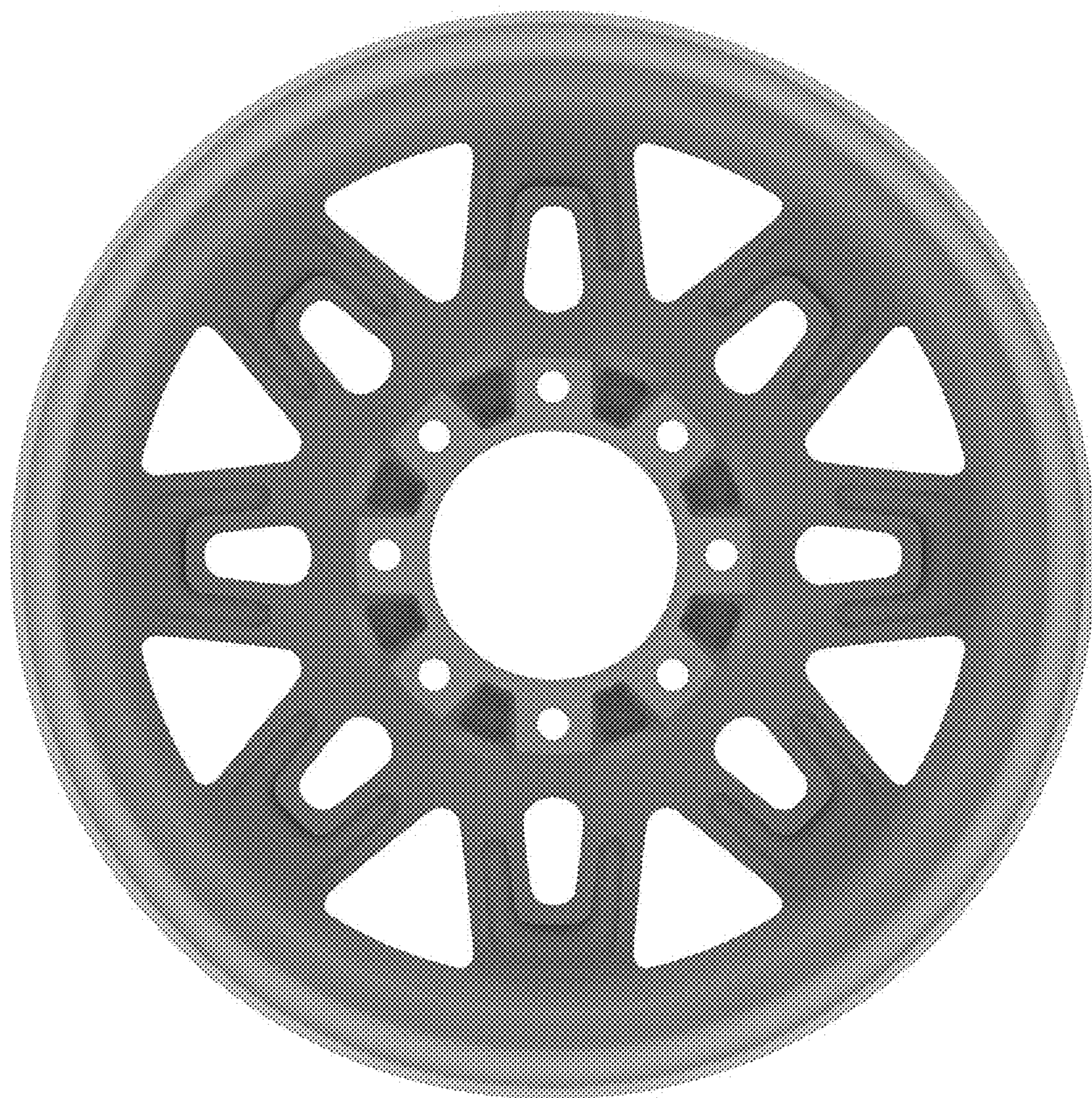


FIGURE 8

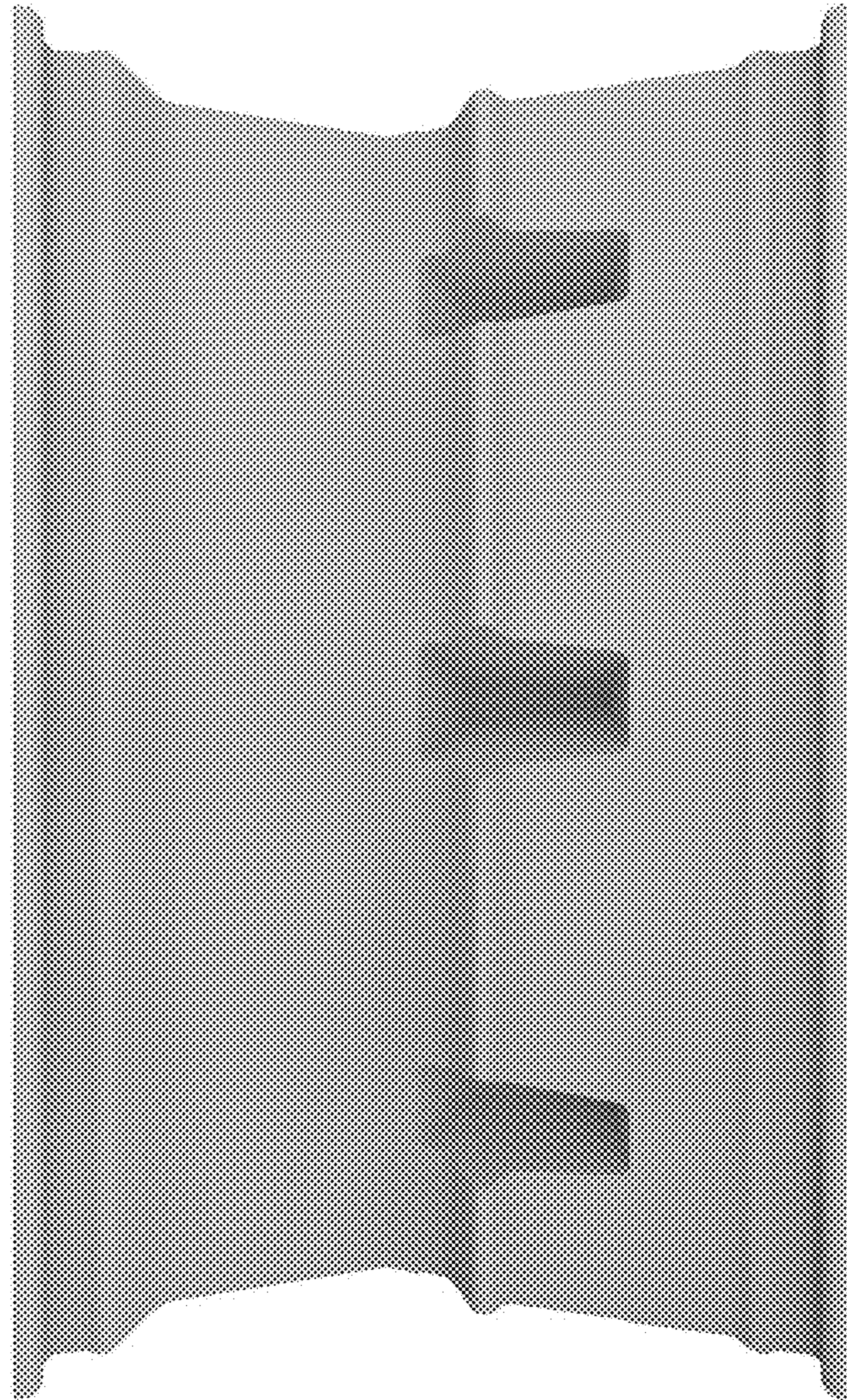


FIGURE 9