



US00D842183S

(12) **United States Design Patent**
Jackson et al.

(10) **Patent No.:** **US D842,183 S**

(45) **Date of Patent:** **** Mar. 5, 2019**

(54) **VEHICLE DOOR**

(71) Applicants: **Dwayne Jackson**, Lake Orion, MI (US); **Ryan P. Joyce**, Detroit, MI (US); **Taylor A. Langhals**, Waterford, MI (US); **Jeffrey C. Gale**, Rochester, MI (US)

(72) Inventors: **Dwayne Jackson**, Lake Orion, MI (US); **Ryan P. Joyce**, Detroit, MI (US); **Taylor A. Langhals**, Waterford, MI (US); **Jeffrey C. Gale**, Rochester, MI (US)

(73) Assignee: **FCA US LLC**, Auburn Hills, MI (US)

(**) Term: **15 Years**

(21) Appl. No.: **29/627,776**

(22) Filed: **Nov. 29, 2017**

(51) **LOC (11) Cl.** **12-08**

(52) **U.S. Cl.**
USPC **D12/195**

(58) **Field of Classification Search**
USPC D12/195, 196, 414, 193, 190; D15/17, D15/28; D10/46, 98, 102, 103; D8/302-303
CPC B60N 2/466; B60N 2/493; B60R 13/0243; B60J 5/04
See application file for complete search history.

(56) **References Cited**

U.S. PATENT DOCUMENTS

D768,042 S	*	10/2016	Lee	D12/195
D783,481 S	*	4/2017	Yamamoto	D12/195
D801,899 S	*	11/2017	Watkin	D12/195
D807,267 S	*	1/2018	Higashimori	D12/195
D814,374 S	*	4/2018	Patterson	D12/195
D816,573 S	*	5/2018	Ma	D12/195
D819,534 S	*	6/2018	Buffery	D12/195

D820,754 S	*	6/2018	Buffery	D12/195
D823,208 S	*	7/2018	Boyes	D12/195
D823,760 S	*	7/2018	Sato	D12/195

* cited by examiner

Primary Examiner — Katrina A Betton

(74) *Attorney, Agent, or Firm* — Ralph E. Smith

(57) **CLAIM**

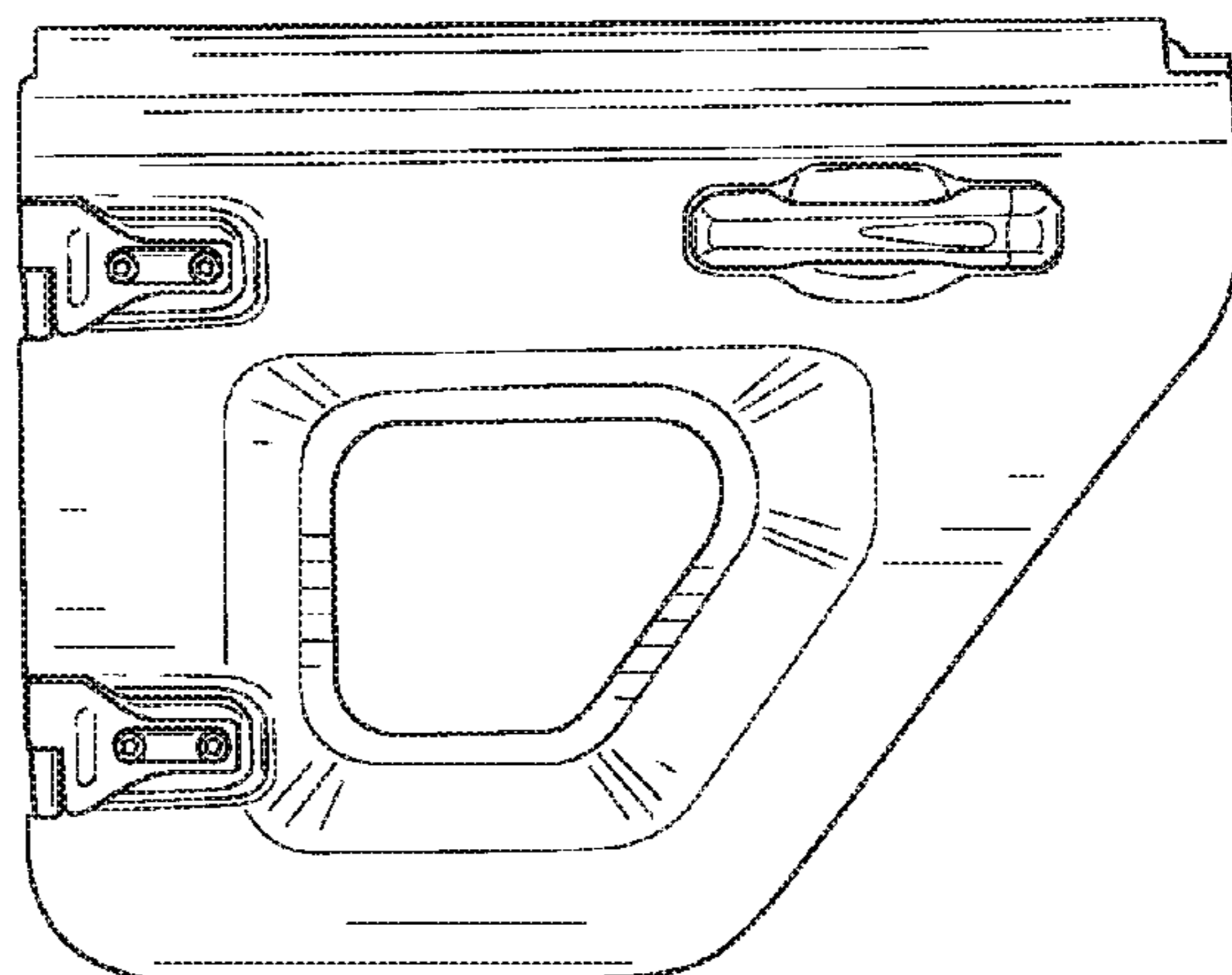
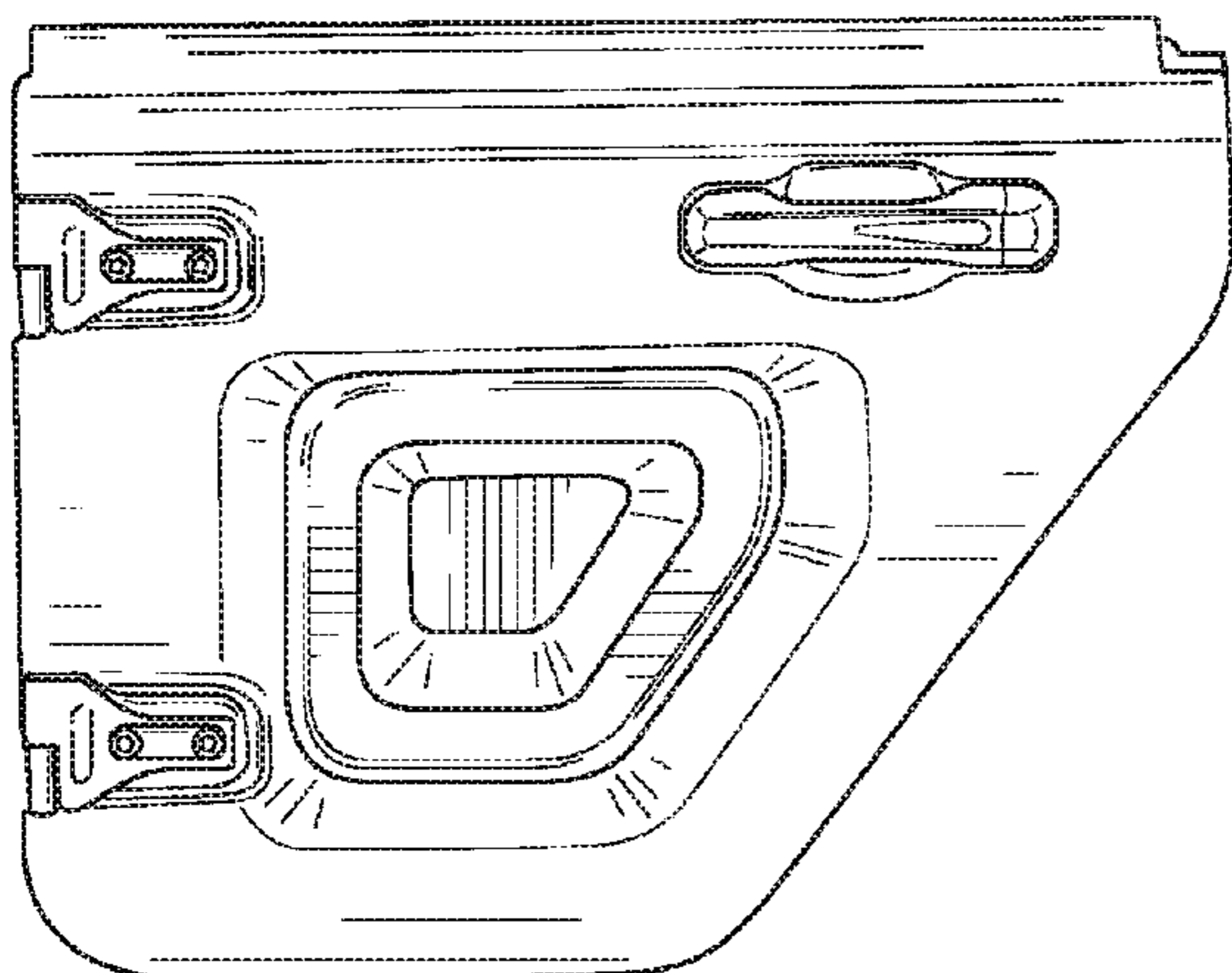
The ornamental design for a vehicle door, as shown and described.

DESCRIPTION

FIG. 1 is a front view of the vehicle door showing our new design;
 FIG. 2 is a front perspective view thereof;
 FIG. 3 is a rear perspective view thereof;
 FIG. 4 is a front side view thereof;
 FIG. 5 is an inside front view thereof;
 FIG. 6 is a top view thereof;
 FIG. 7 is an inside front perspective view thereof;
 FIG. 8 is an inside rear perspective thereof;
 FIG. 9 is a rear side view thereof;
 FIG. 10 is a bottom view thereof;
 FIG. 11 is a front view of a second embodiment of the vehicle door showing our new design;
 FIG. 12 is a front perspective view of the second embodiment;
 FIG. 13 is a rear perspective view of the second embodiment;
 FIG. 14 is an inside front view of the second embodiment;
 FIG. 15 is an inside front perspective of the second embodiment; and,
 FIG. 16 is an inside rear perspective of the second embodiment.

It will be understood that the broken lines shown in the drawings illustrate portions of the vehicle door that form no part of claimed design.

1 Claim, 8 Drawing Sheets



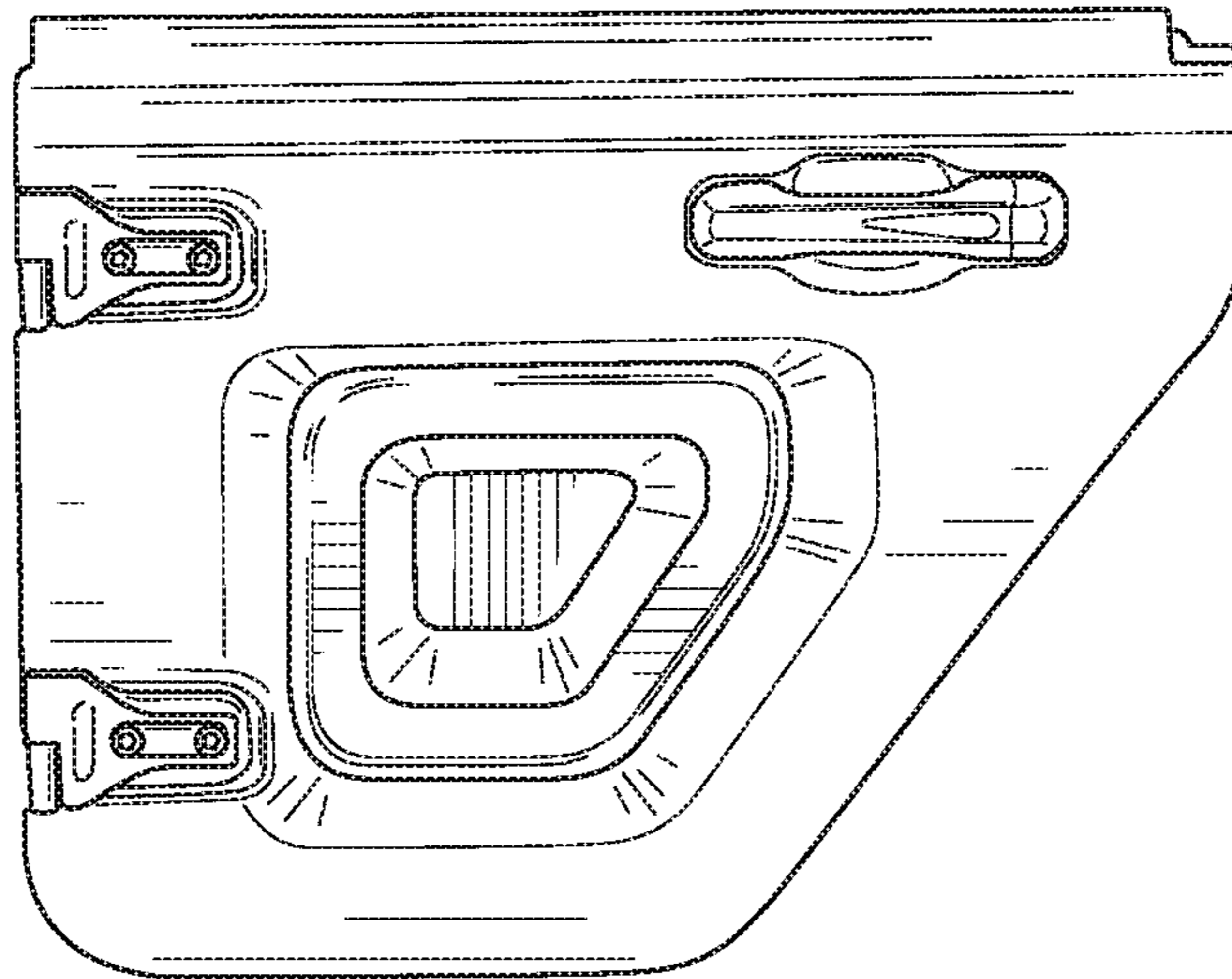


FIG. 1

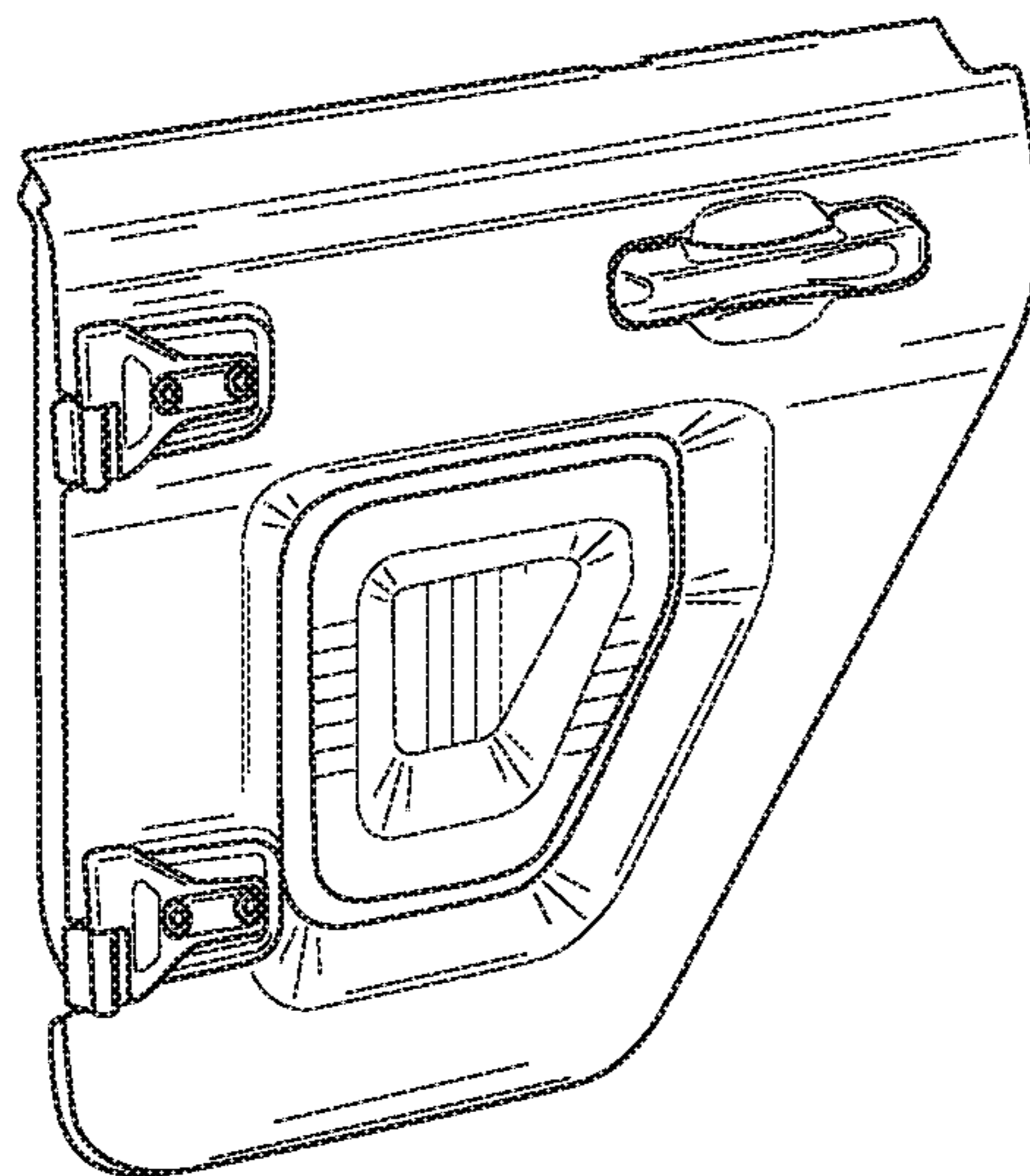


FIG. 2

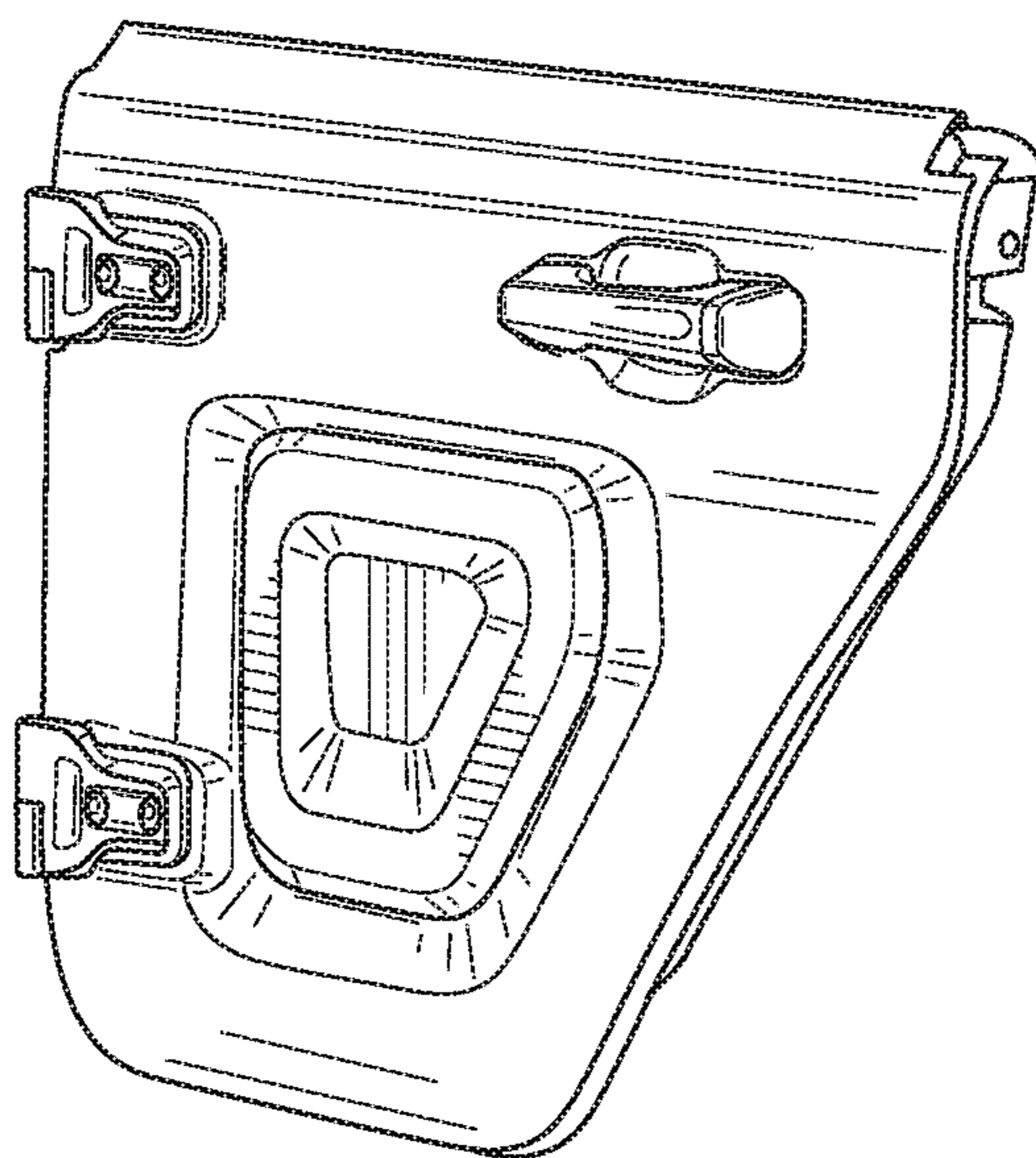


FIG. 3

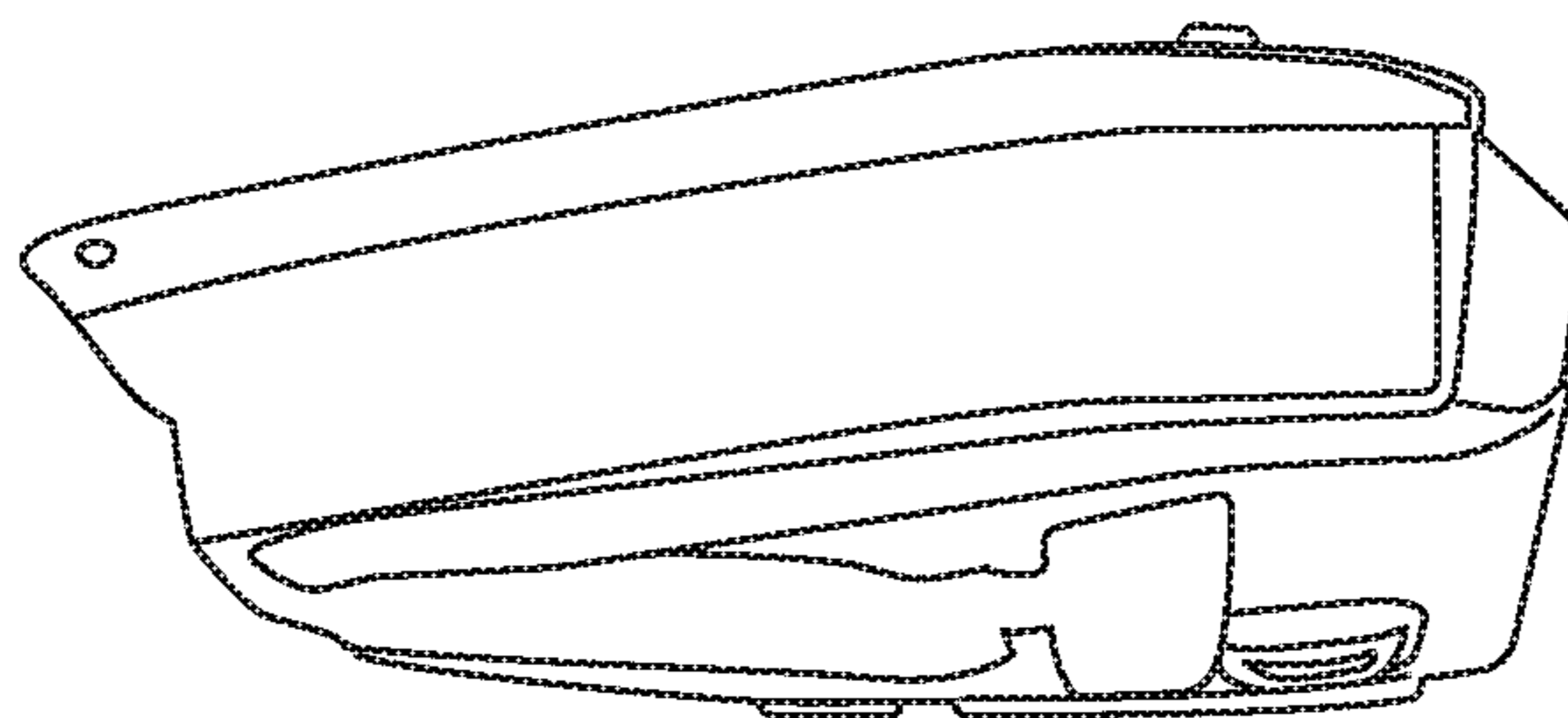


FIG. 4

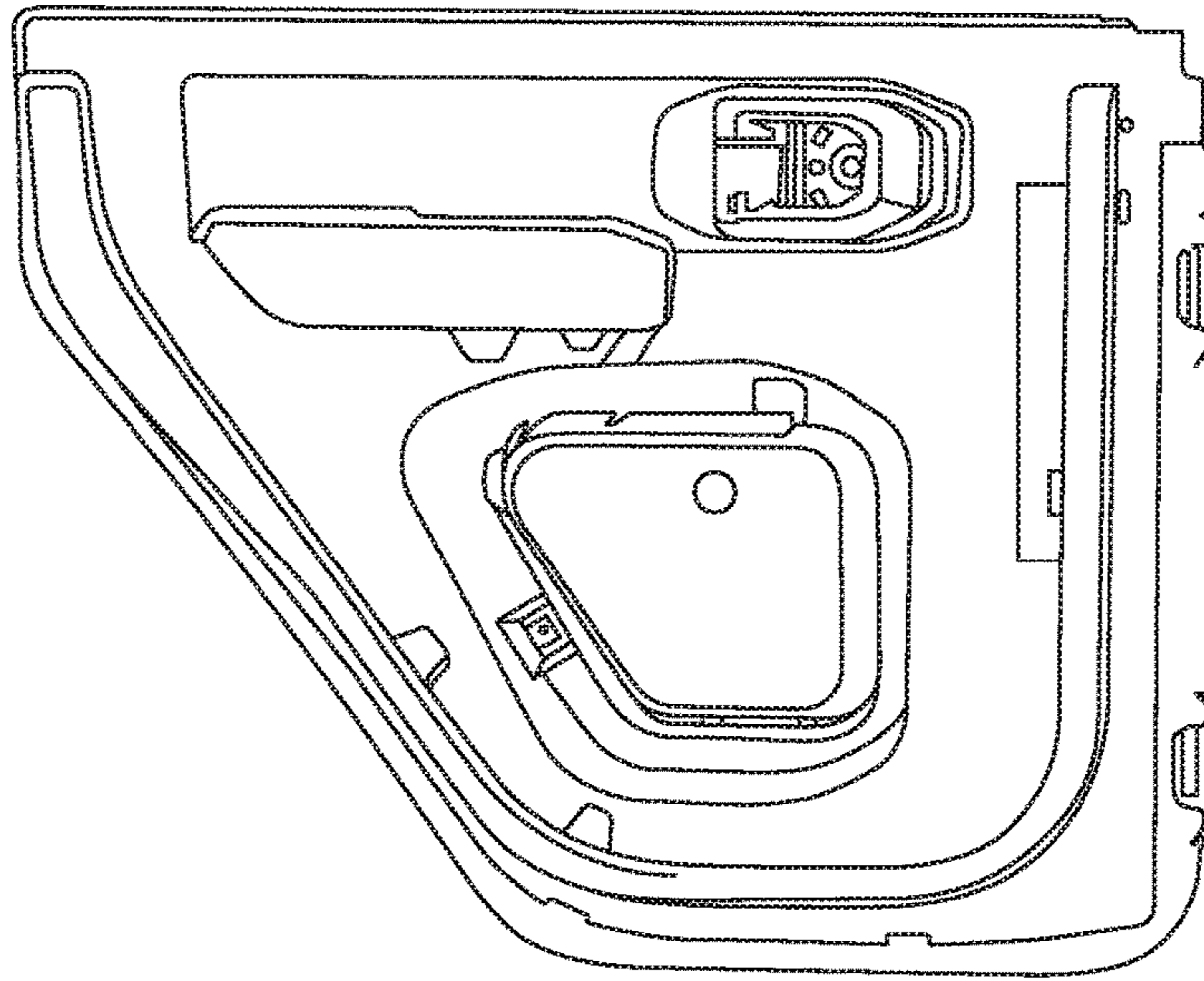


FIG. 5

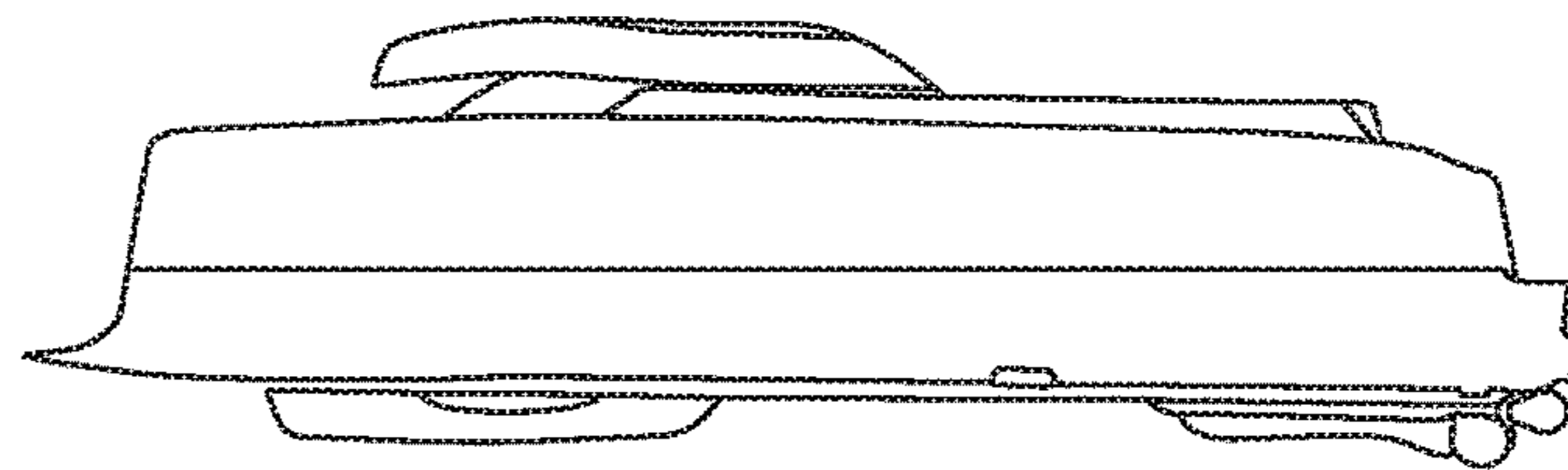


FIG. 6

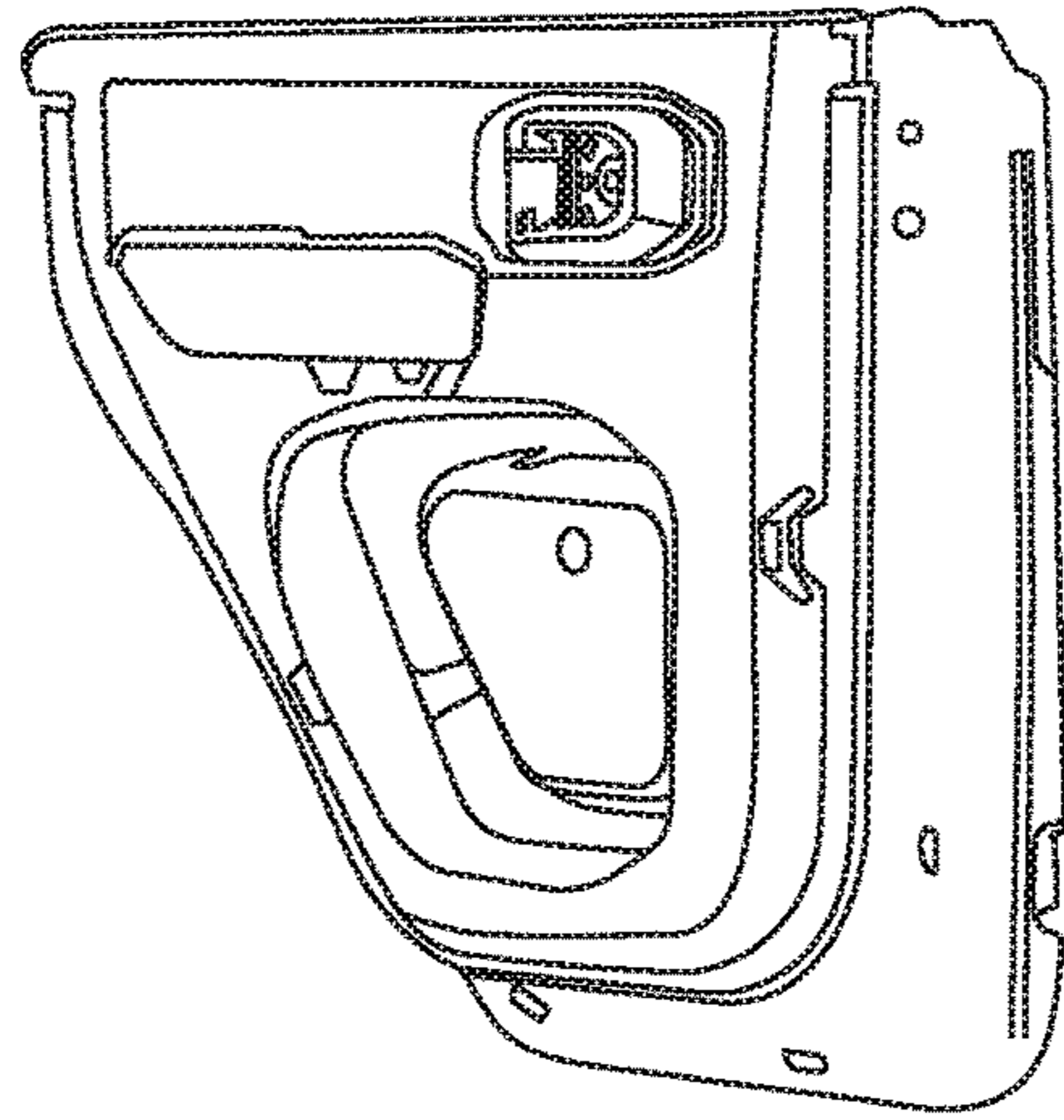


FIG. 7

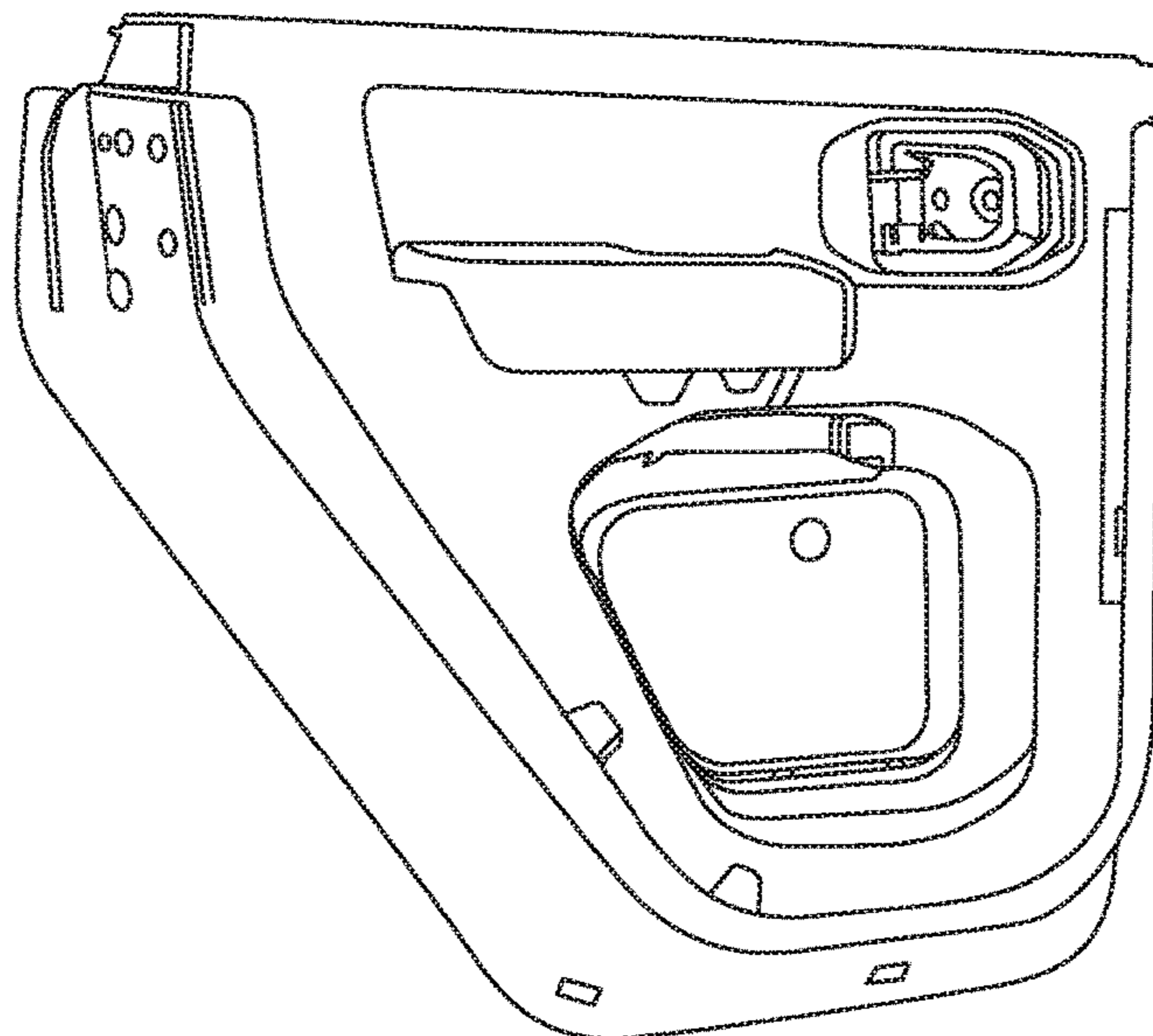


FIG. 8

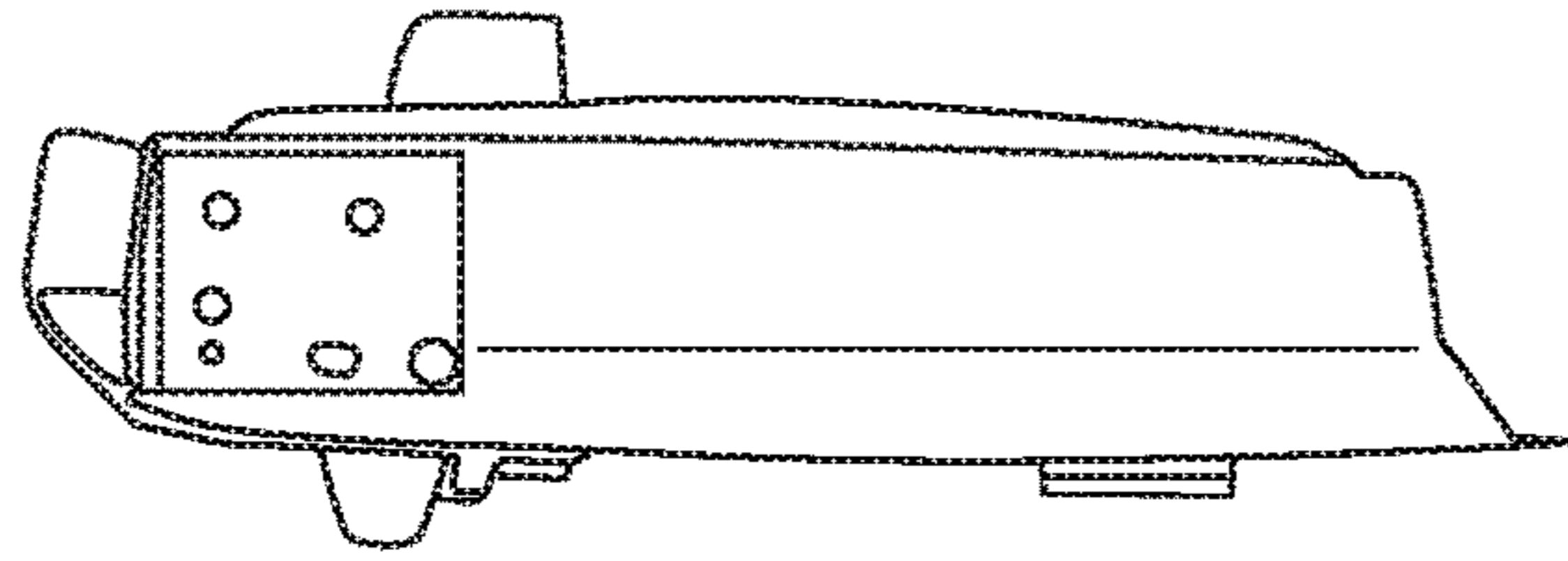


FIG. 9

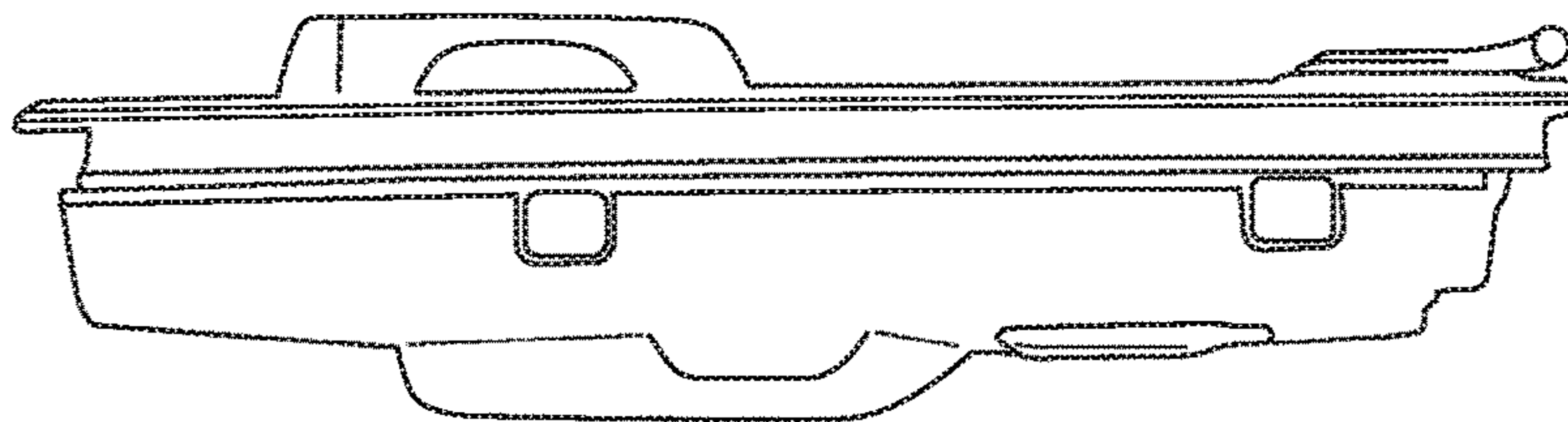


FIG. 10

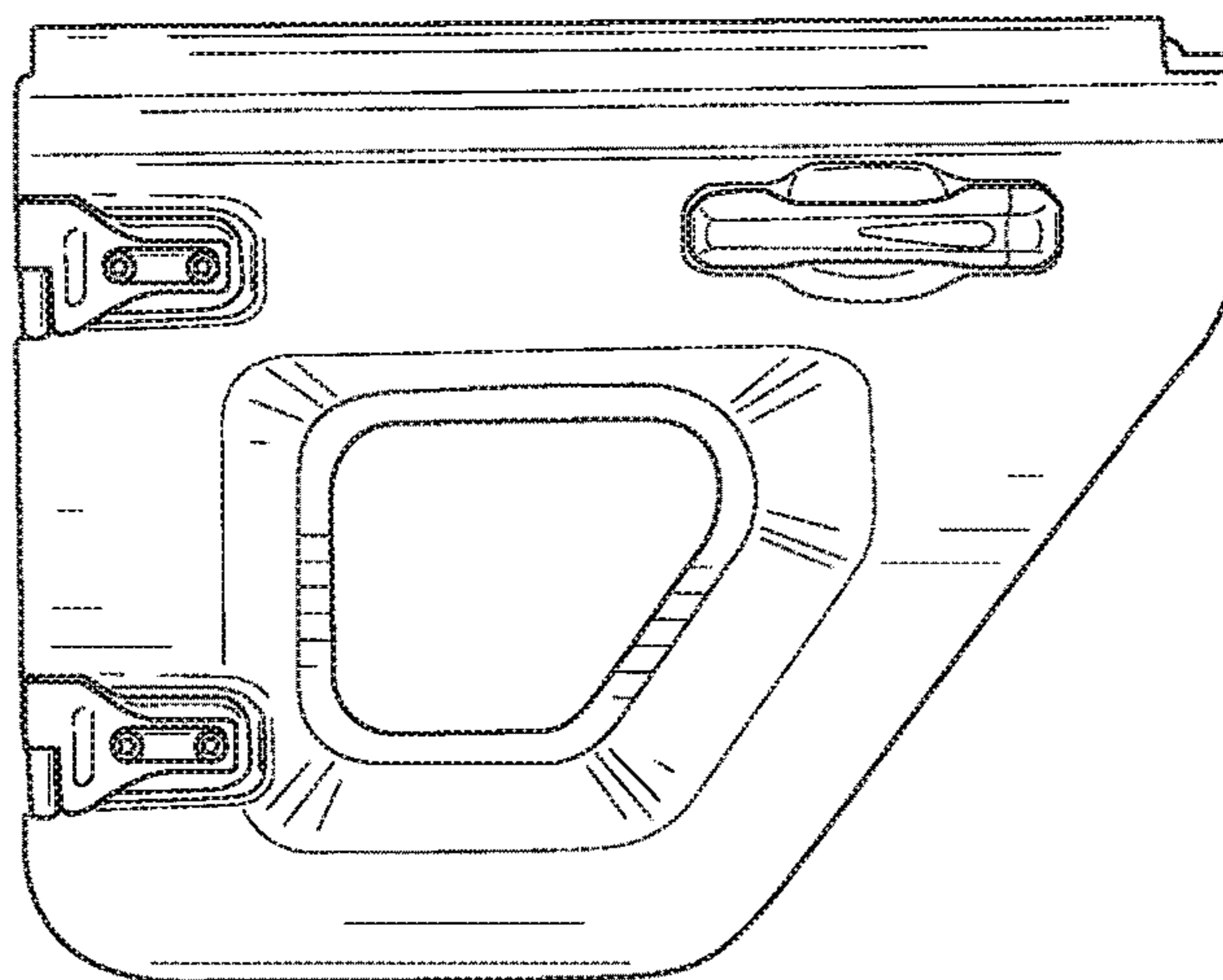


FIG. 11

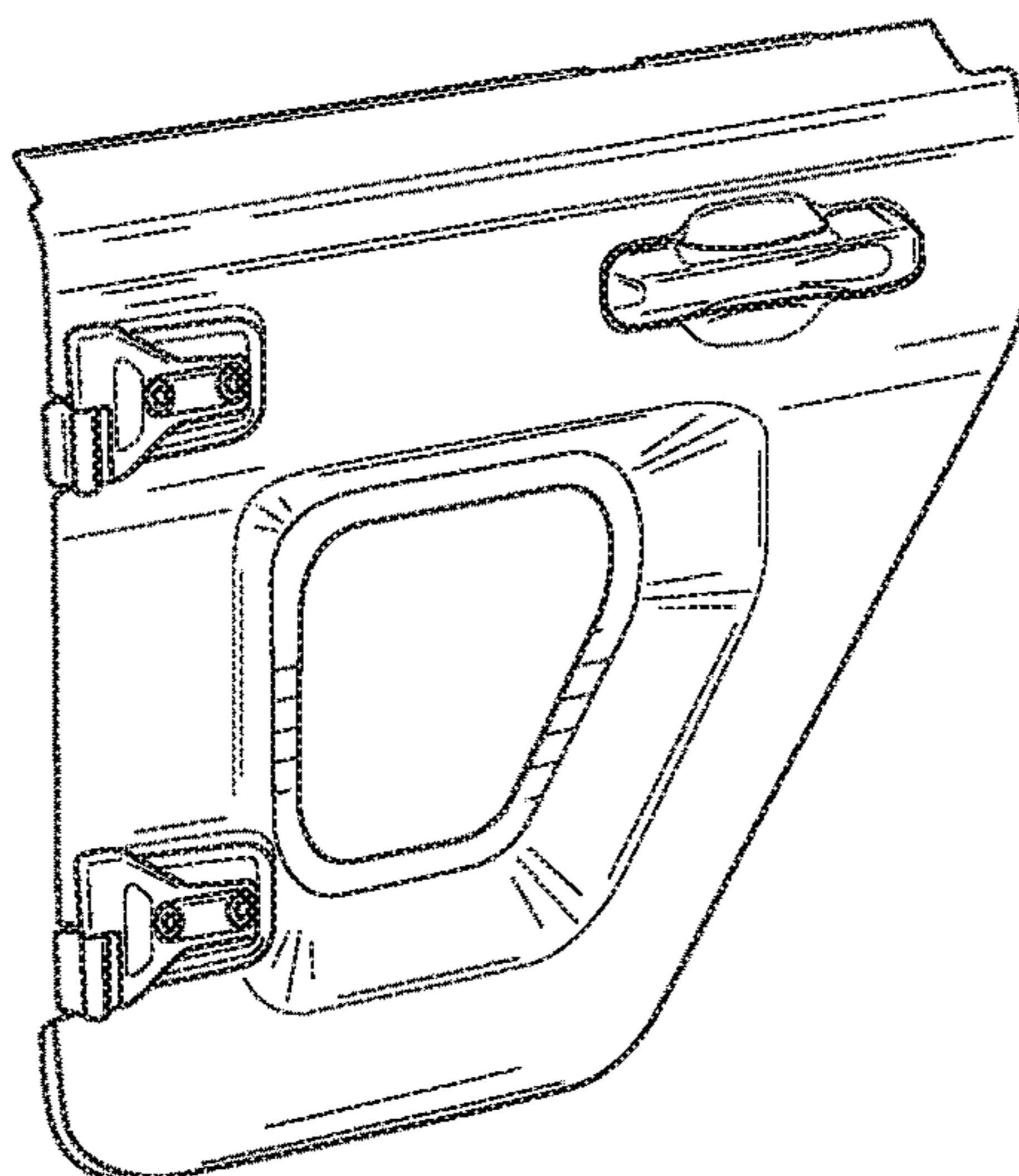


FIG. 12

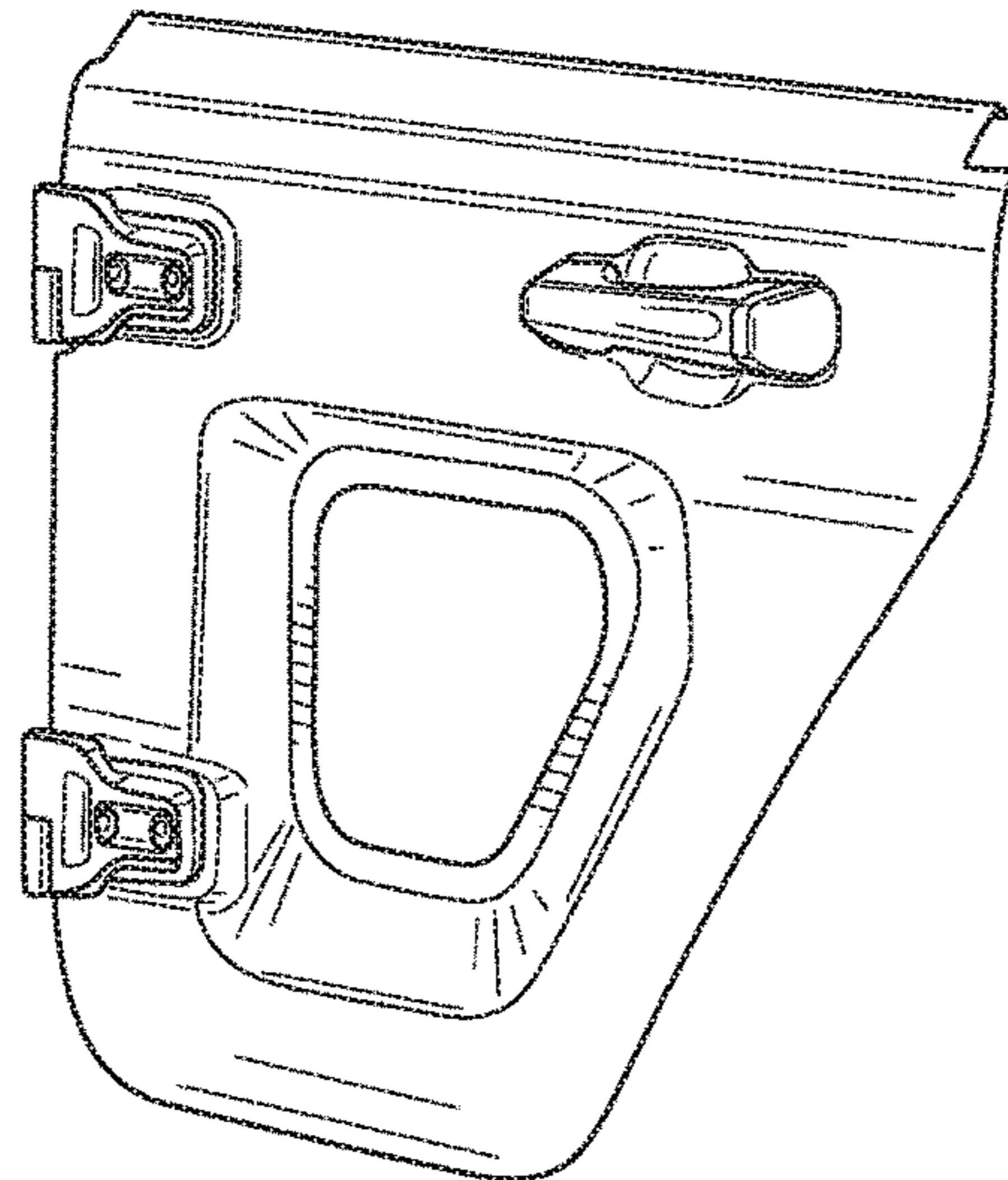


FIG. 13

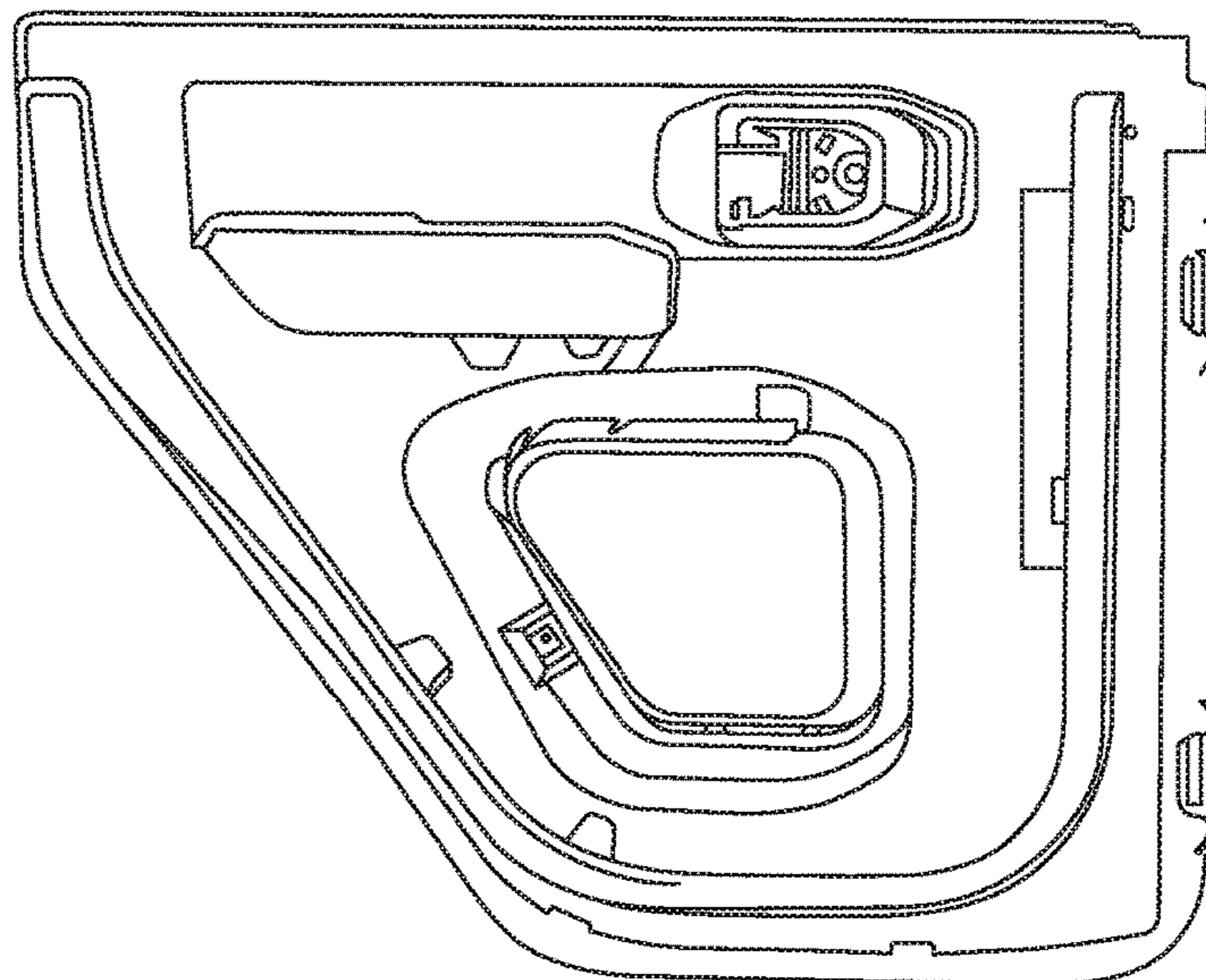


FIG. 14

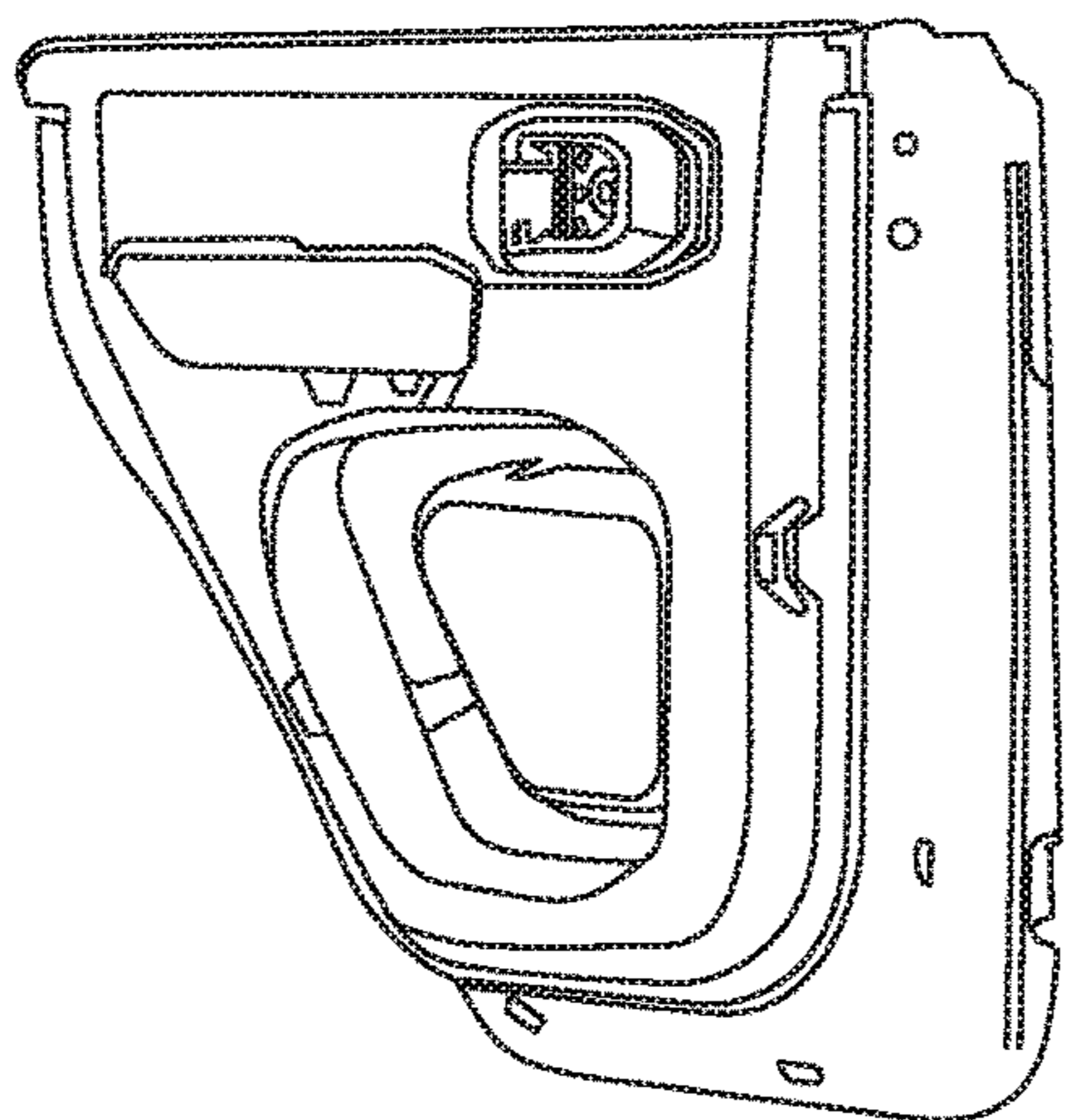


FIG. 15

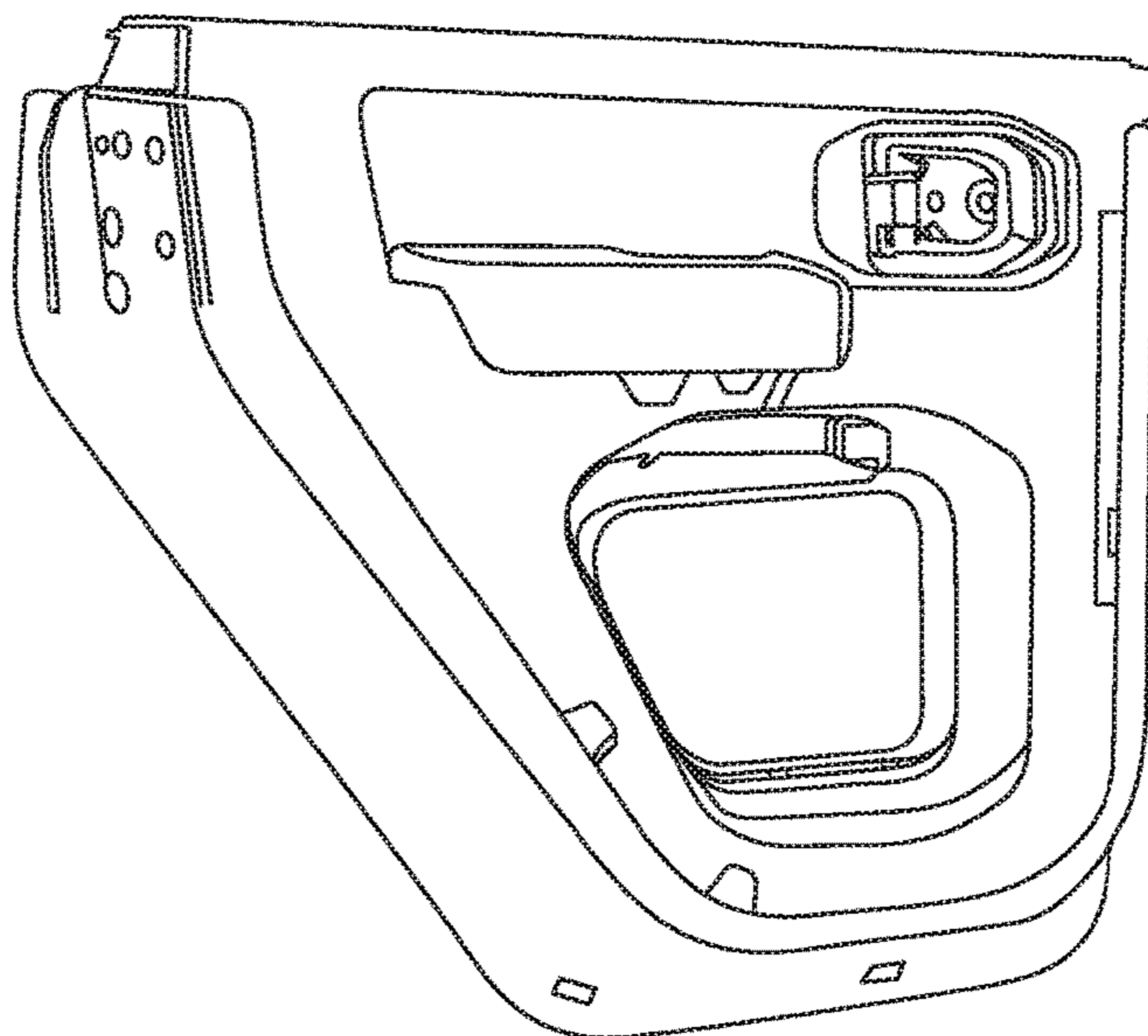


FIG. 16