



US00D842181S

(12) **United States Design Patent**  
**Aruga**

(10) **Patent No.:** **US D842,181 S**  
(45) **Date of Patent:** **\*\* Mar. 5, 2019**

(54) **CONTROL WHEEL FOR AIRCRAFT**

(71) Applicant: **MITSUBISHI AIRCRAFT CORPORATION**, Nagoya-shi, Aichi (JP)

(72) Inventor: **Hiroyasu Aruga**, Tokyo (JP)

(73) Assignee: **MITSUBISHI AIRCRAFT CORPORATION**, Aichi (JP)

(\*\*) Term: **15 Years**

(21) Appl. No.: **29/601,800**

(22) Filed: **Apr. 26, 2017**

(30) **Foreign Application Priority Data**

Oct. 28, 2016 (JP) ..... 2016-023562

(51) **LOC (11) Cl.** ..... **12-16**

(52) **U.S. Cl.**  
USPC ..... **D12/175**

(58) **Field of Classification Search**  
USPC ..... D12/174, 175, 176, 177, 192, 196  
CPC ..... H01H 9/02; H01H 9/06; H01H 2009/066;  
H04W 4/10; B64C 13/24; B64D 47/00;  
F16M 13/00; F16M 13/02; F16M 13/022  
See application file for complete search history.

(56) **References Cited**

**U.S. PATENT DOCUMENTS**

2,747,057 A \* 5/1956 Obszarny ..... H01H 9/06  
200/293.1  
D578,940 S \* 10/2008 Tsay ..... D12/175

D776,023 S \* 1/2017 Allison ..... D12/175  
D787,994 S \* 5/2017 Carbone ..... D12/175  
D813,123 S \* 3/2018 Allison ..... D12/175  
10,080,110 B1 \* 9/2018 McElmurry ..... H04W 4/10

\* cited by examiner

*Primary Examiner* — Susan Bennett Hattan

*Assistant Examiner* — Suzanne E Tisdell

(74) *Attorney, Agent, or Firm* — Birch, Stewart, Kolasch & Birch, LLP

(57) **CLAIM**

The ornamental design for a control wheel for aircraft, as shown and described.

**DESCRIPTION**

FIG. 1 is a perspective view from the upper right side of a control wheel for aircraft.  
FIG. 2 is a perspective view from the upper left side thereof.  
FIG. 3 is a perspective view from the lower left side thereof.  
FIG. 4 is a perspective view from the lower right side thereof.  
FIG. 5 is a front elevation view thereof.  
FIG. 6 is a rear elevation view thereof.  
FIG. 7 is a top plan view thereof.  
FIG. 8 is a bottom plan view thereof.  
FIG. 9 is a left side elevation view thereof; and,  
FIG. 10 is a right side elevation view thereof.

**1 Claim, 10 Drawing Sheets**

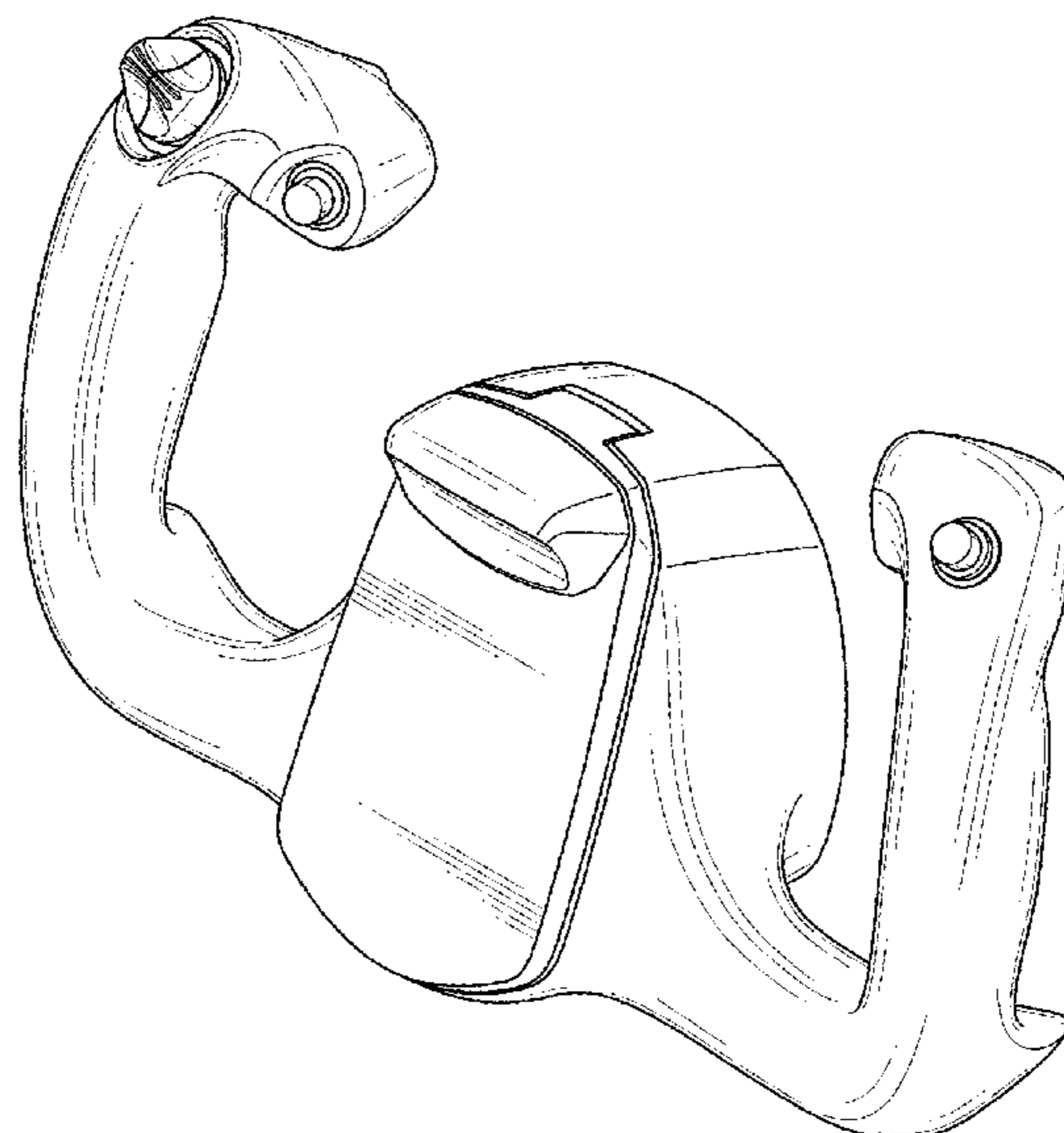


FIG. 1

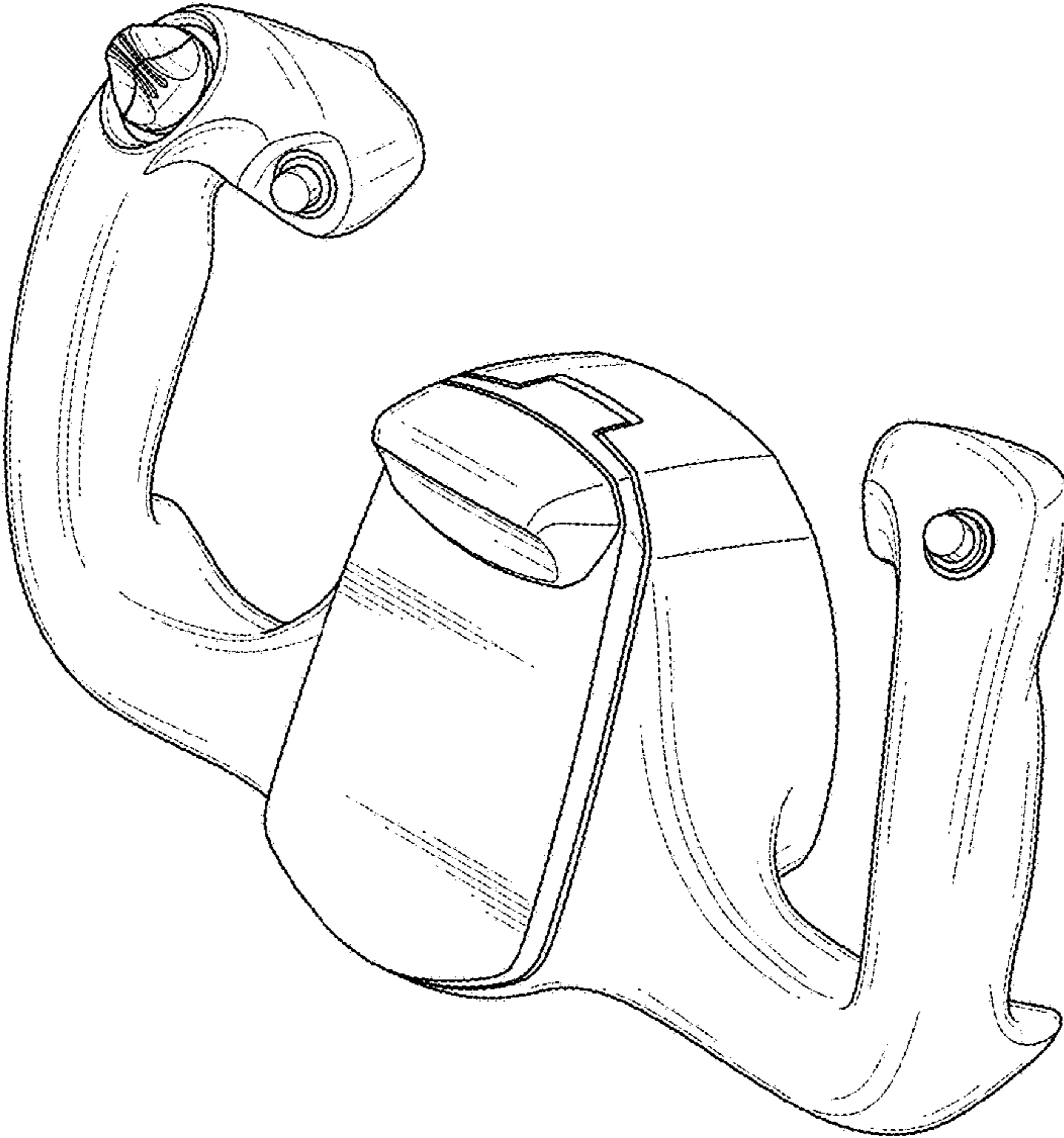


FIG. 2

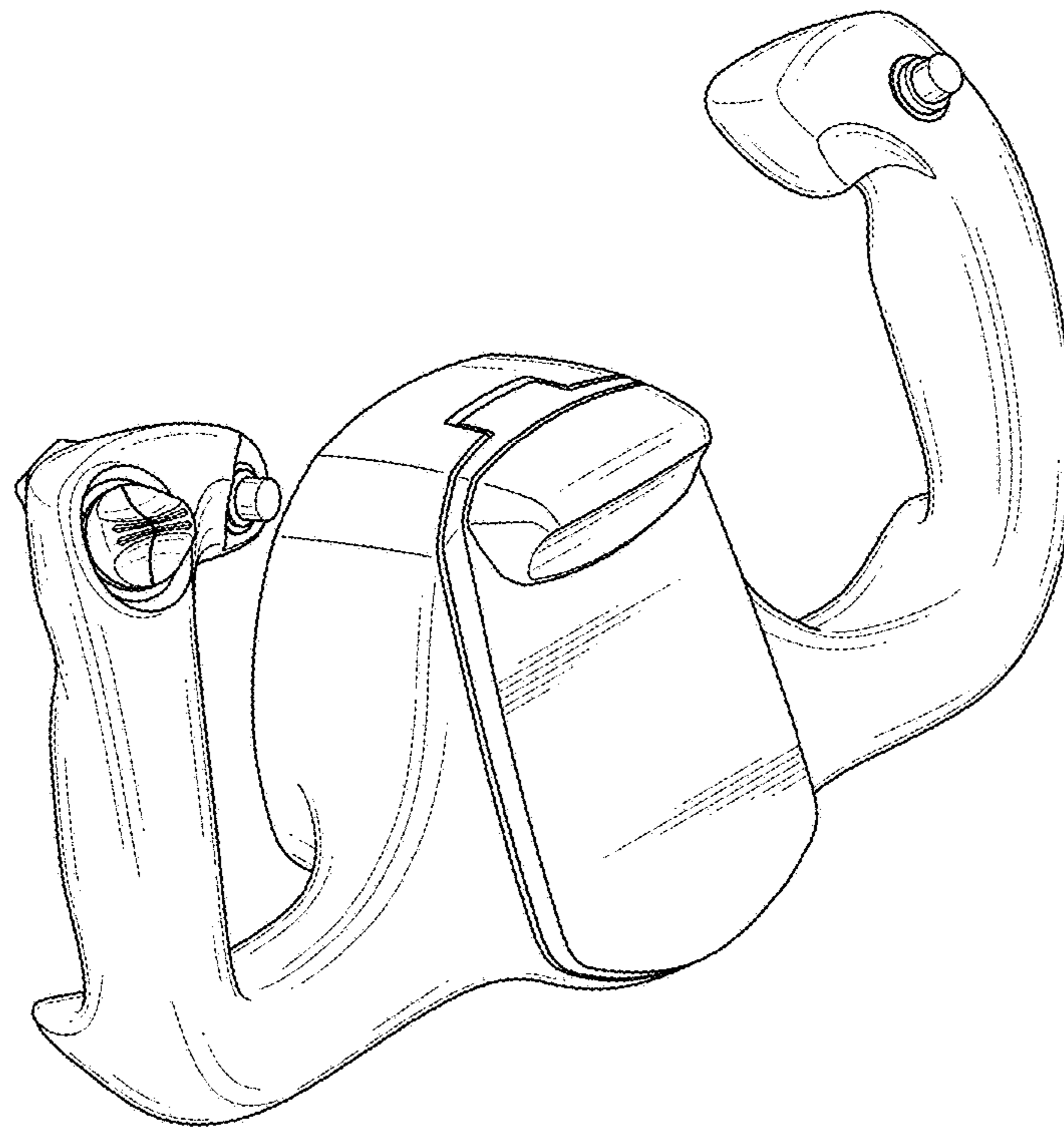


FIG. 3

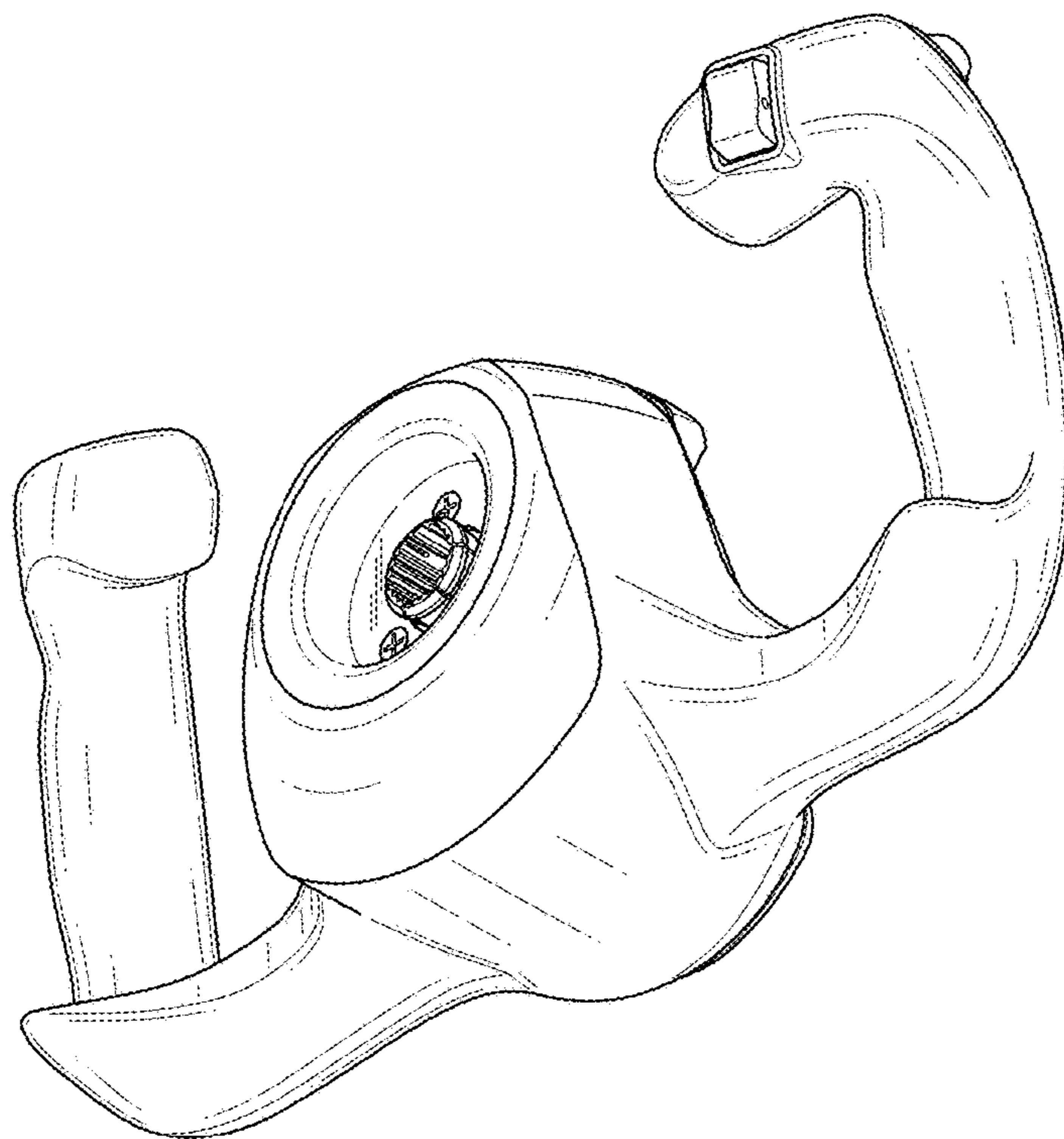


FIG. 4

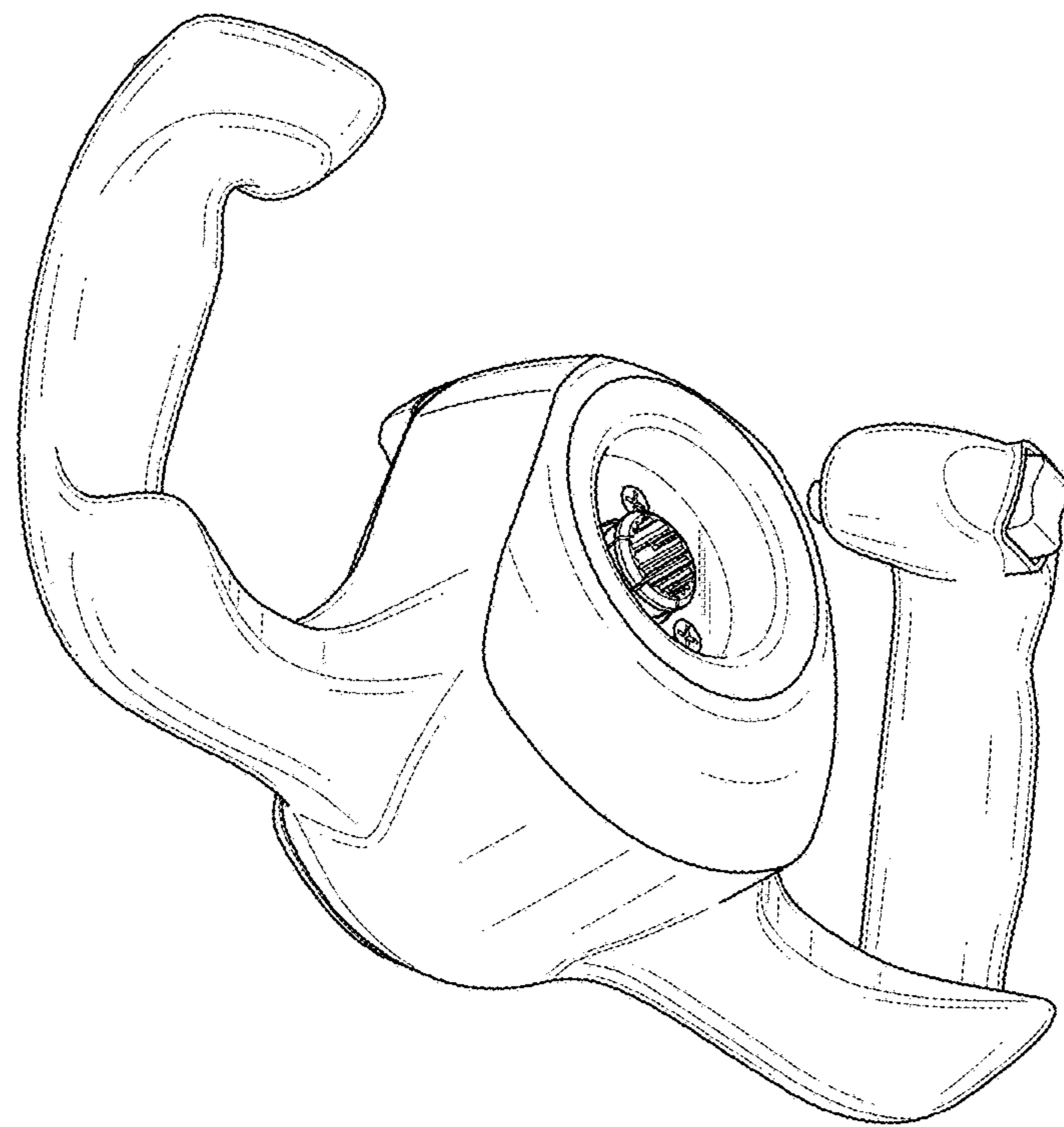


FIG. 5

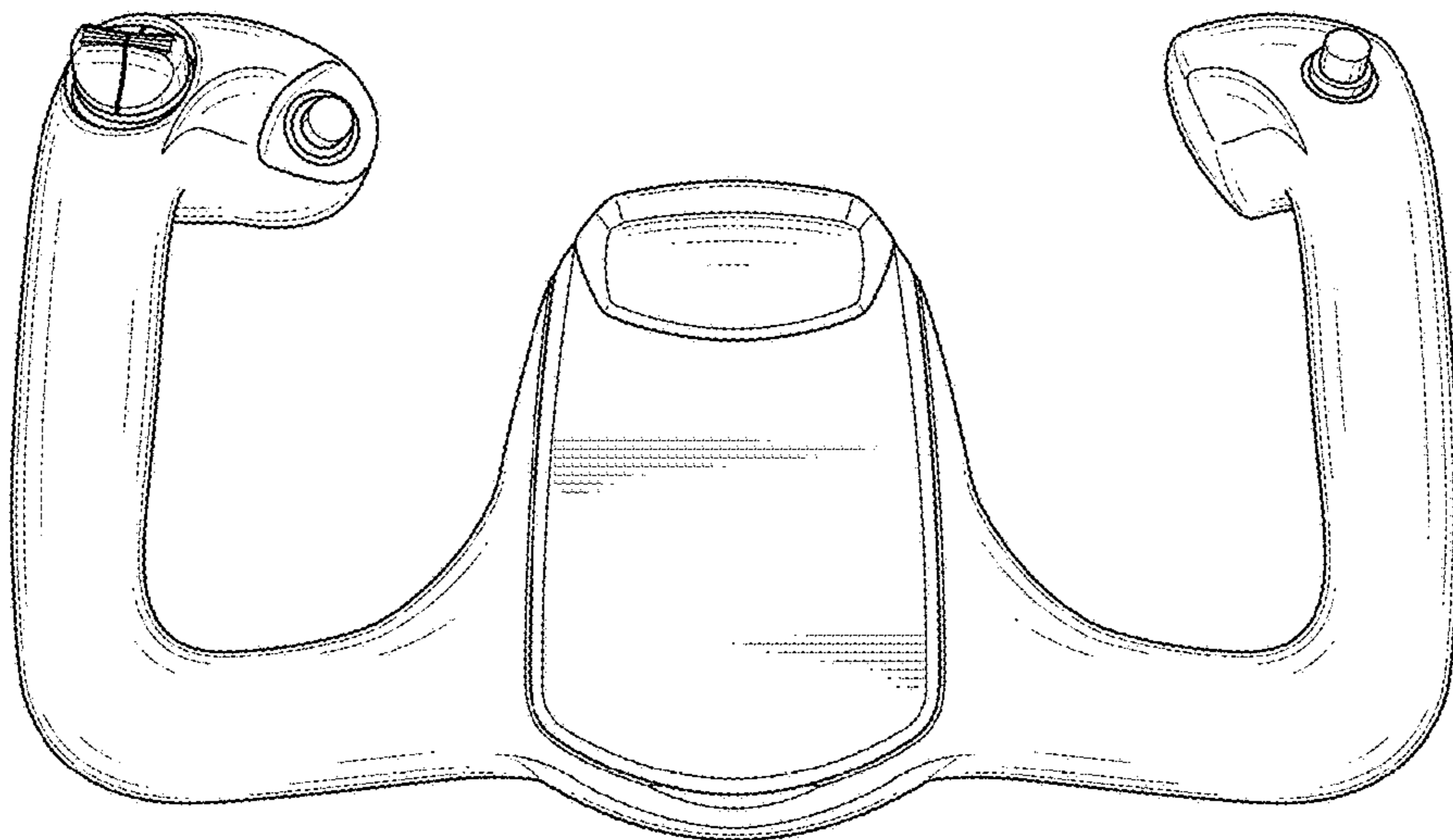


FIG. 6

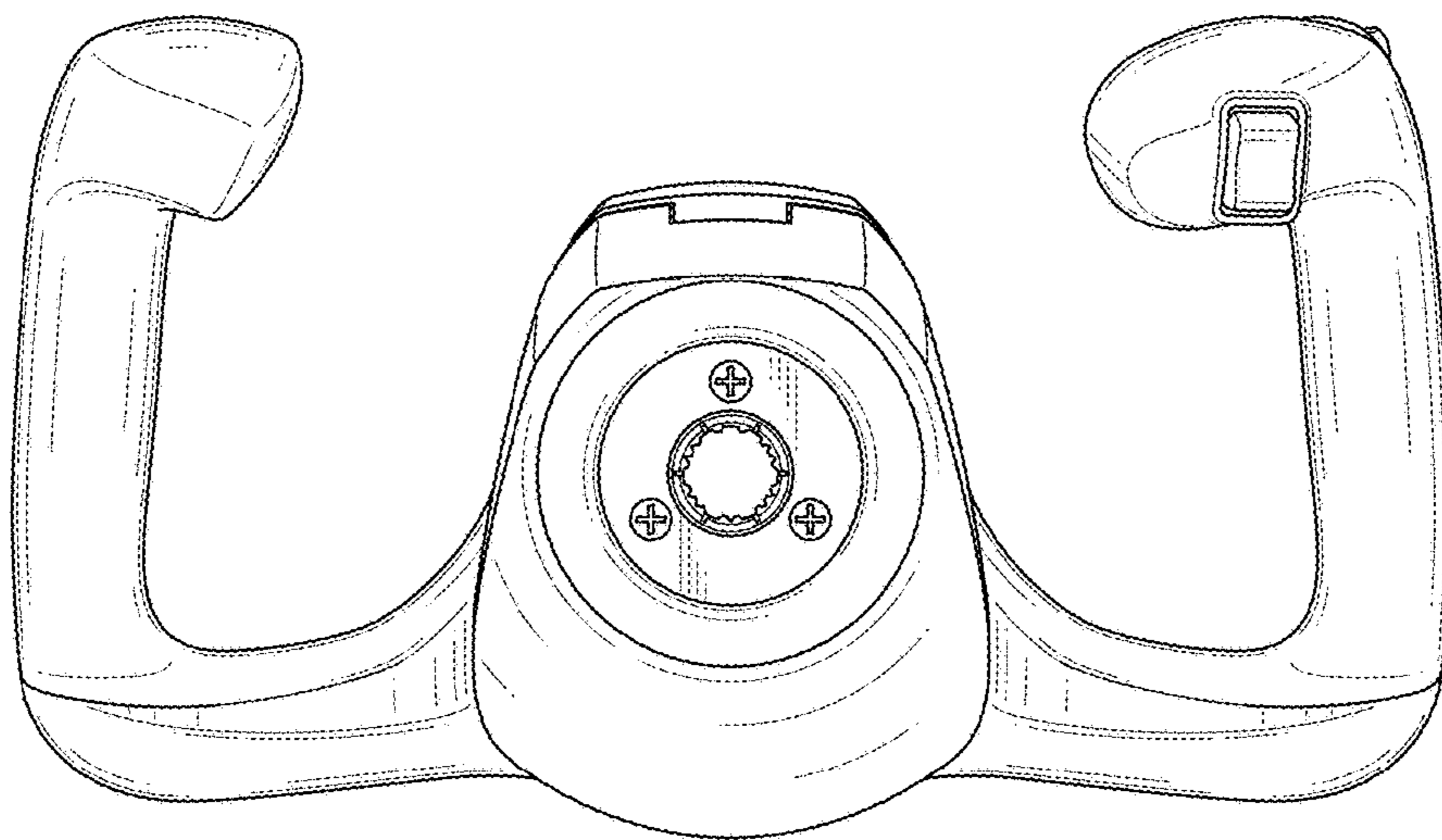


FIG. 7

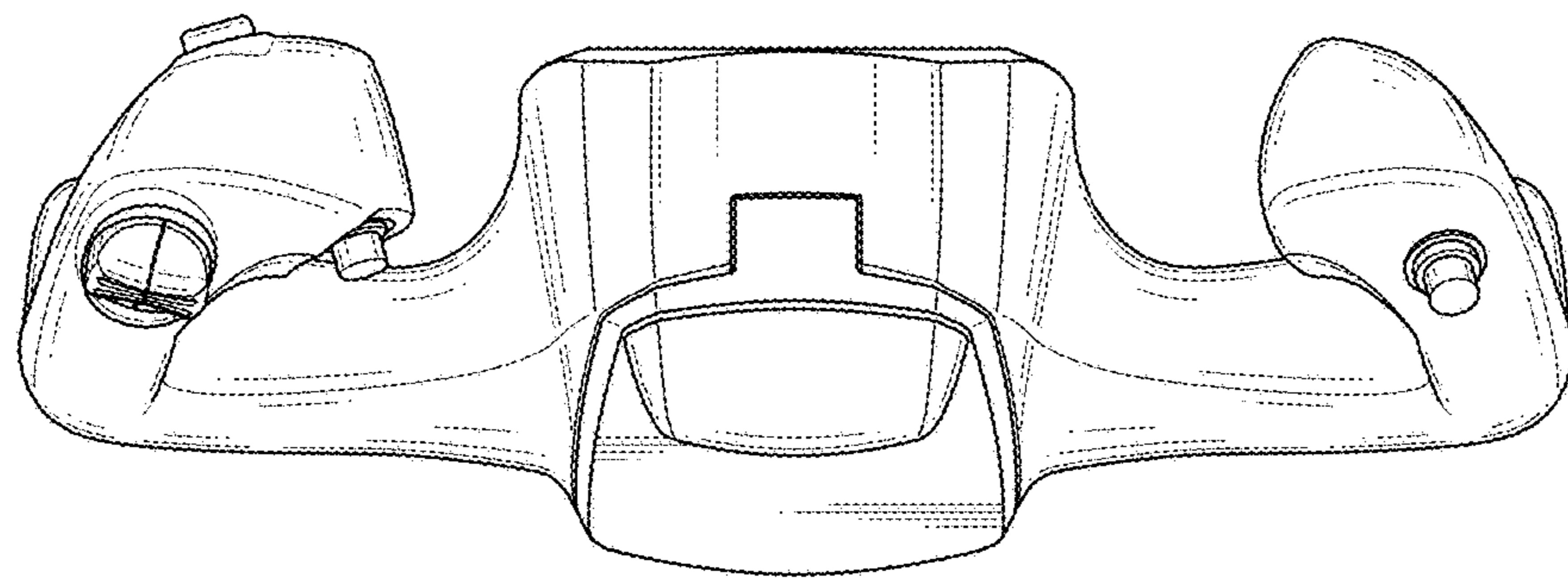




FIG. 8

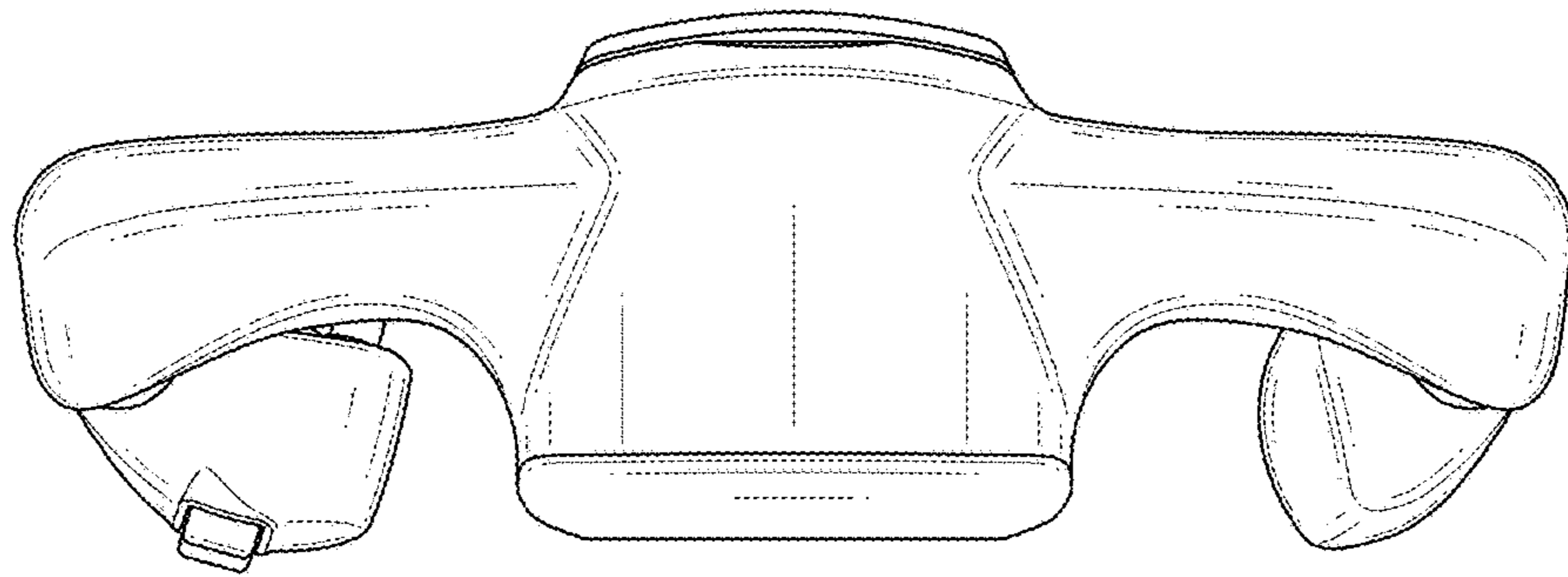


FIG. 9

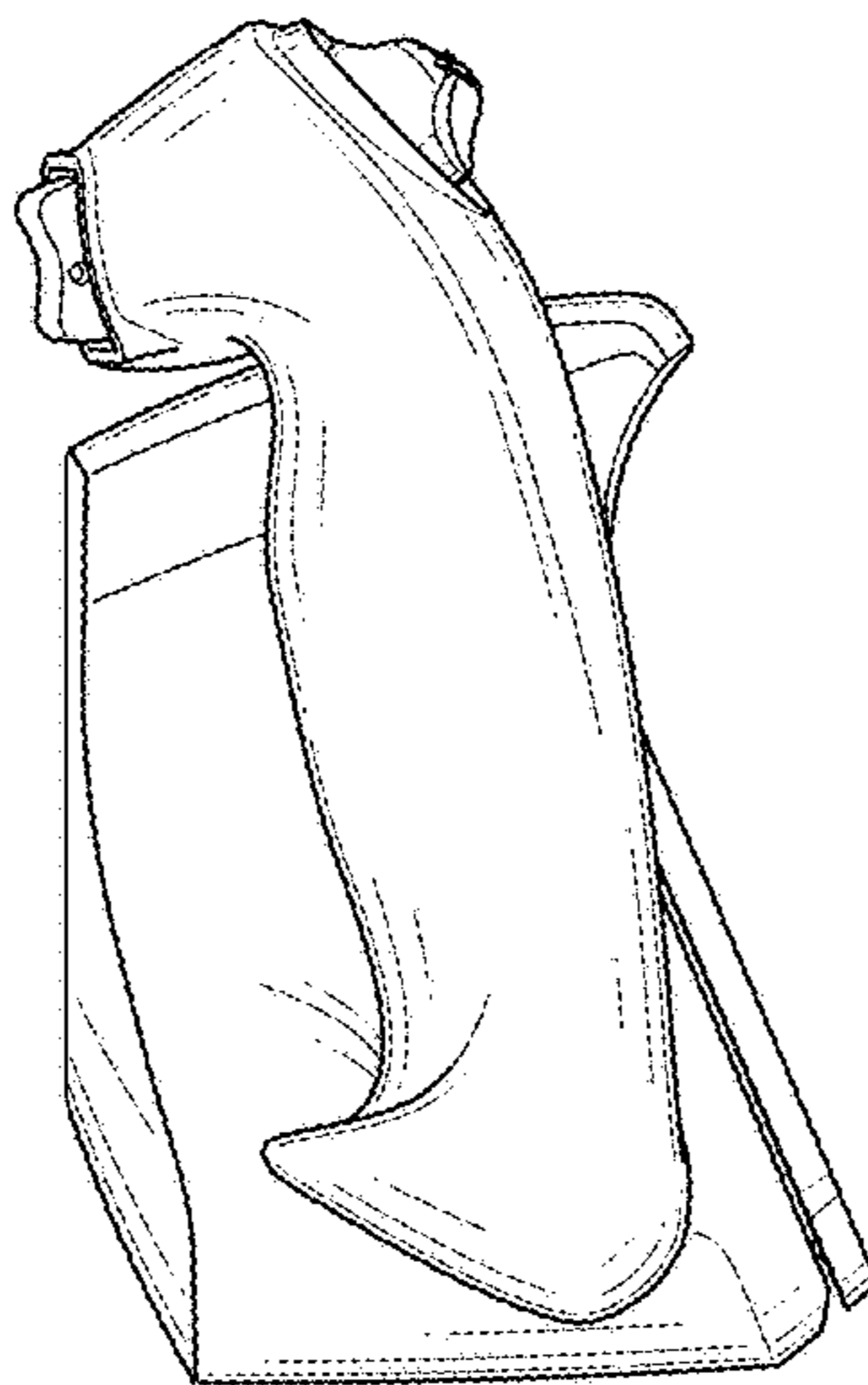


FIG. 10

