



US00D842175S

(12) **United States Design Patent**  
**Hartenstein**

(10) **Patent No.:** **US D842,175 S**

(45) **Date of Patent:** **\*\* Mar. 5, 2019**

(54) **VEHICLE GRILL**

(71) Applicant: **AAC Enterprises LLC**, Metairie, LA (US)

(72) Inventor: **Justin Hartenstein**, Metairie, LA (US)

(73) Assignee: **AAC Enterprises LLC**, Metairie, LA (US)

(\*\*) Term: **15 Years**

(21) Appl. No.: **29/642,687**

(22) Filed: **Mar. 31, 2018**

**Related U.S. Application Data**

(63) Continuation-in-part of application No. 15/932,428, filed on Oct. 9, 2017.

(51) **LOC (11) Cl.** ..... **12-16**

(52) **U.S. Cl.**  
USPC ..... **D12/163**

(58) **Field of Classification Search**  
USPC .... D12/169, 216, 90-92, 86, 171, 196, 163;  
293/193.11; 296/180.1, 180.2; 180/68.1,  
180/68.6  
CPC ..... B62D 25/08; B62B 9/16; B60K 11/08;  
B60R 19/52  
See application file for complete search history.

(56) **References Cited**

**U.S. PATENT DOCUMENTS**

D497,572 S \* 10/2004 Widmann ..... D12/91  
D507,766 S \* 7/2005 McMahan ..... D12/91

D534,097 S \* 12/2006 Renkert ..... D12/91  
D534,458 S \* 1/2007 Renkert ..... D12/91  
D554,563 S \* 11/2007 Moushegian ..... D12/91  
D731,922 S \* 6/2015 Beaven ..... D12/91  
D777,065 S \* 1/2017 Patel ..... D12/163  
D807,797 S \* 1/2018 Peat ..... D12/163  
D810,626 S \* 2/2018 Macey ..... D12/91  
D811,270 S \* 2/2018 Zhang ..... D12/91  
D814,354 S \* 4/2018 Fisker ..... D12/91  
D823,722 S \* 7/2018 Hoste ..... D12/91  
D826,107 S \* 8/2018 DiCanzio ..... D12/163  
D827,495 S \* 9/2018 Piscitelli ..... D12/91  
D828,223 S \* 9/2018 Piscitelli ..... D12/91

\* cited by examiner

*Primary Examiner* — Melody N Brown

(74) *Attorney, Agent, or Firm* — Edwin A. Sisson,  
Attorney at Law, LLC; Jeffrey J. Banyas

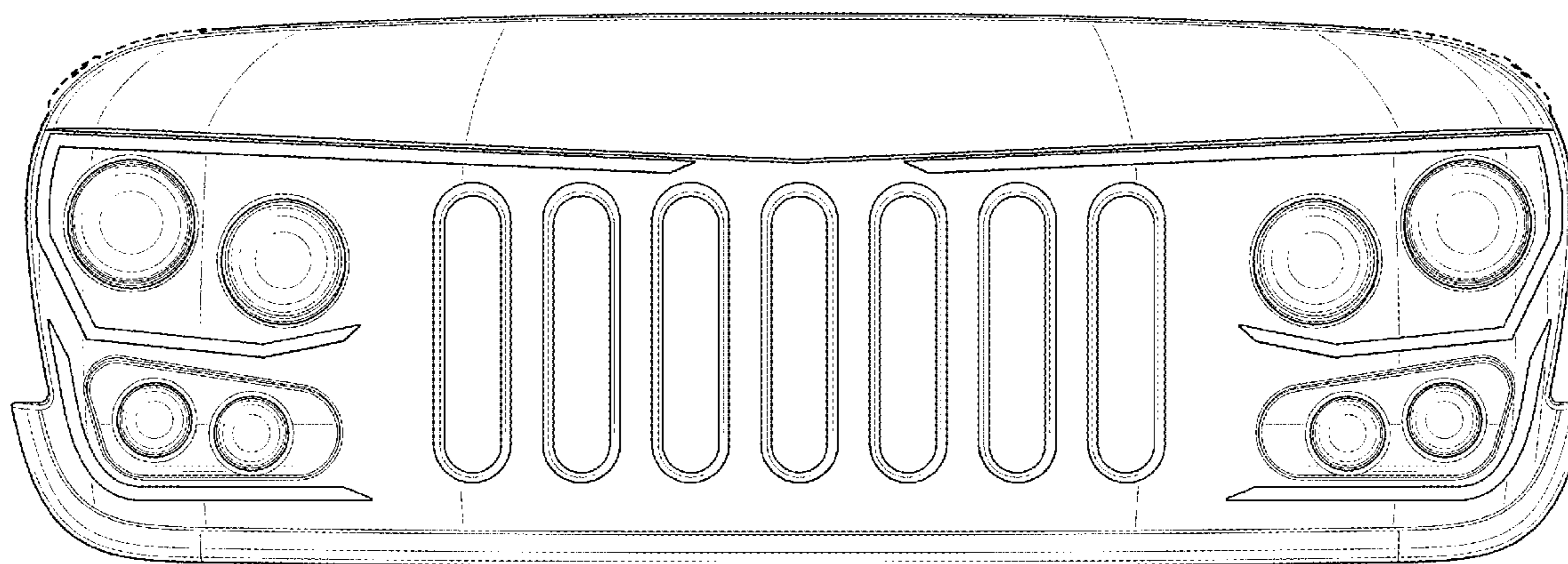
(57) **CLAIM**

The ornamental design for a vehicle grill, as shown and described.

**DESCRIPTION**

FIG. 1 is a front perspective view of a vehicle grill showing my new design;  
FIG. 2 is a front elevational view thereof;  
FIG. 3 is a rear elevational view thereof;  
FIG. 4 is a right side elevational view thereof;  
FIG. 5 is a left side elevational view thereof;  
FIG. 6 is a top plan view thereof; and,  
FIG. 7 is a bottom plan view thereof.  
The portions of the grill shown in broken lines are for illustrative and environmental purposes and form no part of the claimed design form no part of the claimed design.

**1 Claim, 5 Drawing Sheets**



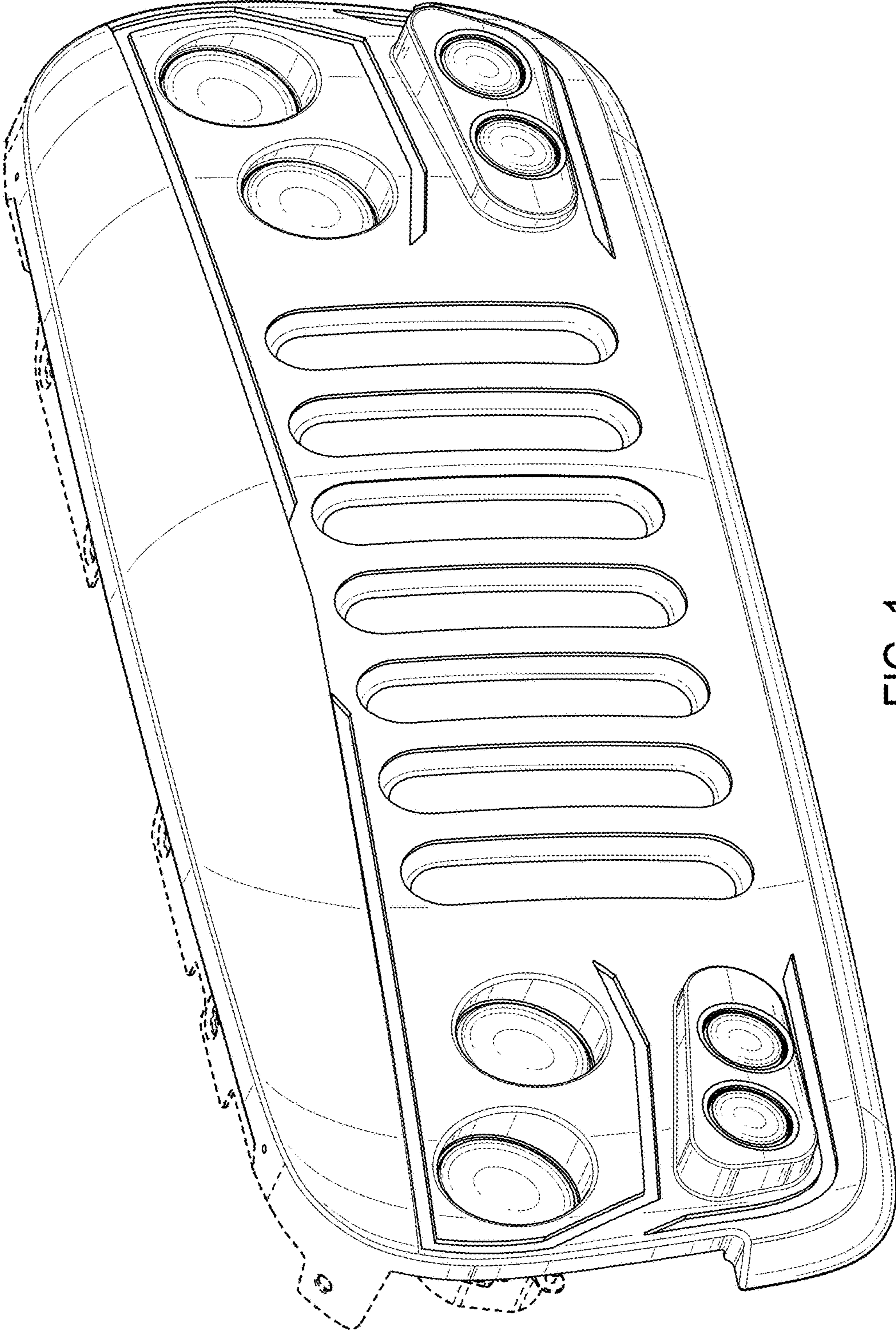


FIG. 1

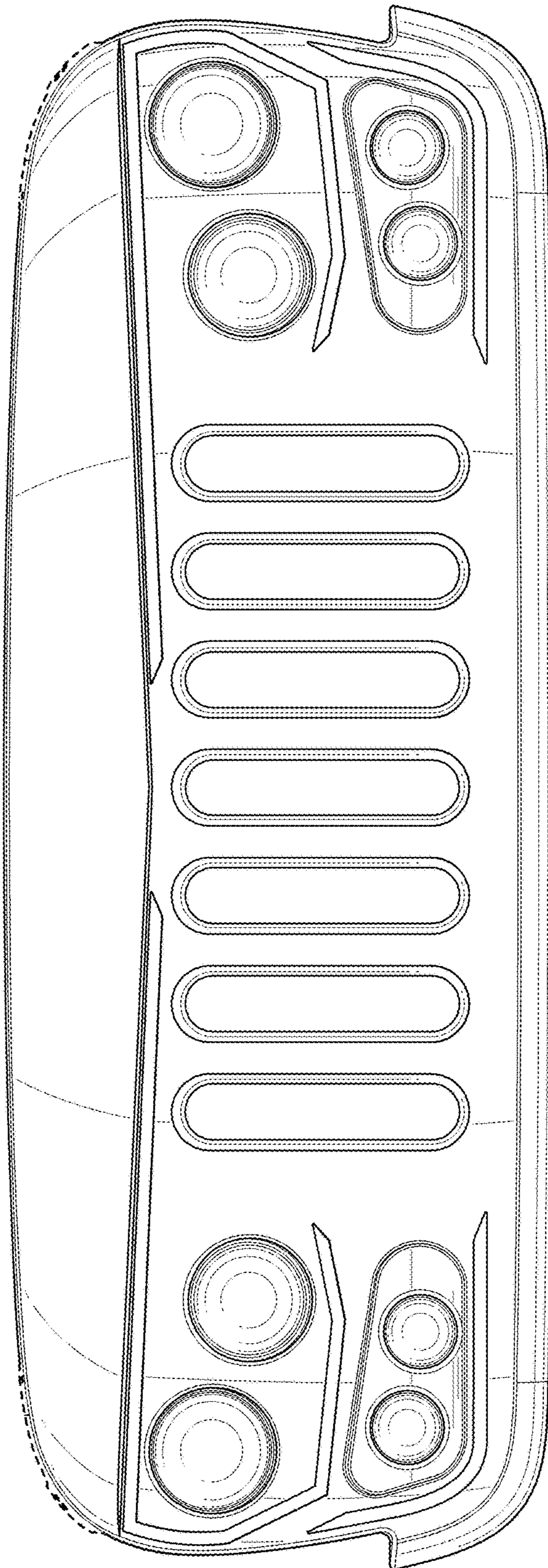


FIG. 2

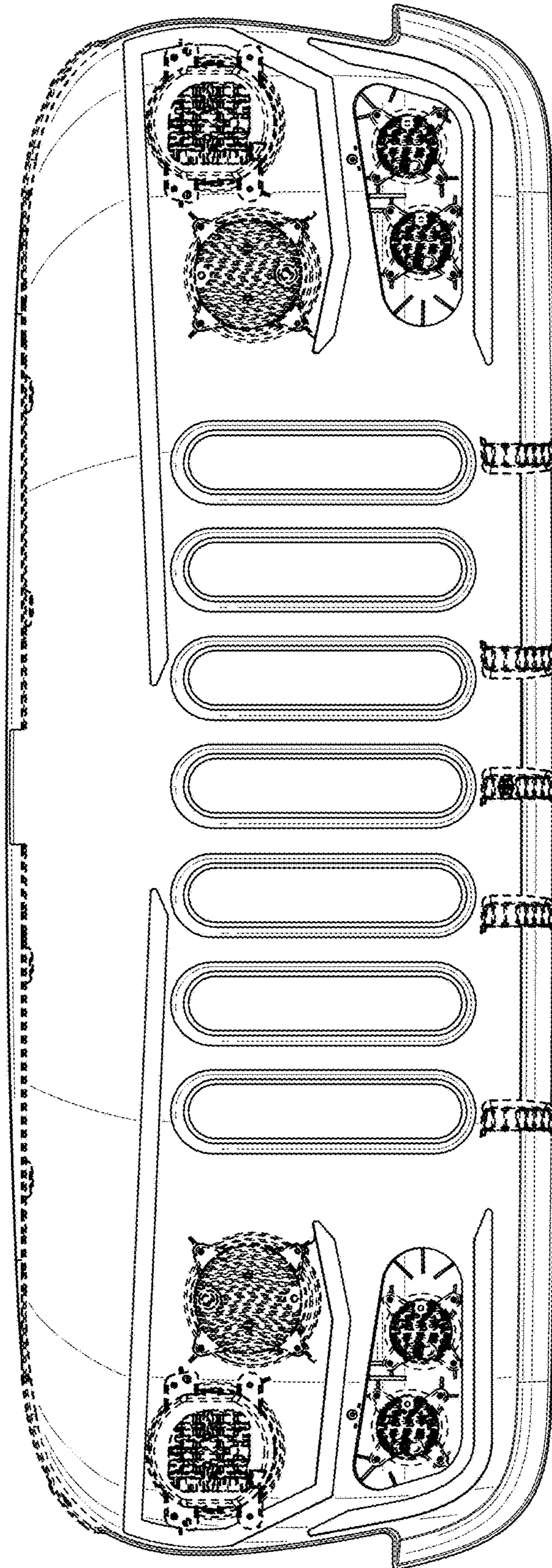


FIG. 3

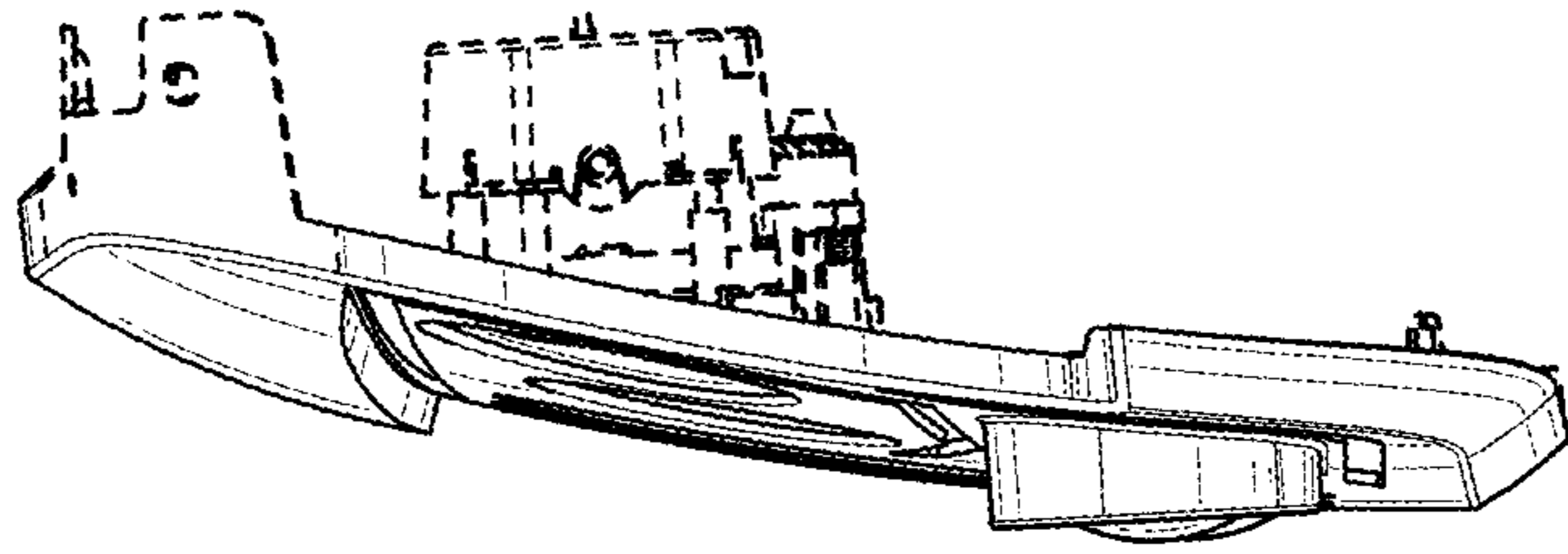


FIG. 5

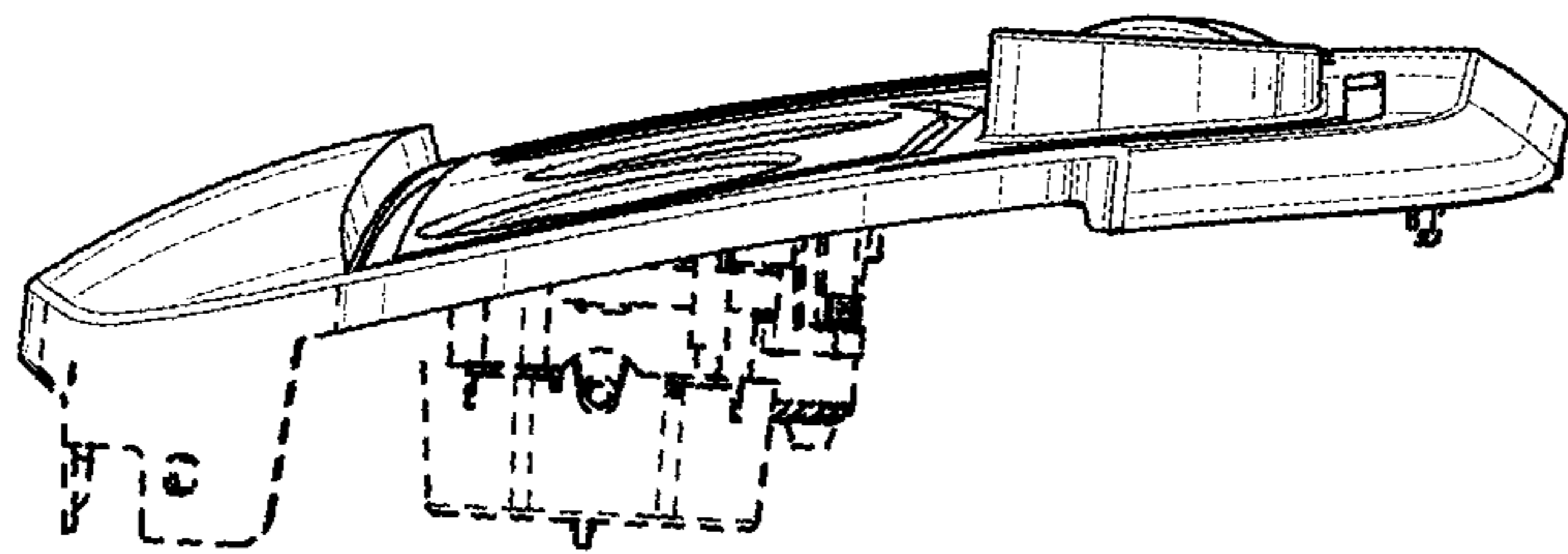


FIG. 4

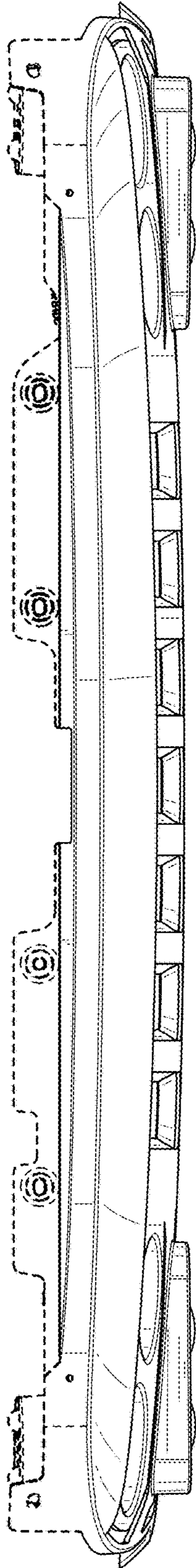


FIG. 6

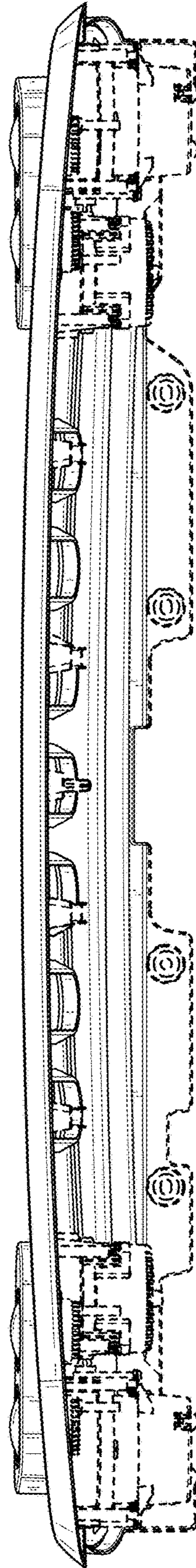


FIG. 7