



US00D842170S

(12) **United States Design Patent** (10) **Patent No.:** **US D842,170 S**
Dilworth et al. (45) **Date of Patent:** **** Mar. 5, 2019**

(54) **SPACER FOR A VEHICLE SUSPENSION**

2202/143; B60G 2202/142; B60G 2204/41; B60G 2202/14; B60G 2206/73

See application file for complete search history.

(71) Applicant: **Hendrickson USA, L.L.C.**, Itasca, IL (US)

(56) **References Cited**

U.S. PATENT DOCUMENTS

(72) Inventors: **Damon Elwood Dilworth**, Channahon, IL (US); **Michael Paul Bloink**, Romeoville, IL (US)

5,078,420	A *	1/1992	Jable	B60G 5/053 280/680
6,406,008	B1 *	6/2002	Dudding	B60G 9/003 248/228.1
7,328,887	B2 *	2/2008	Leonard	B60G 11/28 267/122
7,766,349	B2 *	8/2010	Gottschalk	B60G 9/003 280/86.5

(73) Assignee: **Hendrickson USA, L.L.C.**, Itasca, IL (US)

(Continued)

(**) Term: **15 Years**

OTHER PUBLICATIONS

(21) Appl. No.: **29/581,031**

Hendrickson Parts List Brochure, LIT No. SP-170, Revision B, Mar. 2005, pp. 2-3.

(22) Filed: **Oct. 14, 2016**

(Continued)

Related U.S. Application Data

Primary Examiner — Michael A. Pratt

(63) Continuation of application No. 29/516,891, filed on Feb. 6, 2015, now Pat. No. Des. 772,115, which is a continuation of application No. 14/419,911, filed as application No. PCT/US2013/053246 on Aug. 1, 2013, now Pat. No. 9,493,048, which is a continuation of application No. 13/839,651, filed on Mar. 15, 2013, now Pat. No. 8,827,289.

(74) *Attorney, Agent, or Firm* — Cook Alex Ltd.

(51) **LOC (11) Cl.** **12-16**

(57) **CLAIM**

(52) **U.S. Cl.**

The ornamental design for a spacer for a vehicle suspension, as shown and described.

USPC **D12/159**

DESCRIPTION

(58) **Field of Classification Search**

USPC D12/159

CPC B60G 11/22; B60G 2204/125; B60G

FIG. 1 is a perspective view of a first embodiment of the spacer for a vehicle suspension;
FIG. 2 is another perspective view of the first embodiment;
FIG. 3 is a left side elevational view of the first embodiment as shown in FIG. 1;
FIG. 4 is a front elevational view of the first embodiment as shown in FIG. 1;
FIG. 5 is a right side elevational view of the first embodiment as shown in FIG. 1;
FIG. 6 is a rear elevational view of the first embodiment as shown in FIG. 1;

(Continued)

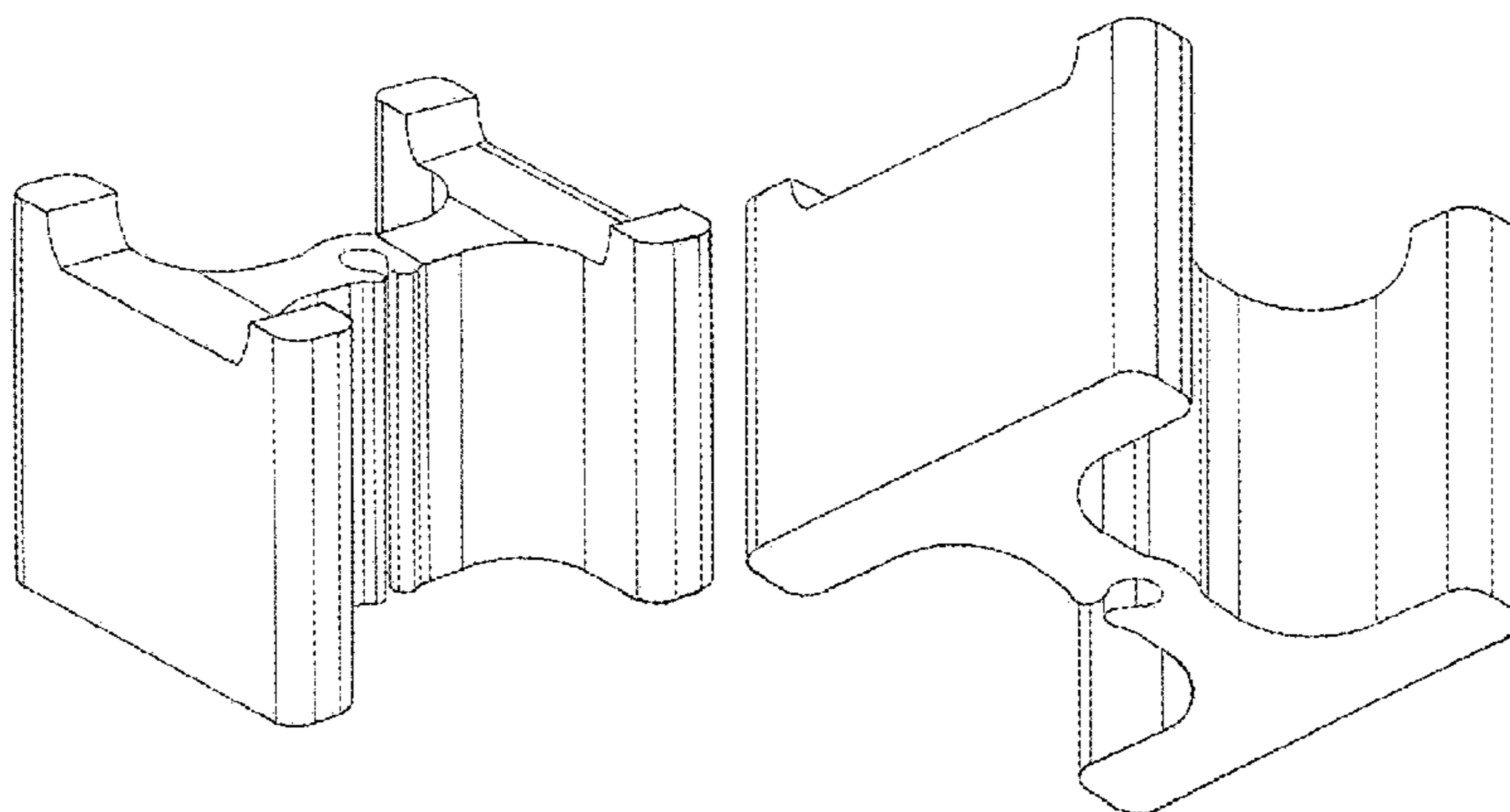


FIG. 7 is a top plan view of the first embodiment as shown in FIG. 1; and, FIG. 8 is a bottom plan view of the first embodiment as shown in FIG. 1. The broken lines shown in the drawings are for illustrative purposes only and form no part of the claimed design.

1 Claim, 3 Drawing Sheets

(56)

References Cited

U.S. PATENT DOCUMENTS

9,114,685 B2 * 8/2015 Wilson B60G 11/113
2006/0103103 A1 * 5/2006 Land B60G 7/02
280/124.163
2009/0173033 A1 * 7/2009 Baxter, Jr. A63J 1/00
52/646

2011/0017014 A1 * 1/2011 Batdorff B60G 7/008
74/607
2015/0145227 A1 * 5/2015 Wilson B60G 13/005
280/124.11
2015/0165851 A1 * 6/2015 Dilworth B60G 11/10
280/124.175

OTHER PUBLICATIONS

Hendrickson Parts List Brochure, LIT No. SP-148, Revision D, Apr. 2004, pp. 2-3.
Hendrickson Parts List Brochure, LIT No. SP-169, Revision C, Jul. 2010, pp. 2-3.
Hendrickson Technical Brochure, LIT No. SP-17730-246, Revision B, Dec. 2007, pp. 8-9.
Hendrickson Parts List Brochure, LIT No. SP-172, Revision C, Jan. 2008, pp. 2-9.

* cited by examiner

FIG. 1

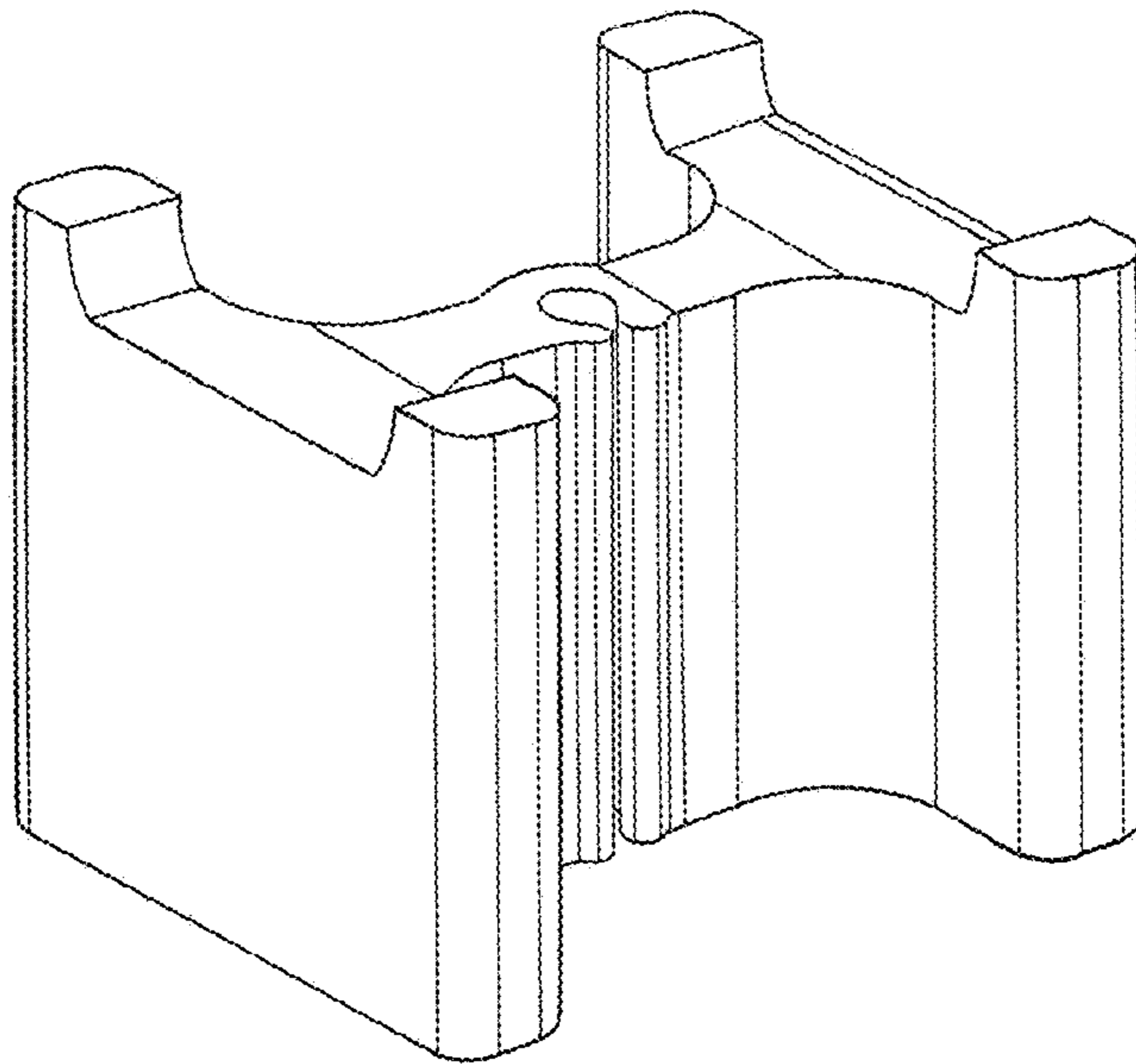


FIG. 2

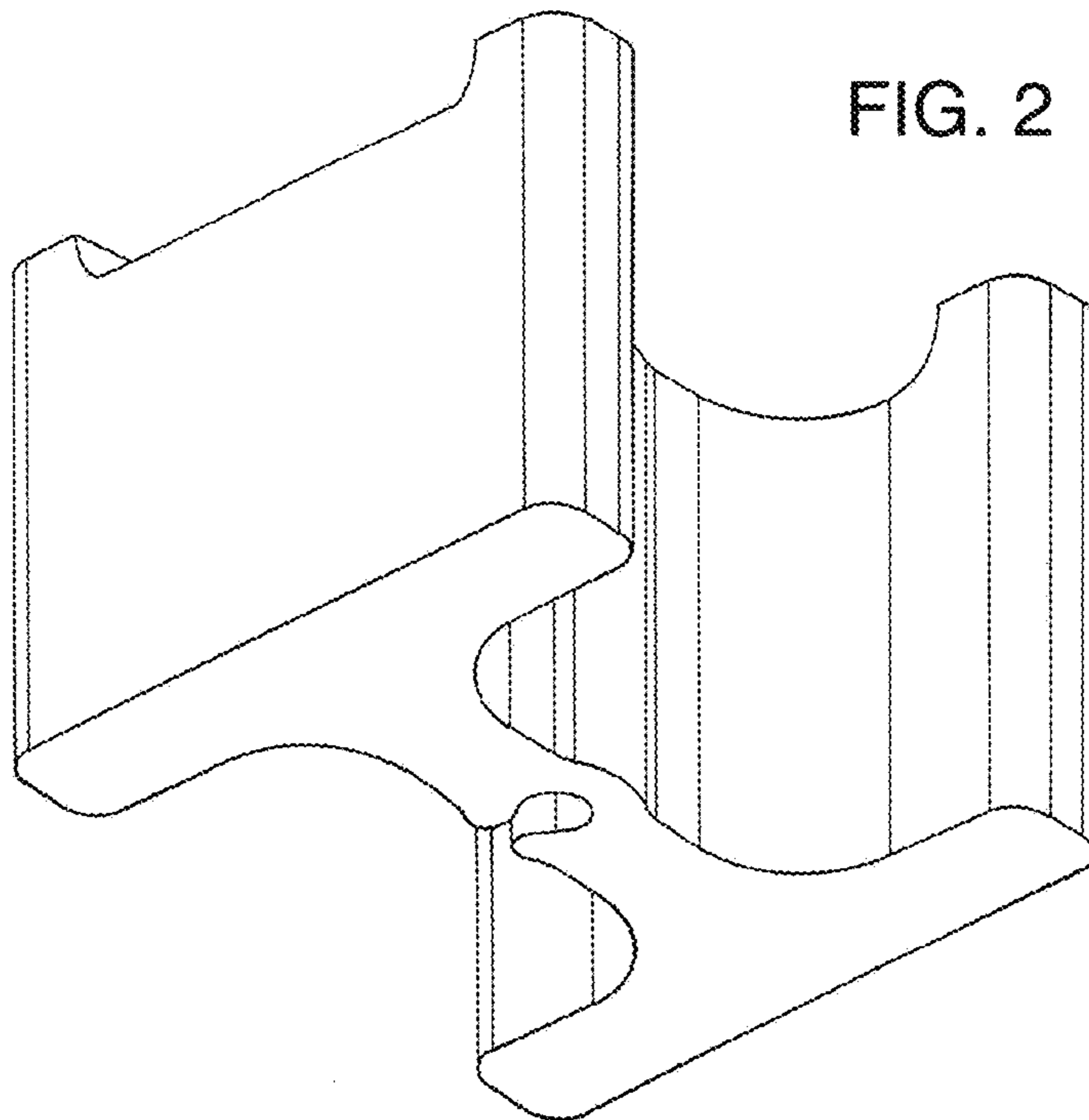


FIG. 3

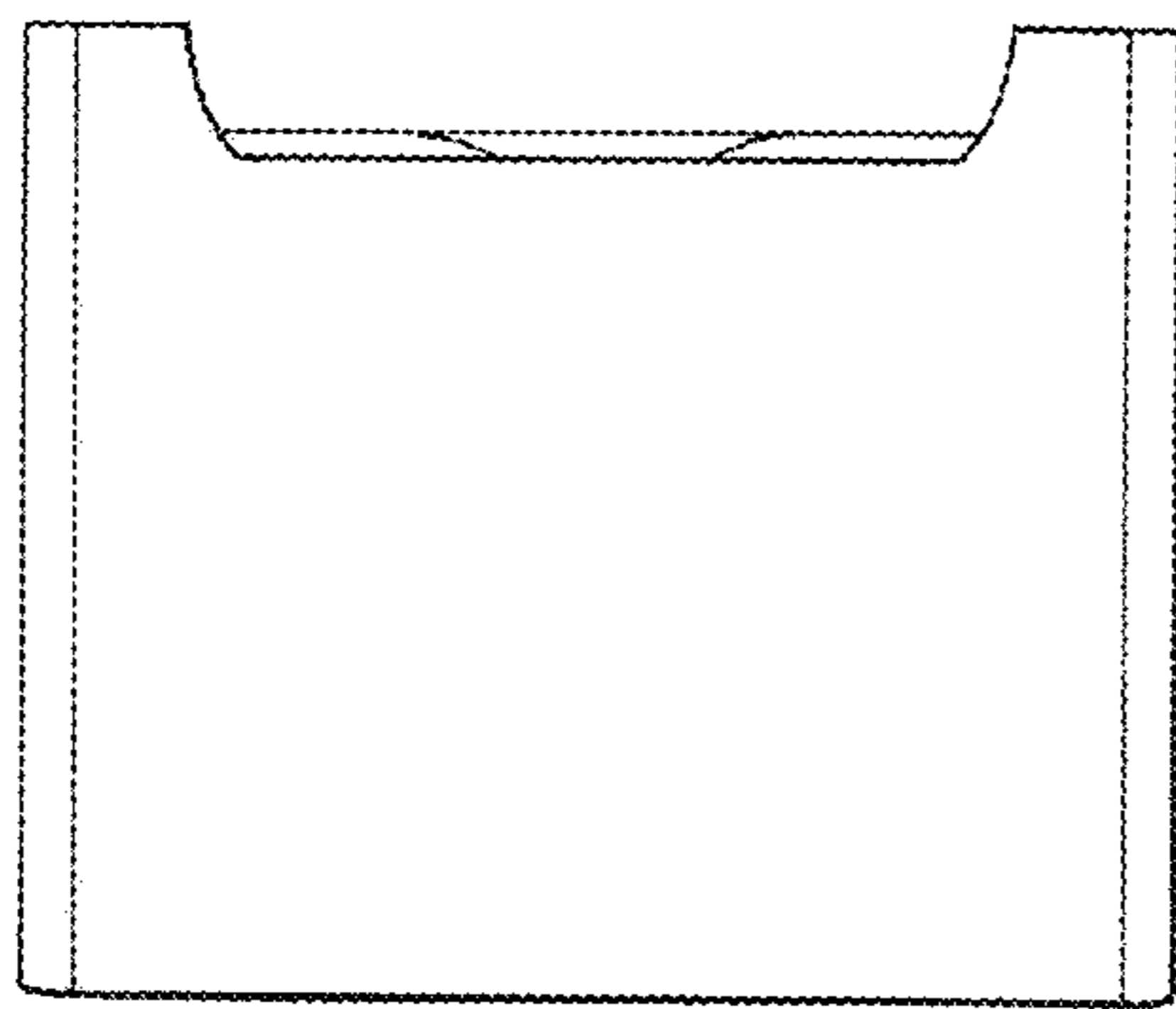


FIG. 4

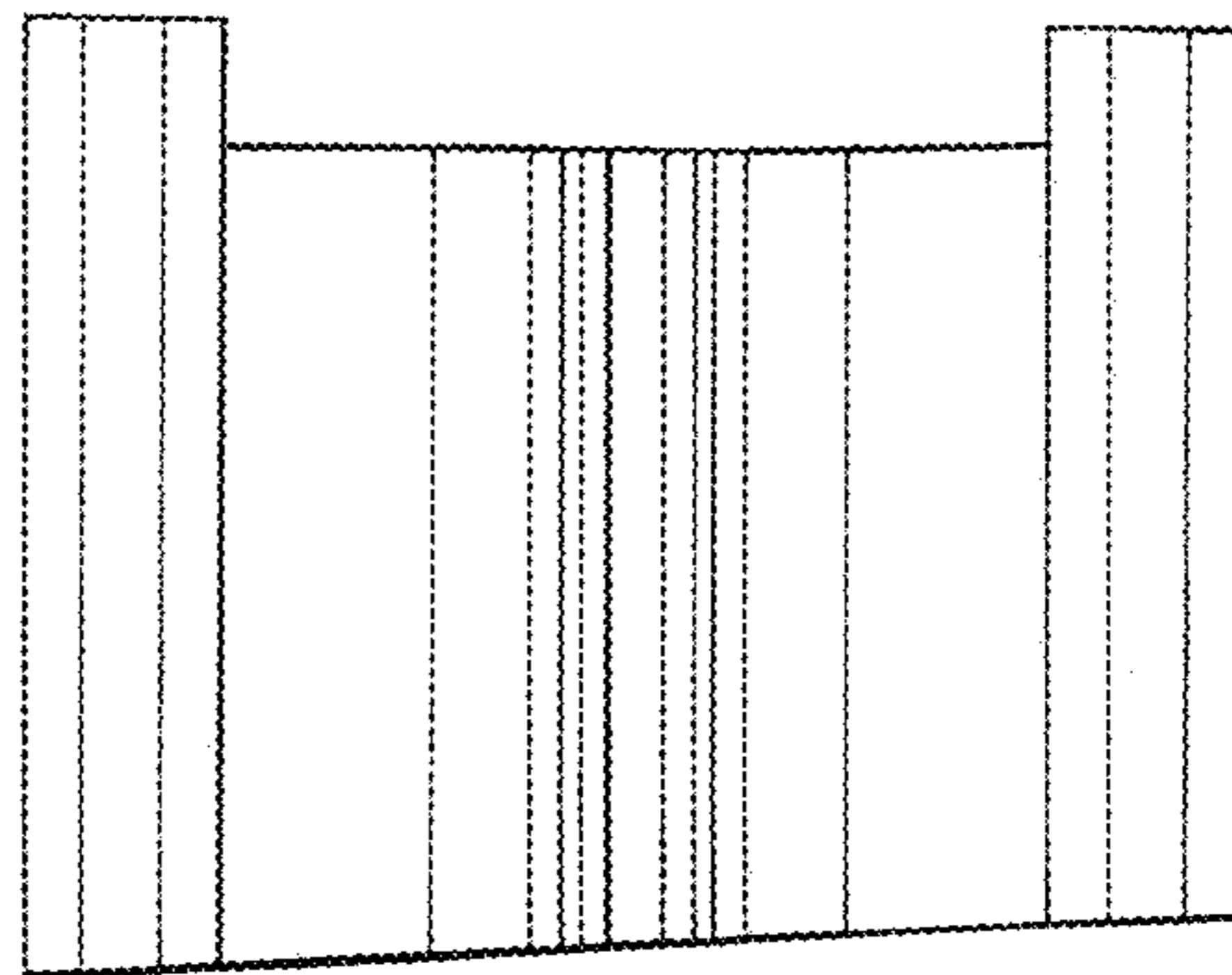


FIG. 5

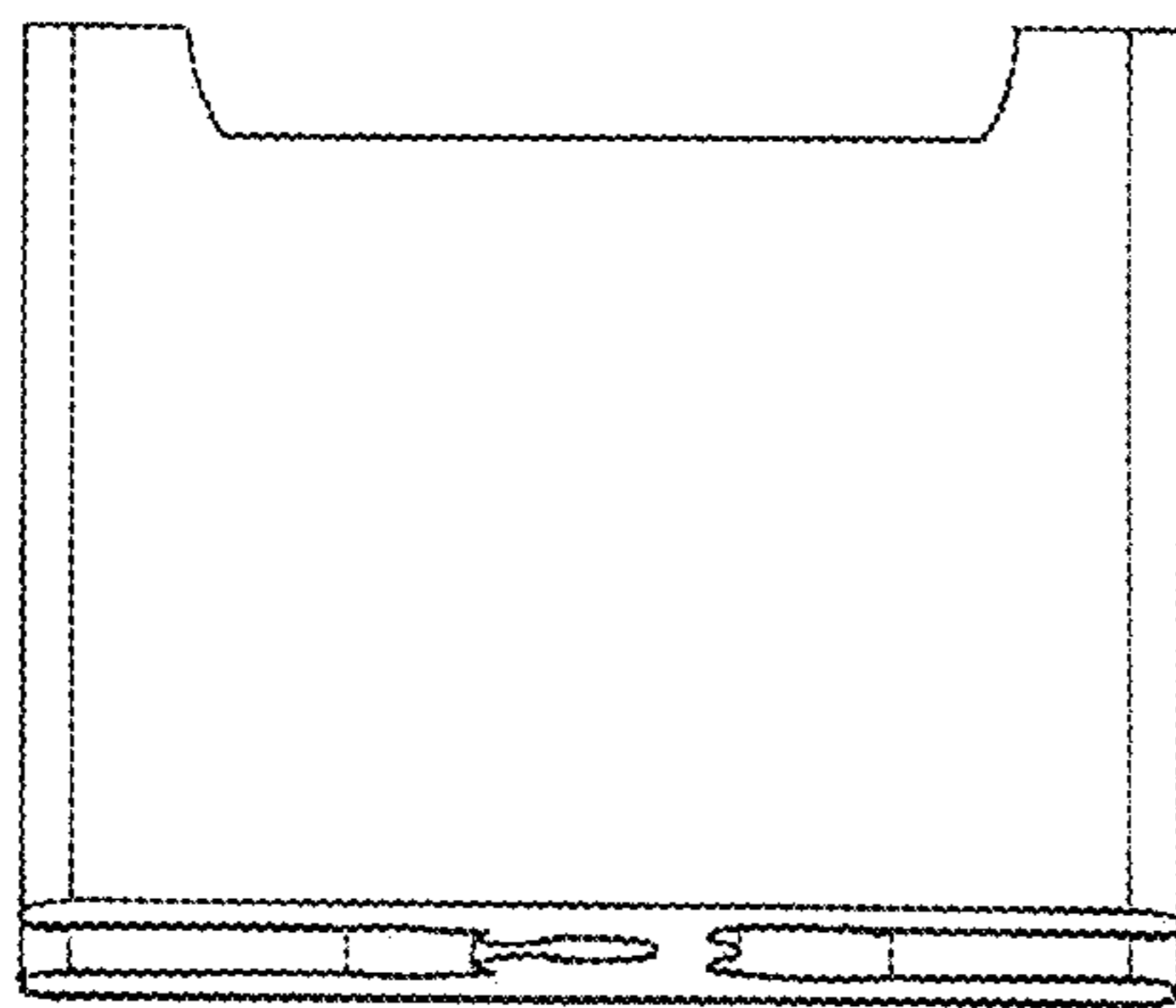


FIG. 6

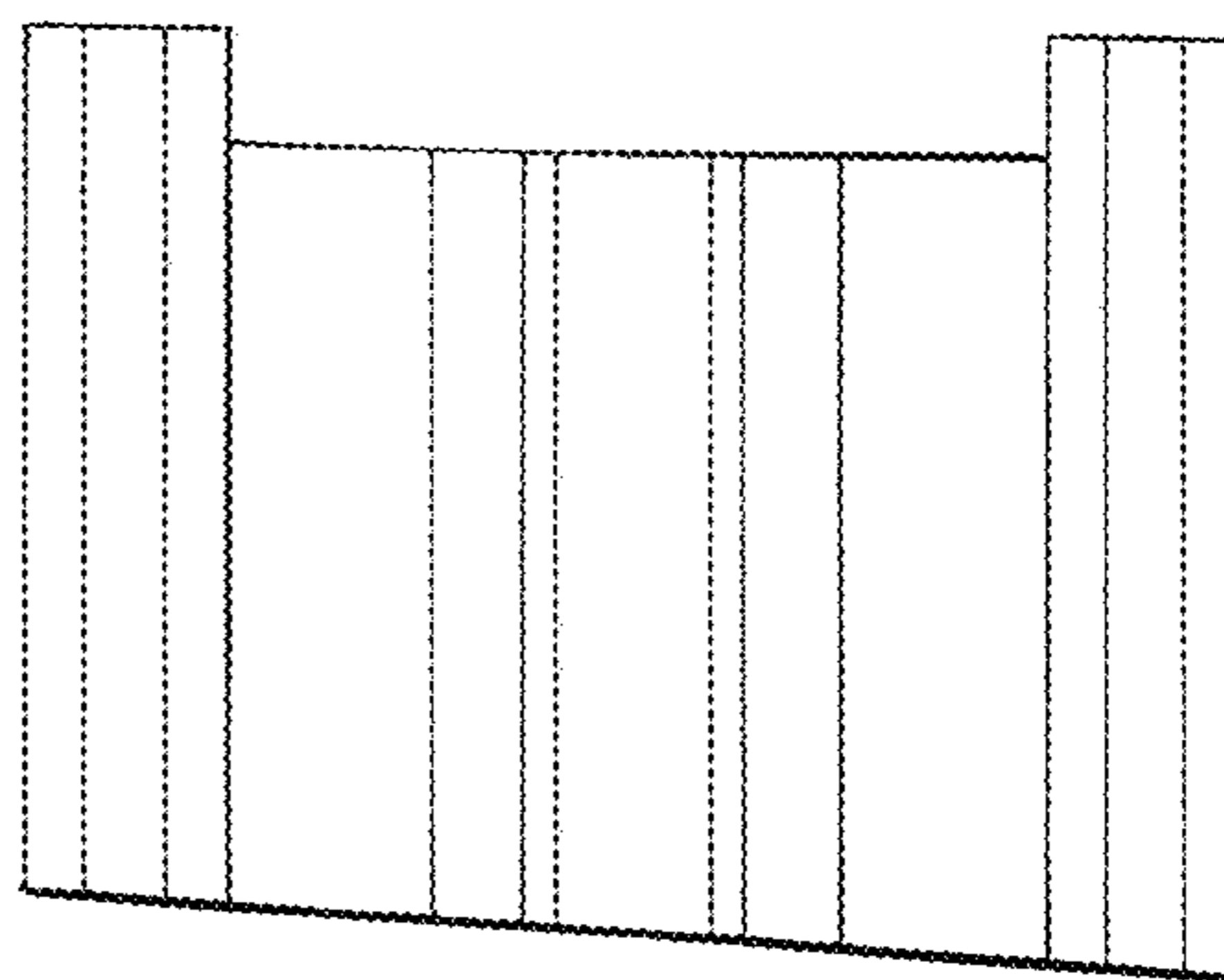


FIG. 7

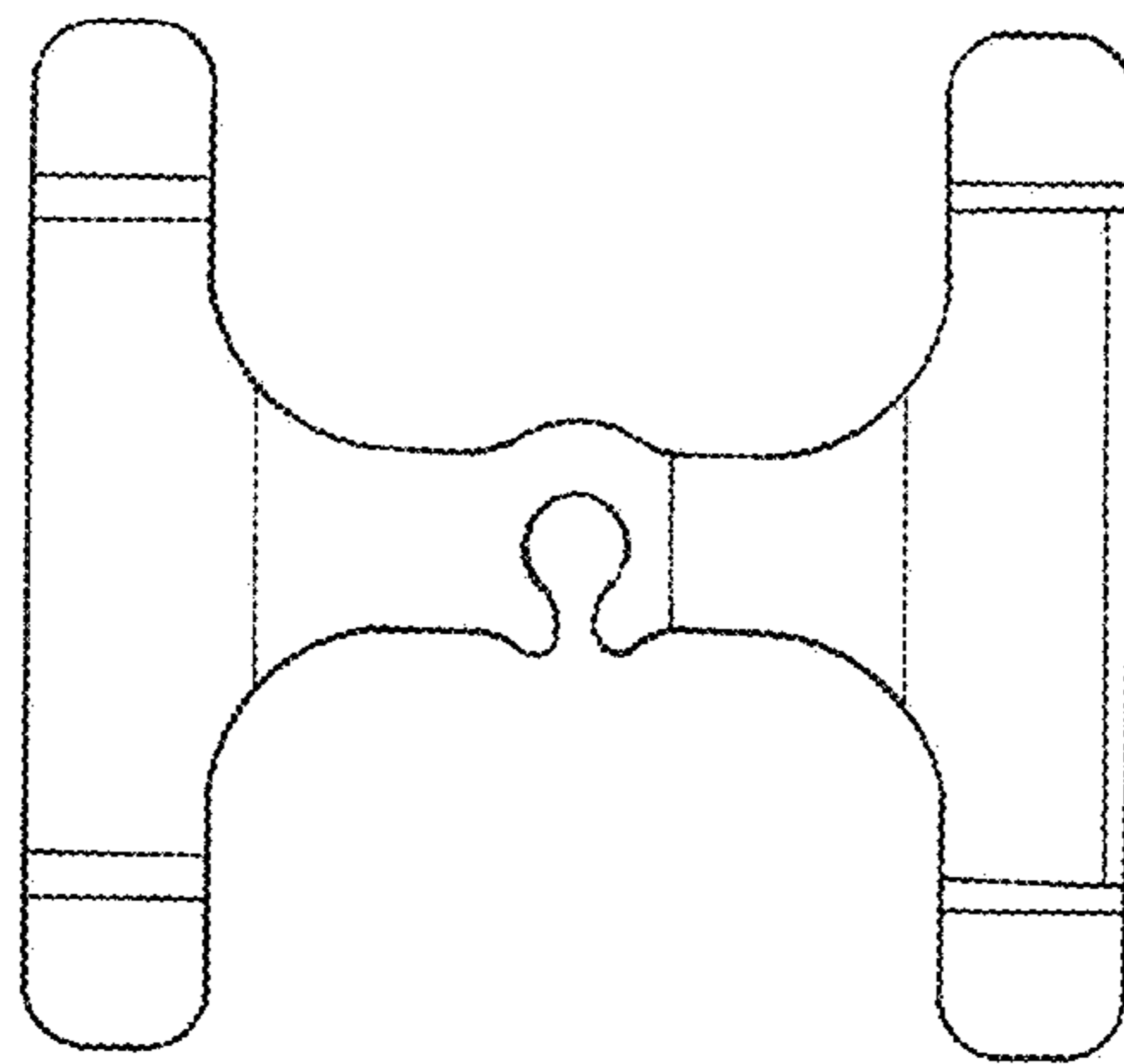


FIG. 8

