



US00D842169S

(12) **United States Design Patent**  
**Delgatty et al.**

(10) **Patent No.:** **US D842,169 S**  
(45) **Date of Patent:** **\*\* Mar. 5, 2019**

(54) **ELECTRIC CONVENIENCE VEHICLE**  
(71) Applicant: **URBAN626, LLC**, Pasadena, CA (US)  
(72) Inventors: **Grant Delgatty**, Pasadena, CA (US);  
**Sven Etzelsberger**, Pasadena, CA (US);  
**SooJin Kim**, Pasadena, CA (US)  
(73) Assignee: **URBAN626, LLC**, Pasadena, CA (US)

D476,618 S 7/2003 Wong et al.  
6,588,787 B2 7/2003 Ou  
D483,821 S 12/2003 Yang  
D487,908 S 3/2004 Mayer et al.  
D503,362 S 3/2005 Zhu et al.  
D511,719 S 11/2005 Chung  
D513,629 S 1/2006 Sramek  
D513,772 S 1/2006 Otis et al.

(Continued)

(\*\*) Term: **15 Years**

(21) Appl. No.: **29/614,633**

(22) Filed: **Aug. 21, 2017**

(51) **LOC (11) Cl.** ..... **12-12**

(52) **U.S. Cl.**  
USPC ..... **D12/128**

(58) **Field of Classification Search**  
USPC ..... D12/128-133  
CPC ..... A61G 5/04; A61G 5/041-5/047; A61G  
2005/048

See application file for complete search history.

(56) **References Cited**

**U.S. PATENT DOCUMENTS**

1,359,329 A 11/1920 Carson  
3,486,765 A 12/1969 Turner  
3,695,496 A 10/1972 Humlong  
4,067,589 A 1/1978 Hon  
4,282,993 A 8/1981 Humlong  
4,598,923 A 7/1986 Csizmadia et al.  
4,653,767 A 3/1987 Gajewski  
D331,906 S 12/1992 Mohri  
D337,984 S 8/1993 Lindahl  
D338,433 S 8/1993 Crooks, Sr.  
5,741,305 A 4/1998 Vincent et al.  
D401,190 S \* 11/1998 Krause ..... D12/128  
D454,814 S \* 3/2002 Ou ..... D12/128  
D457,197 S 5/2002 Becker  
D464,379 S 10/2002 Lin  
D466,839 S 12/2002 Ou

**FOREIGN PATENT DOCUMENTS**

CN 2078727 U 6/1991  
CN 2094497 U 1/1992

(Continued)

**OTHER PUBLICATIONS**

Chinese Design No. 201530360131.6, filed Sep. 17, 2015, Published Jan. 6, 2016 as 303541390.

(Continued)

*Primary Examiner* — Charles D Hanson  
(74) *Attorney, Agent, or Firm* — KPPB LLP

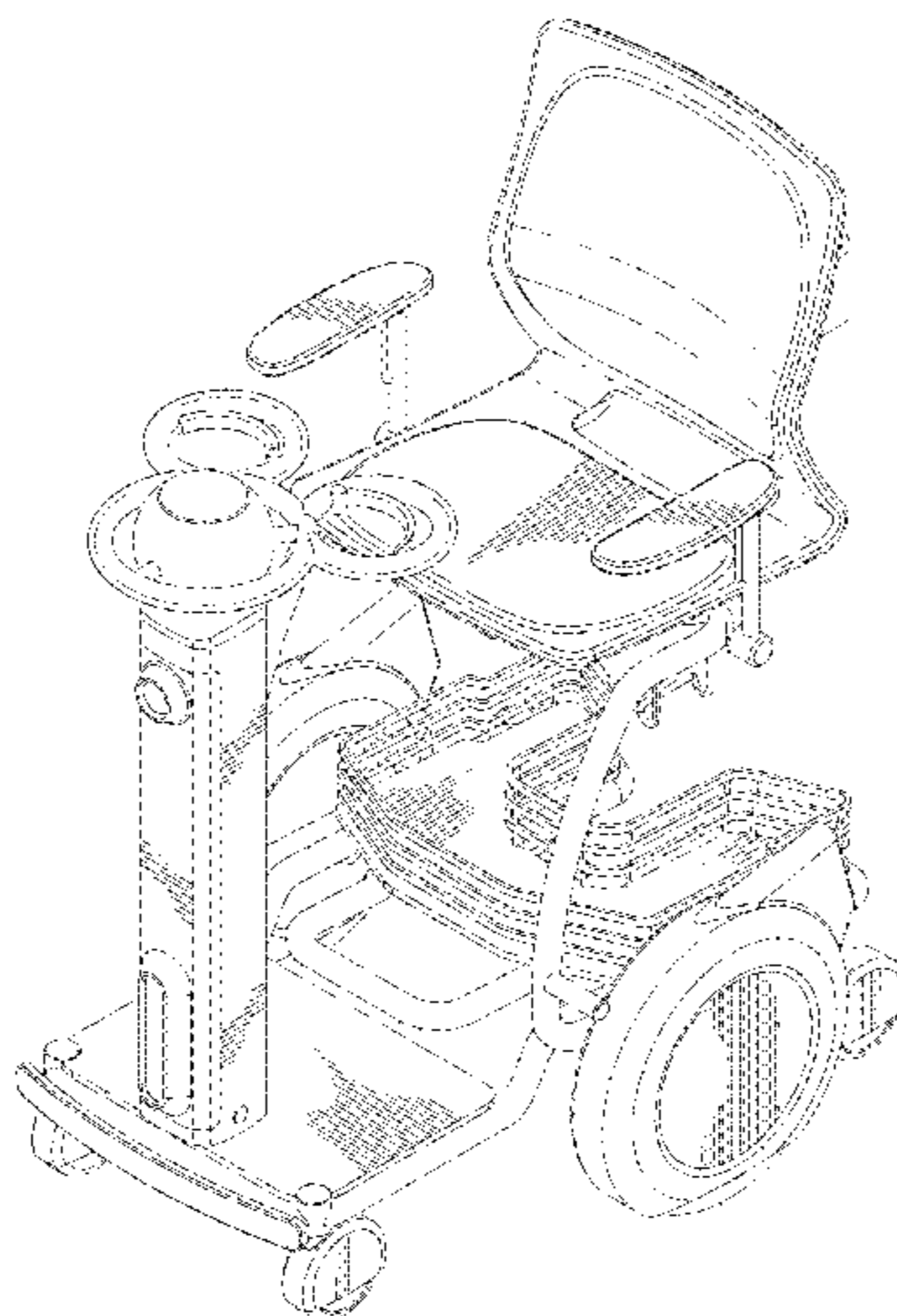
(57) **CLAIM**

The ornamental design for an electric convenience vehicle, as shown and described.

**DESCRIPTION**

FIG. 1 is a front perspective view of an electric convenience vehicle in accordance with a first embodiment of our design; FIG. 2 is a rear perspective view thereof; FIG. 3 is a side elevation view thereof; FIG. 4 is another side elevation view thereof; FIG. 5 is a front elevation view thereof; FIG. 6 is a rear elevation view thereof; FIG. 7 is a Top plan view thereof; and, FIG. 8 is a Bottom plan view thereof.

**1 Claim, 8 Drawing Sheets**



(56)

References Cited

U.S. PATENT DOCUMENTS

6,986,522 B2 1/2006 Sinclair et al.  
 D522,076 S 5/2006 Casey  
 D526,938 S \* 8/2006 Nagel ..... D12/128  
 D530,650 S \* 10/2006 Azuma ..... D12/131  
 D544,462 S 6/2007 Patel  
 D546,277 S 7/2007 Andre et al.  
 D556,647 S \* 12/2007 Yamagishi ..... D12/131  
 D561,651 S \* 2/2008 Yamagishi ..... D12/131  
 D576,920 S \* 9/2008 Yang ..... D12/107  
 D578,935 S \* 10/2008 Yang ..... D12/107  
 D584,224 S 1/2009 Mori et al.  
 D586,265 S 2/2009 Lin et al.  
 D590,751 S \* 4/2009 Yang ..... D12/128  
 D608,255 S \* 1/2010 Arnell ..... D12/132  
 D641,667 S 7/2011 Ryan et al.  
 D650,724 S 12/2011 Chiang  
 D654,403 S 2/2012 Kyu  
 D654,852 S 2/2012 Hansen  
 D668,586 S 10/2012 Golias et al.  
 8,376,383 B1 2/2013 Lee  
 D680,062 S 4/2013 Lien  
 D689,019 S 9/2013 Sato et al.  
 D695,156 S 12/2013 Jessie et al.  
 D726,592 S 4/2015 Zhang  
 D735,812 S 8/2015 Delgatty  
 D735,813 S 8/2015 Delgatty  
 D743,887 S 11/2015 Dasbach  
 D746,924 S 1/2016 Delgatty  
 9,227,687 B2 1/2016 Delgatty et al.  
 D750,711 S 3/2016 Delgatty  
 9,283,848 B2 3/2016 Parienti  
 D767,469 S 9/2016 Liu  
 9,440,699 B1 9/2016 Wittorf et al.  
 D774,979 S 12/2016 Delgatty et al.  
 D786,740 S \* 5/2017 Abe ..... D12/128  
 D788,698 S 6/2017 Lin  
 9,694,868 B2 7/2017 Delgatty et al.  
 D820,201 S 6/2018 Delgatty et al.  
 D827,035 S 8/2018 Delgatty et al.  
 2003/0051934 A1 3/2003 Ou et al.  
 2004/0026147 A1 2/2004 Kao et al.  
 2005/0035570 A1 2/2005 Chu  
 2006/0244418 A1 11/2006 Liao et al.  
 2007/0258758 A1 11/2007 Ho  
 2008/0061528 A1 3/2008 Musabi et al.  
 2008/0217085 A1 9/2008 Wernli et al.  
 2008/0224441 A1 9/2008 Lu  
 2009/0240858 A1 9/2009 Takebayashi et al.  
 2009/0289434 A1 11/2009 Lin  
 2010/0006721 A1 1/2010 Lien  
 2010/0224662 A1 9/2010 Crum et al.  
 2010/0295264 A1 11/2010 Denais  
 2011/0193313 A1 8/2011 Yun  
 2012/0043148 A1 2/2012 Brady et al.  
 2012/0152993 A1 6/2012 Chen  
 2012/0273287 A1 11/2012 Song et al.  
 2014/0225348 A1 8/2014 Wu  
 2015/0068828 A1 3/2015 Delgatty et al.  
 2015/0321722 A1 11/2015 Dadoosh et al.  
 2016/0083039 A1 3/2016 Delgatty et al.  
 2016/0347397 A1 12/2016 Etzelsberger et al.

FOREIGN PATENT DOCUMENTS

CN 2095153 U 2/1992  
 CN 2120052 U 10/1992  
 CN 2125542 U 12/1992  
 CN 2145148 Y 11/1993  
 CN 1086775 A 5/1994  
 CN 2178674 Y 10/1994  
 CN 2194325 Y 4/1995  
 CN 2214343 Y 12/1995  
 CN 2217560 Y 1/1996  
 CN 2270004 Y 12/1997  
 CN 2280042 Y 4/1998

CN 2350284 Y 11/1999  
 CN 2444866 Y 8/2001  
 CN 2446039 Y 9/2001  
 CN 3232356 4/2002  
 CN 2598831 Y 1/2004  
 CN 2609827 Y 4/2004  
 CN 3346886 4/2004  
 CN 2623589 Y 7/2004  
 CN 3377320 7/2004  
 CN 2644281 Y 9/2004  
 CN 2711022 Y 7/2005  
 CN 2721500 Y 8/2005  
 CN 2758196 Y 2/2006  
 CN 200992276 Y 12/2007  
 CN 300832206 9/2008  
 CN 201442629 U 4/2010  
 CN 101708758 A 5/2010  
 CN 201447025 U 5/2010  
 CN 201647016 U 11/2010  
 CN 201849580 U 6/2011  
 CN 201849584 U 6/2011  
 CN 202624536 U 12/2012  
 CN 302232853 S 12/2012  
 CN 202703785 U 1/2013  
 CN 103171719 A 6/2013  
 CN 302709415 S 1/2014  
 CN 302729747 S 2/2014  
 CN 303101631 S 2/2015  
 CN 105722752 A 6/2016  
 CN 304380162 S 12/2017  
 CN 304466558 S 1/2018  
 DE 19516763 A1 11/1996  
 EP 3063056 A1 9/2016  
 FR 1249891 A 1/1961  
 JP 04358984 A 12/1992  
 JP 07052857 A 2/1995  
 JP 1155291 10/2002  
 KR 30358808 8/2004  
 WO 9801334 A1 1/1998  
 WO 2011098887 A1 8/2011  
 WO 2015038674 A1 3/2015  
 WO 2016196510 12/2016

OTHER PUBLICATIONS

Extended European Search Report for European Application No. 14843829.4, Search completed Mar. 9, 2017, dated Mar. 16, 2017, 10 Pgs.  
 International Preliminary Report on Patentability for International Application PCT/US2014/055033, Report issued Mar. 15, 2016, dated Mar. 24, 2016, 5Pgs.  
 International Search Report and Written Opinion for International Application No. PCT/US2016/035093, Search completed Jul. 26, 2016, dated Aug. 25, 2016, 8 Pgs.  
 International Search Report and Written Opinion for International Application PCT/US2014/055033, Report Completed Nov. 16, 2014, dated Dec. 19, 2014.  
 "Ily-A", Ars Electronica 2015, Sep. 7, 2015, Retrieved from the Internet URL:<http://www.aec.at/postcity/en/ily-a/> on Jul. 8, 2016.  
 Crook, "Urb-E, The Fold-Up Electric Scooter, Goes Live On Indiegogo", Feb. 10, 2014, URL: <https://techcrunch.com/2014/02/10/urb-e-the-fold-up-electric-scooter-goes-live-on-indiegogo/> on Apr. 30, 2017.  
 Mok, Kimberley, "Halfbike: Upright simplified bike combines biking with jogging (Video)", Tree Hugger, Mar. 21, 2014 Retrieved from the Internet URL: <http://www.treehugger.com/bikes/halfbike-kolelinia-upright-simplified-bike-combines-biking-with-jogging.html> on Jul. 8, 2016.  
 Prigg, "Is this the future of commuting? Worlds smallest e-vehicle revealed—and it is controlled by an app", Daily Mail, Feb. 25, 2014, Retrieved from the Internet URL: <http://www.dailymail.co.uk/sciencetech/article-2567972/Is-future-commuting-Worlds-smallest-e-vehicle-revealed-controlled-app.html> on Jul. 8, 2016.

(56)

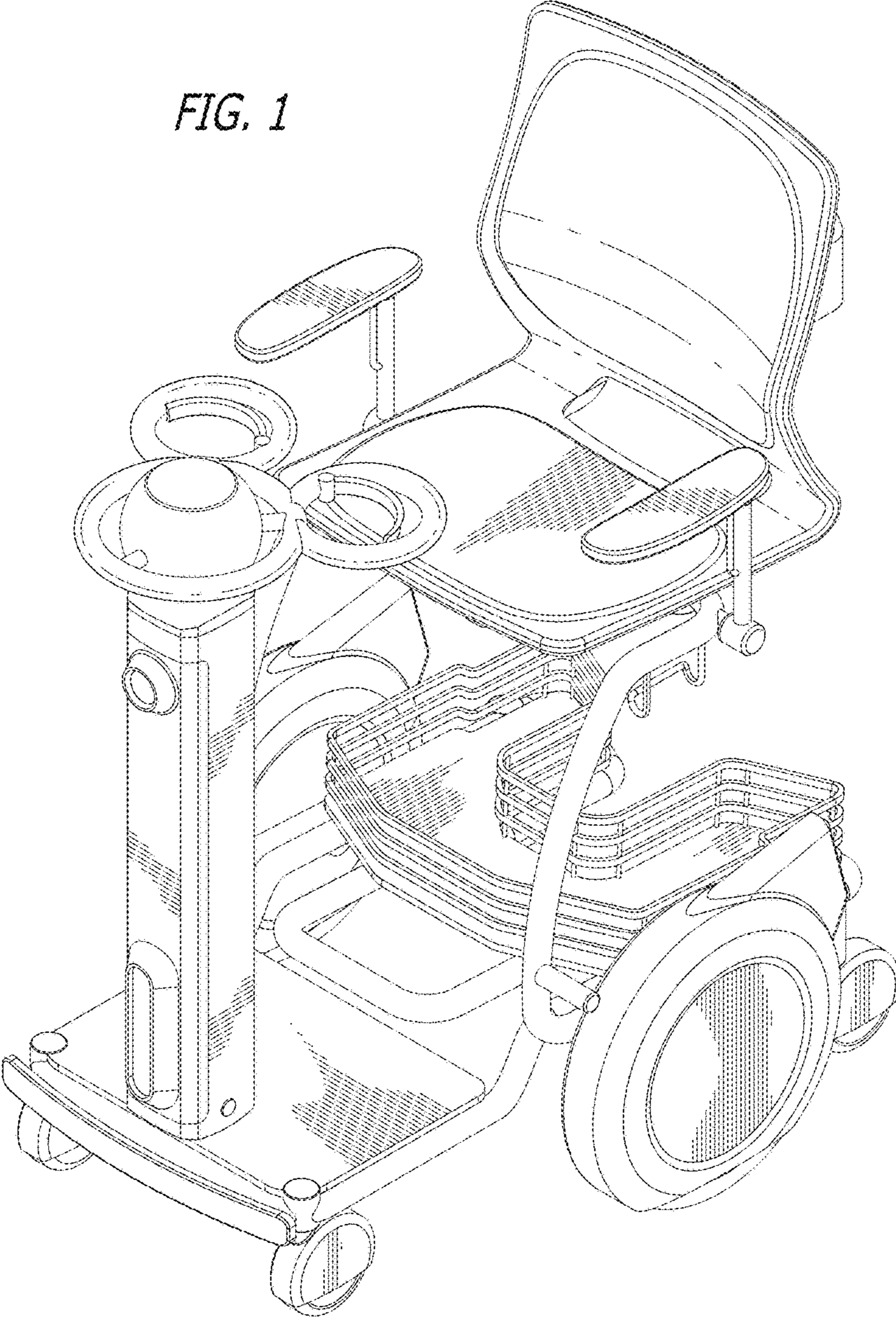
**References Cited**

OTHER PUBLICATIONS

Seth, Radhika, "Get A Jiffy Ride", YD—Yanko Design, Feb. 9, 2010, Retrieved from the Internet URL: <http://www.yankodesign.com/2010/02/09/get-a-jiffy-ride/> on Jul. 8, 2016.

\* cited by examiner

FIG. 1



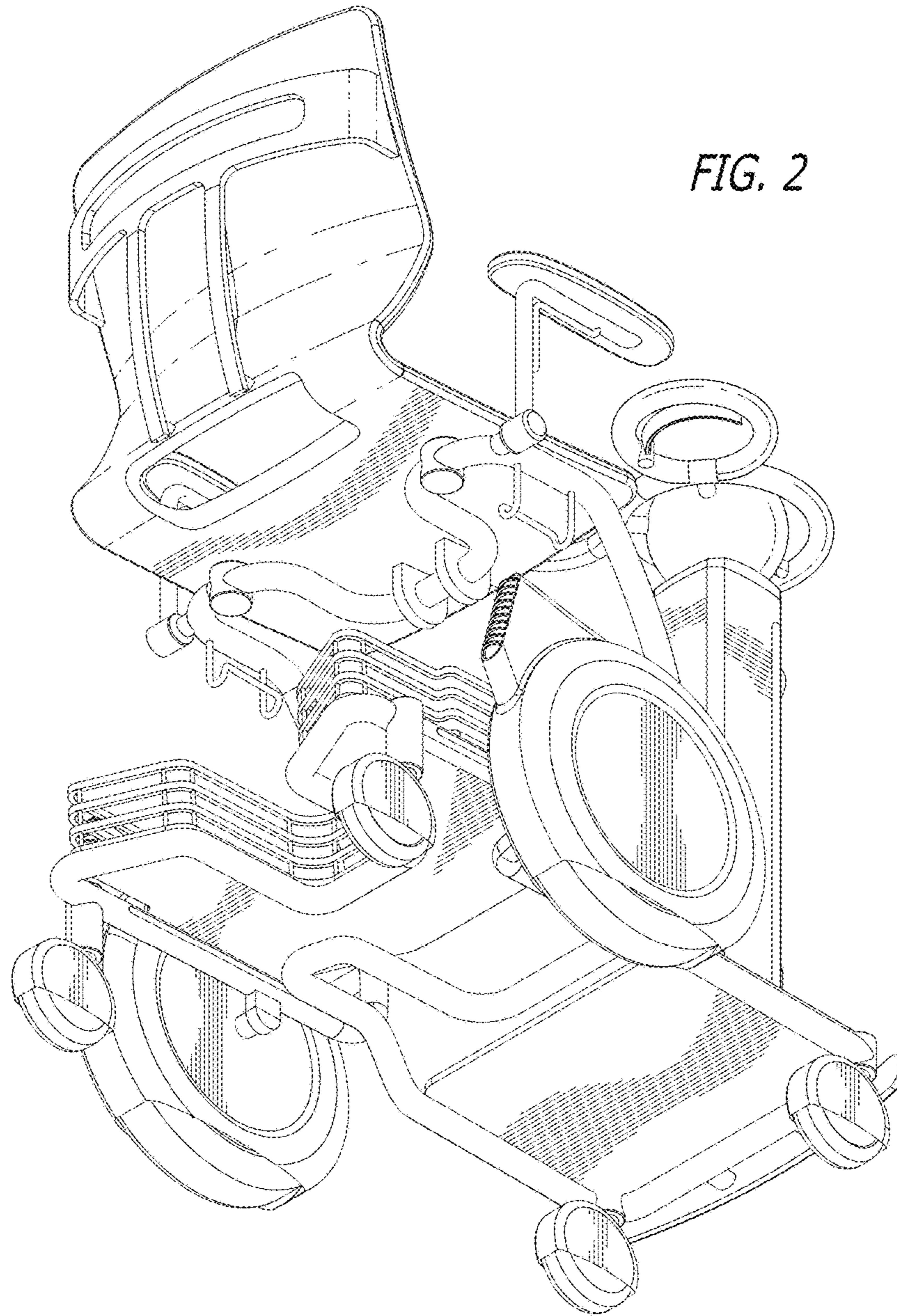


FIG. 2

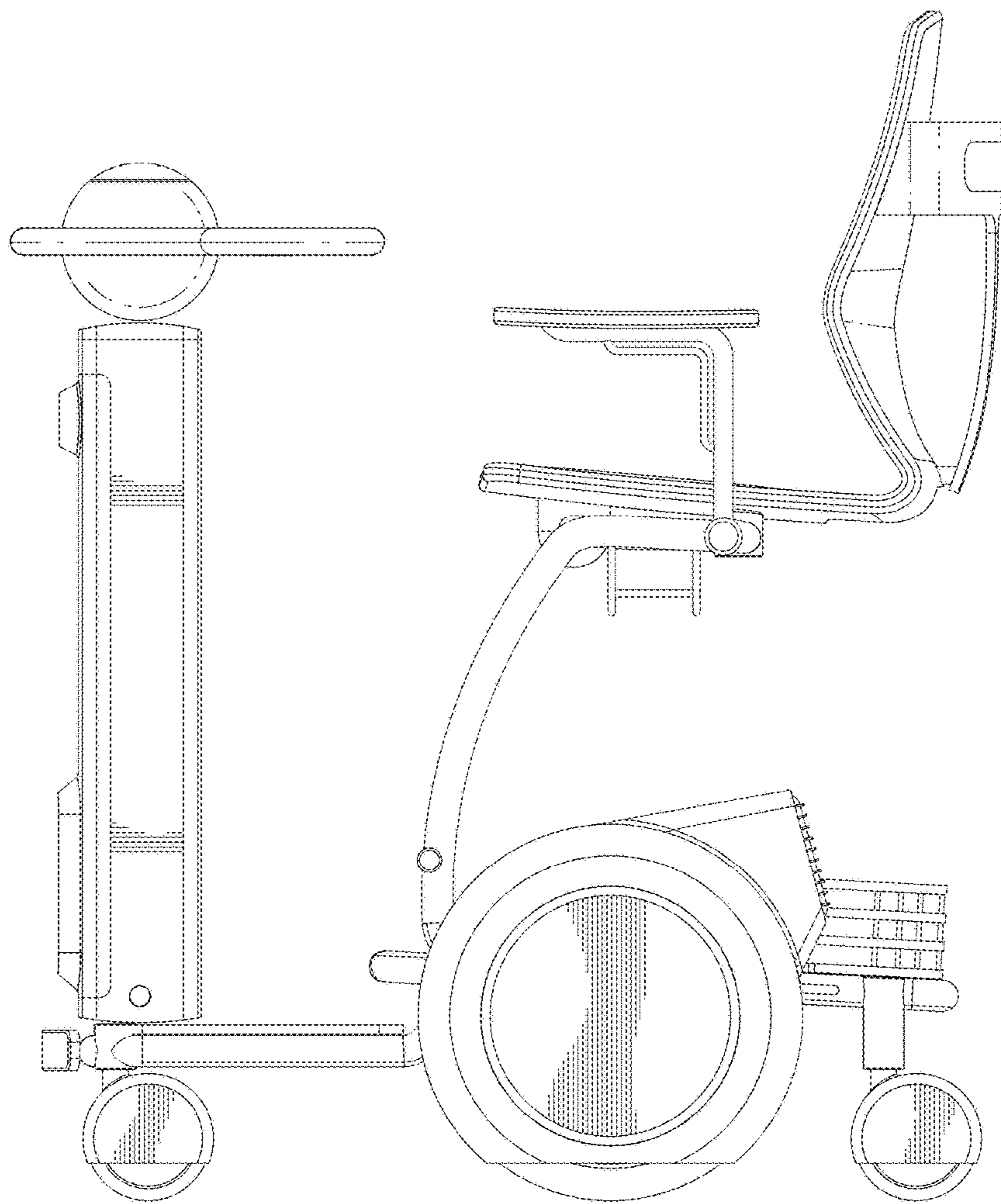


FIG. 3

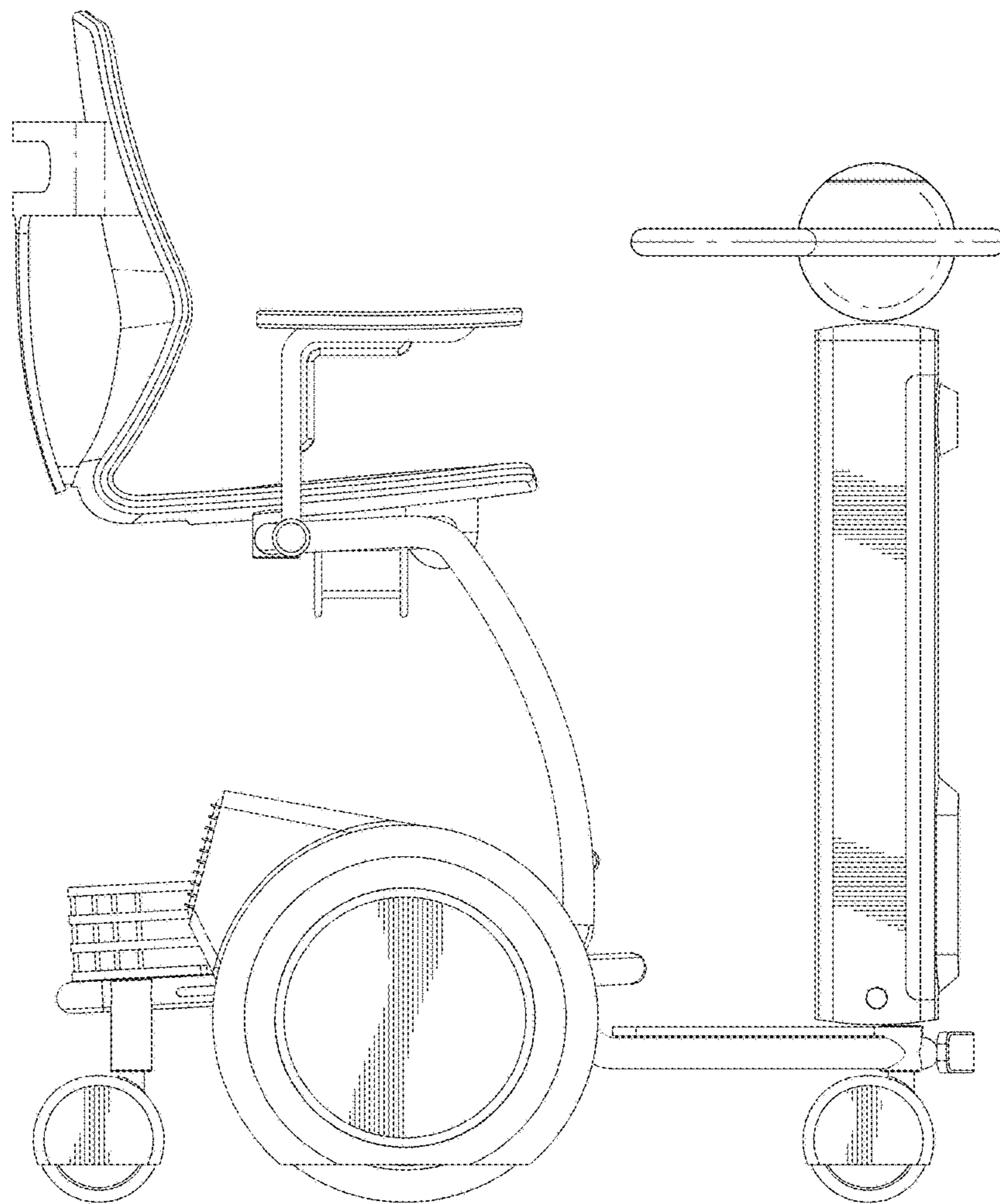


FIG. 4

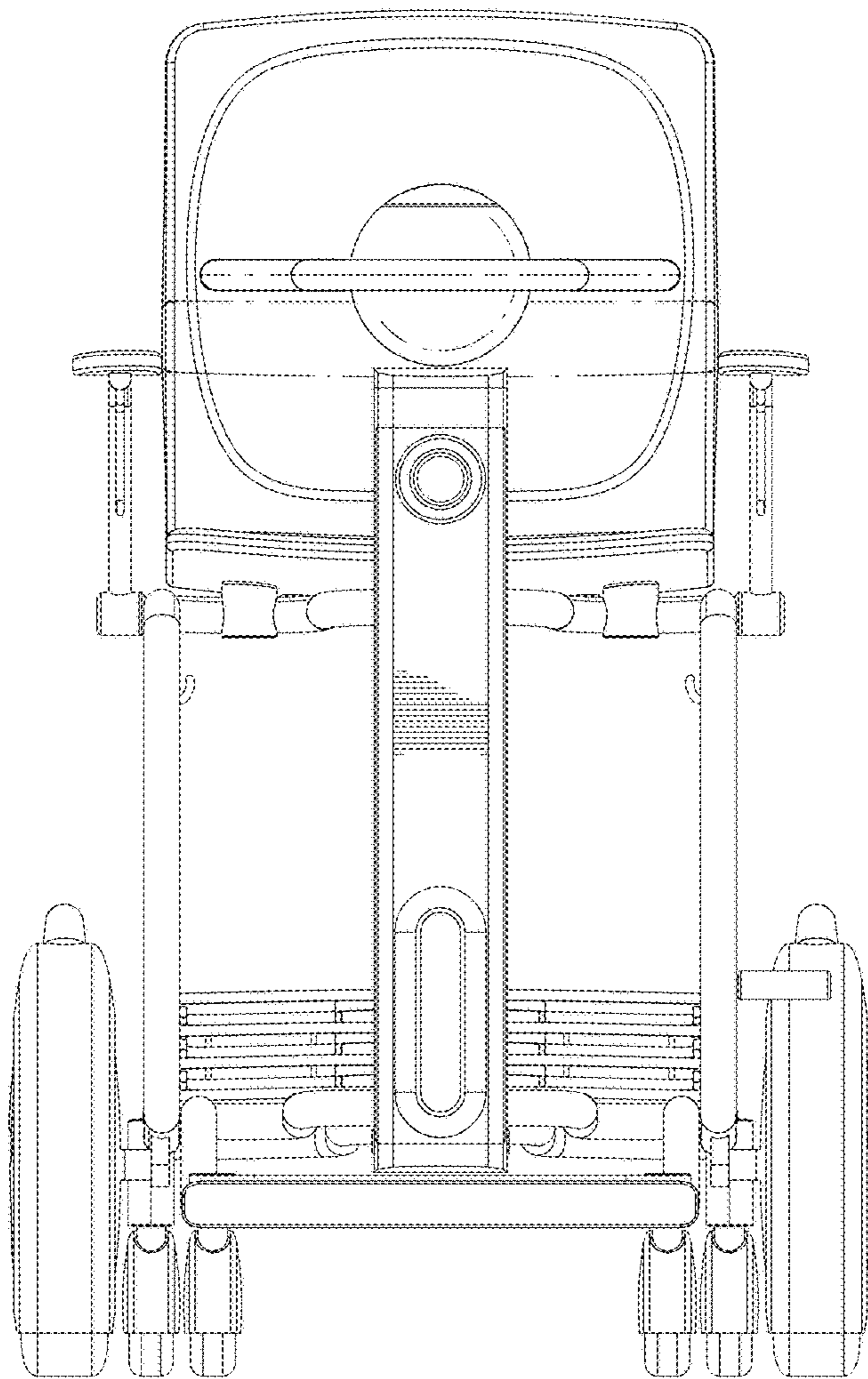


FIG. 5



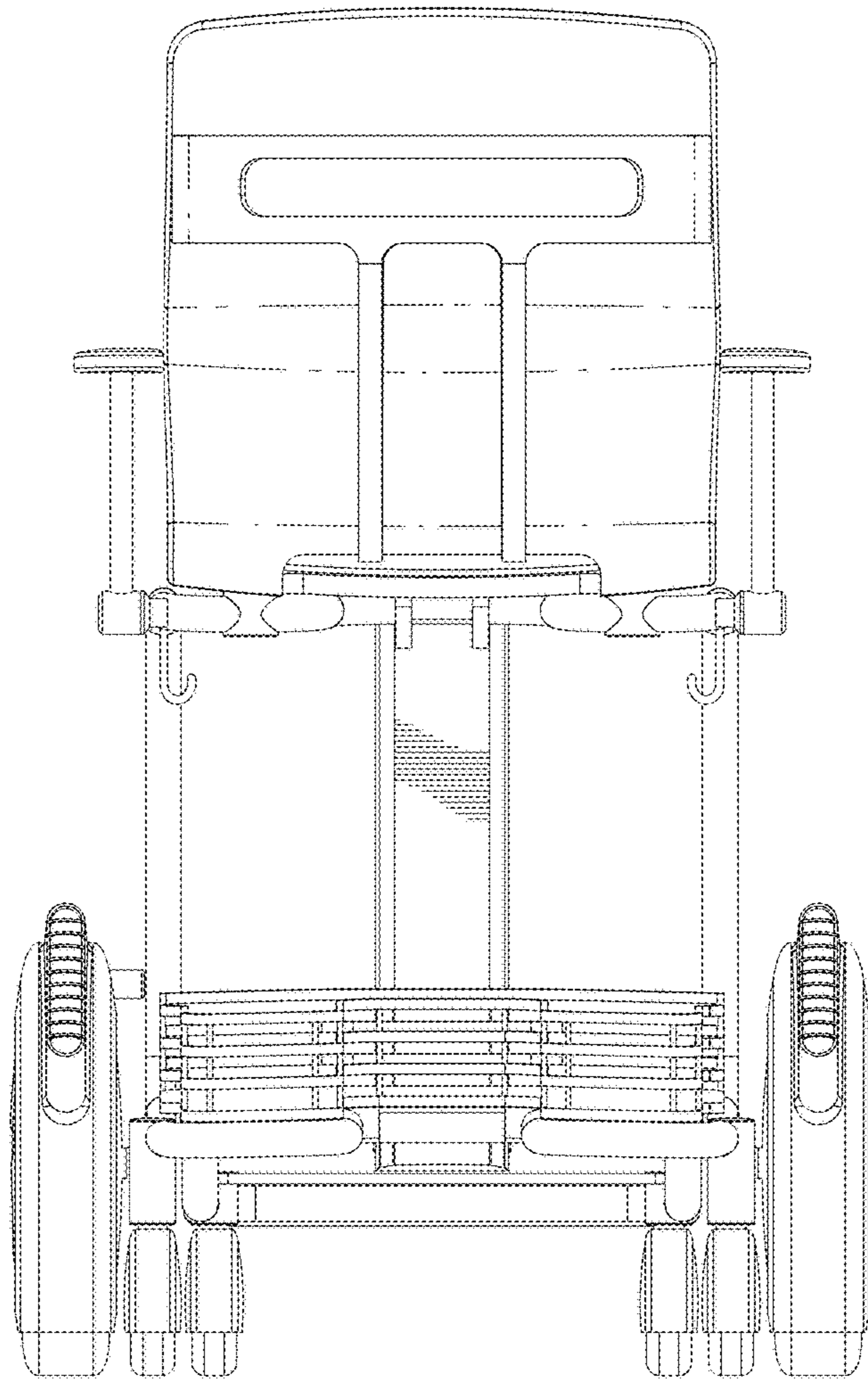


FIG. 6

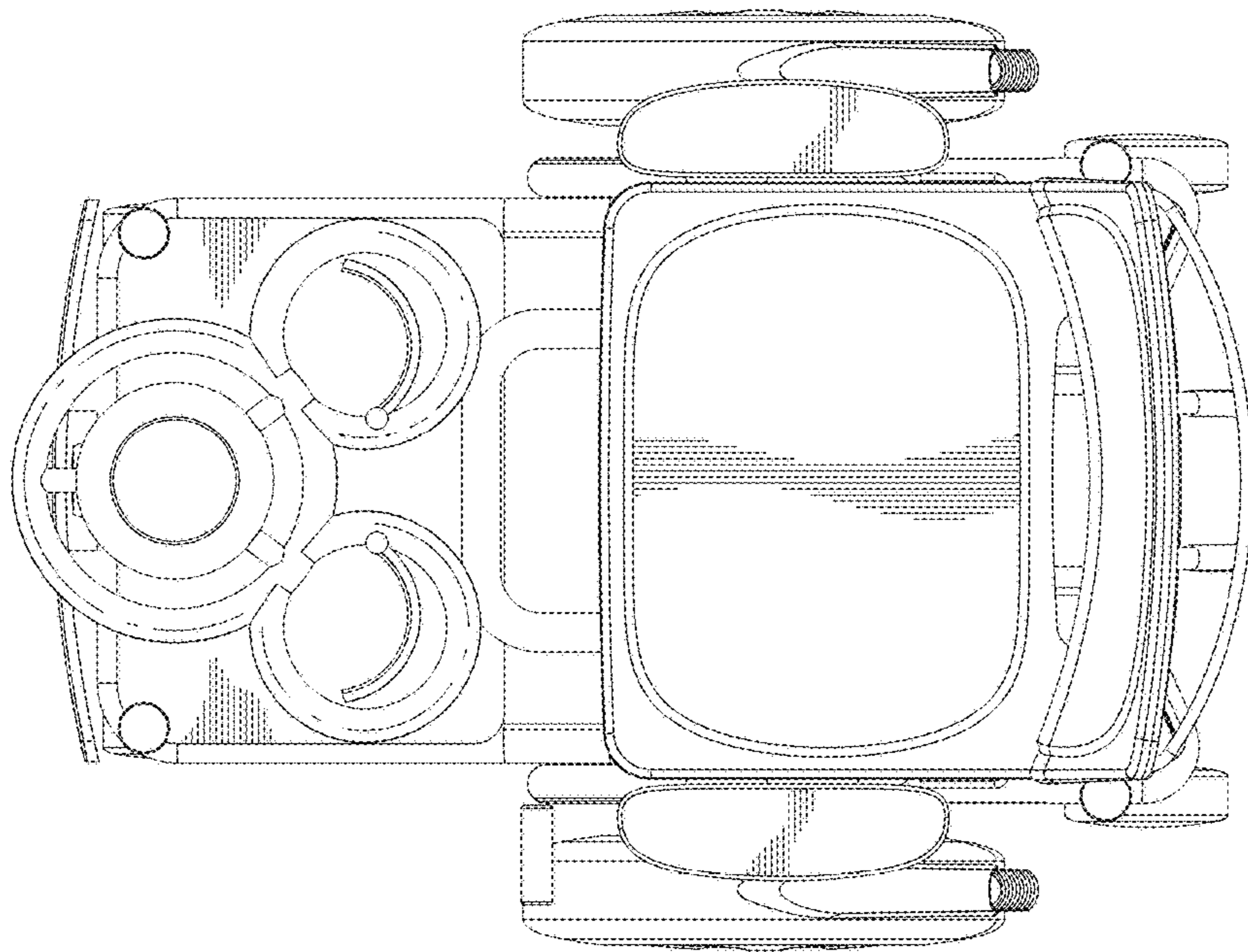


FIG. 7

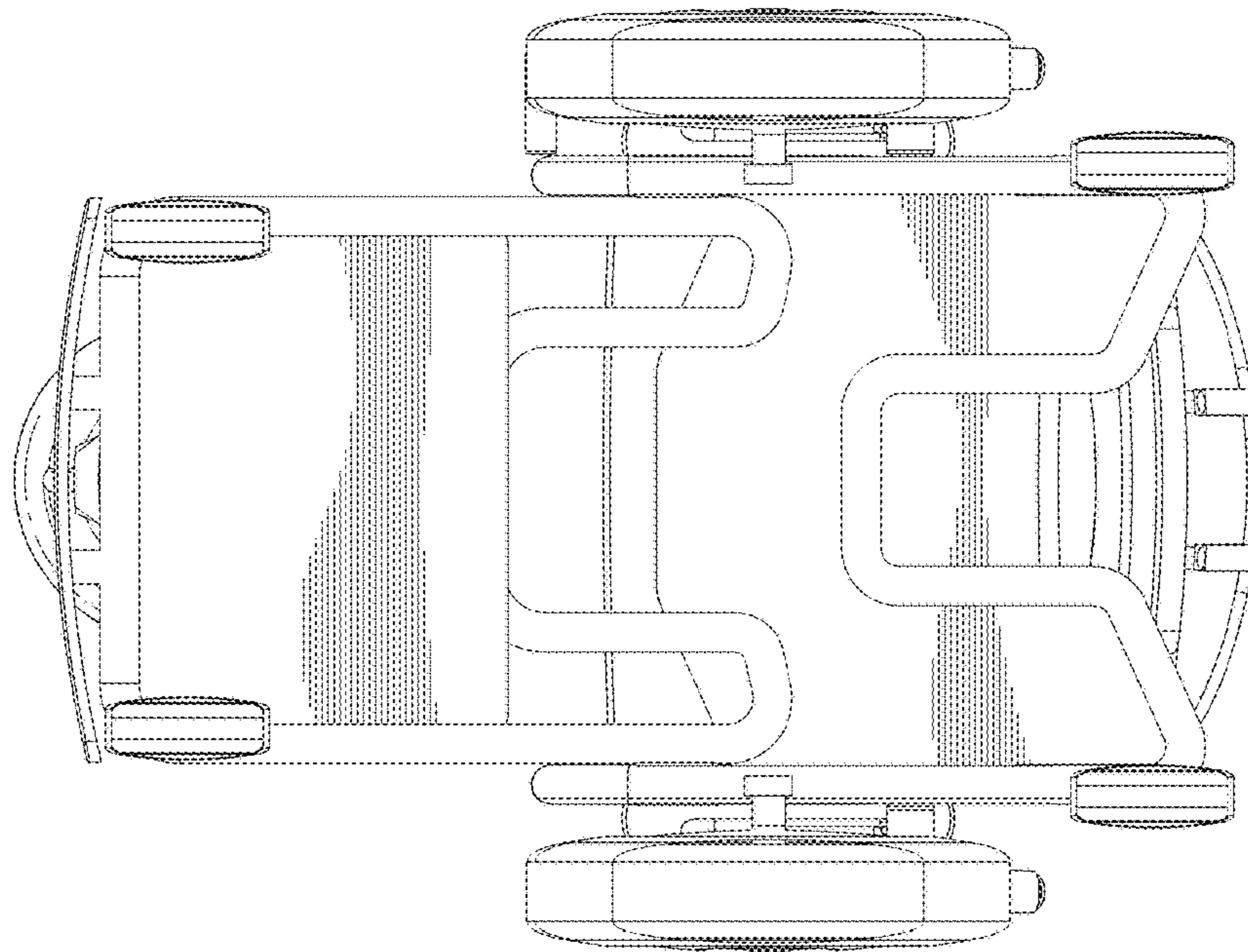


FIG. 8