



US00D842168S

(12) **United States Design Patent**
Garklavs

(10) **Patent No.:** **US D842,168 S**
(45) **Date of Patent:** **** *Mar. 5, 2019**

- (54) **BALANCE BIKE**
- (71) Applicant: **LEGGO BIKES LLC**, Elkhart, IN
(US)
- (72) Inventor: **Egons Garklavs**, Ieriki (LV)
- (*) Notice: This patent is subject to a terminal disclaimer.
- (**) Term: **15 Years**
- (21) Appl. No.: **35/500,298**
- (22) Filed: **Jul. 30, 2015**
- (80) **Hague Agreement Data**
Int. Filing Date: **Jul. 30, 2015**
Int. Reg. No.: **DM/088177**
Int. Reg. Date: **Jul. 30, 2015**
Int. Reg. Pub. Date: **Nov. 27, 2015**
- (51) **LOC (11) Cl.** **12-11**
- (52) **U.S. Cl.**
USPC **D12/111**
- (58) **Field of Classification Search**
USPC D12/111, 117, 406, 407; 280/274-280,
280/281.1, 283-288, 288.1-288.4
CPC . B62K 3/00; B62K 3/005; B62K 9/00; B62K
19/00; B62K 19/02; B62K 19/04; B62K
19/06; B62K 19/16
See application file for complete search history.

- (56) **References Cited**
U.S. PATENT DOCUMENTS
D229,079 S * 11/1973 Boyle D21/435
D257,374 S * 10/1980 Nottingham D21/435
D279,176 S * 6/1985 Kassai D12/112
5,039,121 A * 8/1991 Holter B62K 5/02
280/220
D346,412 S * 4/1994 Chou D21/424
D438,912 S * 3/2001 Barrera D21/423

- D452,284 S * 12/2001 McGinnis D21/423
- D461,145 S * 8/2002 Chiappetta D12/113
- D470,081 S * 2/2003 Wu D12/112
- D470,082 S * 2/2003 Wu D12/112
- D470,083 S * 2/2003 Wu D12/112
- D476,042 S * 6/2003 Hsieh D21/423
- D495,757 S * 9/2004 Juteau D21/423
- D496,609 S * 9/2004 Auberger D12/112
- D504,845 S * 5/2005 Coerschulte D12/111
- D512,664 S * 12/2005 Schreier D12/111
- D535,918 S * 1/2007 On D12/112
- D537,758 S * 3/2007 Grepper D12/111
- D547,388 S * 7/2007 Thomas D21/423
- D557,751 S * 12/2007 On D21/423
- D558,647 S * 1/2008 Seckel D12/111
- D566,199 S * 4/2008 Wiebenga D21/419
- D567,149 S * 4/2008 Grepper D12/111
- D597,147 S * 7/2009 Verlinden D21/424

(Continued)

Primary Examiner — Darlington Ly
(74) *Attorney, Agent, or Firm* — Brooks, Cameron & Huebsch, PLLC

(57) **CLAIM**

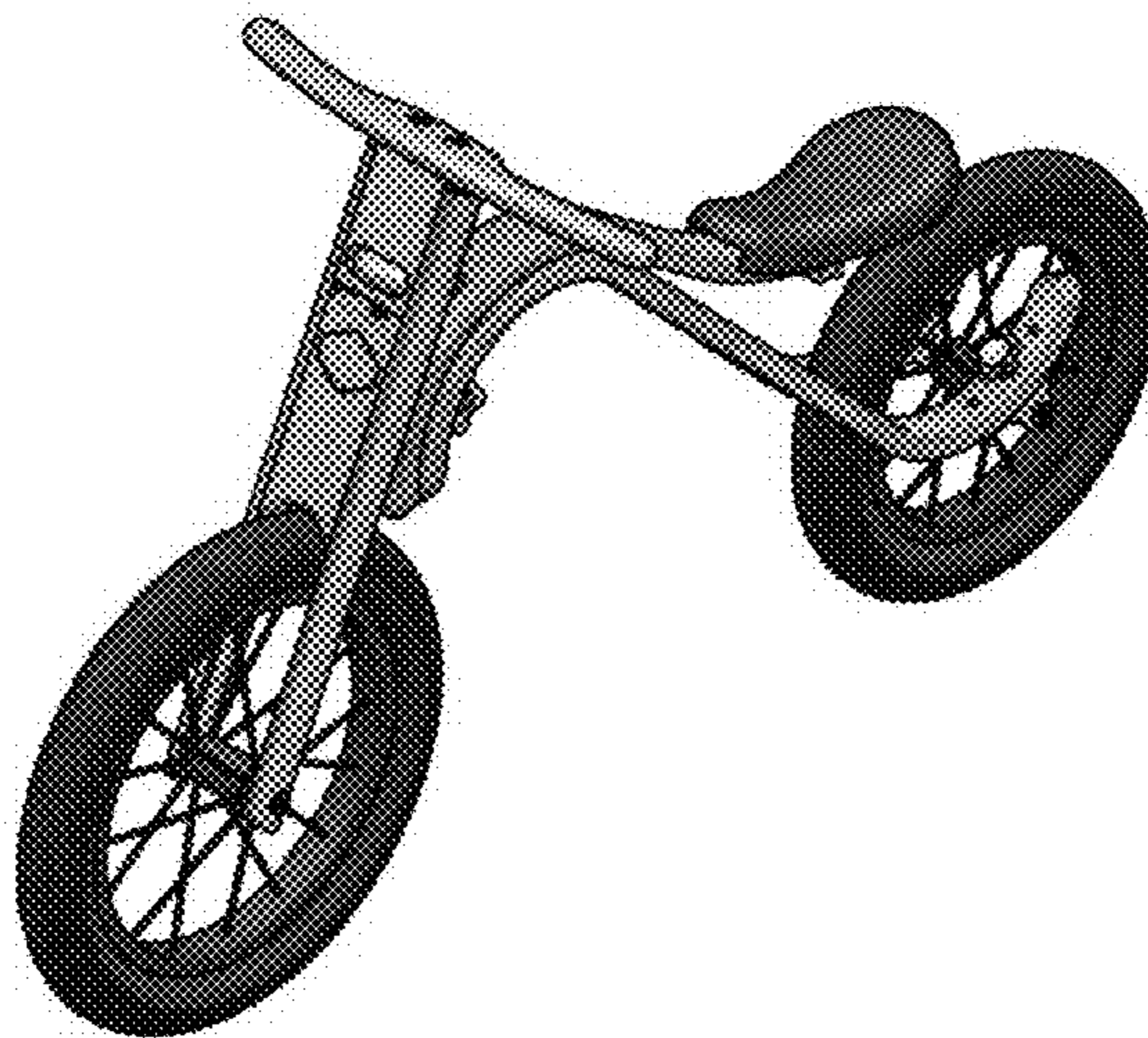
The ornamental design for a balance bike, as shown and described.

DESCRIPTION

The patent or application file contains at least one drawing executed in color. Copies of this patent or patent application publication with color drawing(s) will be provided by the Office upon request and payment of the necessary fee.

- 2. Balance bike
- 2.1 is a left side elevation view of a balance bike showing my new design;
- 2.2 is a top, front, and left side perspective view thereof;
- 2.3 is a right side elevation view thereof;
- 2.4 is a front elevation view thereof;
- 2.5 is a bottom plan view thereof;
- 2.6 is a rear elevation view thereof; and
- 2.7 is a top plan view thereof.

1 Claim, 7 Drawing Sheets
(7 of 7 Drawing Sheet(s) Filed in Color)



(56)

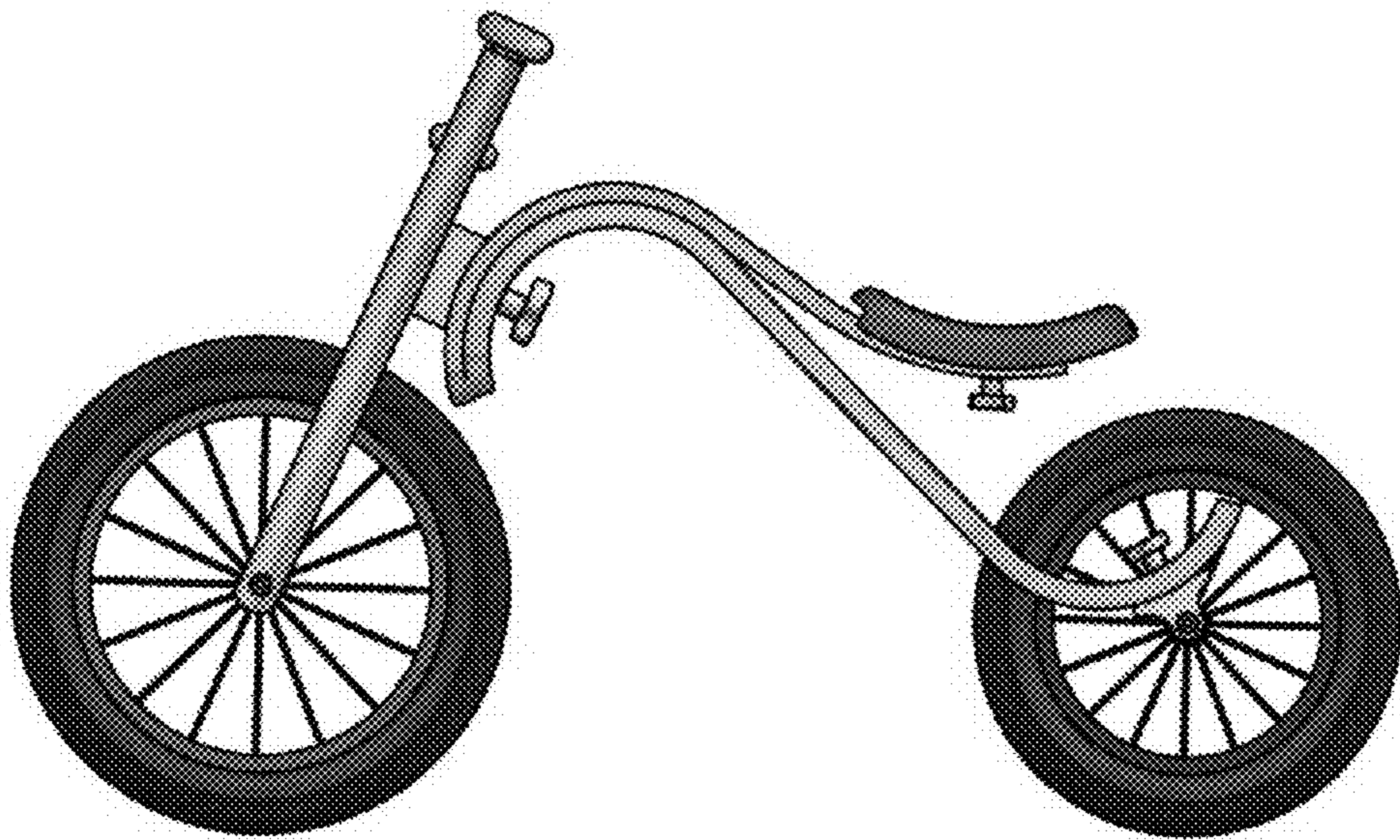
References Cited

U.S. PATENT DOCUMENTS

D622,639 S * 8/2010 Brockmeyer D12/113
D629,049 S * 12/2010 McFarland D12/111
D659,597 S * 5/2012 Chen D12/111
D668,586 S * 10/2012 Goliath D12/111
D671,173 S * 11/2012 Tompkin D12/111
D680,175 S * 4/2013 Nielsen D21/435
8,414,007 B2 * 4/2013 Chen B62K 9/00
280/278
D695,847 S * 12/2013 Liu D12/111
8,632,084 B2 * 1/2014 Lovley, II B62K 3/002
280/87.041
D728,033 S * 4/2015 O'connell D21/423
D735,620 S * 8/2015 Pape D12/111
D736,861 S * 8/2015 Eckert D21/423
D739,308 S * 9/2015 Barnaby Latham D12/111
D739,310 S * 9/2015 Barnaby Latham D12/112

* cited by examiner

2.1



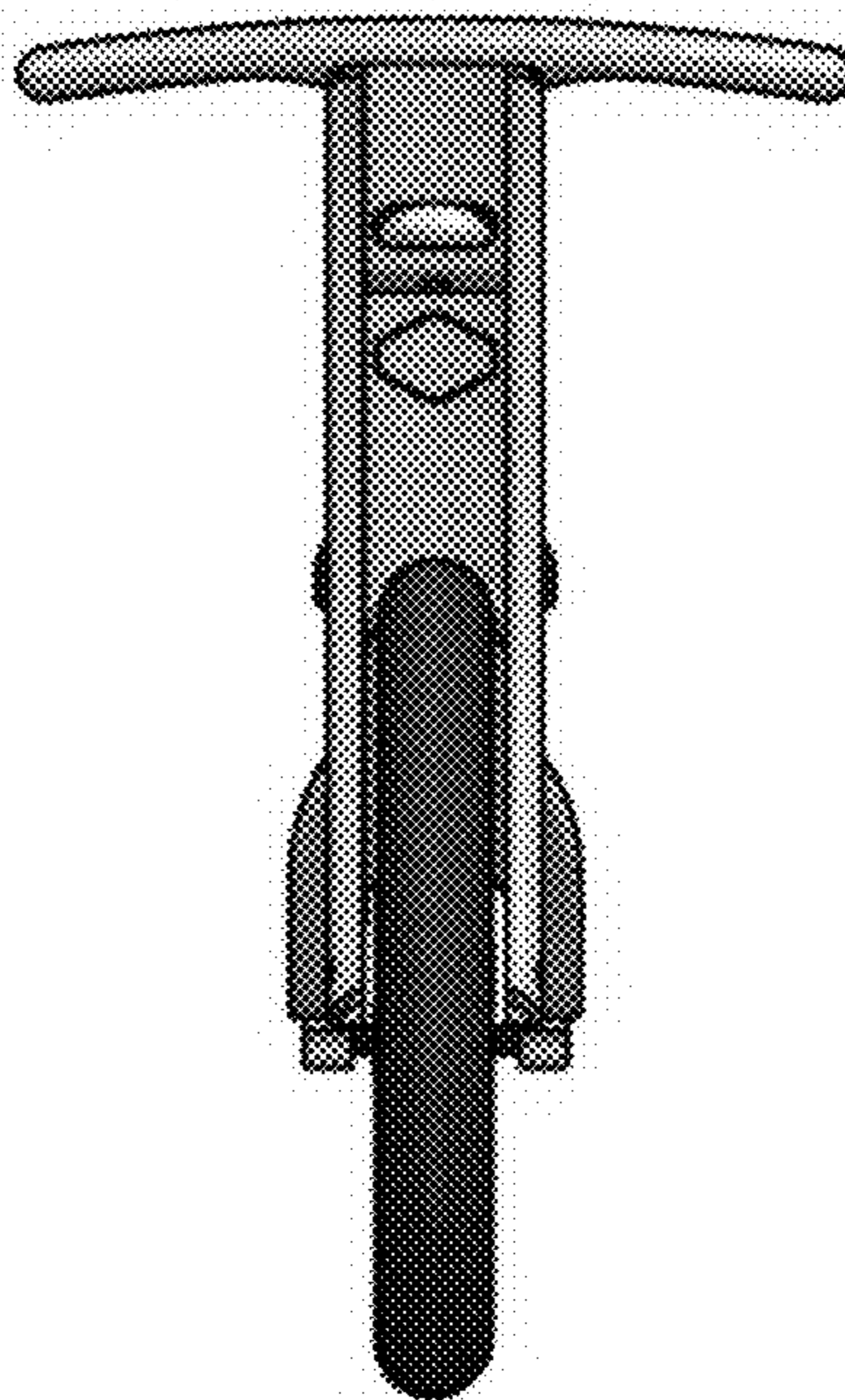
2.2

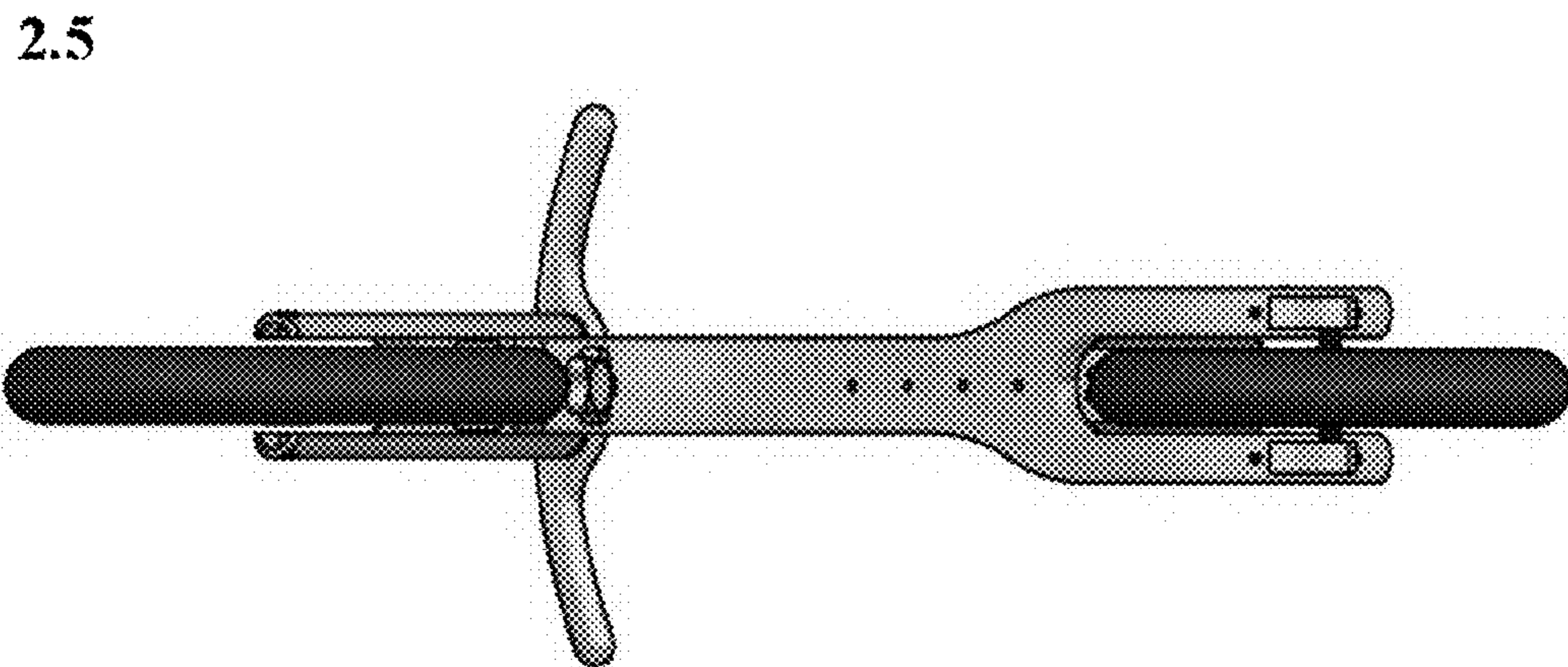


2.3

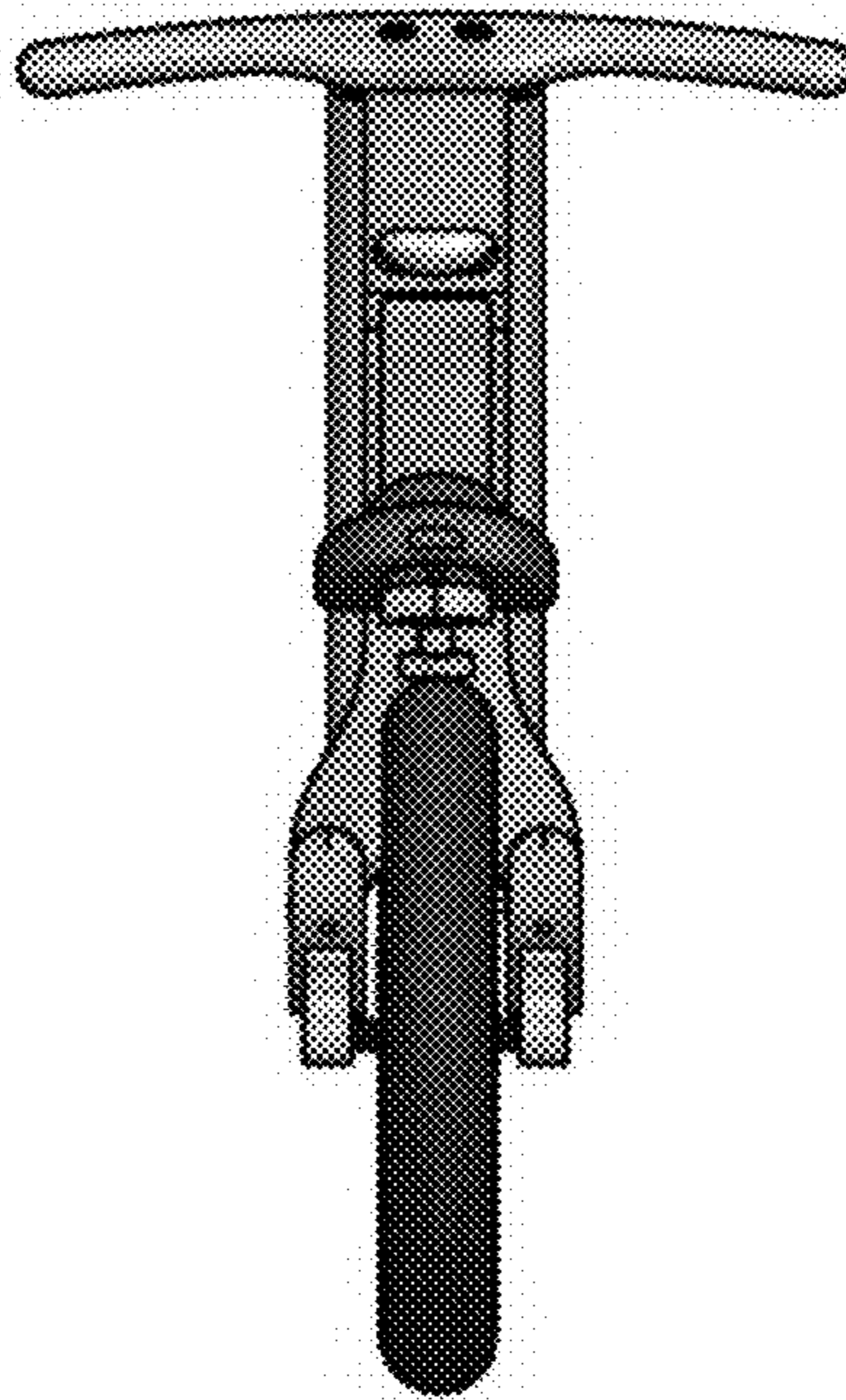


2.4





2.6



2.7

