



US00D842167S

(12) **United States Design Patent**  
**Ying et al.**

(10) **Patent No.:** **US D842,167 S**

(45) **Date of Patent:** **\*\* Mar. 5, 2019**

(54) **ELECTRONIC BALANCE VEHICLE**

(71) Applicant: **HANGZHOU CHIC INTELLIGENT TECHNOLOGY CO., LTD**, Hangzhou (CN)

(72) Inventors: **Jiawei Ying**, Hangzhou (CN); **Keping Xiao**, Hangzhou (CN)

(73) Assignee: **HANGZHOU CHIC INTELLIGENT TECHNOLOGY CO., LTD**, Hangzhou (CN)

(\*\*) Term: **15 Years**

(21) Appl. No.: **29/640,499**

(22) Filed: **Mar. 15, 2018**

(30) **Foreign Application Priority Data**

Oct. 24, 2017 (CN) ..... 2017 3 0508281

(51) **LOC (11) Cl.** ..... **12-13**

(52) **U.S. Cl.**  
USPC ..... **D12/1; D21/763**

(58) **Field of Classification Search**  
USPC ..... D12/1; D21/419, 421, 423, 760, 763, D21/765, 771  
CPC ..... B62K 3/007; B62K 11/00; B62K 17/00; B62K 2202/00; B62D 51/02; B62D 51/001; A63C 2203/011; A63C 17/12; A63C 17/01; A63C 2017/1463  
See application file for complete search history.

(56) **References Cited**

**U.S. PATENT DOCUMENTS**

D778,782 S \* 2/2017 Chen ..... D12/1  
D786,130 S \* 5/2017 Huang ..... D12/1

9,688,340 B1 \* 6/2017 Kroymann ..... B62K 13/04  
D796,613 S \* 9/2017 Schapiro ..... D21/760  
D805,429 S \* 12/2017 Cao ..... D12/1  
D808,856 S \* 1/2018 Zhang ..... D12/1  
D808,857 S \* 1/2018 Zhang ..... D12/1  
D808,859 S \* 1/2018 Wang ..... D12/1  
D810,618 S \* 2/2018 Li ..... D12/1  
D812,521 S \* 3/2018 Yao ..... D12/1  
D817,811 S \* 5/2018 Wang ..... D12/1  
2016/0332062 A1 \* 11/2016 Wu ..... A63C 17/12  
2017/0088211 A1 \* 3/2017 Jiang ..... B62K 11/007

\* cited by examiner

*Primary Examiner* — Garth Rademaker

*Assistant Examiner* — Melvin L Davis

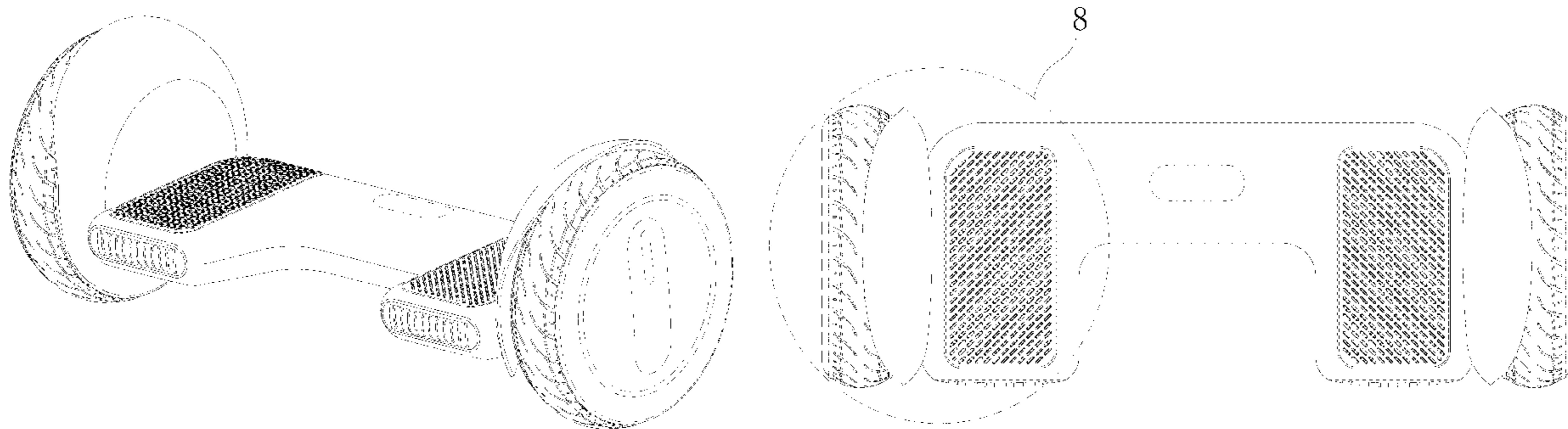
(57) **CLAIM**

The ornamental design for an electronic balance vehicle, as shown and described.

**DESCRIPTION**

FIG. 1 is a top, front, and right side perspective view of an electronic balance vehicle showing our new design;  
FIG. 2 is a top plan view thereof;  
FIG. 3 is a bottom plan view thereof;  
FIG. 4 is a right side elevational view thereof;  
FIG. 5 is a left side elevational view thereof;  
FIG. 6 is a rear elevational view thereof;  
FIG. 7 is a front elevational view thereof; and,  
FIG. 8 is an enlarged view of circled portion 8 in FIG. 2.  
In the drawings, the broken lines are included to show portions of the electronic balance vehicle that form no part of the claimed design.

**1 Claim, 8 Drawing Sheets**



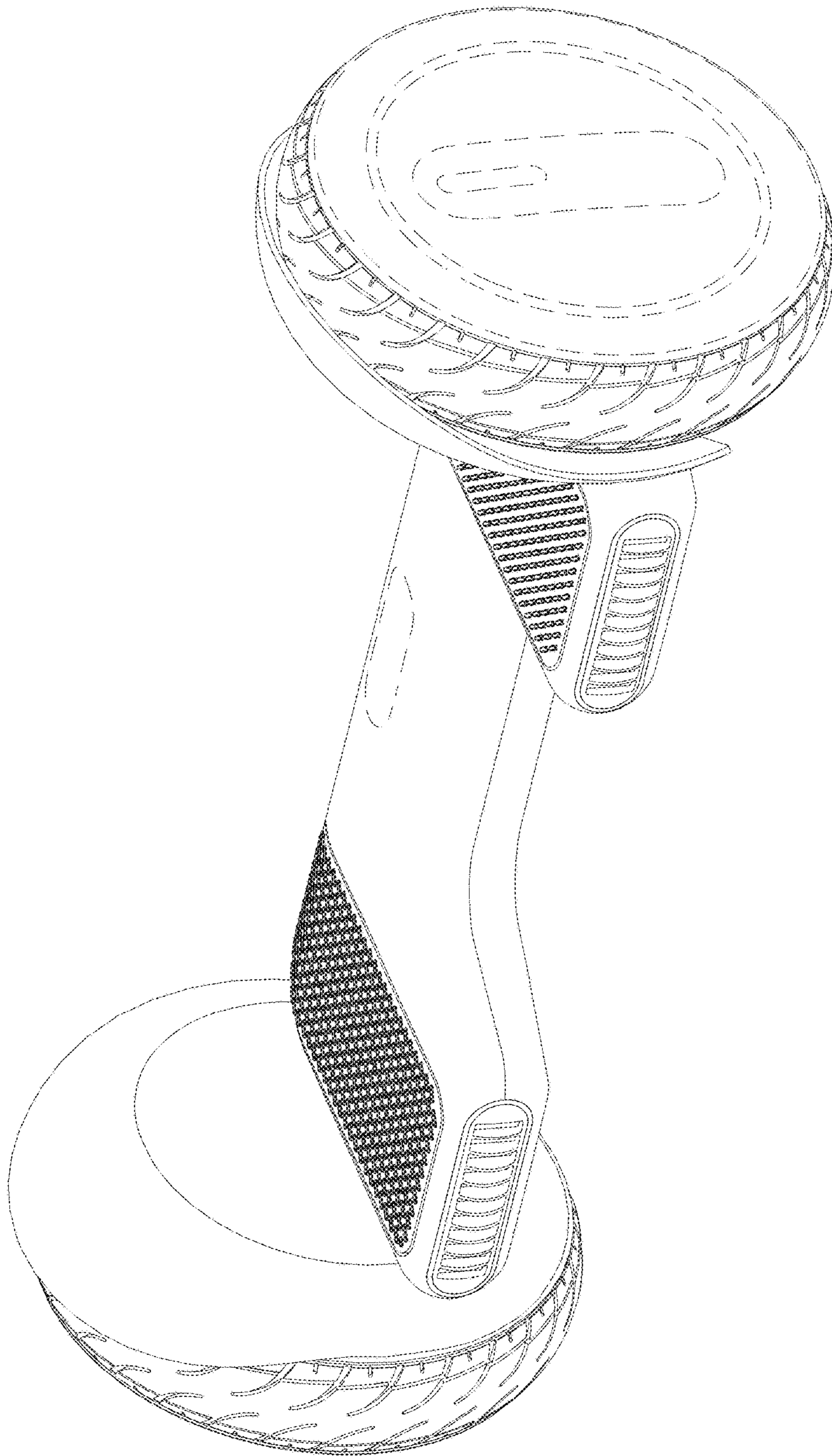


FIG. 1

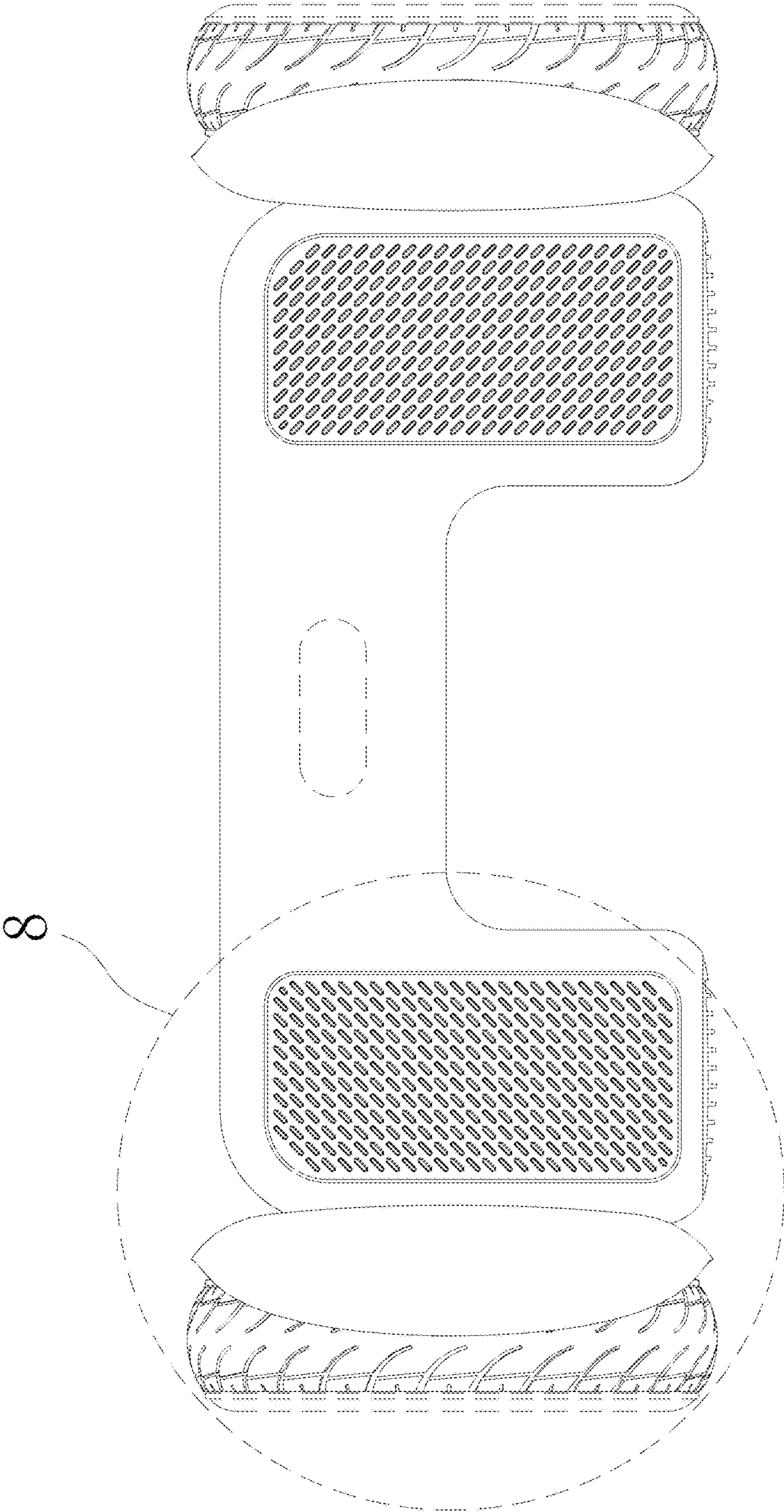


FIG. 2

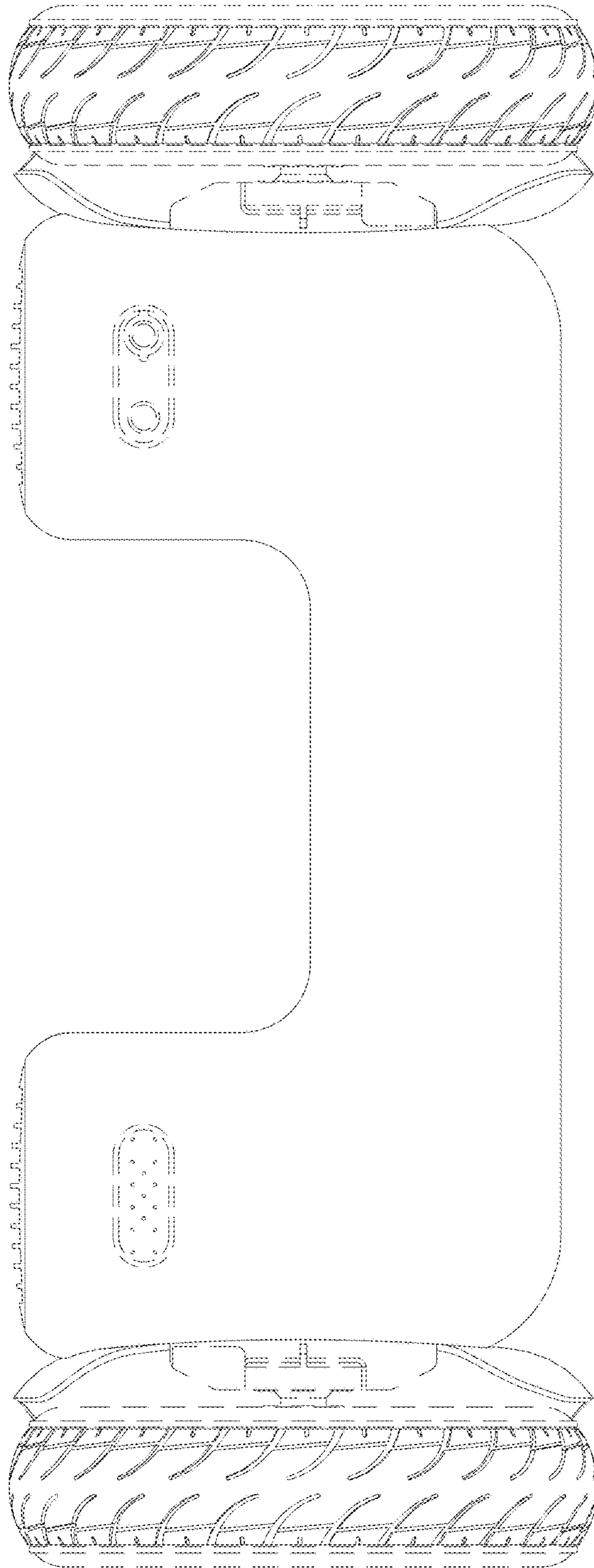


FIG. 3

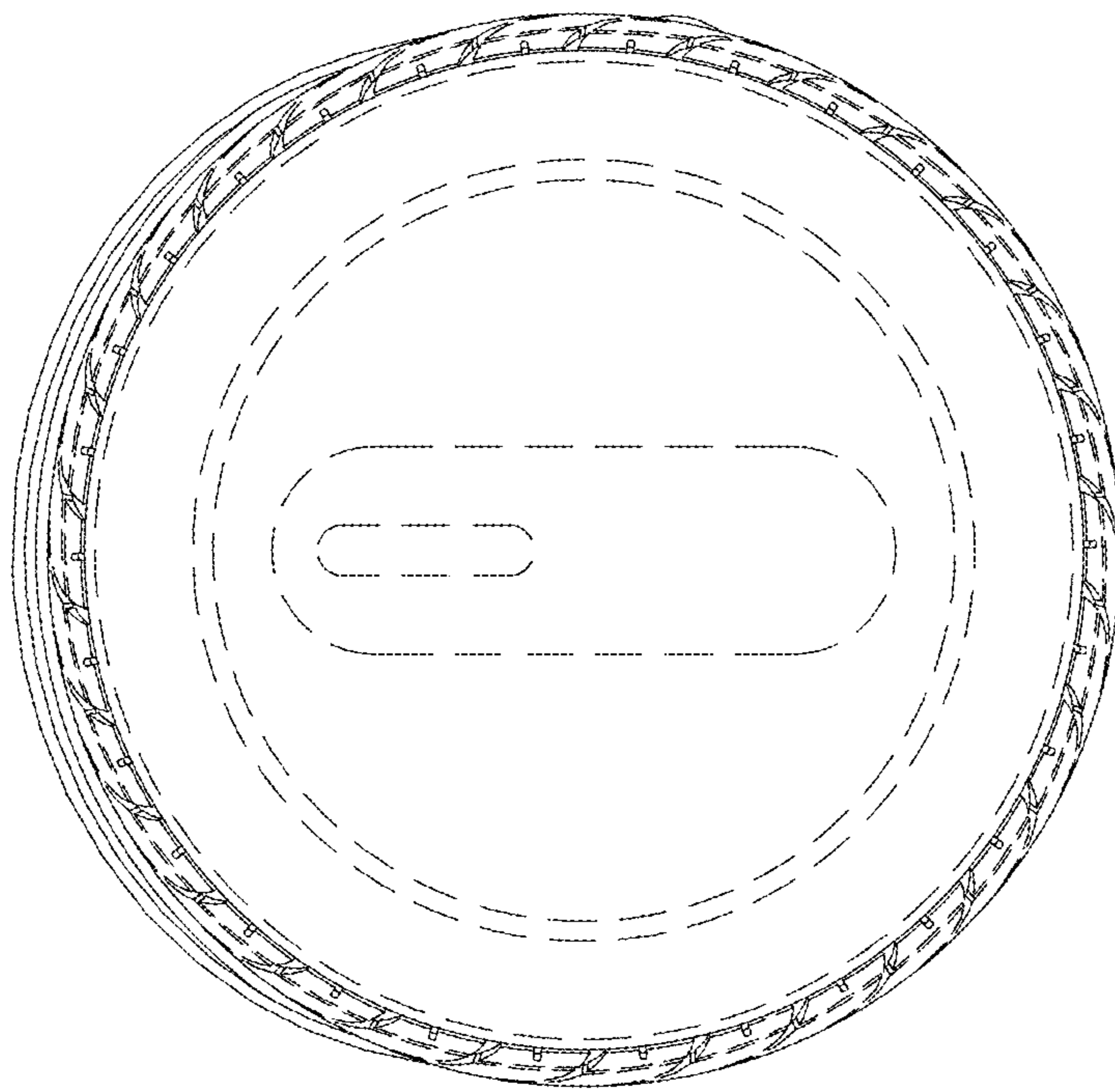


FIG. 4

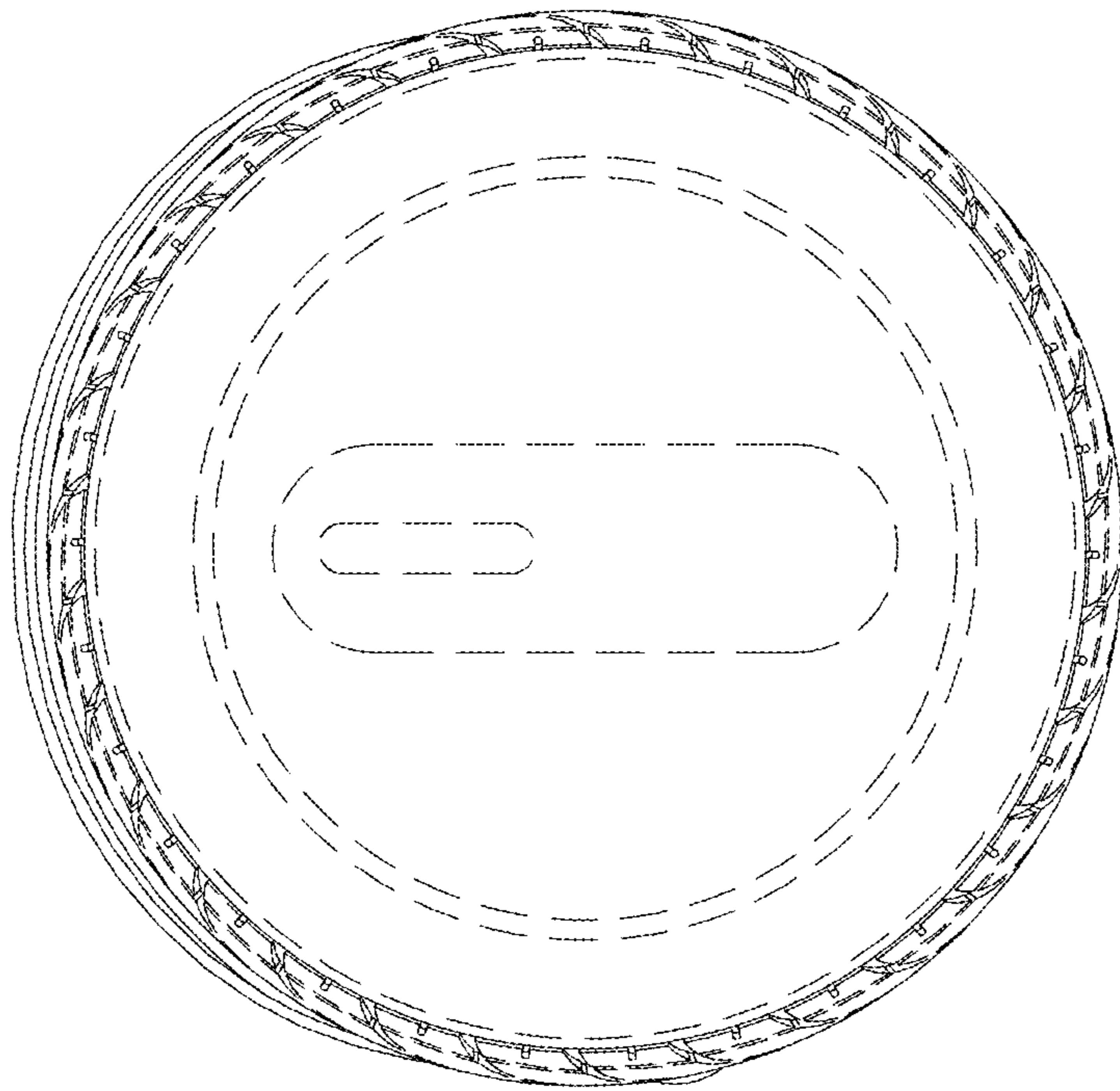


FIG. 5

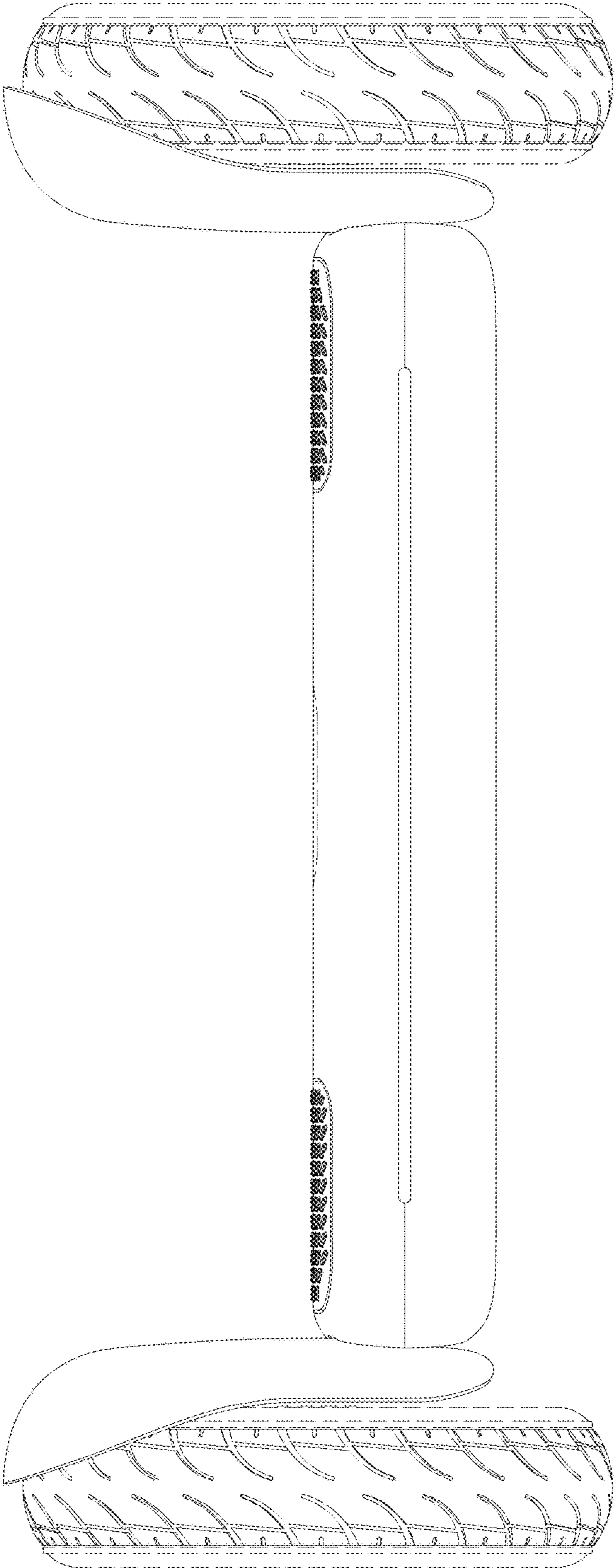


FIG. 6

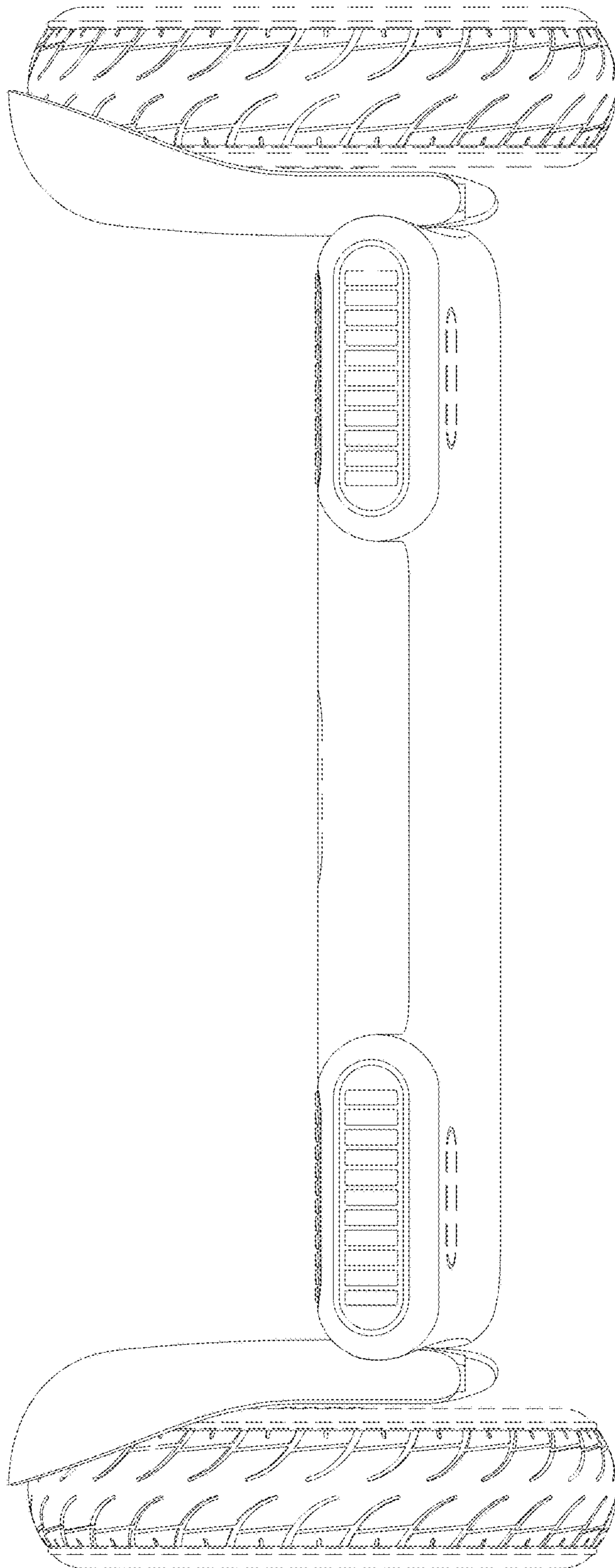


FIG. 7



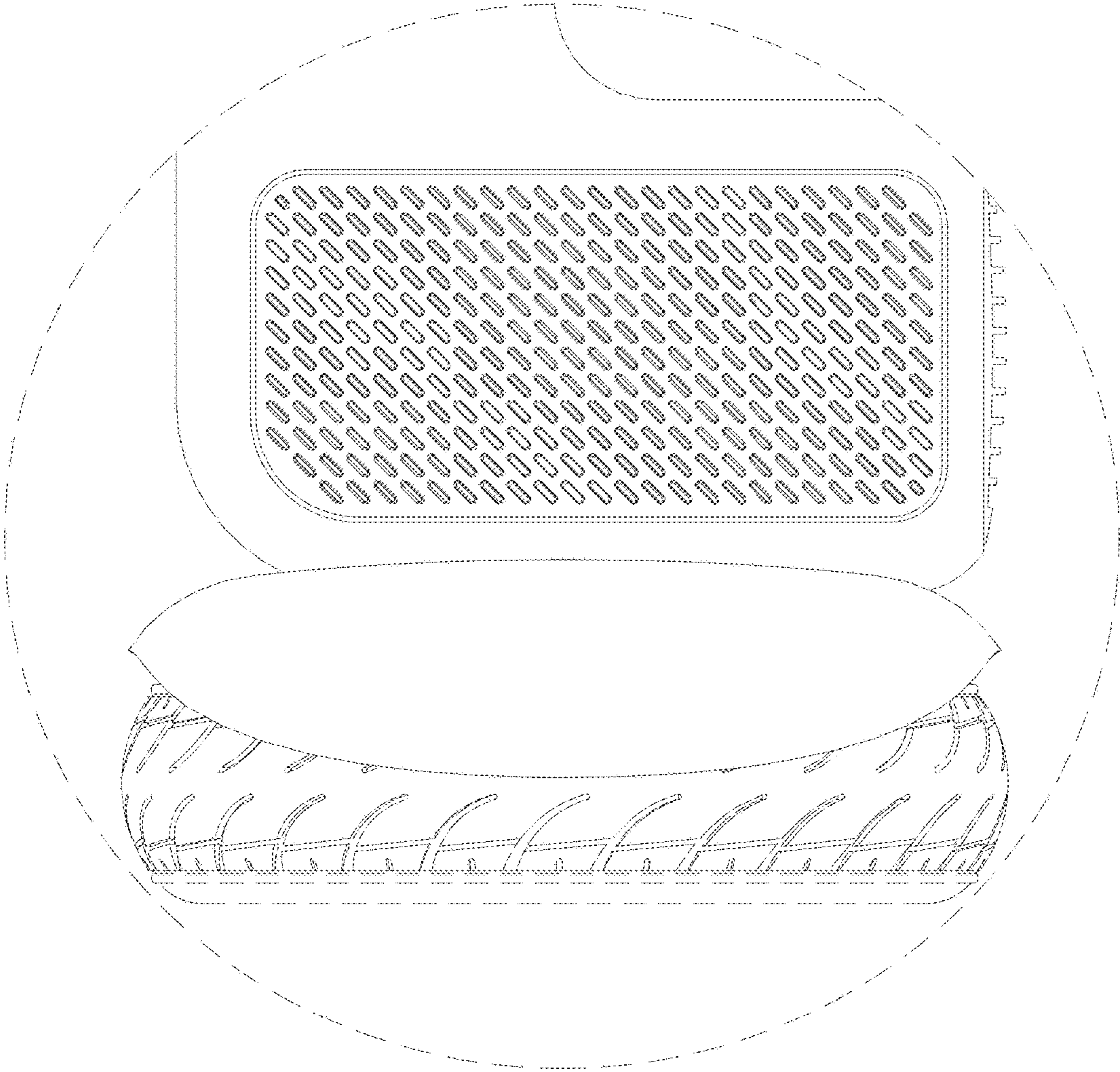


FIG. 8