



US00D842165S

(12) **United States Design Patent**
Marin

(10) **Patent No.:** **US D842,165 S**

(45) **Date of Patent:** **** Mar. 5, 2019**

(54) **INTERCHANGEABLE BUTTON ASSEMBLY**

(71) Applicant: **Anibal Marin**, Baldwin, NY (US)

(72) Inventor: **Anibal Marin**, Baldwin, NY (US)

(**) Term: **15 Years**

(21) Appl. No.: **29/585,556**

(22) Filed: **Nov. 26, 2016**

(51) **LOC (11) Cl.** **02-07**

(52) **U.S. Cl.**
USPC **D11/228**

(58) **Field of Classification Search**
USPC D11/213, 220, 222, 223, 226, 228;
D8/356, 382, 388; 63/1.17, 12, 20, 29.1;
24/90.1, 91-95, 102 PL, 103-110,
24/113 MP, 113 R, 114.05, 114.7, 114.9,
24/114.12, 114.4, DIG. 11
CPC A41F 15/02; A43B 23/24; A43B 3/0078;
A44B 1/04; A44B 1/08; A44B 1/14;
A44B 1/28; A44B 1/30; A44B 1/32;
A44B 1/34; A44B 1/44; A44B 17/0082;
A44B 5/02; A44C 1/00; A44C 17/0208;
A45F 3/14; H01H 13/023; H01H 13/14
See application file for complete search history.

(56) **References Cited**

U.S. PATENT DOCUMENTS

488,219	A *	12/1892	Platt	A44B 1/34
					24/108
1,349,649	A *	8/1920	Arthur	A44B 1/30
					24/109
1,368,065	A *	2/1921	Sorensen	A44B 1/32
					24/109
1,548,250	A *	8/1925	Bobner	A44B 1/28
					24/94
1,661,520	A *	3/1928	Wullum	A44B 5/02
					24/110

2,228,043	A *	1/1941	Baggerud	A44B 1/34
					24/114.7
2,244,287	A *	6/1941	Carley	A44B 1/44
					24/114.9
2,453,227	A *	11/1948	Janes	A44B 1/28
					24/95
2,713,707	A *	7/1955	Libby	A44B 5/02
					24/110

(Continued)

Primary Examiner — Brandon M Rosati

Assistant Examiner — John A Voytek

(74) *Attorney, Agent, or Firm* — Brown & Michaels, PC

(57) **CLAIM**

The ornamental design for an interchangeable button assembly, as shown and described.

DESCRIPTION

FIG. 1 is an exploded, front perspective view of an interchangeable button assembly showing my new design. The cap, base and fastener elements are shown separately for clarity of illustration.

FIG. 2 is an exploded rear perspective view thereof;

FIG. 3 is a top view of the interchangeable button assembly;

FIG. 4 is a bottom view thereof;

FIG. 5 is a side view of the assembled interchangeable button assembly;

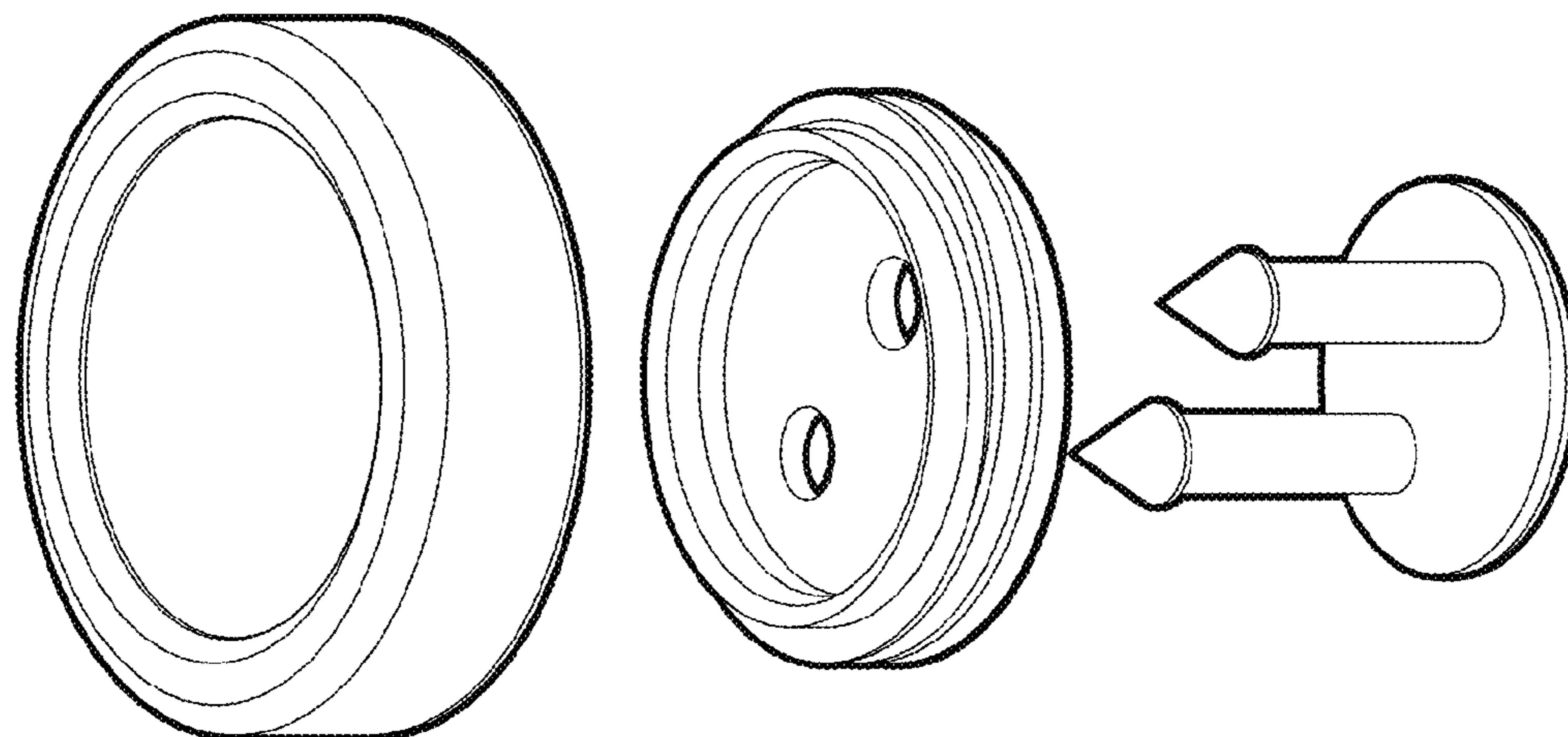
FIG. 6 is a top view of the base and fastener elements shown assembled for clarity of illustration;

FIG. 7 is a bottom view of the sub-assembly of the base and fastener shown assembled for clarity of illustration; and,

FIG. 8 is a side view of the sub-assembly of the base and fastener shown assembled for clarity of illustration.

The broken lines are included for the purpose of illustrating unclaimed portions of the finger interchangeable button assembly and form no part of the claimed design.

1 Claim, 3 Drawing Sheets



(56)

References Cited

U.S. PATENT DOCUMENTS

3,141,211	A *	7/1964	Blake	A43B 3/0078 24/114.9
3,715,781	A *	2/1973	Salvatori	A44B 1/28 24/113 MP
3,787,935	A *	1/1974	Kapitan	A44B 1/28 24/113 MP
4,097,969	A *	7/1978	Nysten	A44B 1/44 24/103
4,481,696	A *	11/1984	Kanzaka	A44B 1/34 24/108
4,541,148	A *	9/1985	Watanabe	A44B 1/32 24/102 PL
4,683,621	A *	8/1987	Watanabe	A44B 1/08 24/113 R
4,777,704	A *	10/1988	Acker	A44B 17/0082 63/20
4,969,241	A *	11/1990	Griffin	A44B 1/14 24/113 MP
5,189,762	A *	3/1993	Giancaspro	A44B 1/34 24/108
5,195,336	A *	3/1993	Mershon	A44B 1/14 63/29.1
D337,255	S *	7/1993	Novelli, Sr.	D8/356
D337,967	S *	8/1993	Wright	D11/226
D344,252	S *	2/1994	Choi	D11/222
D361,740	S *	8/1995	Kidd	D11/228
6,266,853	B1 *	7/2001	Ho	A44B 1/28 24/90.1
7,788,772	B2 *	9/2010	Dandurand	A45F 3/14 24/105
7,856,697	B2 *	12/2010	Quimod	A44B 1/04 24/113 MP
8,522,404	B2 *	9/2013	Matei	A44B 1/28 24/104
9,269,510	B2 *	2/2016	Andrews	H01H 13/14
D781,178	S *	3/2017	Harpole	D11/222
2011/0061207	A1 *	3/2011	Forbes	A44C 1/00 24/104
2015/0237968	A1 *	8/2015	Liammari	A44B 1/34 24/114.05
2017/0196313	A1 *	7/2017	Marin	A44B 1/14

* cited by examiner

Fig. 1

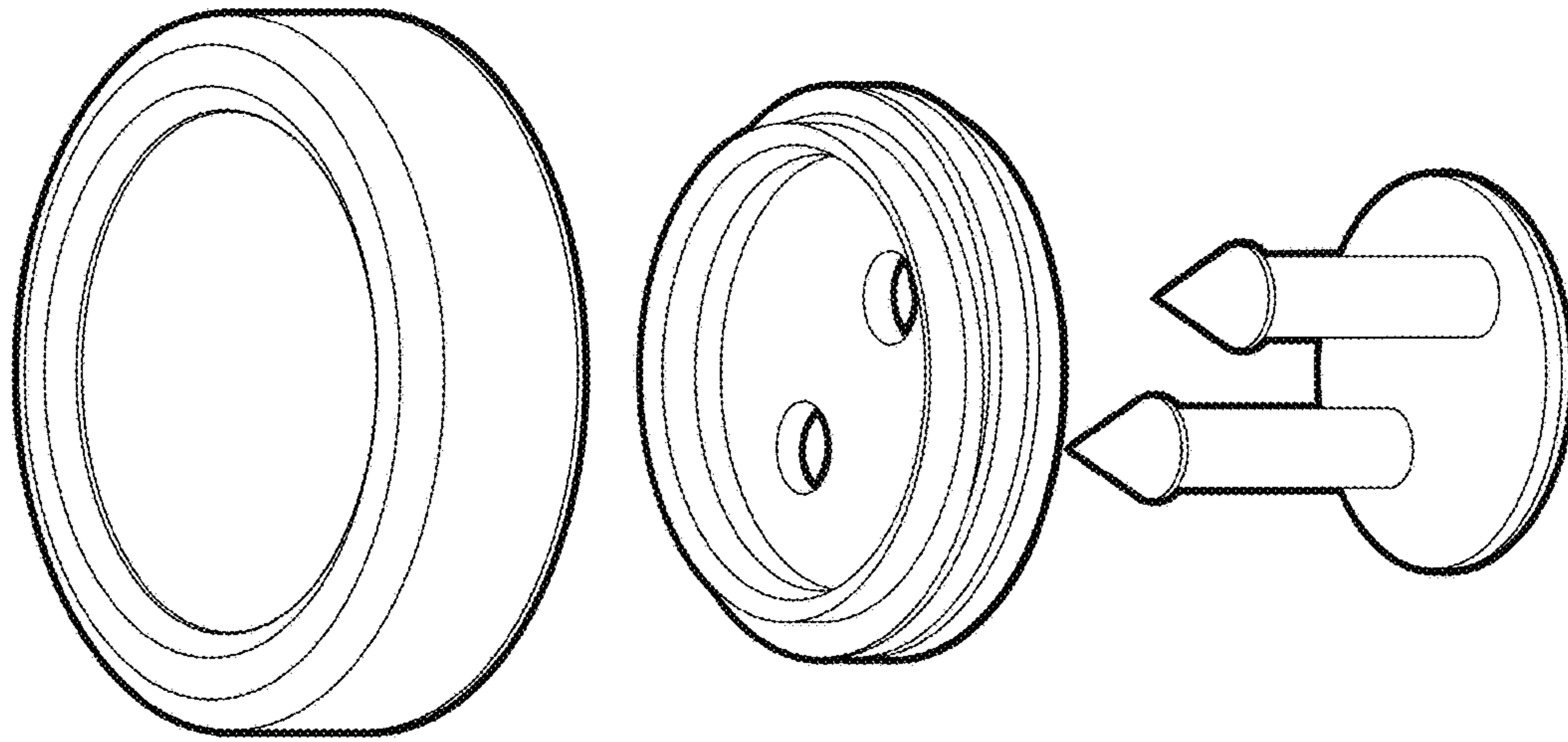


Fig. 2

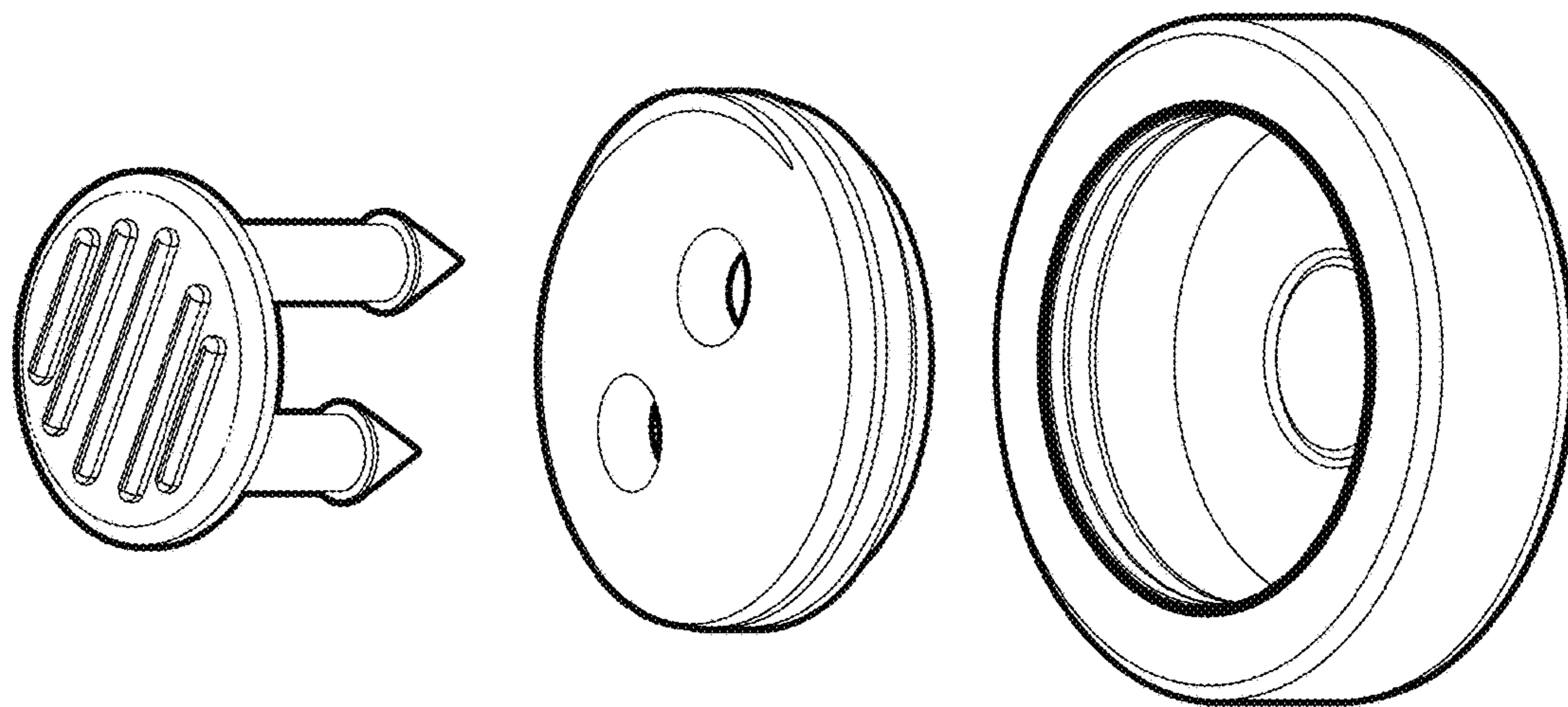


Fig. 3

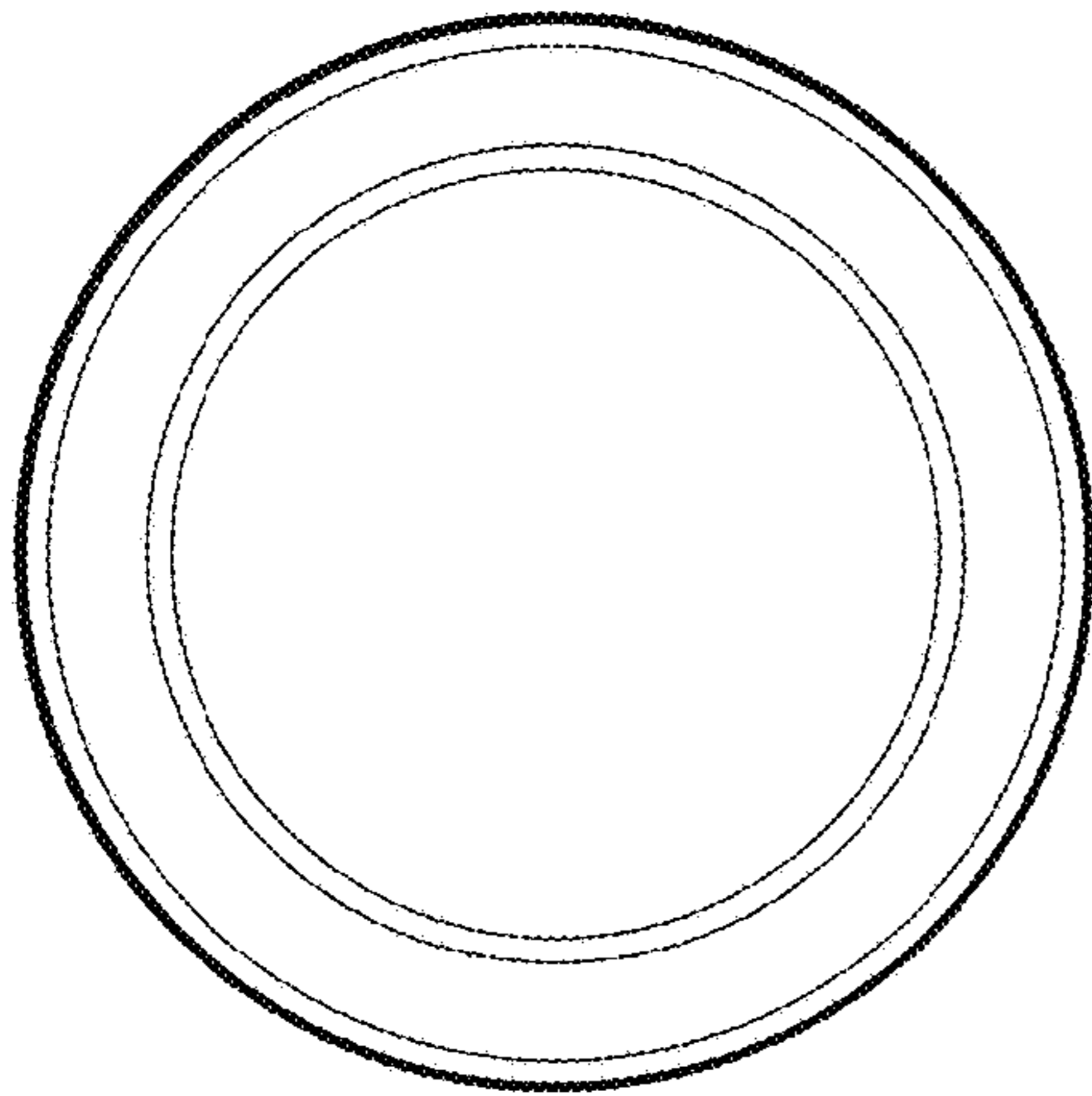


Fig. 4

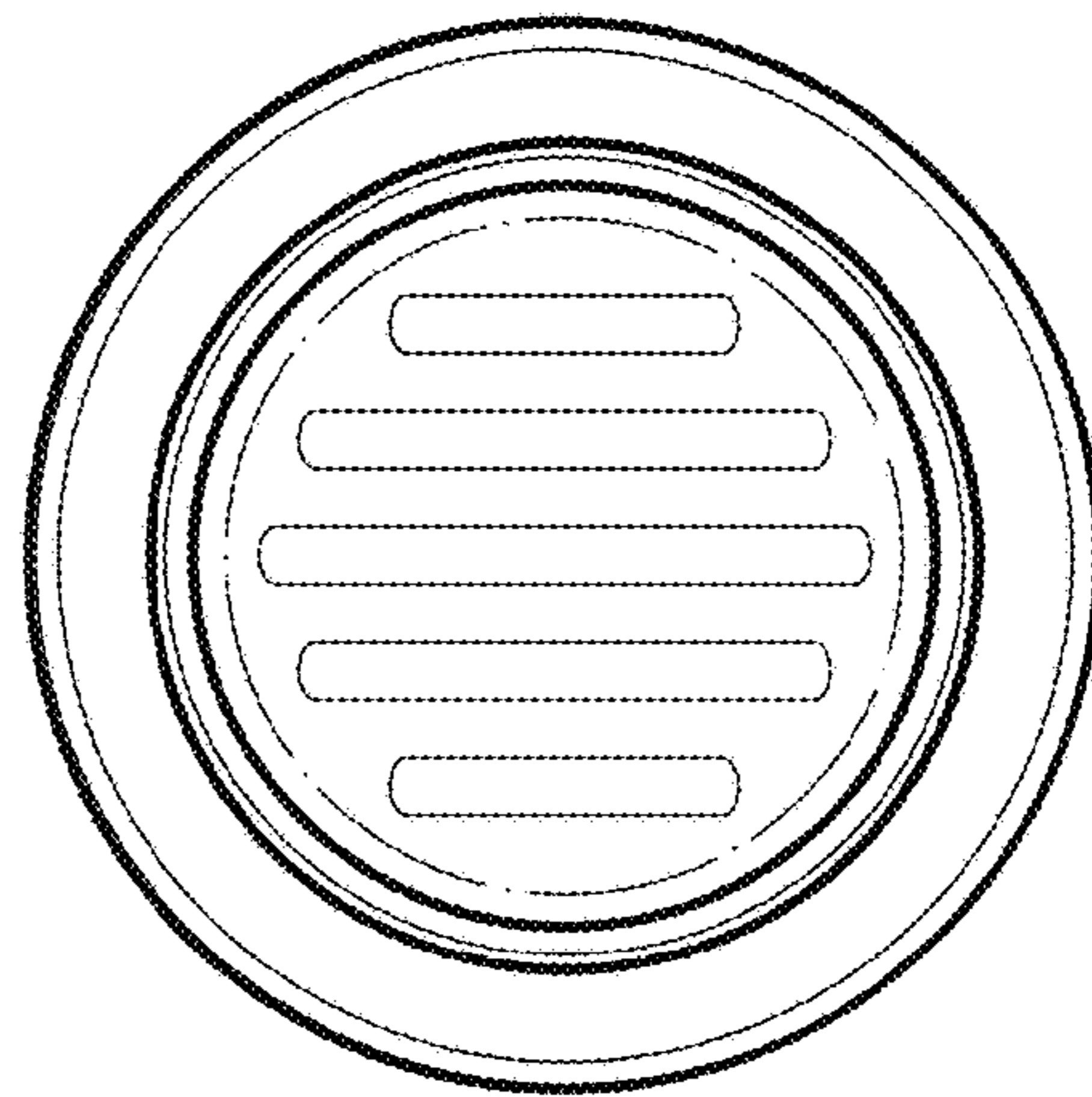


Fig. 5

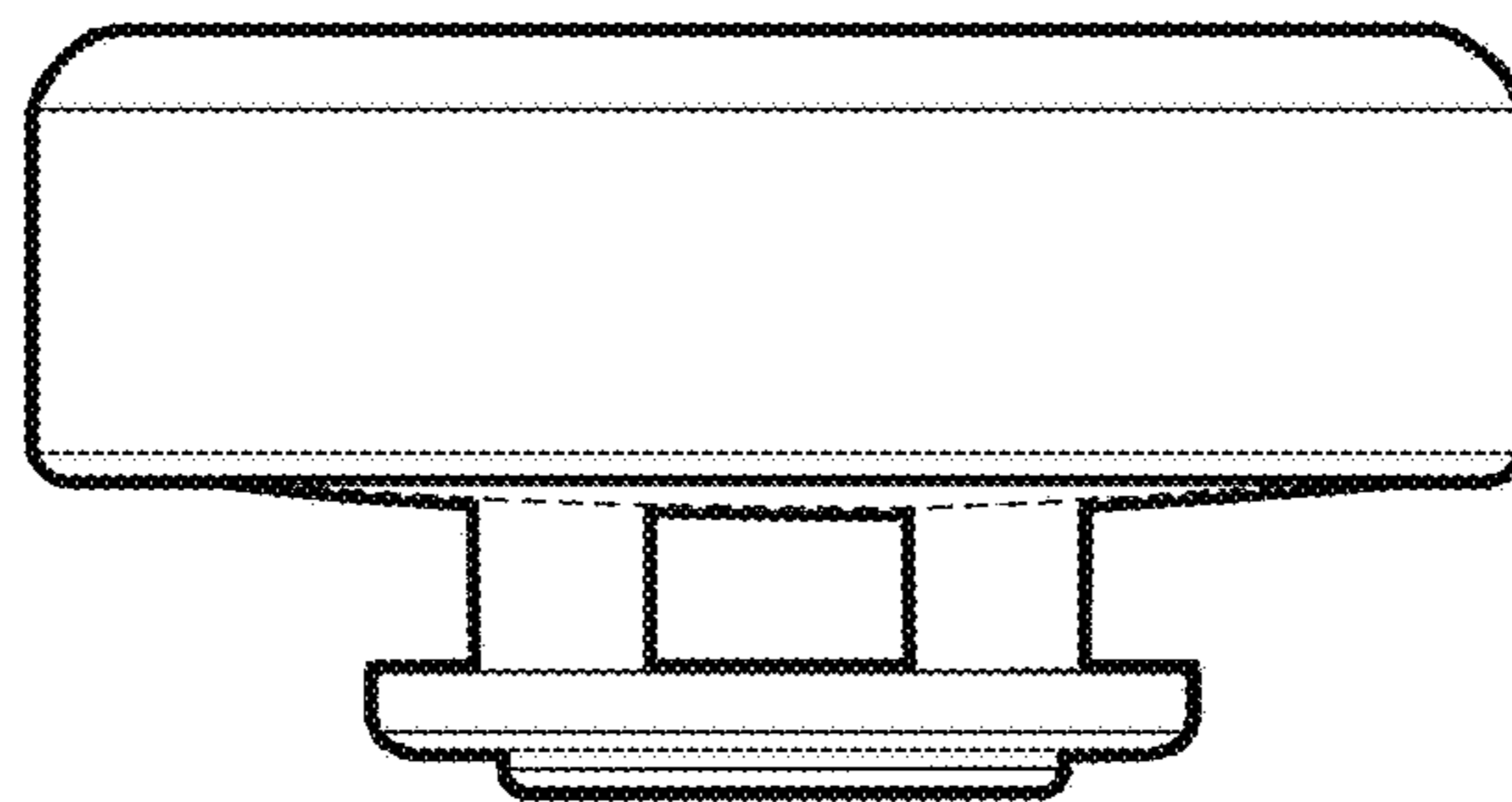


Fig. 6

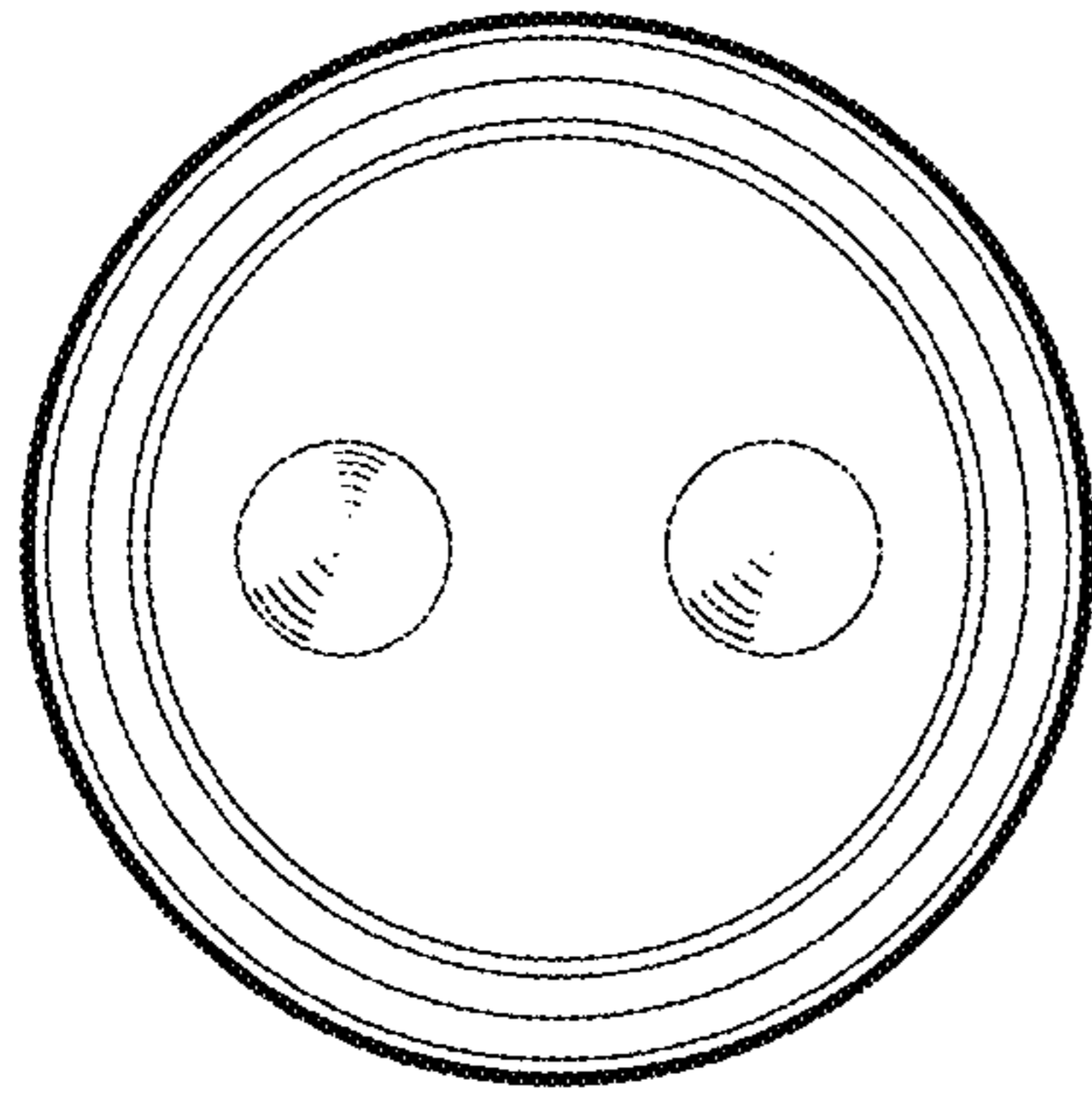


Fig. 7

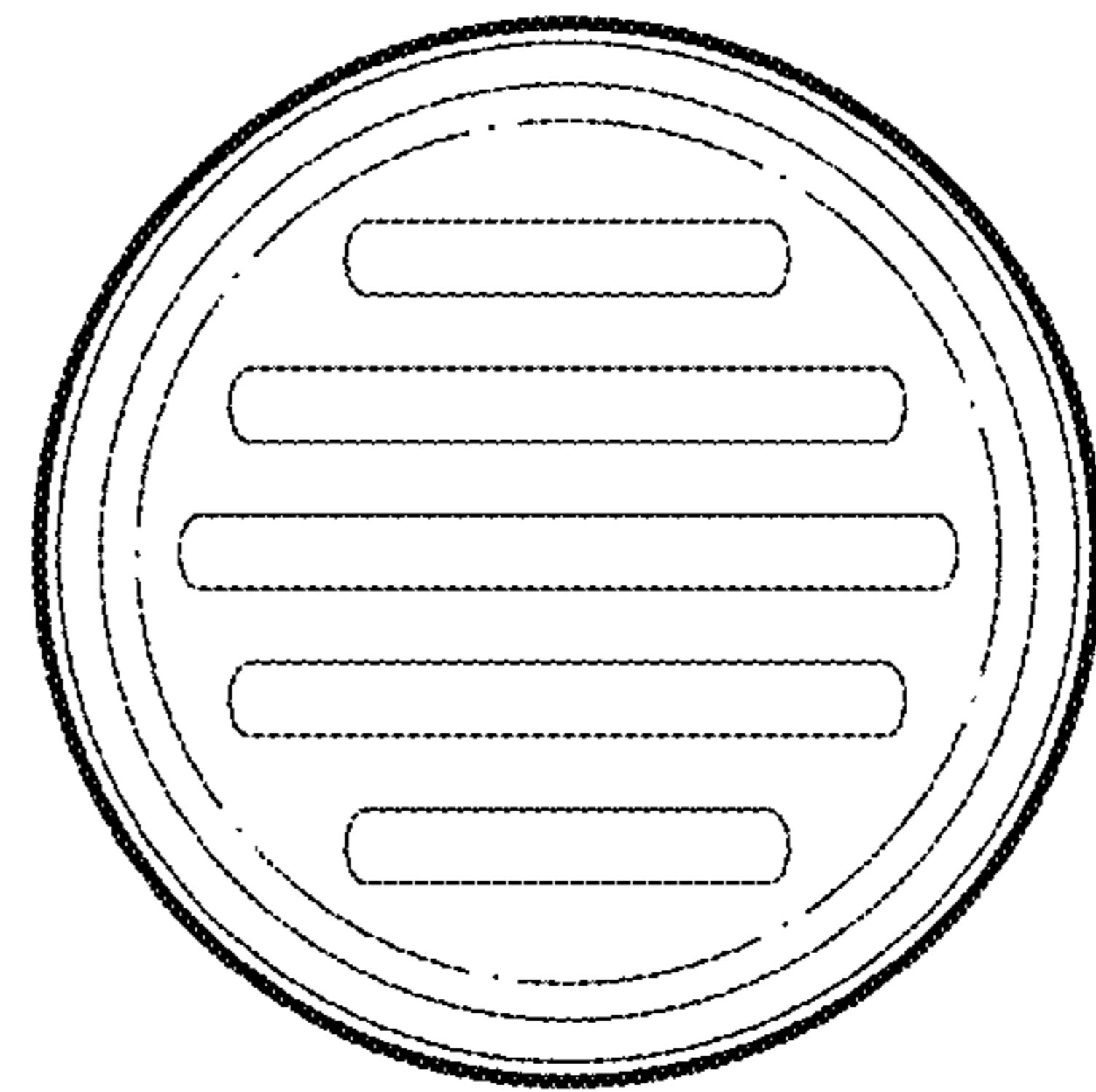


Fig. 8

