

US00D842163S

**(12) United States Design Patent**  
**Rapp et al.**

**(10) Patent No.: US D842,163 S**  
**(45) Date of Patent: \*\* Mar. 5, 2019**

- (54) **CHRISTMAS TREE STAND**  
(71) Applicant: **Patent Innovations LLC**, West Henrietta, NY (US)  
(72) Inventors: **Steve Rapp**, Rochester, NY (US); **John M. Hammond**, Livonia, NY (US)  
(73) Assignee: **Patent Innovations LLC**, Pittsford, NY (US)

D424,969 S \* 5/2000 Fillipp ..... D11/130.1  
D428,357 S \* 7/2000 Fillipp ..... D11/130.1  
D443,227 S \* 6/2001 Sofy ..... D11/130.1  
6,286,804 B1 \* 9/2001 Avinger ..... A47G 33/12  
248/519  
6,357,173 B1 \* 3/2002 Sofy ..... A47G 33/12  
248/524  
D498,172 S \* 11/2004 Verni ..... D11/130.1  
6,877,274 B2 \* 4/2005 Fiveash ..... A47G 33/12  
248/527

(Continued)

(\*\*) Term: **15 Years**

**OTHER PUBLICATIONS**

- (21) Appl. No.: **29/631,364**  
(22) Filed: **Dec. 29, 2017**  
(51) **LOC (11) Cl.** ..... **06-99**  
(52) **U.S. Cl.**  
USPC ..... **D11/130.1**  
(58) **Field of Classification Search**  
USPC ... D11/117, 121, 130, 130.1, 131, 143, 144, D11/152, 153, 154; 428/7, 8, 9, 12, 15, 428/19, 20; 248/519, 523–526; 47/39, 47/40.5, 41.1, 41.11–41.15, 42, 43  
CPC . E04H 12/2238; E04H 12/3346; A47G 33/12; A47G 33/1206; A47G 33/1213; A47G 33/1226; A47G 22/1246; A47G 33/126  
See application file for complete search history.

Illustrations of Krinner Tree Genie Christmas tree stands at published at website www.krinnerusa.com/christmas-tree-stands. Publication date unknown.

(Continued)

**(56) References Cited**

**U.S. PATENT DOCUMENTS**

2,933,274 A \* 4/1960 Mausolf ..... A47G 33/1226  
248/524  
D188,862 S \* 9/1960 Krastel ..... D11/130.1  
D321,670 S \* 11/1991 Buonito ..... D11/130.1  
D351,570 S \* 10/1994 Fillipp ..... D11/130.1  
D364,831 S \* 12/1995 Fillipp ..... D11/130.1  
5,845,890 A \* 12/1998 Earsley ..... A47G 33/1226  
248/516  
5,918,849 A \* 7/1999 Bliss ..... A47G 33/1213  
192/223.1

Primary Examiner — Elizabeth J Oswecki  
(74) *Attorney, Agent, or Firm* — John M. Hammond; Patent Innovations LLC

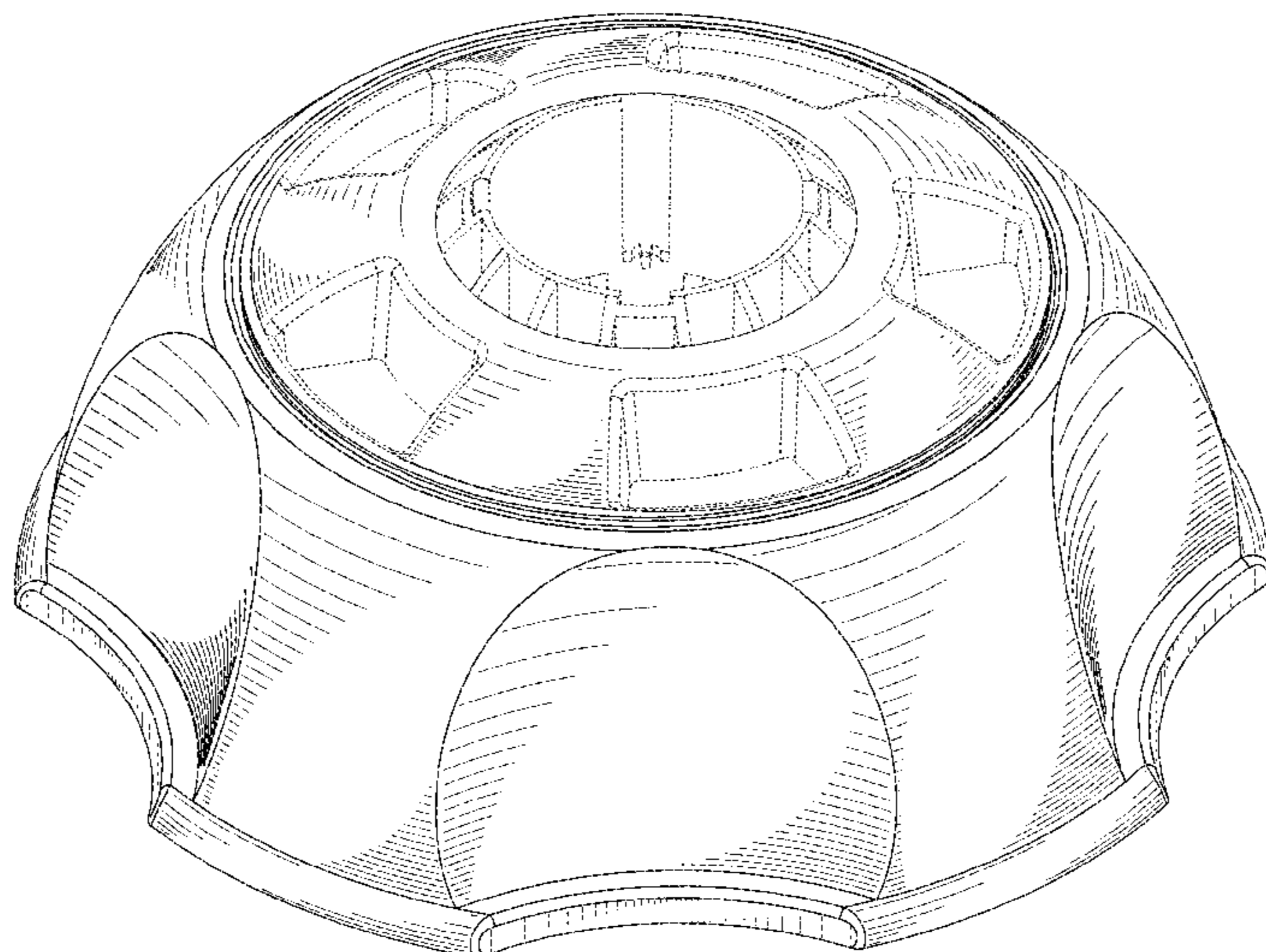
**(57) CLAIM**

The ornamental design for a Christmas tree stand, as shown and described.

**DESCRIPTION**

FIG. 1 is a top, front perspective view of a Christmas tree stand, showing our new design;  
FIG. 2 is a front elevation view thereof;  
FIG. 3 is a right side elevation view thereof;  
FIG. 4 is a rear elevation view thereof;  
FIG. 5 is a left side elevation view thereof;  
FIG. 6 is a top plan view thereof;  
FIG. 7 is a bottom plan view thereof; and,  
FIG. 8 is an exploded, top, front perspective view thereof.  
The broken lines shown in the drawings represent portions of the Christmas tree stand that form no part of the claimed design.

**1 Claim, 6 Drawing Sheets**



(56)

**References Cited**

U.S. PATENT DOCUMENTS

D543,895 S \* 6/2007 Bolster ..... D11/117  
D709,794 S \* 7/2014 Gage, Jr. .... D11/130.1  
9,375,109 B2 \* 6/2016 Hammond ..... A47G 33/1226  
D821,913 S \* 7/2018 Lannie ..... D11/130.1  
2018/0020859 A1 1/2018 Rapp et al.

OTHER PUBLICATIONS

Illustrations of Cinco Plastics Christmas tree stands at published at  
website <http://cincoplastics.com/cinco/>. Publication date unknown.

\* cited by examiner

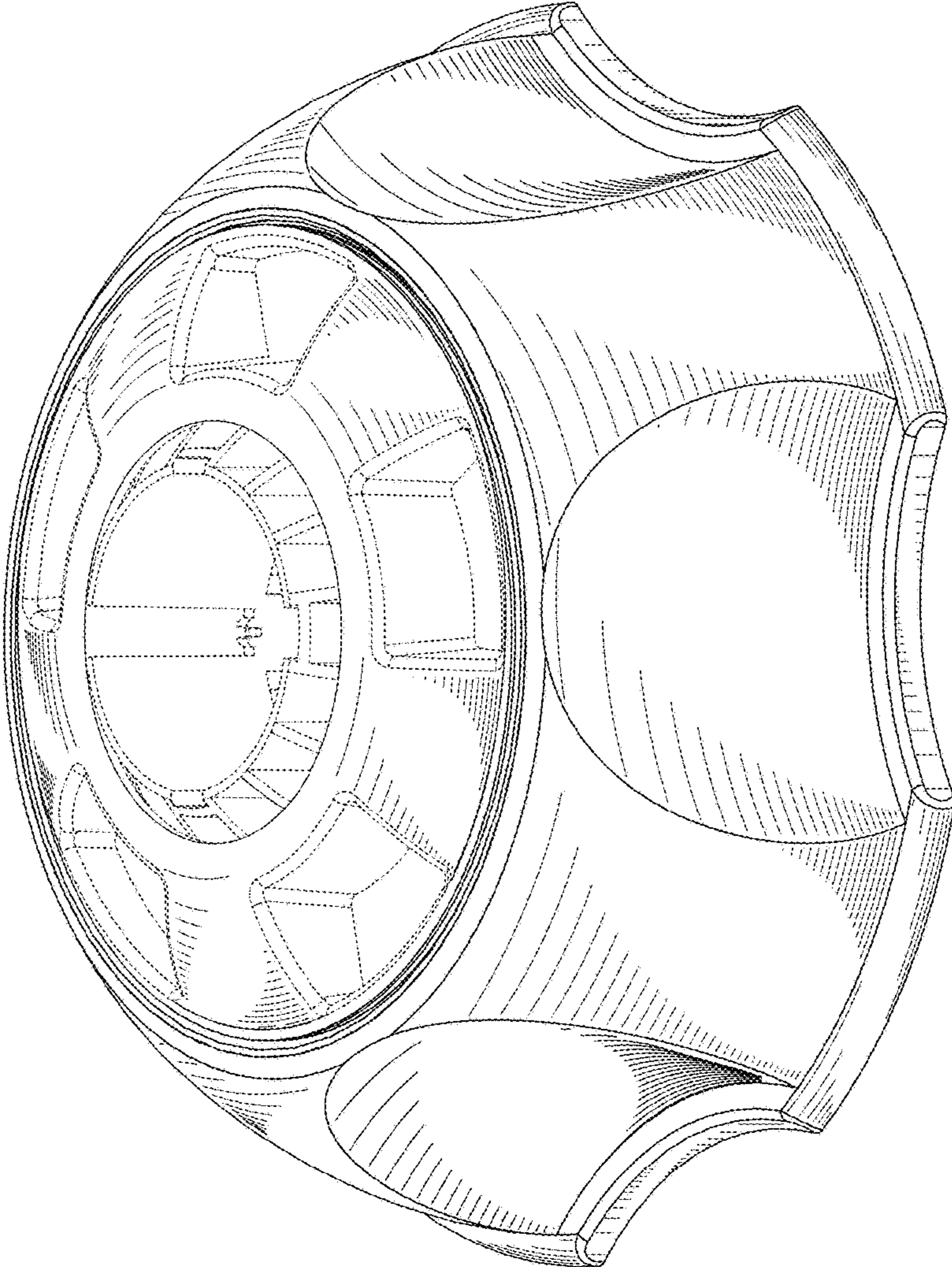


FIG. 1

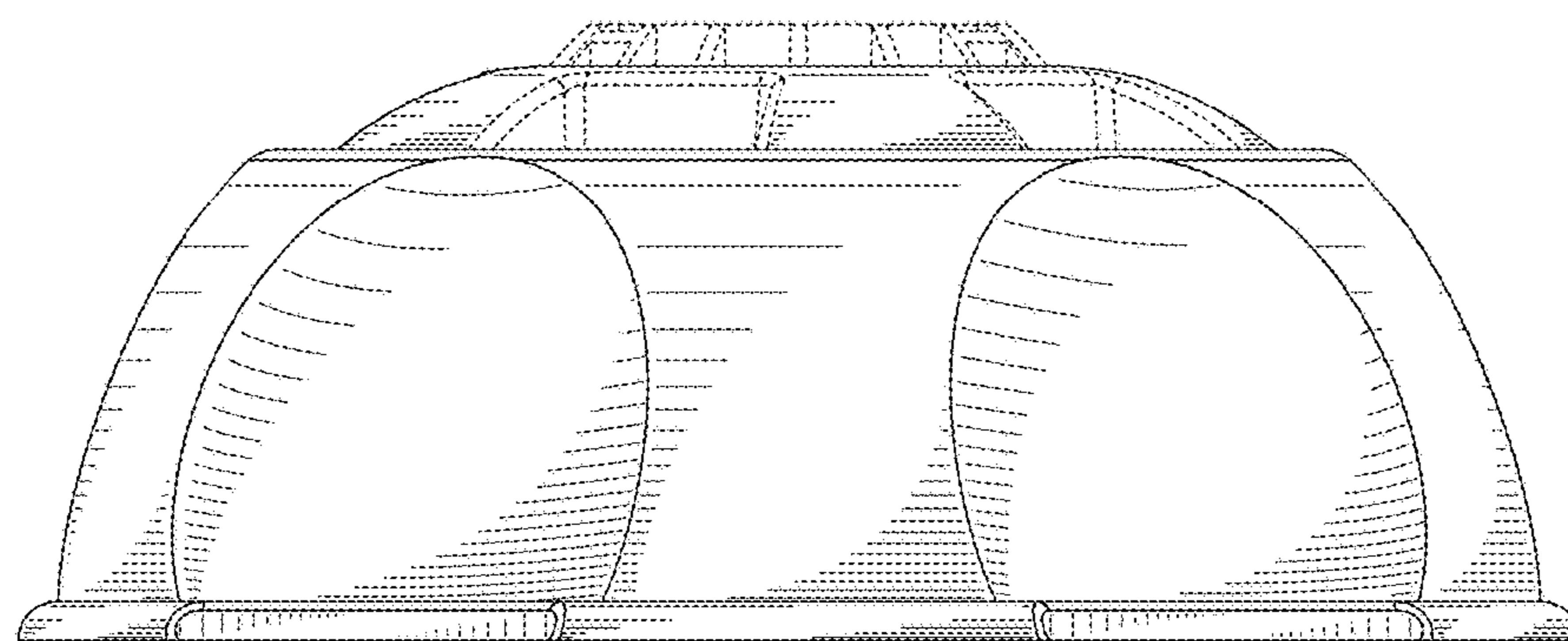


FIG. 2

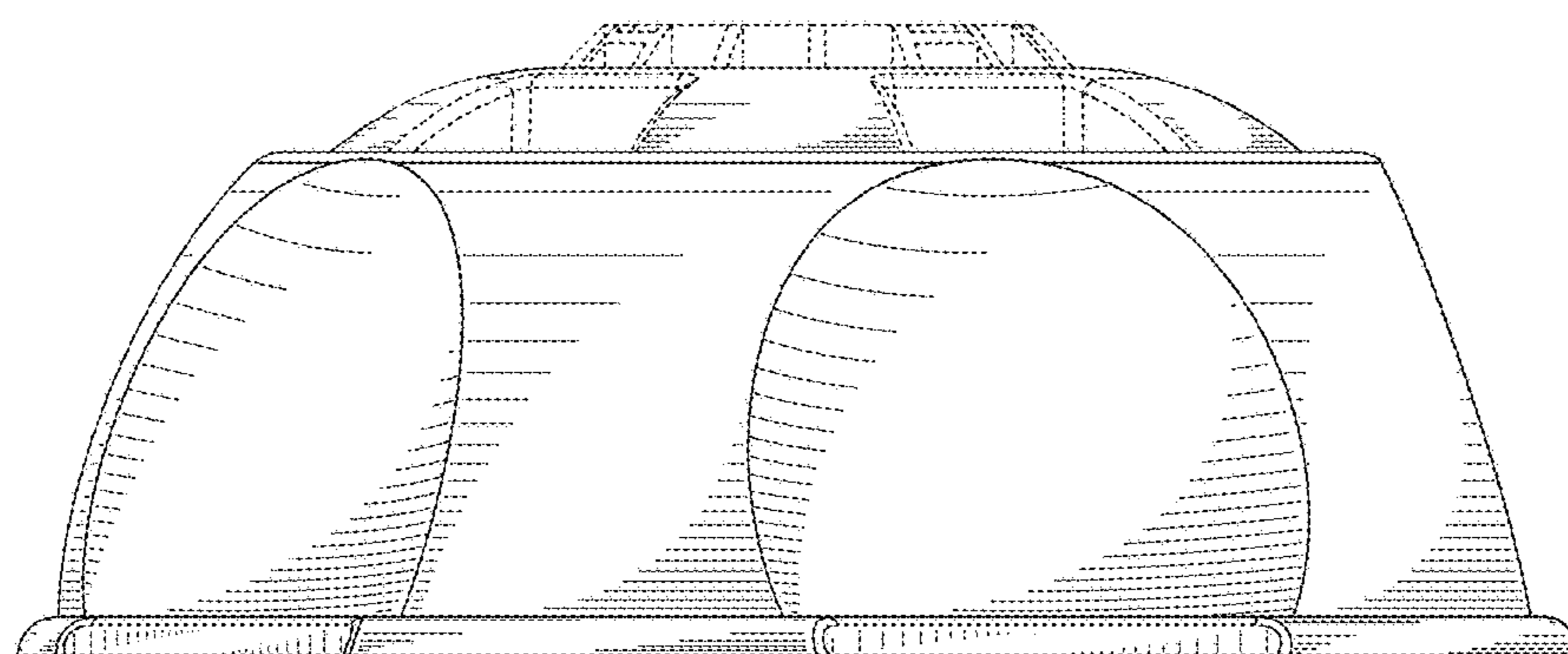


FIG. 3

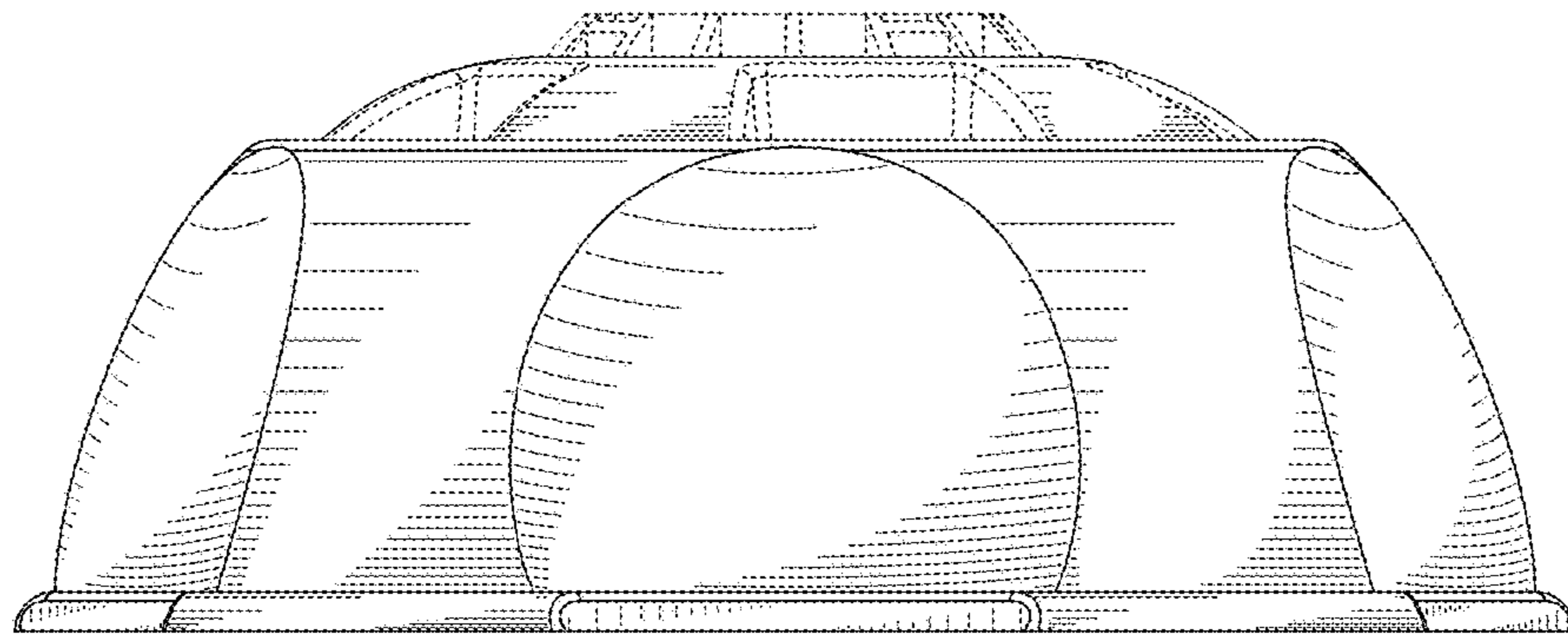


FIG. 4

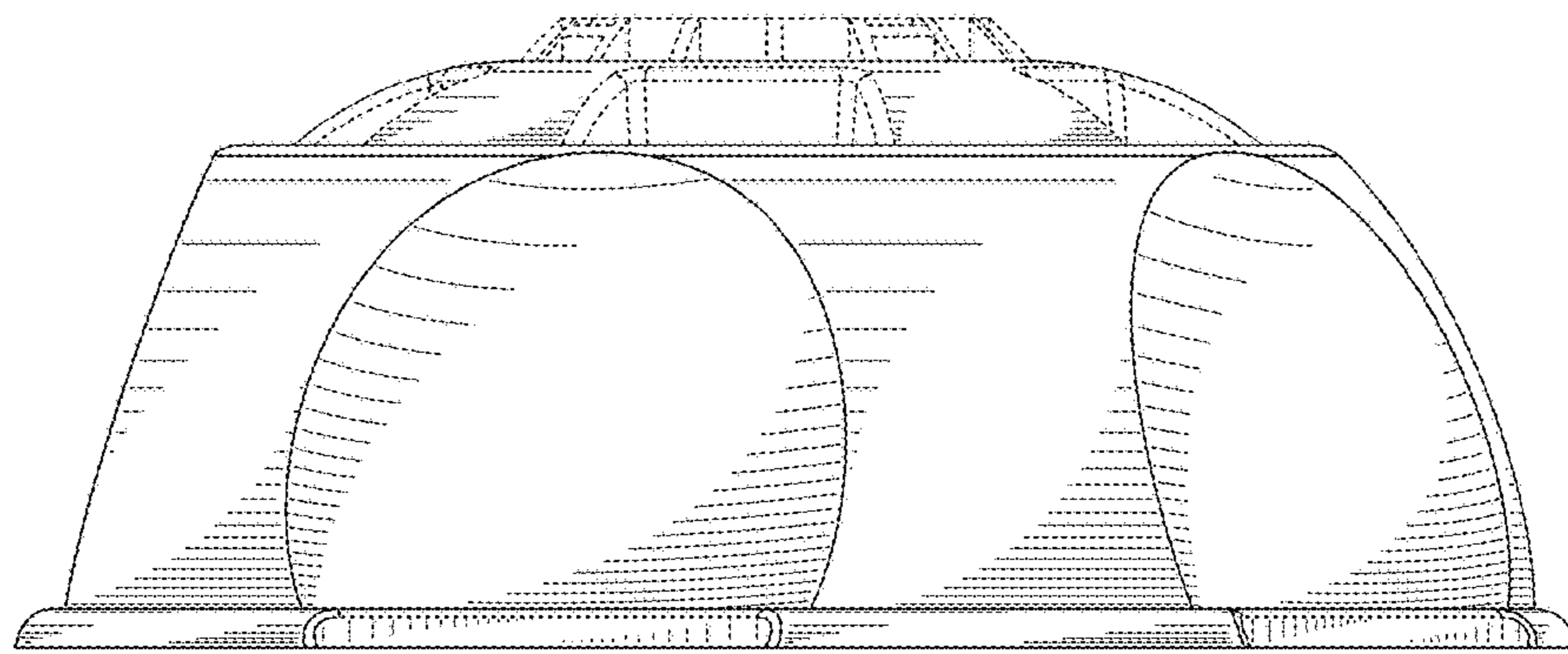


FIG. 5

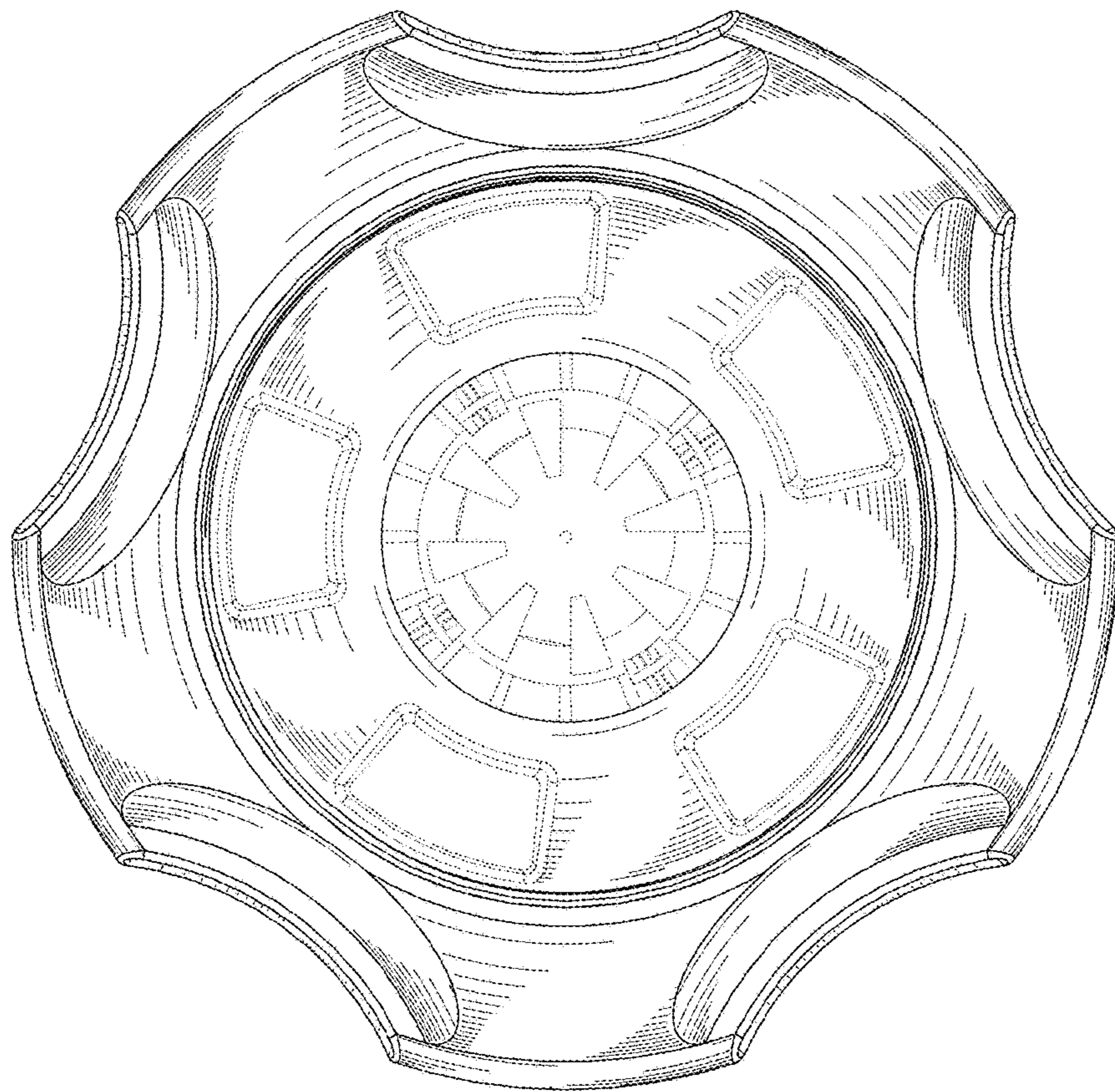


FIG. 6

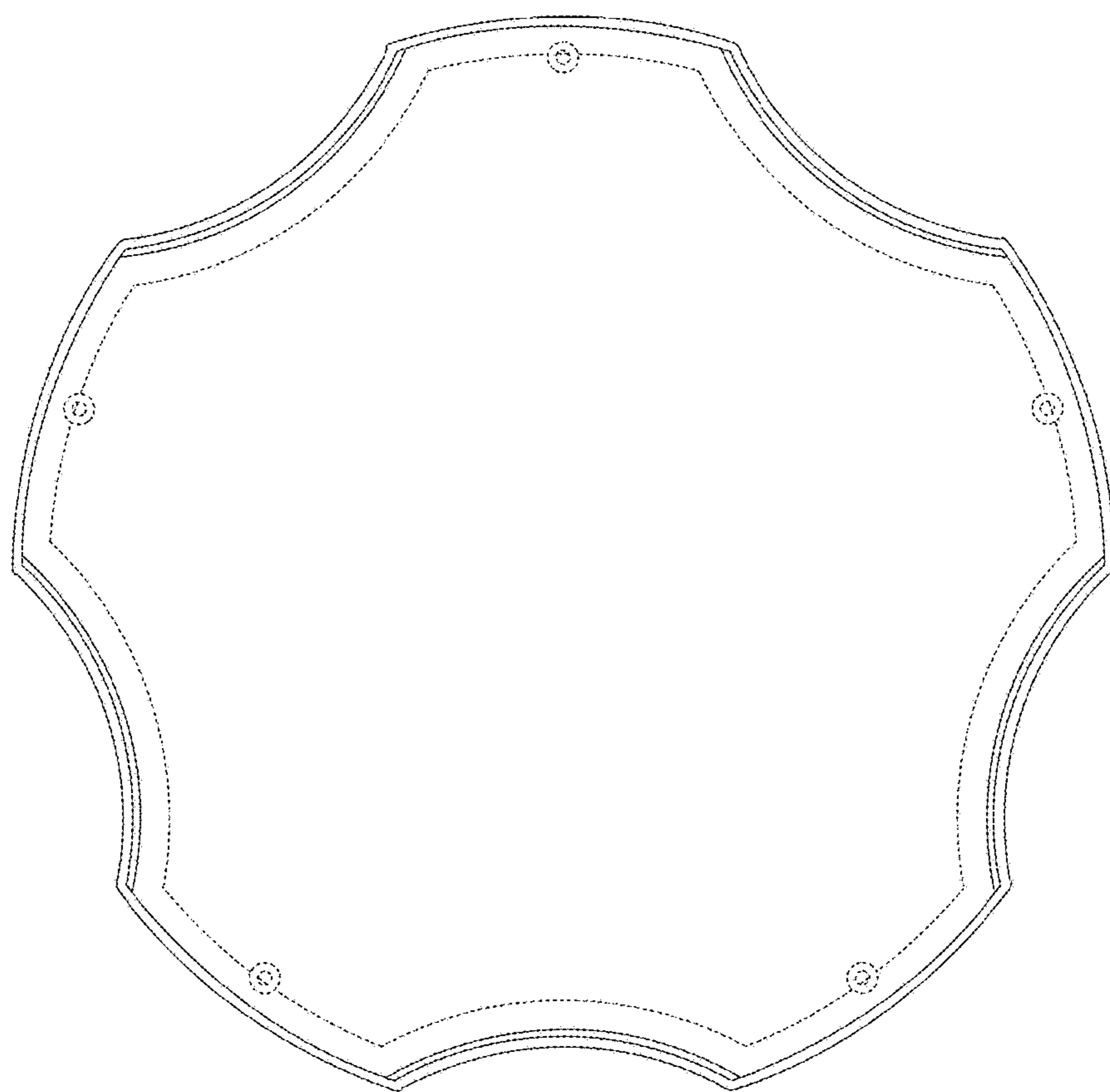


FIG. 7

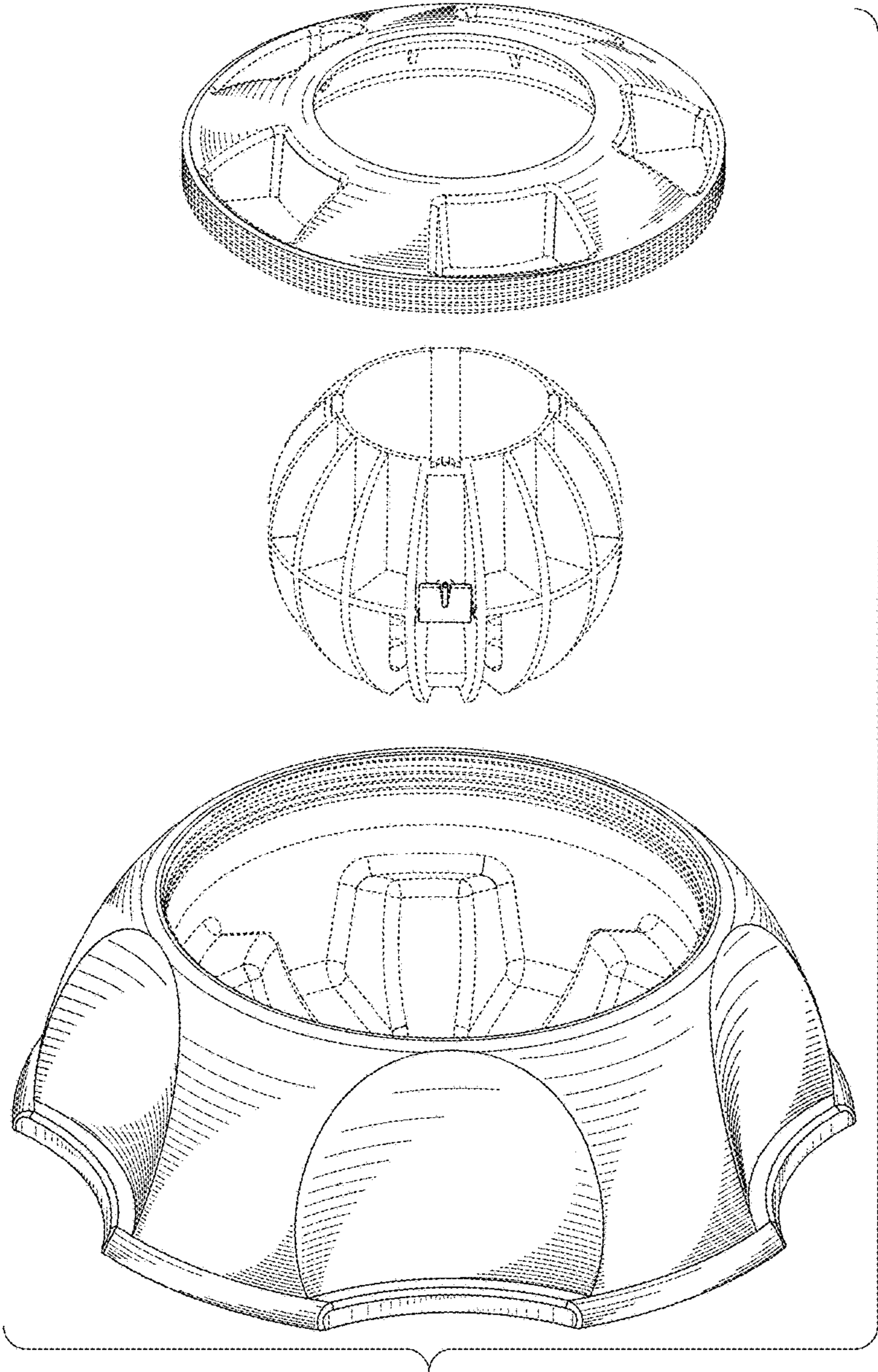


FIG. 8