



US00D842162S

(12) **United States Design Patent** (10) **Patent No.:** **US D842,162 S**  
**Page** (45) **Date of Patent:** **\*\* Mar. 5, 2019**

(54) **JEWELRY RING**  
(71) Applicant: **Beverly Page**, Auburndale, FL (US)  
(72) Inventor: **Beverly Page**, Auburndale, FL (US)  
(\*\*) Term: **15 Years**  
(21) Appl. No.: **29/616,399**  
(22) Filed: **Sep. 6, 2017**  
(51) **LOC (11) Cl.** ..... **11-01**  
(52) **U.S. Cl.**  
USPC ..... **D11/35**  
(58) **Field of Classification Search**  
USPC ..... D11/1, 2, 26-44, 63, 66, 67, 75, 76,  
D11/79-86, 91, 92  
CPC ..... A44C 9/00; A44C 9/0007; A44C 9/0015;  
A44C 9/0023; A44C 9/003; A44C  
9/0038; A44C 9/0046; A44C 9/0053;  
A44C 9/0061; A44C 9/0069; A44C  
9/0076; A44C 17/02; A44C 17/0208;  
A44C 17/0216; A44C 17/0225; A44C  
17/0233; A44C 17/0241; A44C 17/025;  
A44C 17/0258; A44C 17/0266; A44C  
17/0275; A44C 17/0283; A44C 17/0291;  
A44C 25/00; A44C 25/001; A44C 25/007  
See application file for complete search history.

(56) **References Cited**  
U.S. PATENT DOCUMENTS

D80,943 S \* 4/1930 Gross ..... D11/34  
D117,557 S \* 11/1939 Karples ..... D11/29  
D133,401 S \* 8/1942 Boucher ..... D11/30  
D332,235 S \* 1/1993 Bonchek ..... D11/26

D453,486 S 2/2002 Zillig  
D534,454 S 1/2007 Karachi-Langane  
D805,419 S \* 12/2017 McGraw ..... D11/30

**OTHER PUBLICATIONS**

[Online] [https://a.1stdibscdn.com/archivesE/upload/j\\_190/37\\_14/220440/220440\\_I.jpeg](https://a.1stdibscdn.com/archivesE/upload/j_190/37_14/220440/220440_I.jpeg). Retrieved Oct. 15, 2018.\*  
[Online] <http://i.ebayimg.com/images/g/iDIAAOSw-1FUXXoX/s-I300.jpg>. Retrieved Oct. 15, 2018.\*  
[Online] <https://silverboxejewelry.com/wp-content/uploads/2017/09/largebowczring-Wish.jpg>. Retrieved Oct. 15, 2018.\*

\* cited by examiner

*Primary Examiner* — Melanie Pellegrini  
(74) *Attorney, Agent, or Firm* — Matthew G. McKinney,  
Esq.; Allen, Dyer et al.

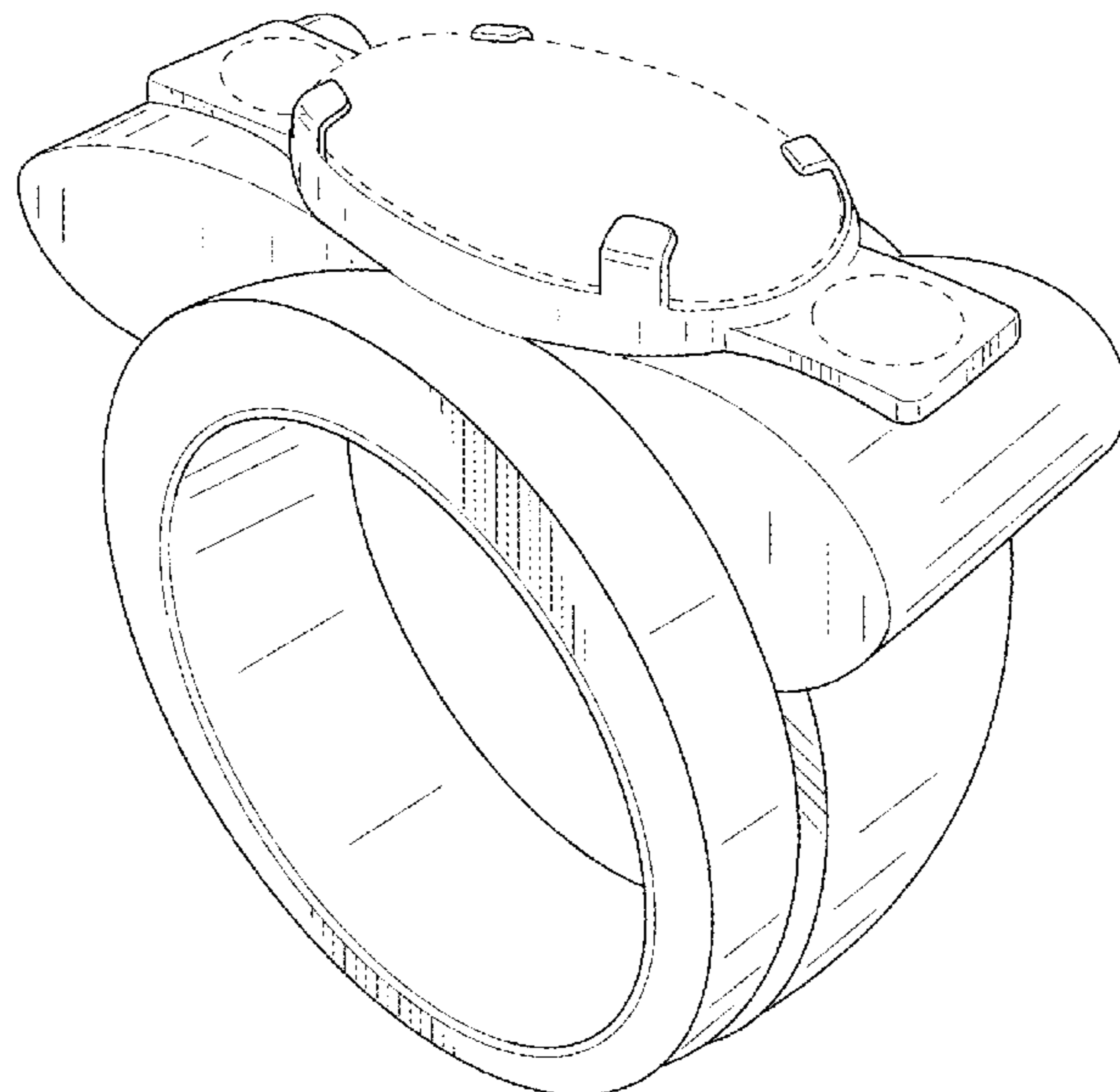
(57) **CLAIM**

The ornamental design for a jewelry ring, as shown and described.

**DESCRIPTION**

FIG. 1 is a top perspective view of a jewelry ring showing my new design;  
FIG. 2 is a front view thereof, the rear view being a mirror image;  
FIG. 3 is a right side elevational view thereof, the left side being a mirror image;  
FIG. 4 is a top view thereof; and,  
FIG. 5 is a bottom view thereof.  
The broken lines shown in the drawings illustrate portions of the jewelry ring that form no part of the claimed design.

**1 Claim, 4 Drawing Sheets**



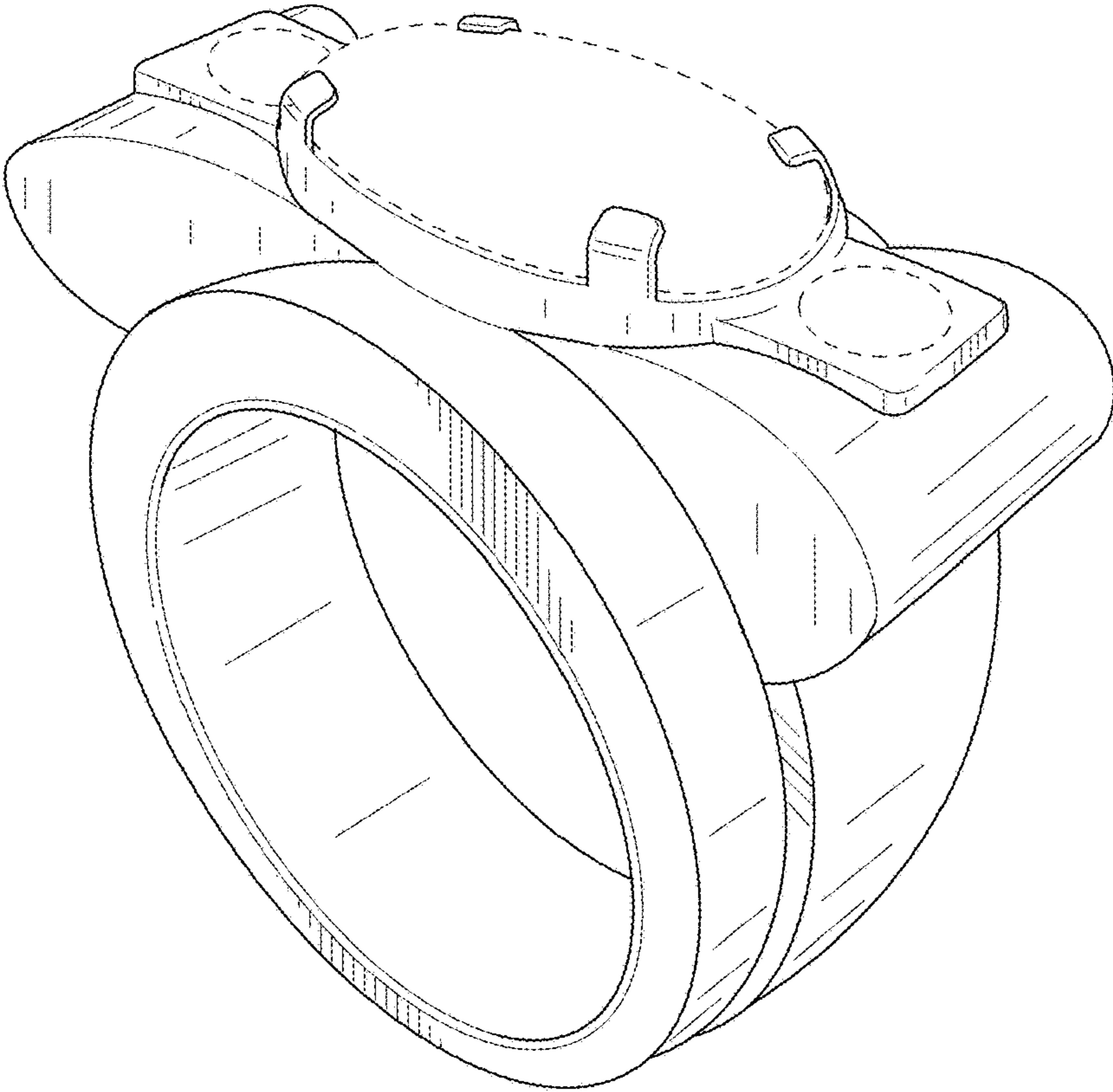


FIG. 1

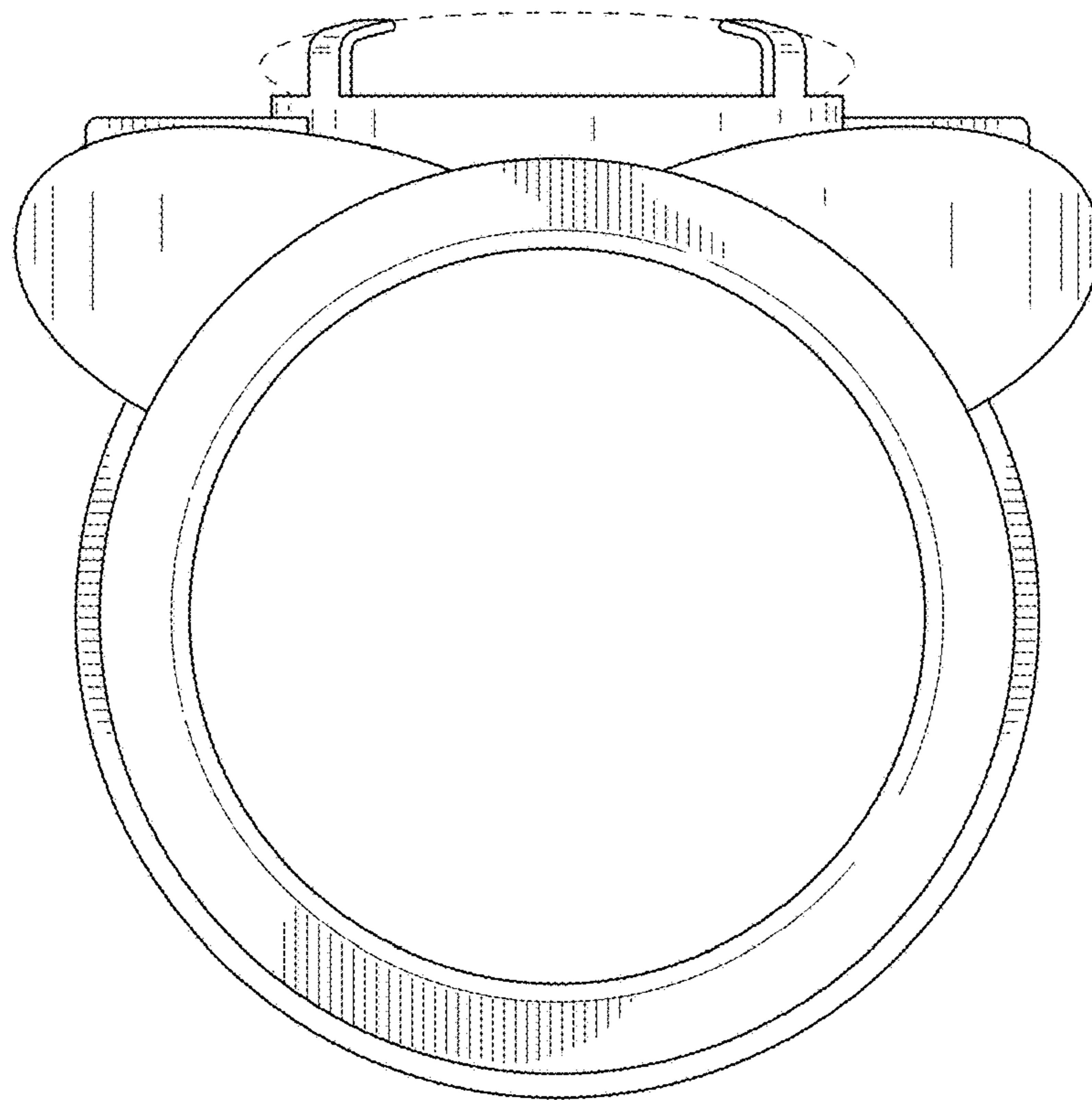


FIG. 2

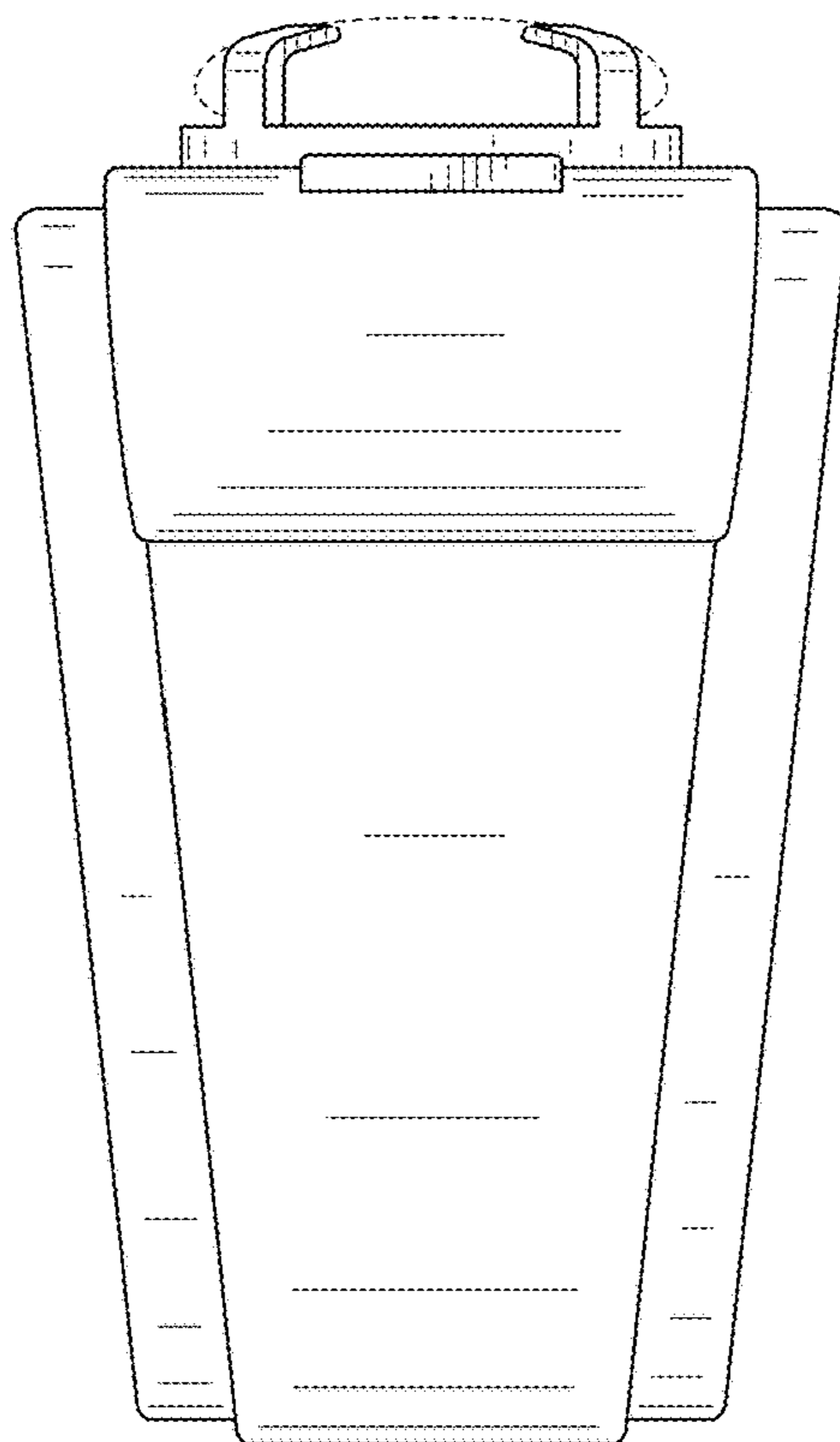


FIG. 3

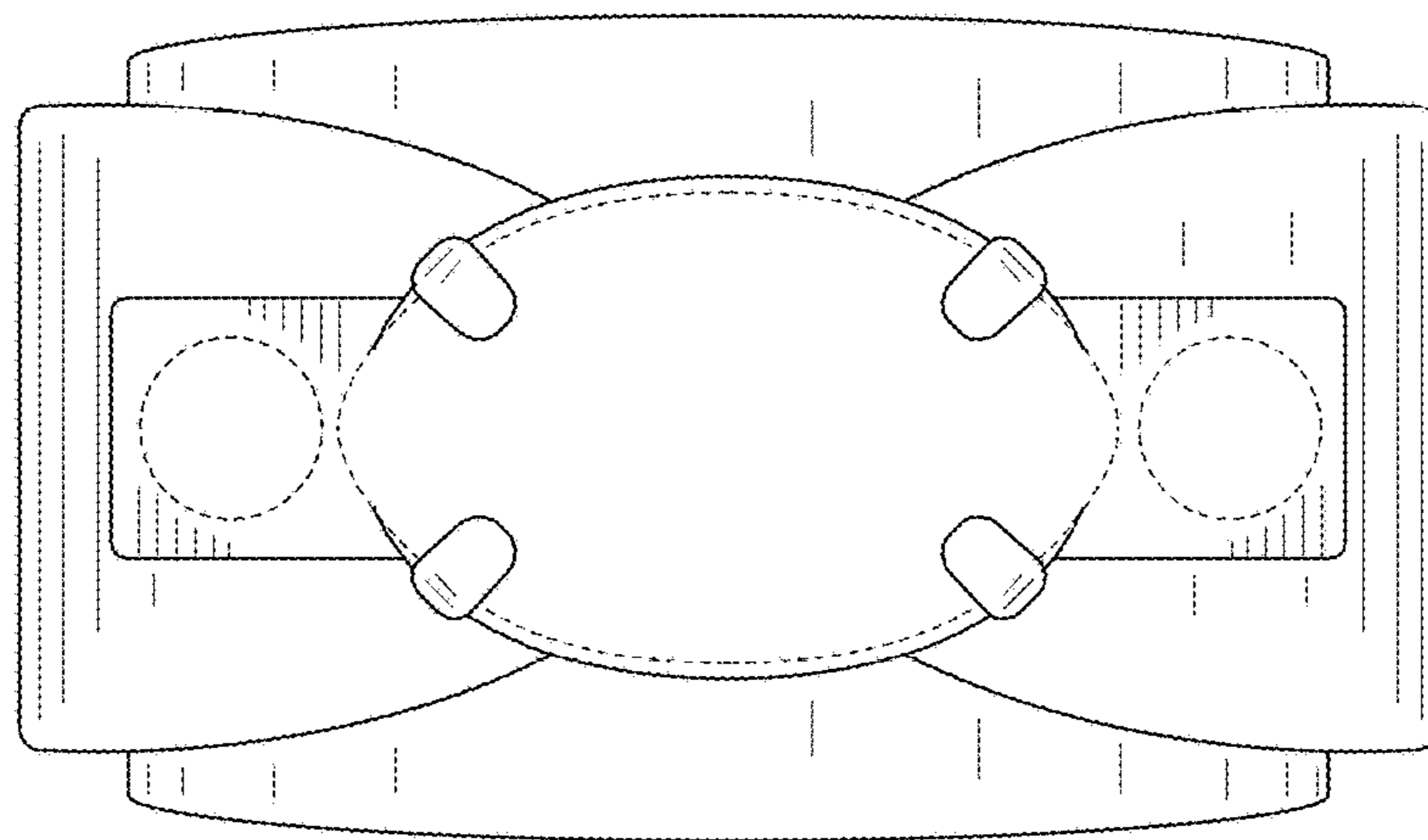


FIG. 4

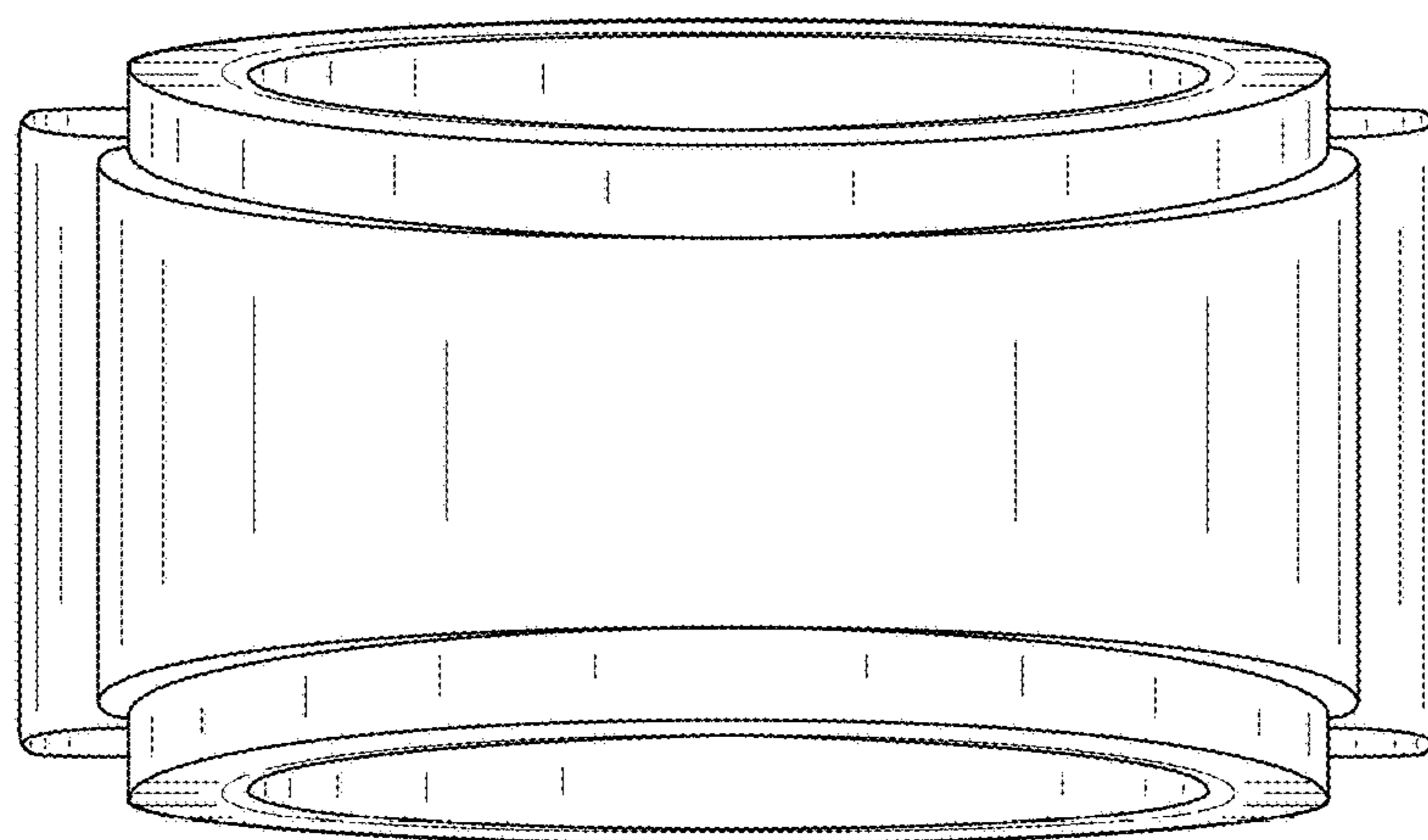


FIG. 5