



US00D842157S

(12) **United States Design Patent** (10) **Patent No.:** **US D842,157 S**
Liu (45) **Date of Patent:** **** Mar. 5, 2019**

(54) **WATCH BAND**
(71) Applicant: **Fazhang Liu**, Henan (CN)
(72) Inventor: **Fazhang Liu**, Henan (CN)
(**) Term: **15 Years**
(21) Appl. No.: **29/600,668**
(22) Filed: **Apr. 14, 2017**
(51) **LOC (11) Cl.** **11-01**
(52) **U.S. Cl.**
USPC **D11/3**
(58) **Field of Classification Search**
USPC D10/31, 32, 38, 39, 46, 70; D11/1-25,
D11/86, 87; D14/344
CPC A44C 5/12; A44C 5/14; A44C 5/18; A44C
5/0053; A44C 5/0069; A44C 5/0076;
A44C 5/00; A44C 5/0007; A44C 5/0015;
A44C 5/0023; A44C 5/003; A44C
5/0061; A44C 5/147; A44C 5/185; A44C
5/2047; A44C 5/2052; G04B 37/00;
G04B 37/1486; A44B 11/006; A44B
11/24
See application file for complete search history.

(56) **References Cited**
U.S. PATENT DOCUMENTS
D221,294 S * 7/1971 Poon D11/19
D221,295 S * 7/1971 Poon D11/23

D285,422 S * 9/1986 Grimes D10/32
D314,527 S * 2/1991 Kaneko D11/3
D327,440 S * 6/1992 Galli D10/126
D339,748 S * 9/1993 Choi D10/126
D349,257 S * 8/1994 Polenberg D11/3
D756,832 S * 5/2016 Riddiford D11/3
D800,596 S * 10/2017 Ling D11/5
D809,955 S * 2/2018 Ling D11/3
D821,245 S * 6/2018 Lowe D11/3
2018/0092438 A1* 4/2018 Vandebussche A44B 11/24

* cited by examiner

Primary Examiner — Kevin K Rudzinski
Assistant Examiner — Richard Kearney

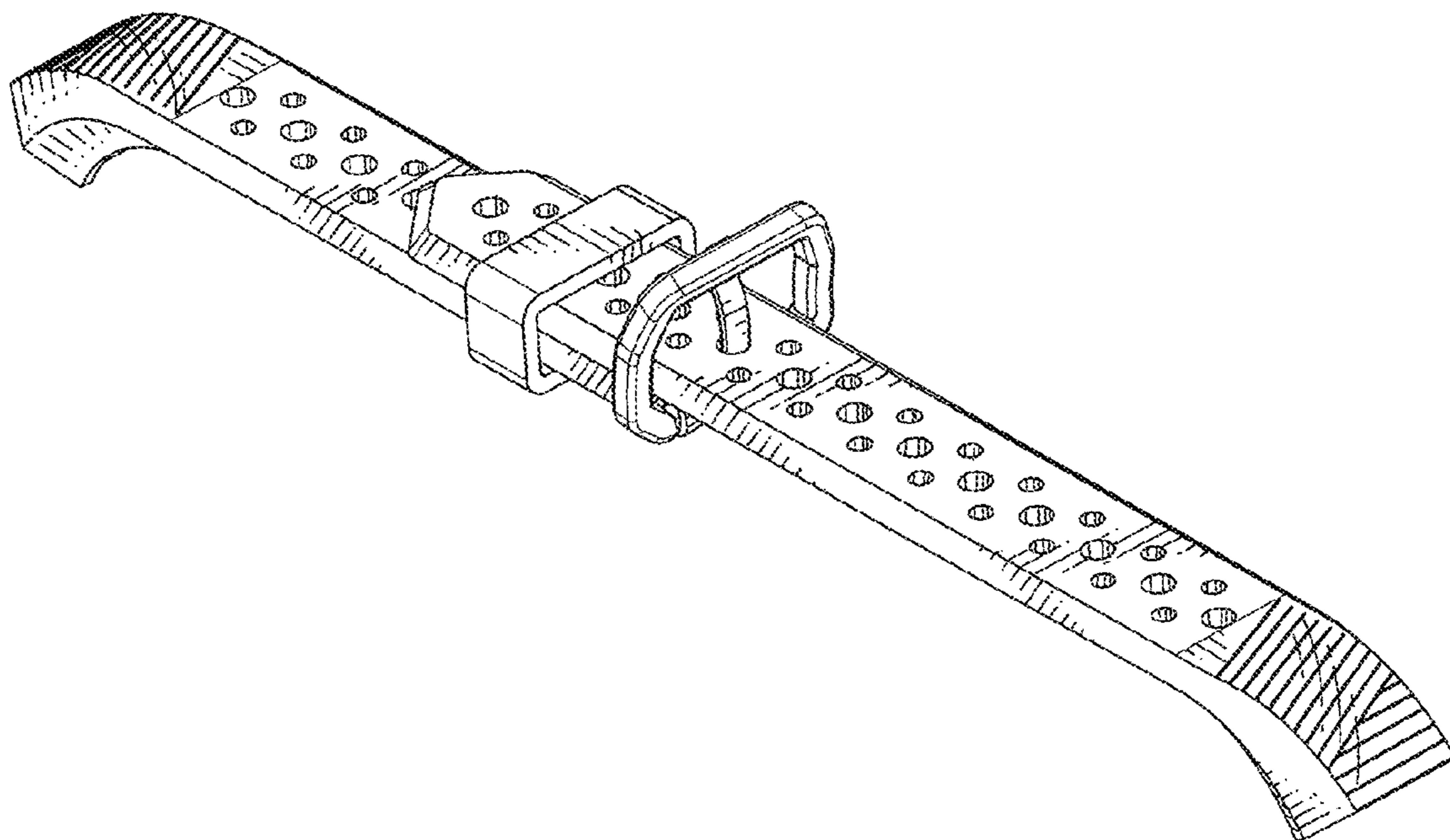
(57) **CLAIM**

I claim the ornamental design for a watch band, as shown and described.

DESCRIPTION

FIG. 1 is a perspective view of a watch band showing my new design;
FIG. 2 is a front elevational view thereof;
FIG. 3 is a rear elevational view thereof;
FIG. 4 is a left side elevational view thereof;
FIG. 5 is a right side elevational view thereof;
FIG. 6 is a top plan view thereof; and,
FIG. 7 is a bottom plan view thereof.
The broken lines shown in the drawings illustrate a portion of the watch band that forms no part of the claimed design.

1 Claim, 5 Drawing Sheets



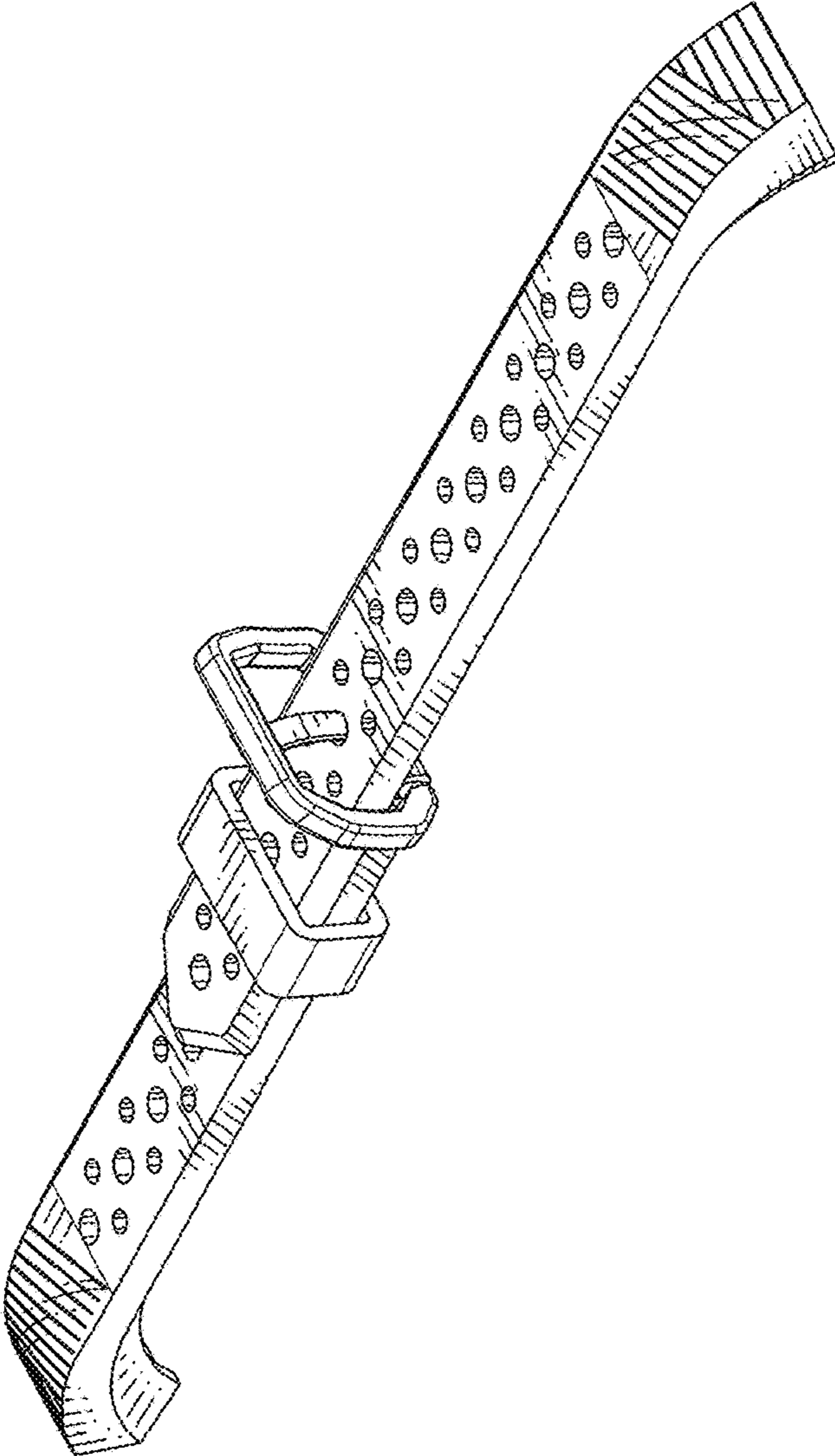


Fig.1

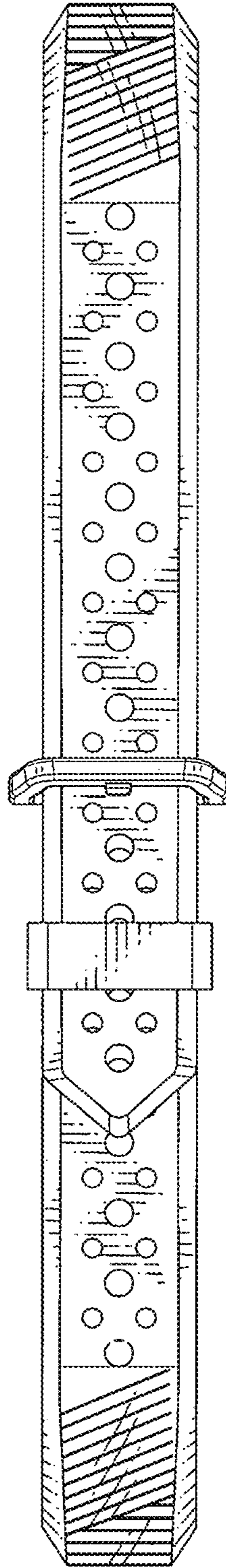


Fig. 2

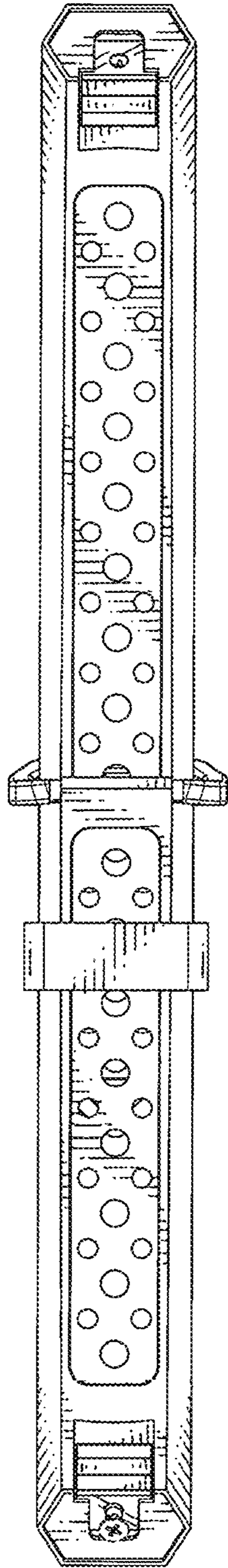


Fig.3

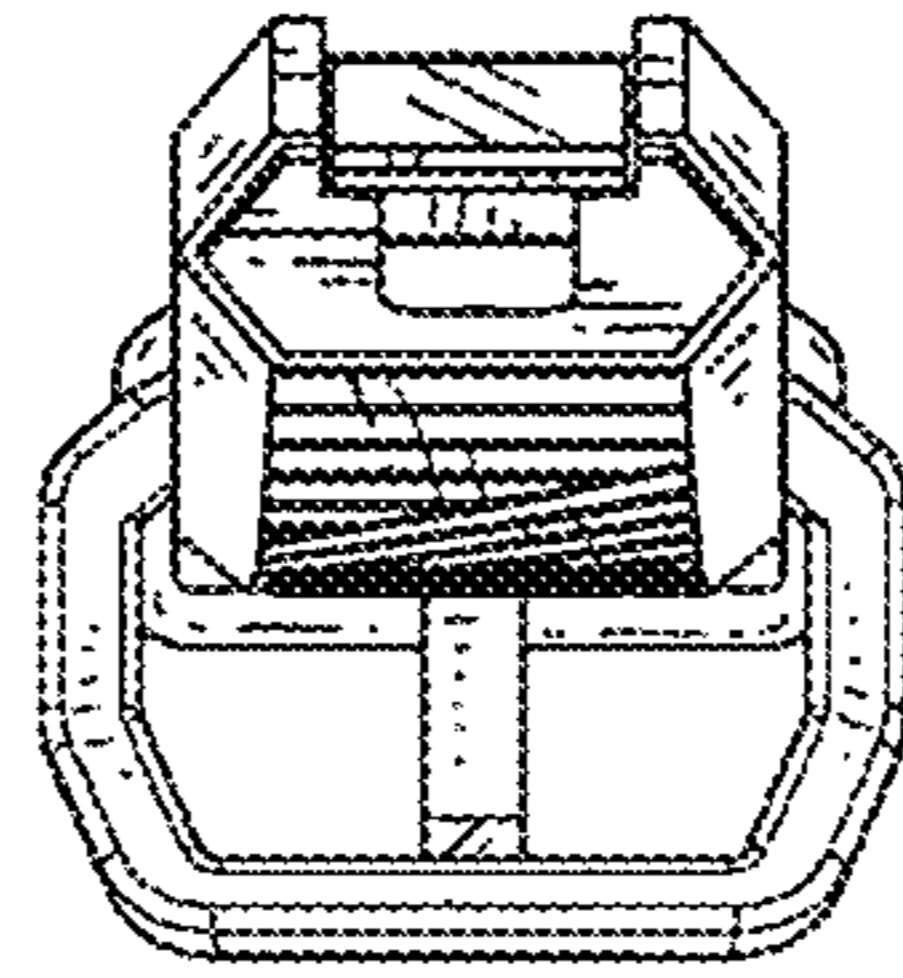


Fig. 5

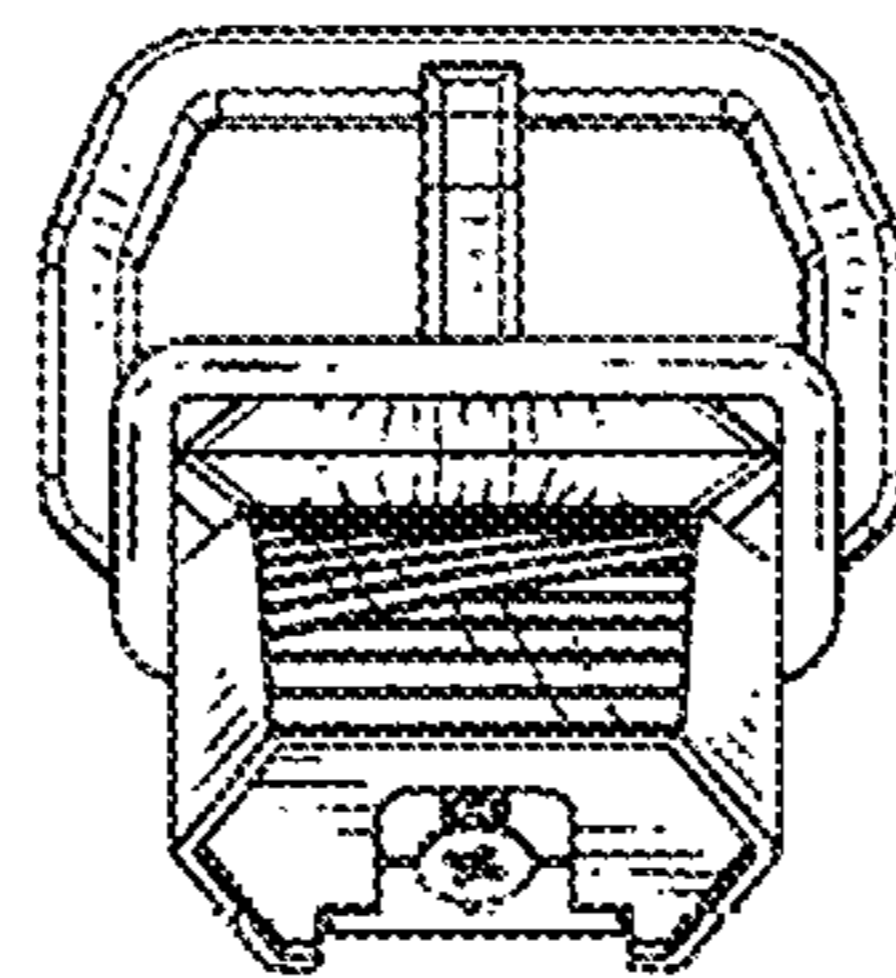


Fig. 4

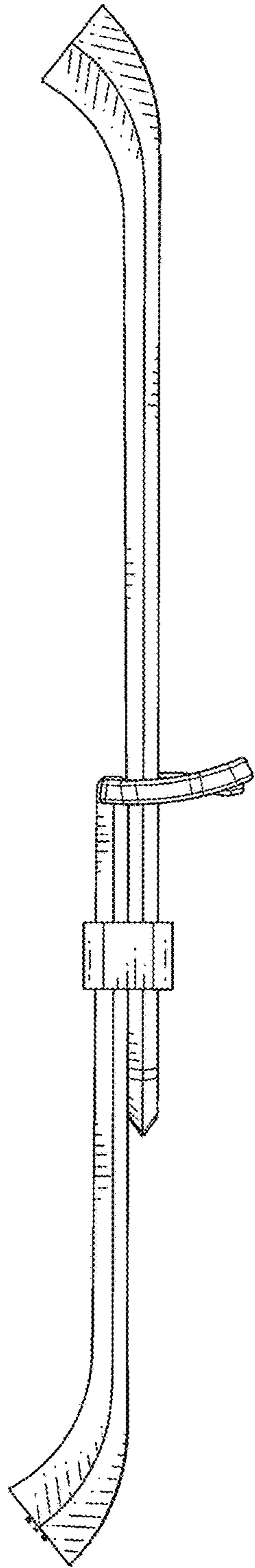


Fig. 6

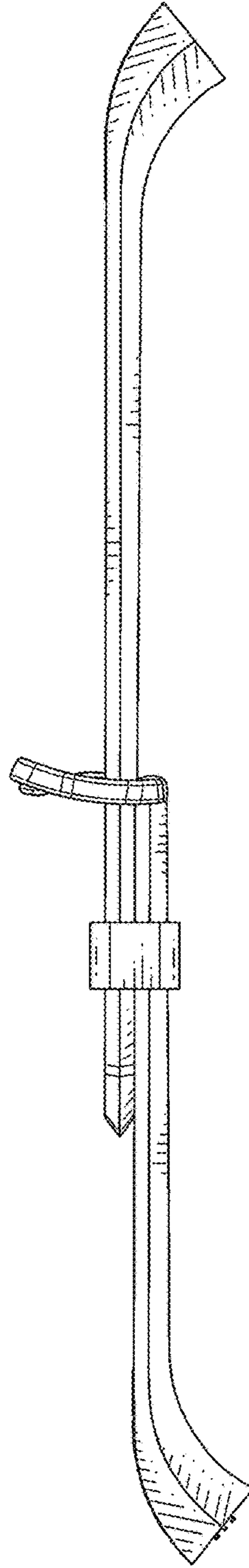


Fig. 7