



US00D842155S

(12) **United States Design Patent**
Mogridge et al.

(10) **Patent No.:** **US D842,155 S**
(45) **Date of Patent:** **** Mar. 5, 2019**

- (54) **VEHICLE RADAR REFLECTOR**
- (71) Applicant: **iLUMAWARE, LLC**, Plano, TX (US)
- (72) Inventors: **Chris Mogridge**, Ogden, UT (US);
Alexis Stobbe, Oxford, MS (US)
- (73) Assignee: **iLUMAWARE, LLC**, Plano, TX (US)
- (**) Term: **15 Years**
- (21) Appl. No.: **29/619,305**
- (22) Filed: **Sep. 28, 2017**
- (51) **LOC (11) Cl.** **10-05**
- (52) **U.S. Cl.**
USPC **D10/111**
- (58) **Field of Classification Search**
USPC D10/111, 114.6
CPC B62J 3/00; B62J 6/00; B62J 23/00; B62J
2099/008; B62J 2099/0086; B62J
2099/0093
See application file for complete search history.

- (56) **References Cited**
U.S. PATENT DOCUMENTS
3,905,681 A * 9/1975 Nagel G02B 5/12
116/28 R

* cited by examiner

Primary Examiner — Antoine Duval Davis
(74) *Attorney, Agent, or Firm* — Conley Rose, P.C.; Grant Rodolph; Robert E. Kent

(57) **CLAIM**

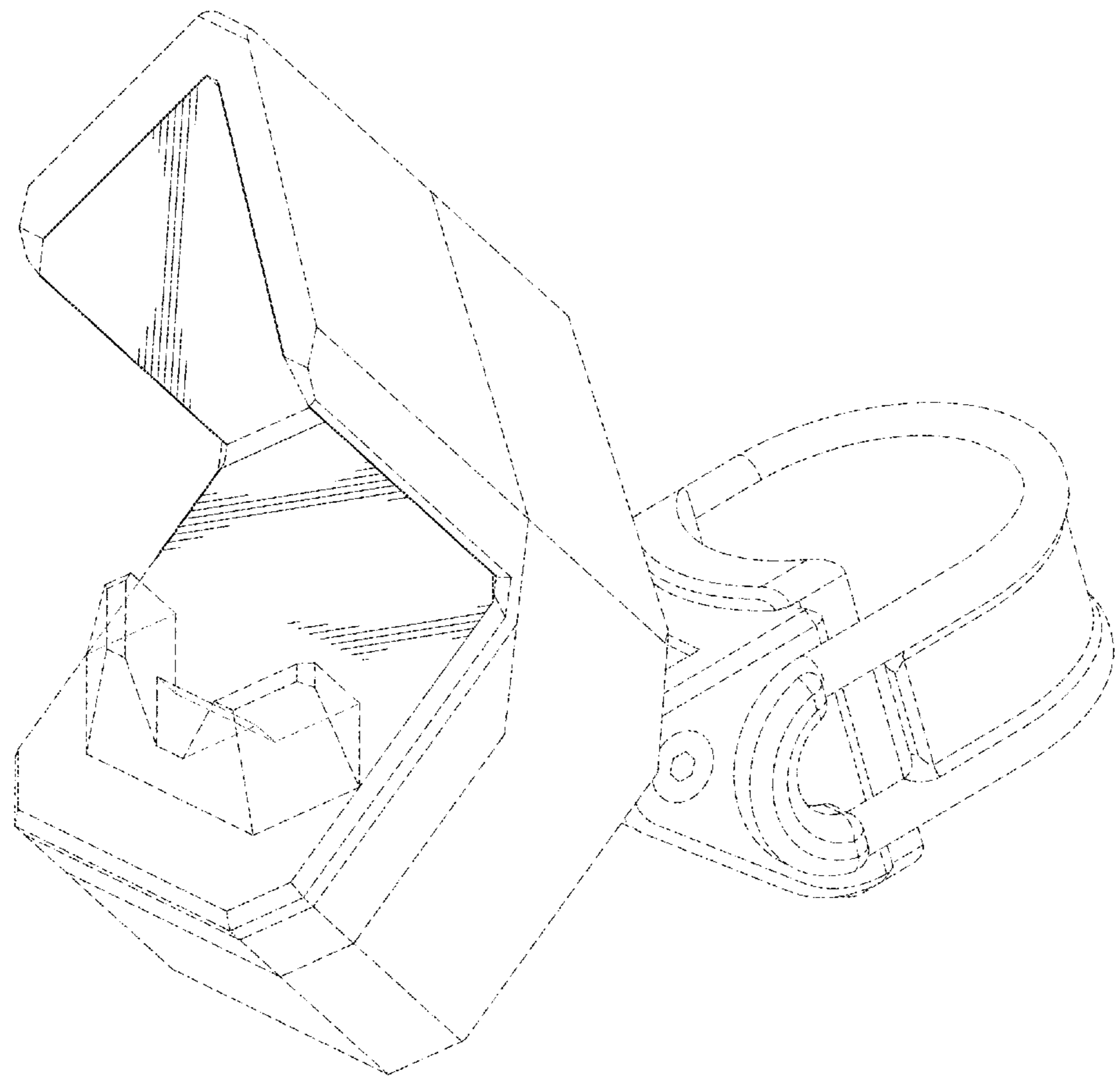
The ornamental design for a vehicle radar reflector, as shown and described.

DESCRIPTION

FIG. 1 is a rear-top perspective view of a vehicle radar reflector, as depicted in solid lines;
 FIG. 2 is a rear elevation view thereof;
 FIG. 3 is a front elevation view thereof;
 FIG. 4 is a side elevation view thereof;
 FIG. 5 is a side elevation view thereof, for the side opposite that of FIG. 4;
 FIG. 6 is a top elevation view thereof;
 FIG. 7 is a bottom elevation view thereof;
 FIG. 8 is a rear-bottom perspective view thereof; and,
 FIG. 9 is a perspective view thereof.

The broken lines shown in the drawings are only provided to illustrate the environment of the design, and form no part of the claimed design.

1 Claim, 7 Drawing Sheets



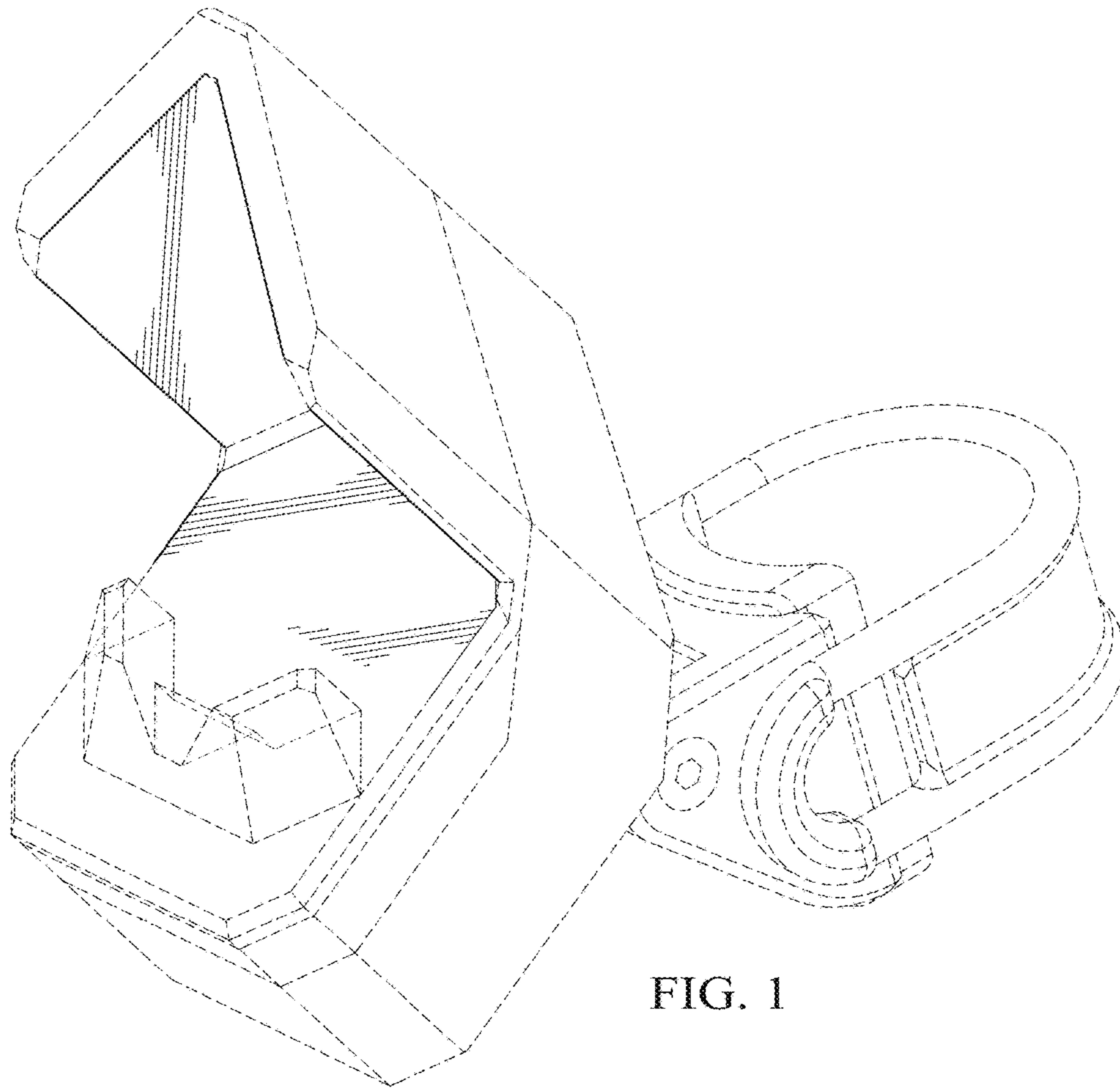


FIG. 1

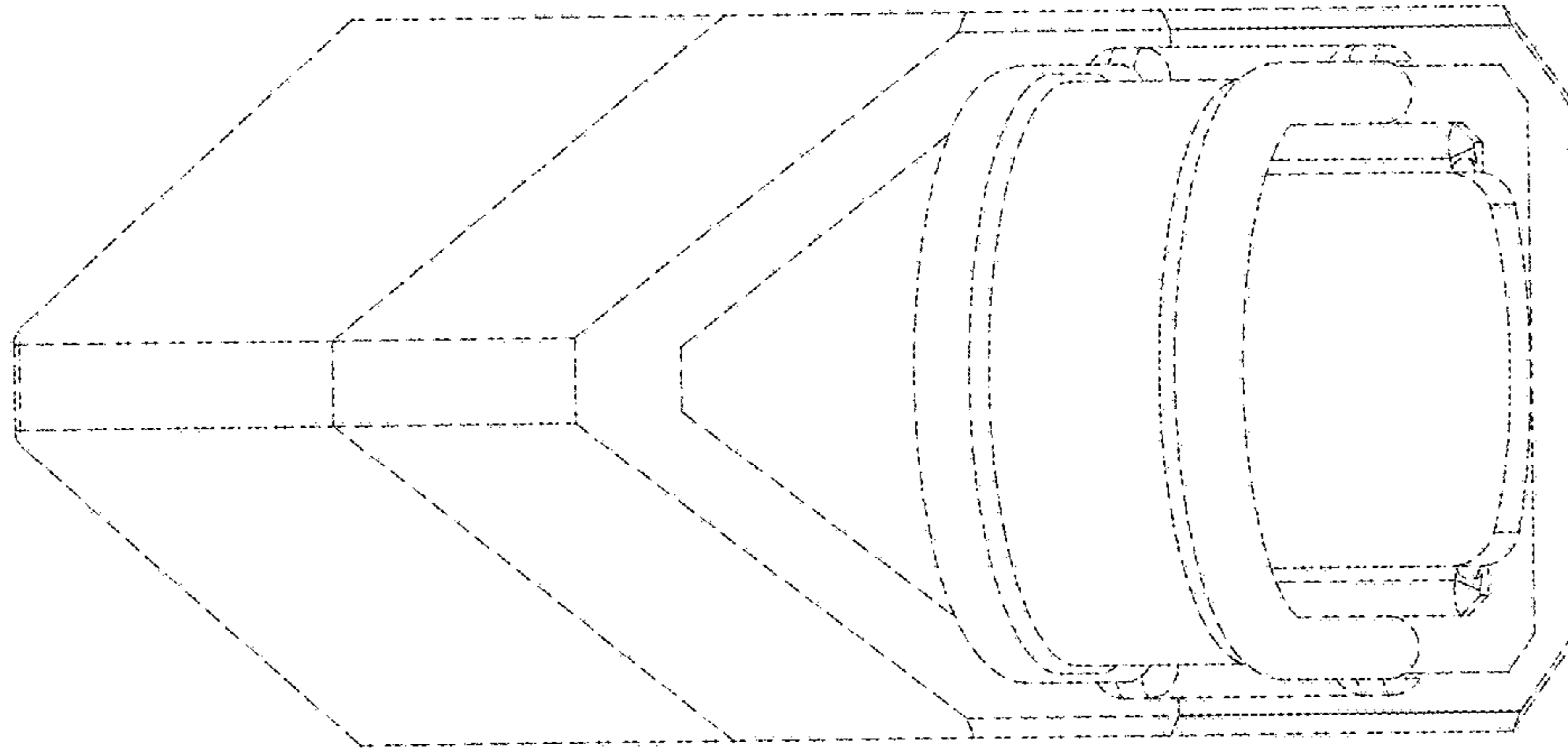


FIG. 3

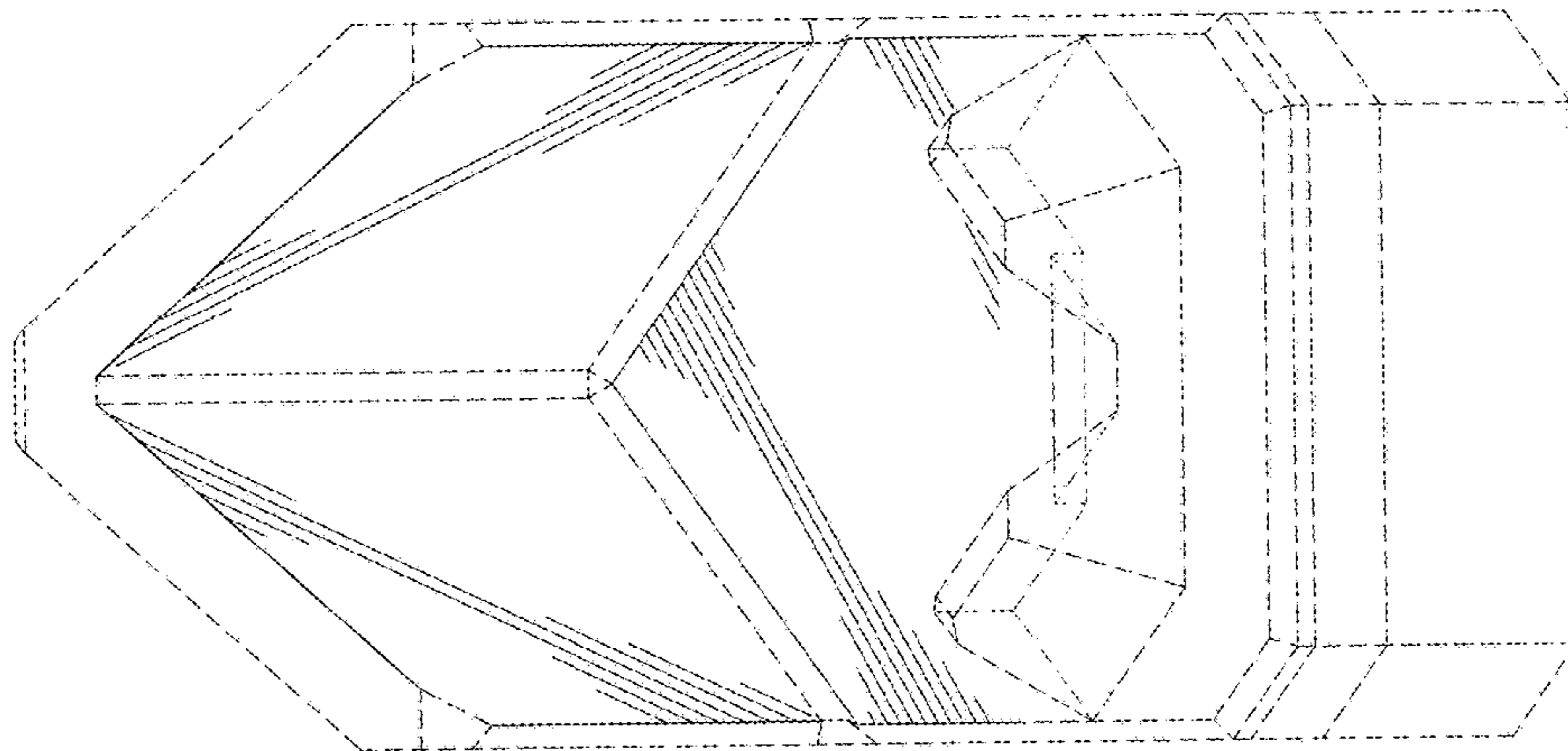


FIG. 2

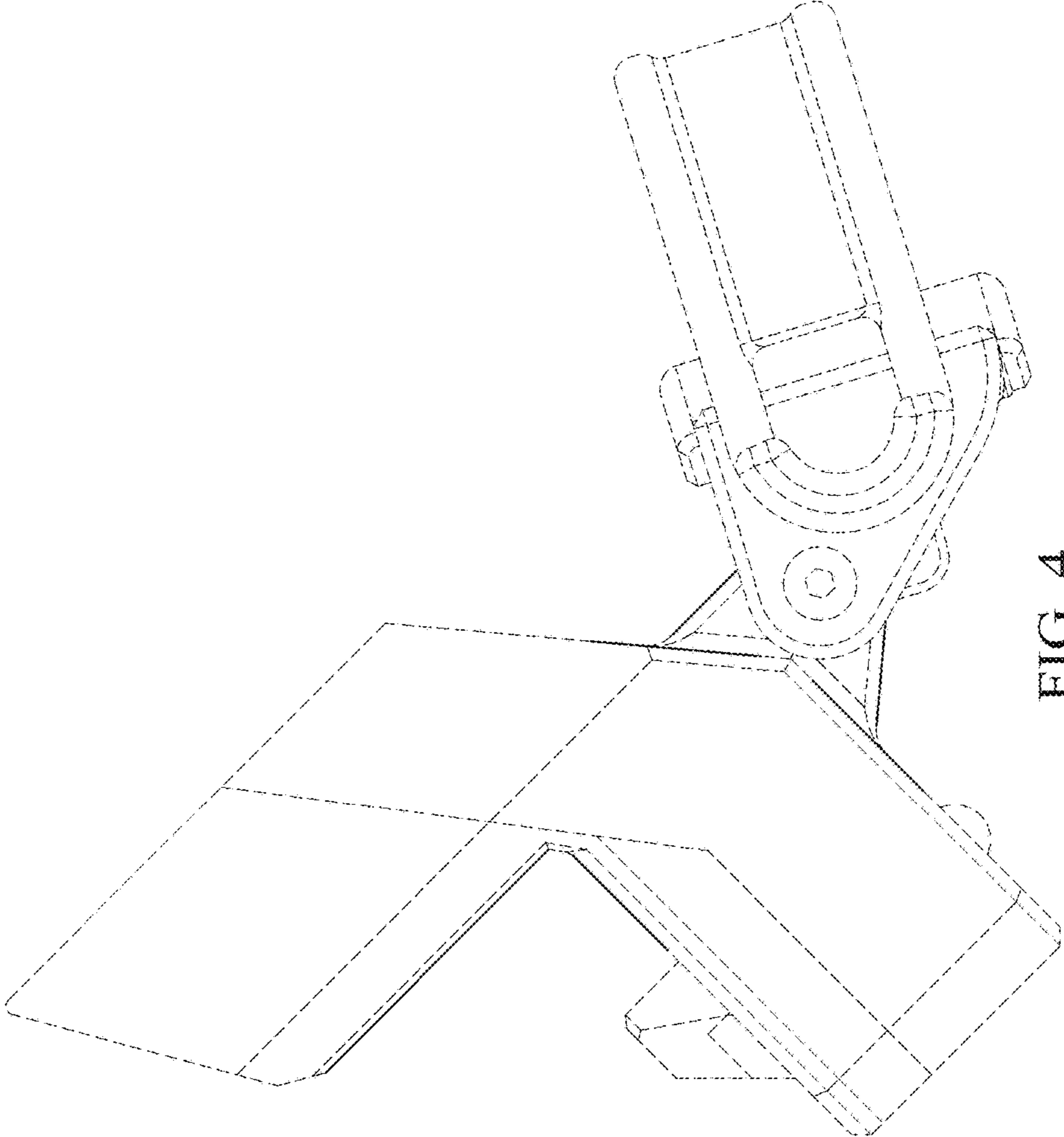


FIG. 4

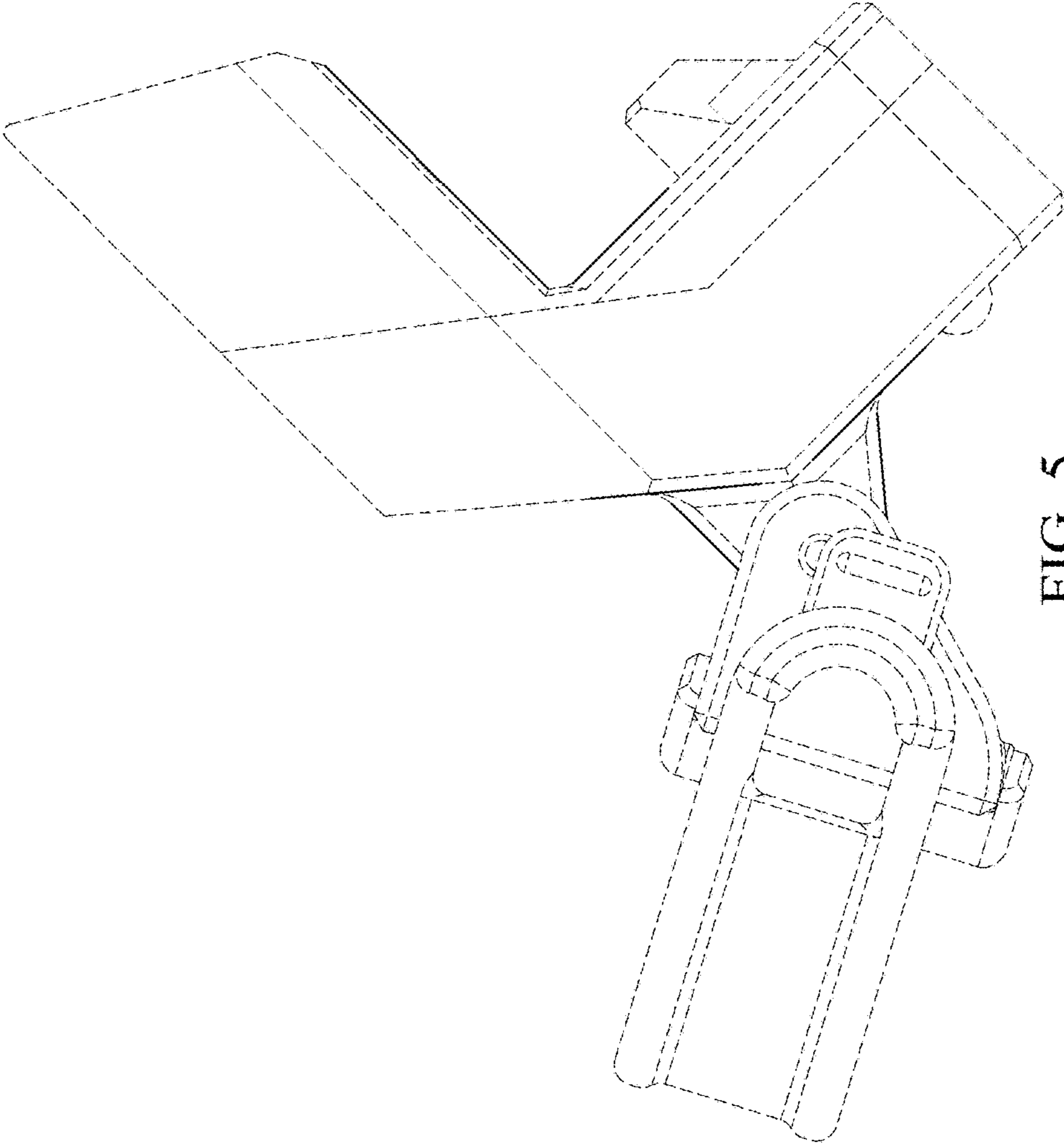


FIG. 5

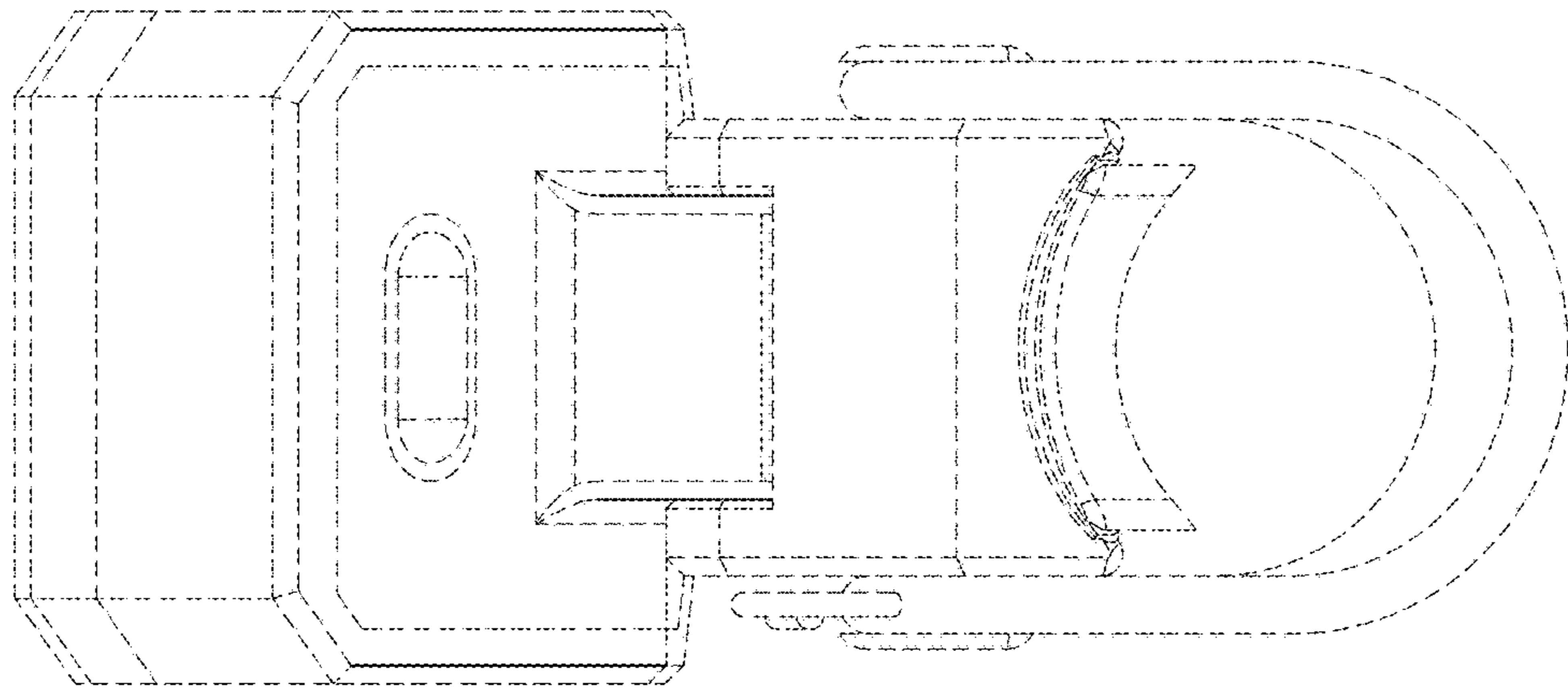


FIG. 7

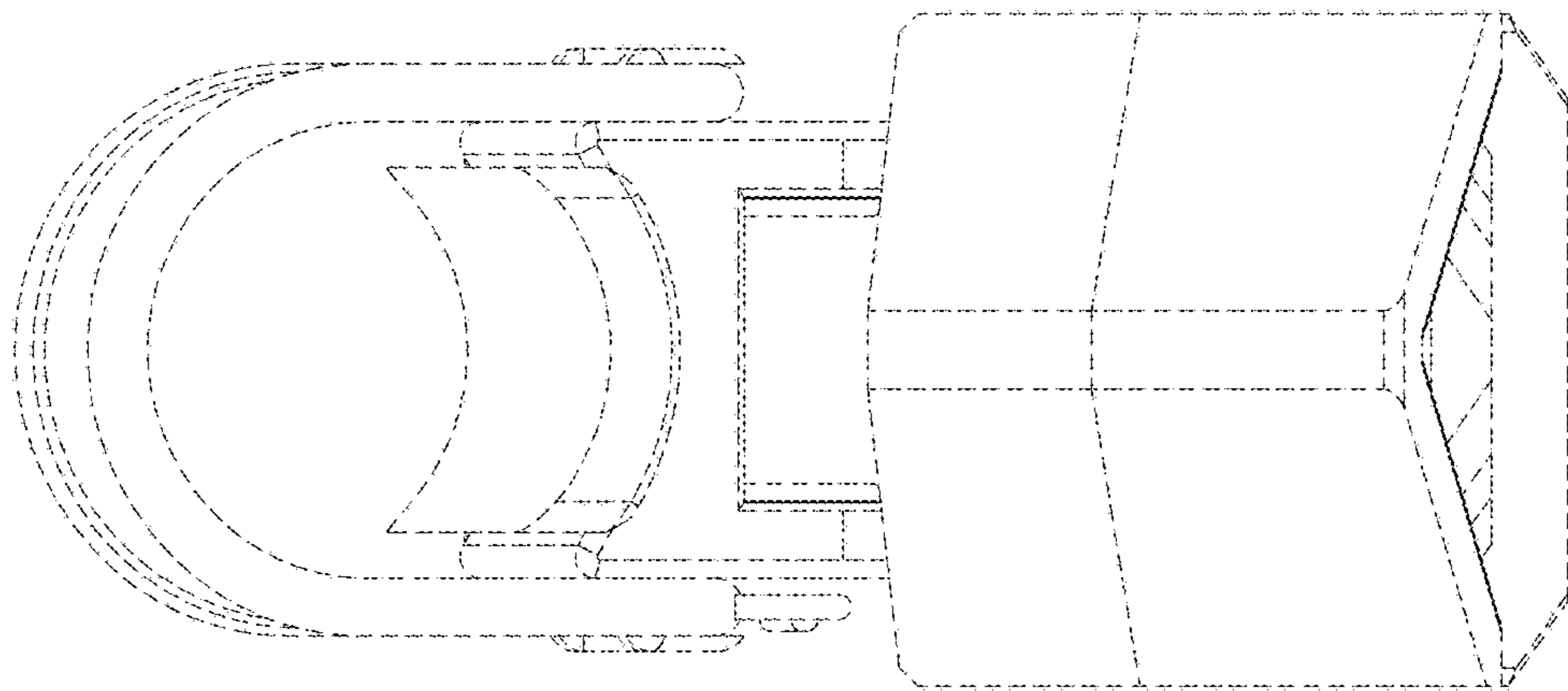


FIG. 6

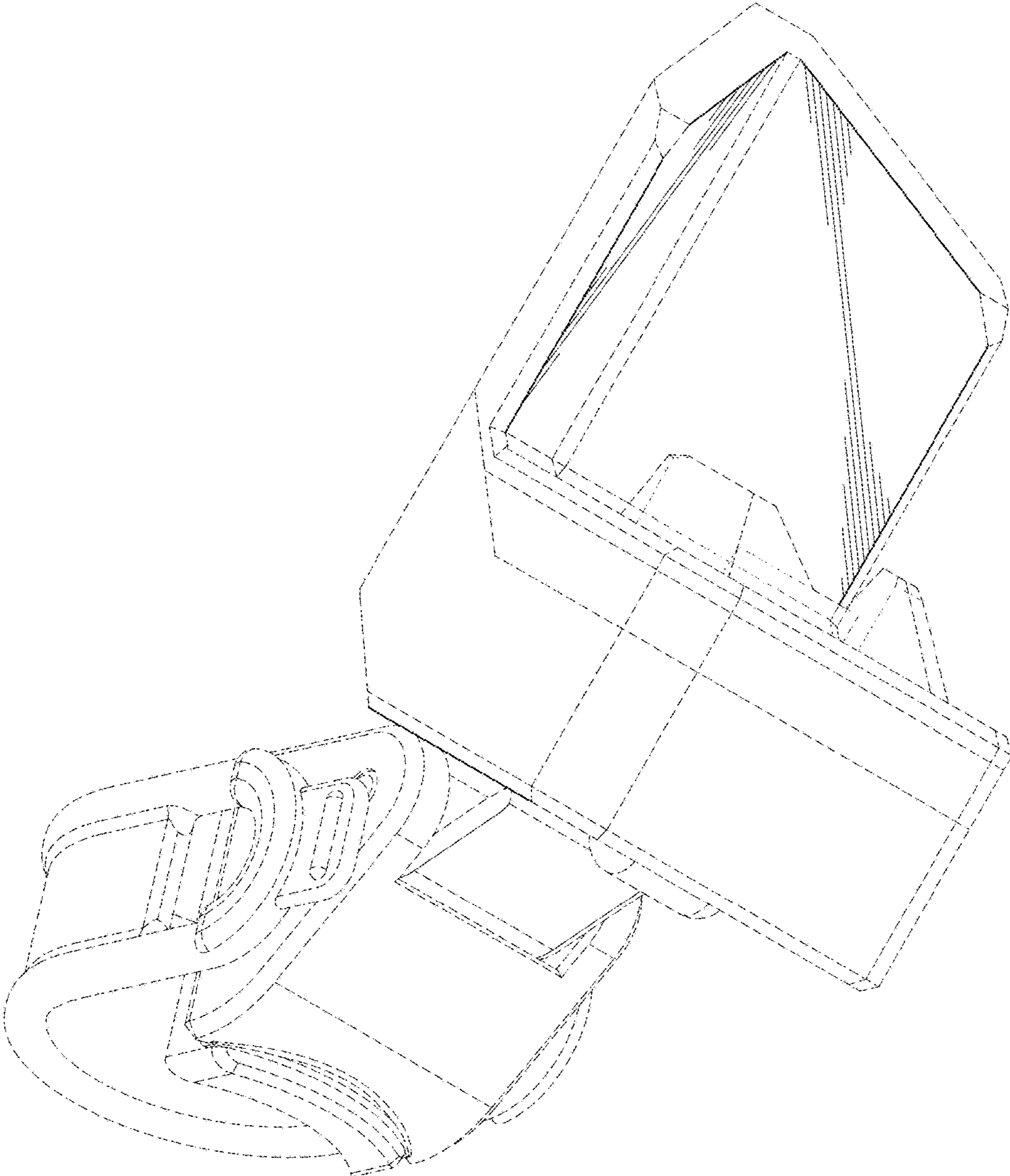


FIG. 8

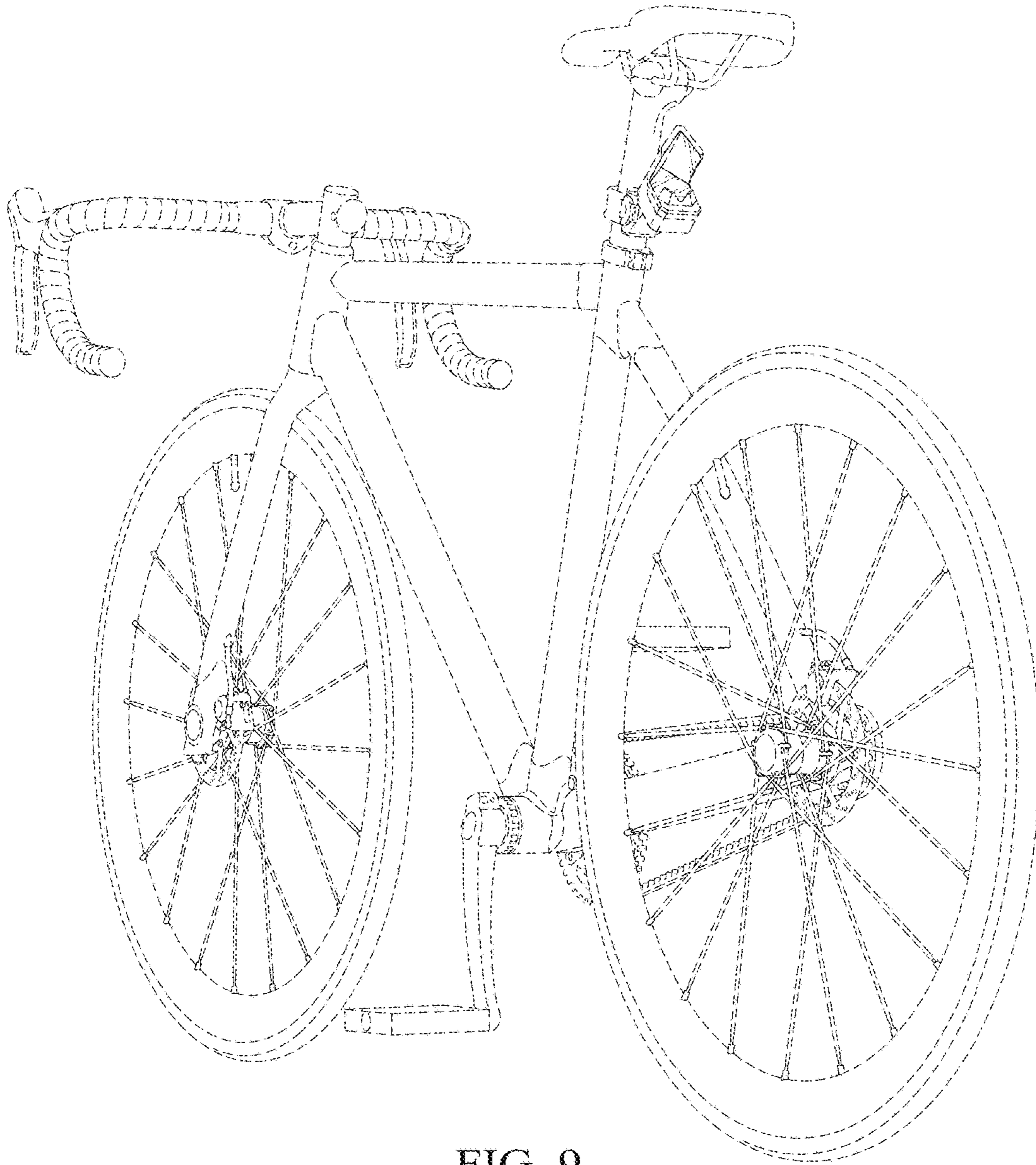


FIG. 9