



US00D842150S

(12) **United States Design Patent** (10) **Patent No.:** **US D842,150 S**
Worden et al. (45) **Date of Patent:** **** Mar. 5, 2019**

(54) **SENSOR ASSEMBLY** D403,606 S * 1/1999 Paton, Jr. D10/103
7,787,330 B1 * 8/2010 Reid G01F 23/00
367/141

(71) Applicant: **General Electric Company,**
Schenectady, NY (US)

* cited by examiner

(72) Inventors: **Bret Worden,** Erie, PA (US); **Jingjun Zhang,** Lawrence Park, PA (US); **David Petersen,** Erie, PA (US)

Primary Examiner — George D. Kirschbaum
(74) *Attorney, Agent, or Firm* — Christopher R. Carroll;
The Small Patent Law Group LLC

(73) Assignee: **General Electric Company,**
Schenectady, NY (US)

(57) **CLAIM**

The ornamental design for a sensor assembly, as shown and described.

(**) Term: **15 Years**

(21) Appl. No.: **29/589,735**

DESCRIPTION

(22) Filed: **Jan. 4, 2017**

Related U.S. Application Data

(60) Division of application No. 29/548,993, filed on Dec. 18, 2015, now Pat. No. Des. 778,189, which is a continuation-in-part of application No. 14/869,038, filed on Sep. 29, 2015.

FIG. 1 is a front perspective view of a sensor assembly according to a first embodiment of the subject matter described herein;

FIG. 2 is a rear perspective view of the sensor assembly according to the first embodiment of the subject matter described herein;

FIG. 3 is a rear view of the sensor assembly according to the first embodiment of the subject matter described herein;

FIG. 4 is a front view of the sensor assembly according to the first embodiment of the subject matter described herein;

FIG. 5 is a left view of the sensor assembly according to the first embodiment of the subject matter described herein;

FIG. 6 is a right view of the sensor assembly according to the first embodiment of the subject matter described herein;

FIG. 7 is a top view of the sensor assembly according to the first embodiment of the subject matter described herein; and,

FIG. 8 is a bottom view of the sensor assembly according to the first embodiment of the subject matter described herein.

The broken lines depict portions of the sensor assembly which form no part of the claimed design.

(51) **LOC (11) Cl.** **10-04**

(52) **U.S. Cl.**
USPC **D10/103**

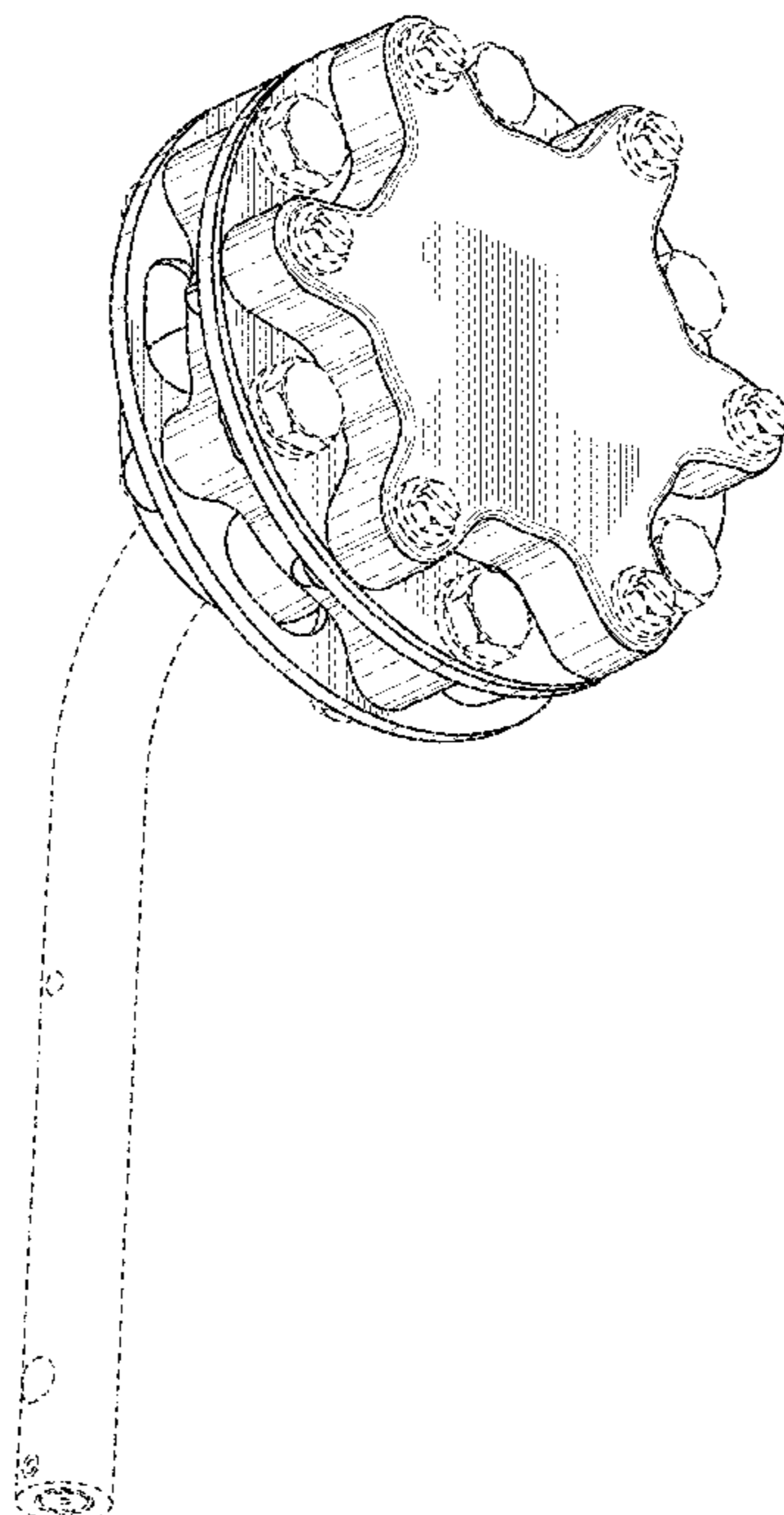
(58) **Field of Classification Search**
USPC D10/103, 99, 100, 104.1; D13/184
CPC G01F 23/00
See application file for complete search history.

(56) **References Cited**

U.S. PATENT DOCUMENTS

D218,009 S * 7/1970 Bosack D10/103
D219,617 S * 12/1970 Swift et al. D10/103

1 Claim, 7 Drawing Sheets



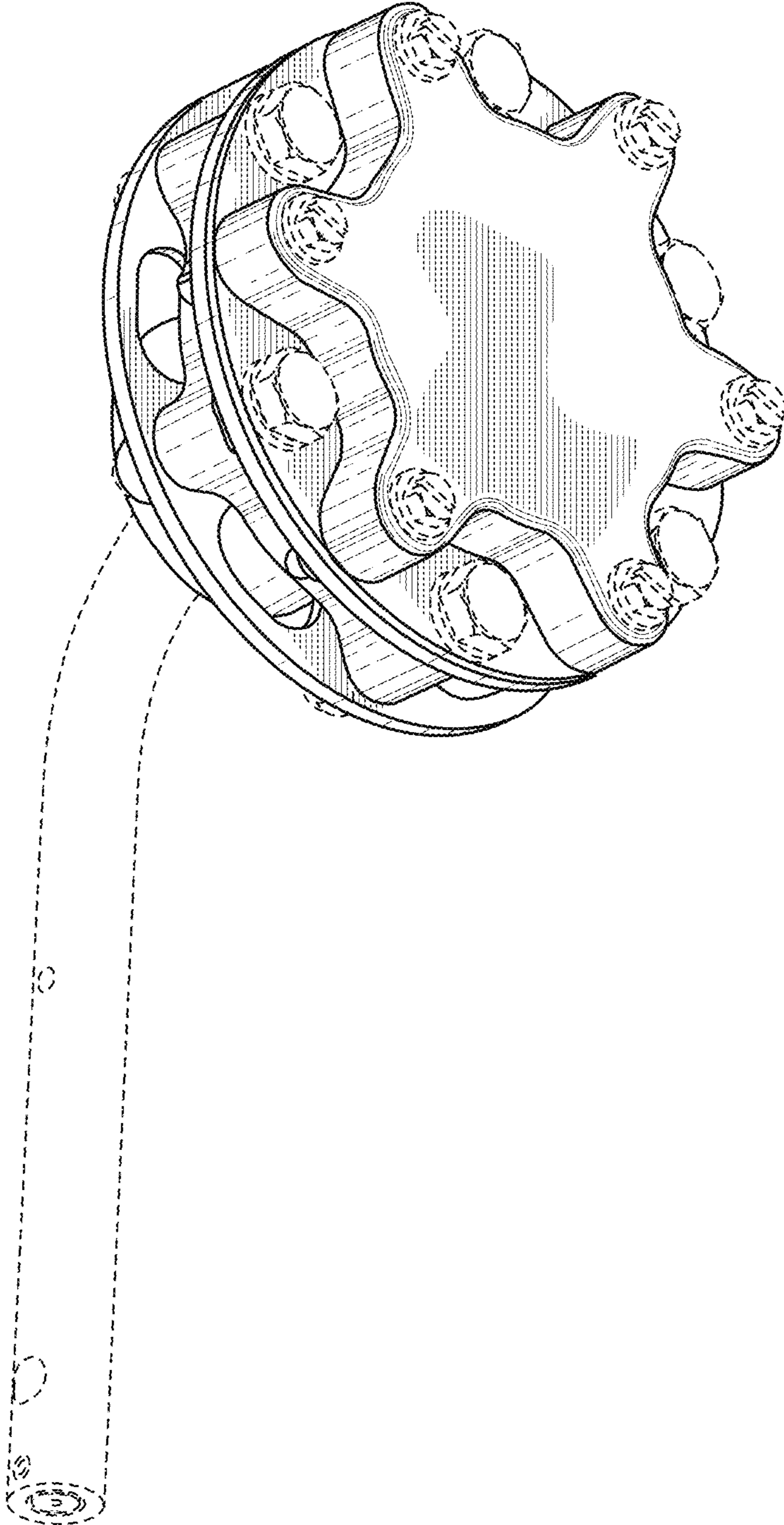


FIG. 1

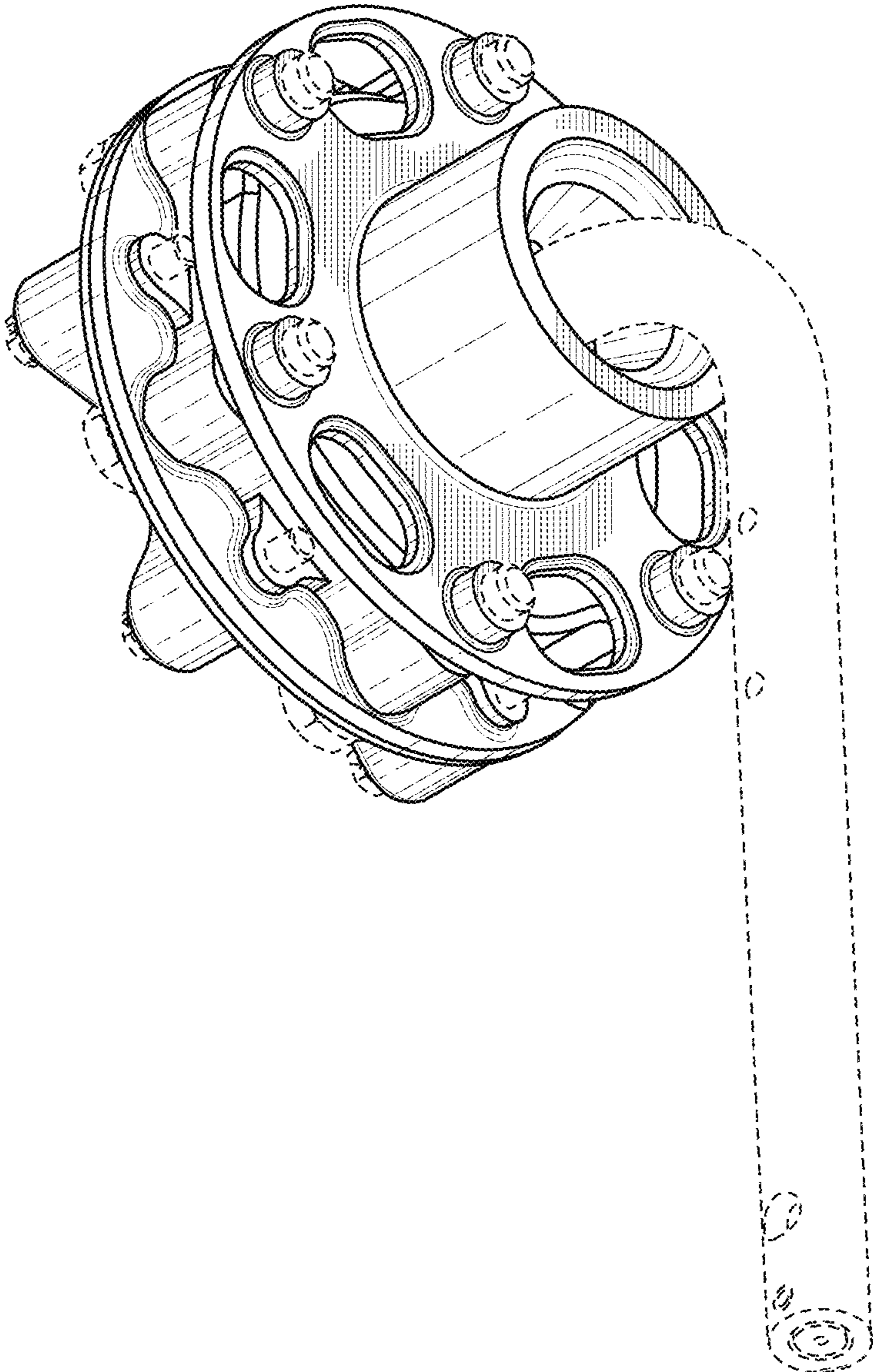


FIG. 2

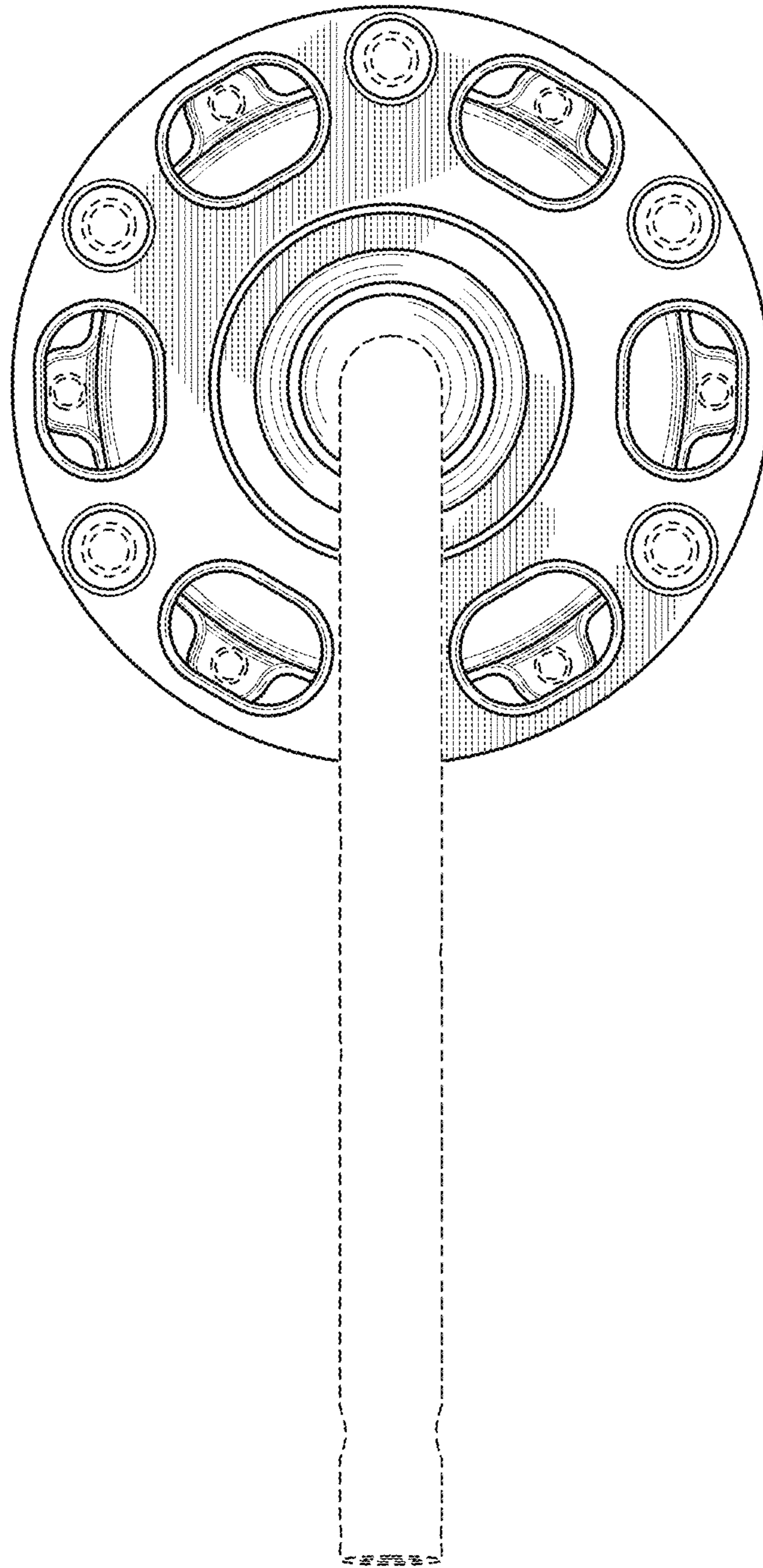


FIG. 3

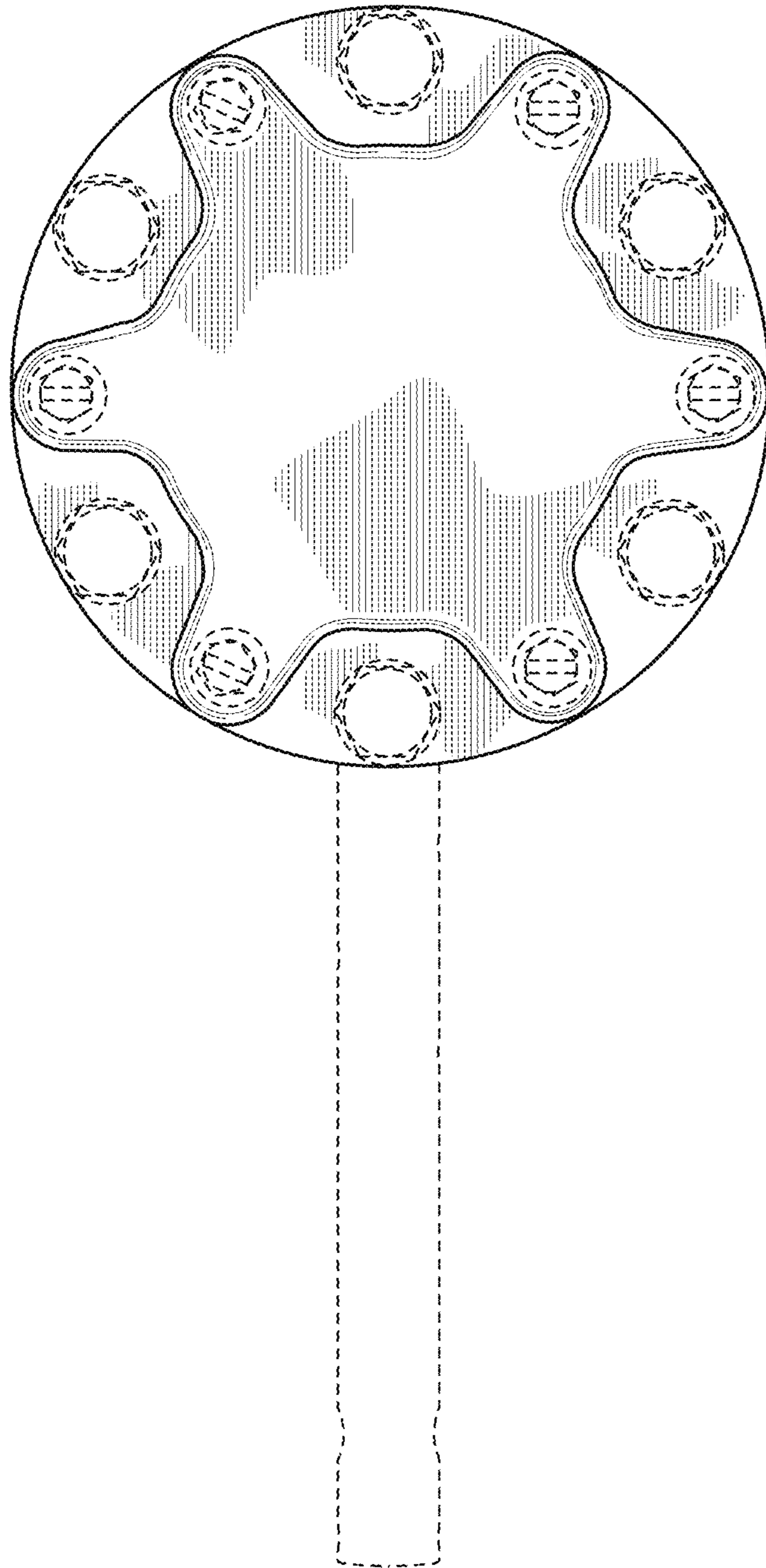


FIG. 4

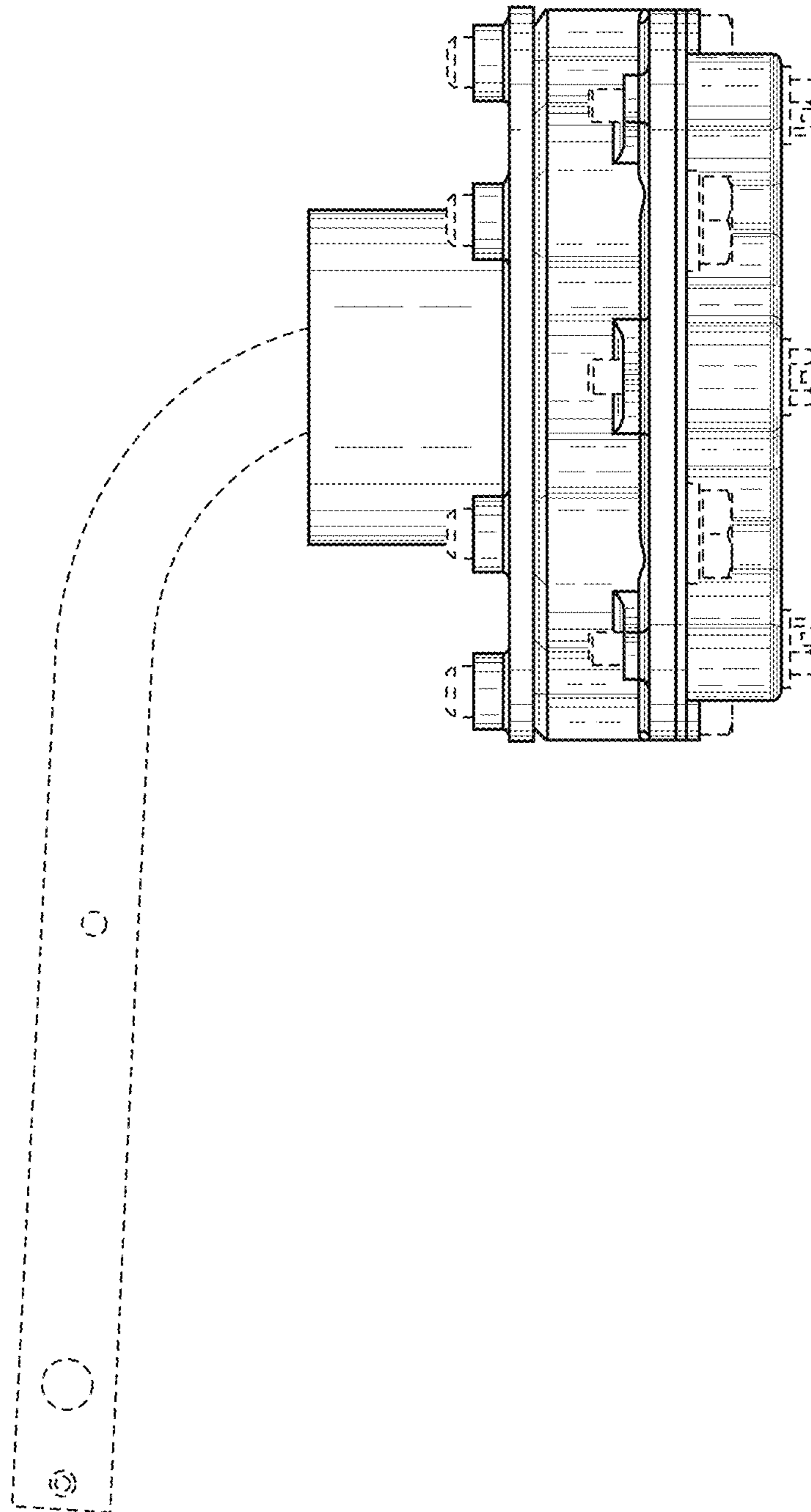


FIG. 5

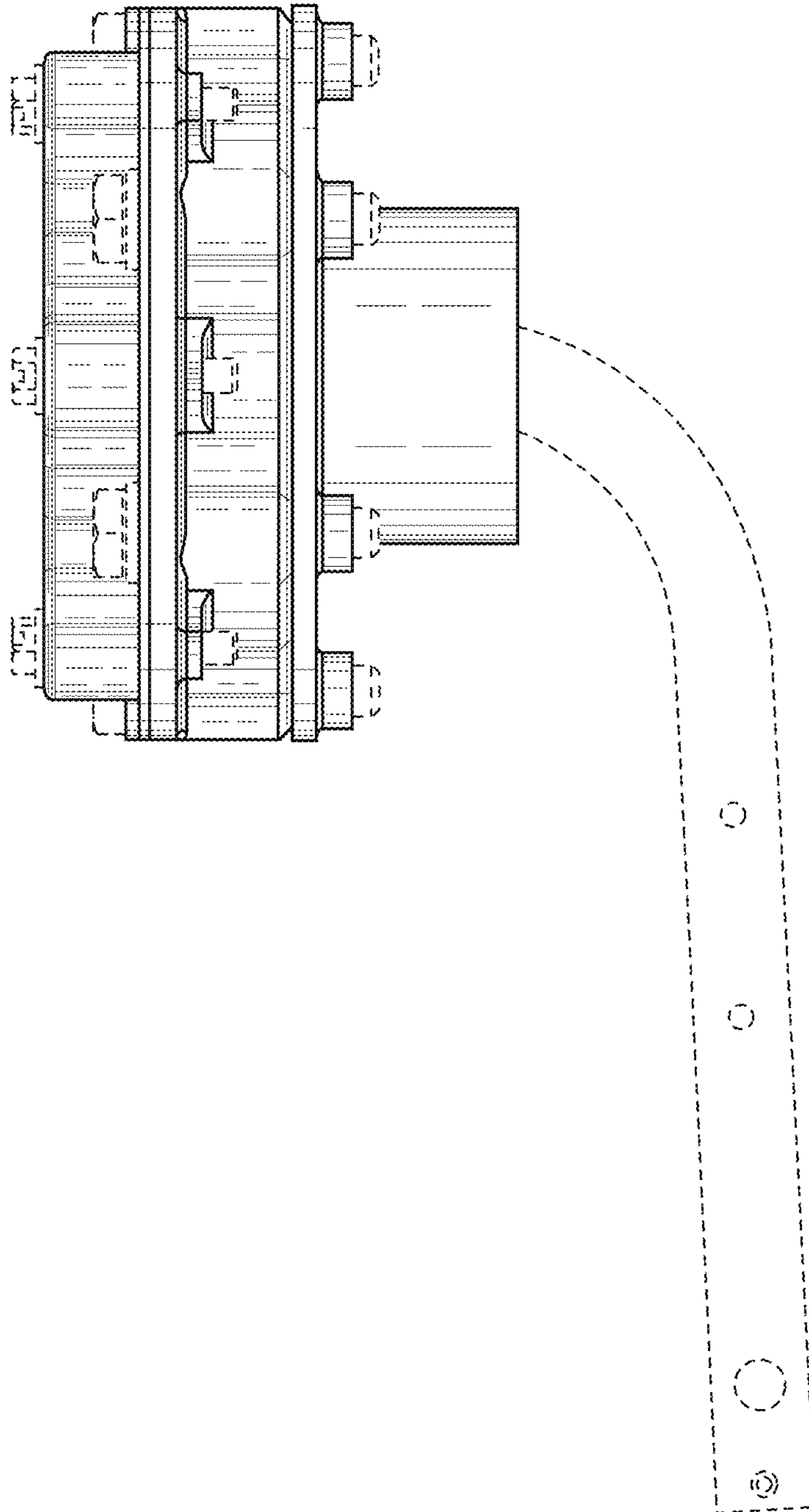


FIG. 6

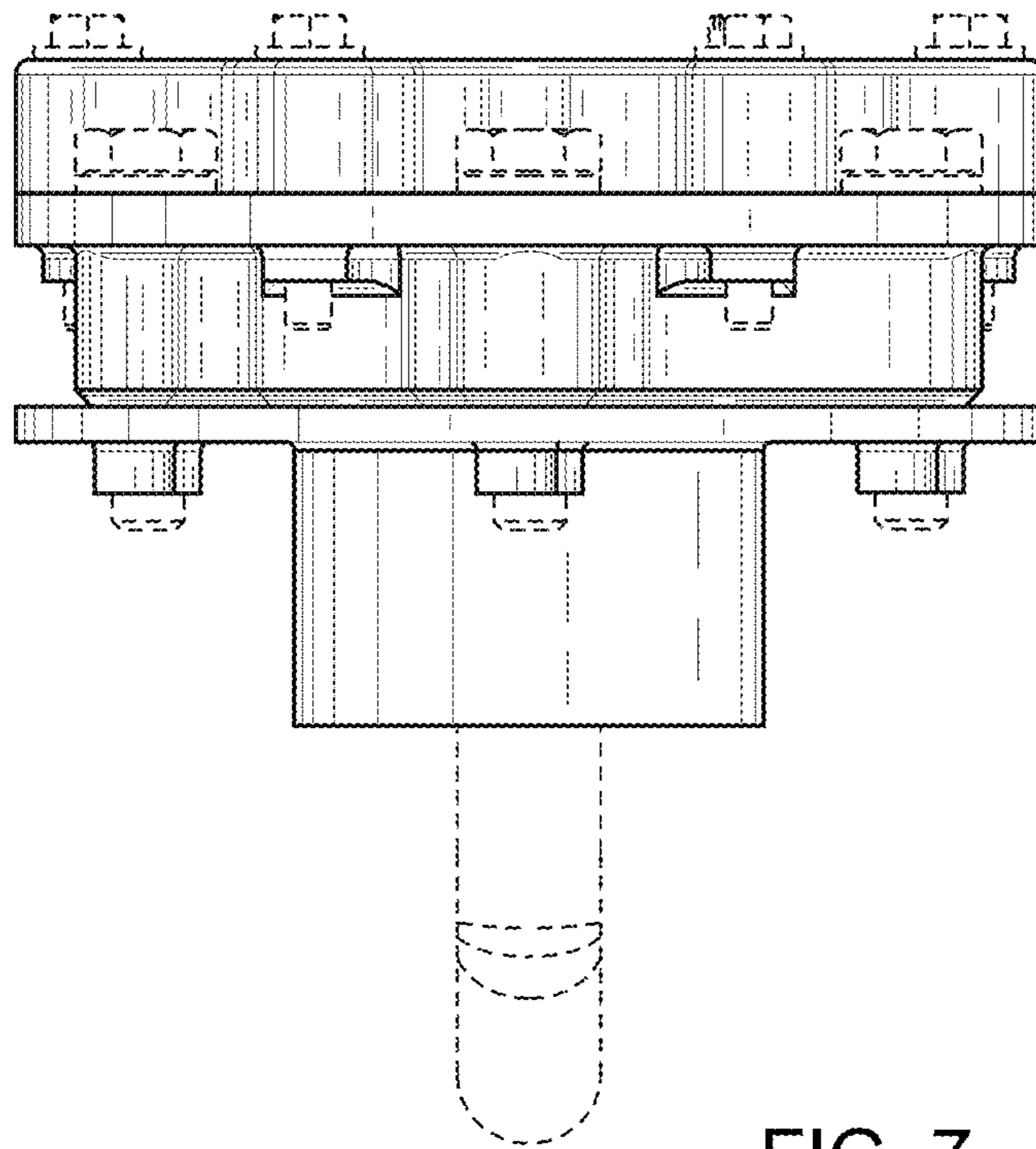


FIG. 7

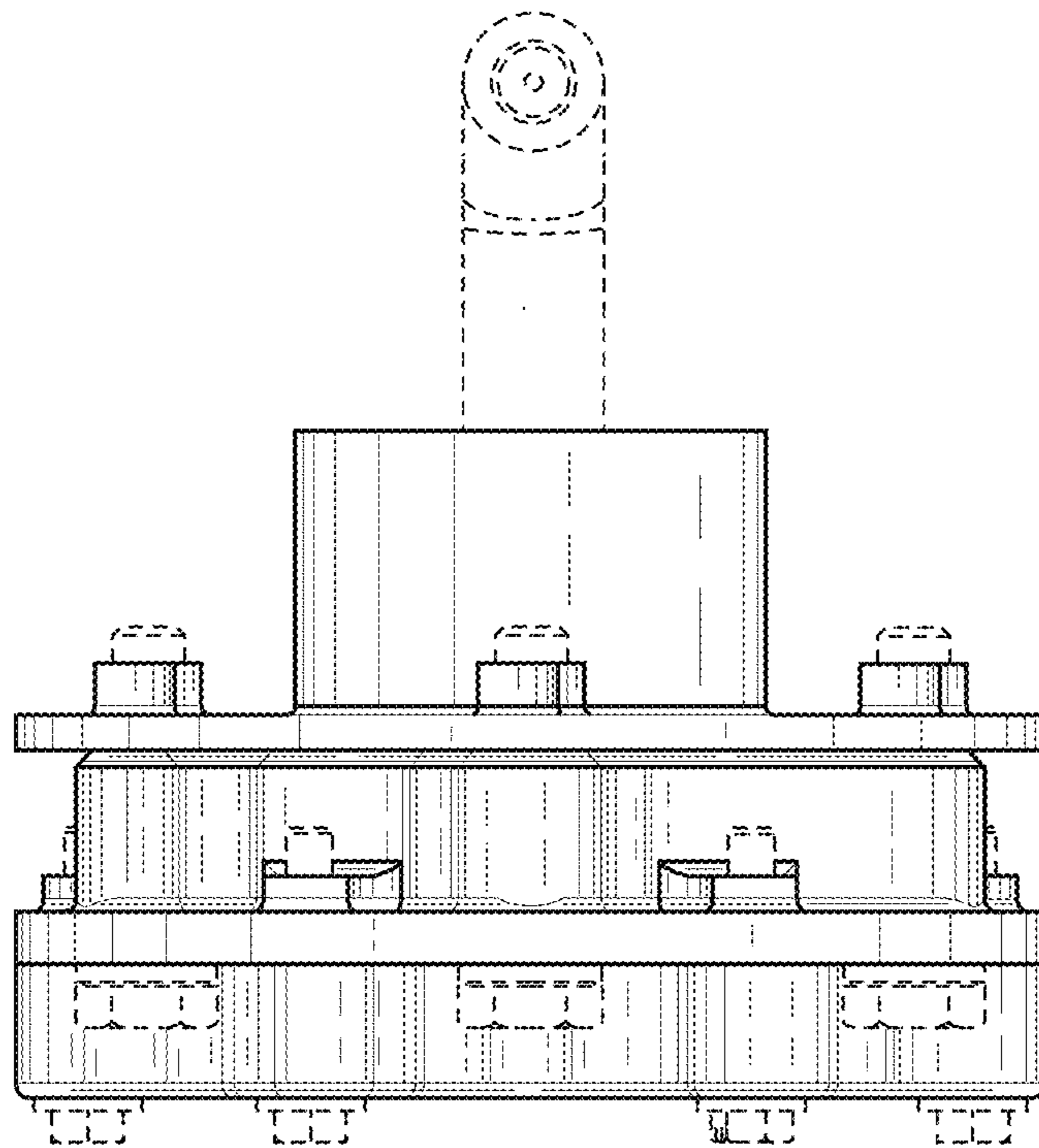


FIG. 8