



US00D842149S

(12) **United States Design Patent**
Haag

(10) **Patent No.:** **US D842,149 S**
(45) **Date of Patent:** **** Mar. 5, 2019**

(54) **OPERATING DEVICE WITH DISPLAY**

(71) Applicant: **Robert Bosch GmbH**, Stuttgart (DE)

(72) Inventor: **Frieder Haag**, Wannweil (DE)

(73) Assignee: **Robert Bosch GmbH**, Stuttgart (DE)

(**) Term: **15 Years**

(21) Appl. No.: **29/630,718**

(22) Filed: **Dec. 22, 2017**

(30) **Foreign Application Priority Data**

Jun. 23, 2017 (EM) 004063360

(51) **LOC (11) Cl.** **10-04**

(52) **U.S. Cl.**
USPC **D10/98; D13/168**

(58) **Field of Classification Search**
USPC 10/70, 98, 103; D13/162, 168
CPC B62K 21/12; B62K 21/125; B62K 21/16;
B62K 23/02; B62K 23/04; B62K 23/06;
B62K 11/14; B62M 25/02; B62M 25/08;
B62J 99/00; G01C 22/00
See application file for complete search history.

(56) **References Cited**

U.S. PATENT DOCUMENTS

5,900,705 A * 5/1999 Kimura B62H 5/08
180/221
6,523,772 B2 * 2/2003 Ueno B62M 25/02
191/12 R
D711,756 S * 8/2014 Dasbach D10/103
D725,610 S * 3/2015 Dasbach D10/98
2003/0234163 A1 * 12/2003 Ichida B62J 11/00
200/4

2014/0139977 A1 * 5/2014 Kosaka B62K 23/02
361/679.01
2016/0195933 A1 * 7/2016 Yang B62K 23/06
345/156
2018/0203488 A1 * 7/2018 Hawkins, III G06F 1/1656

* cited by examiner

Primary Examiner — Selina Sikder

(74) *Attorney, Agent, or Firm* — Maginot, Moore & Beck
LLP

(57) **CLAIM**

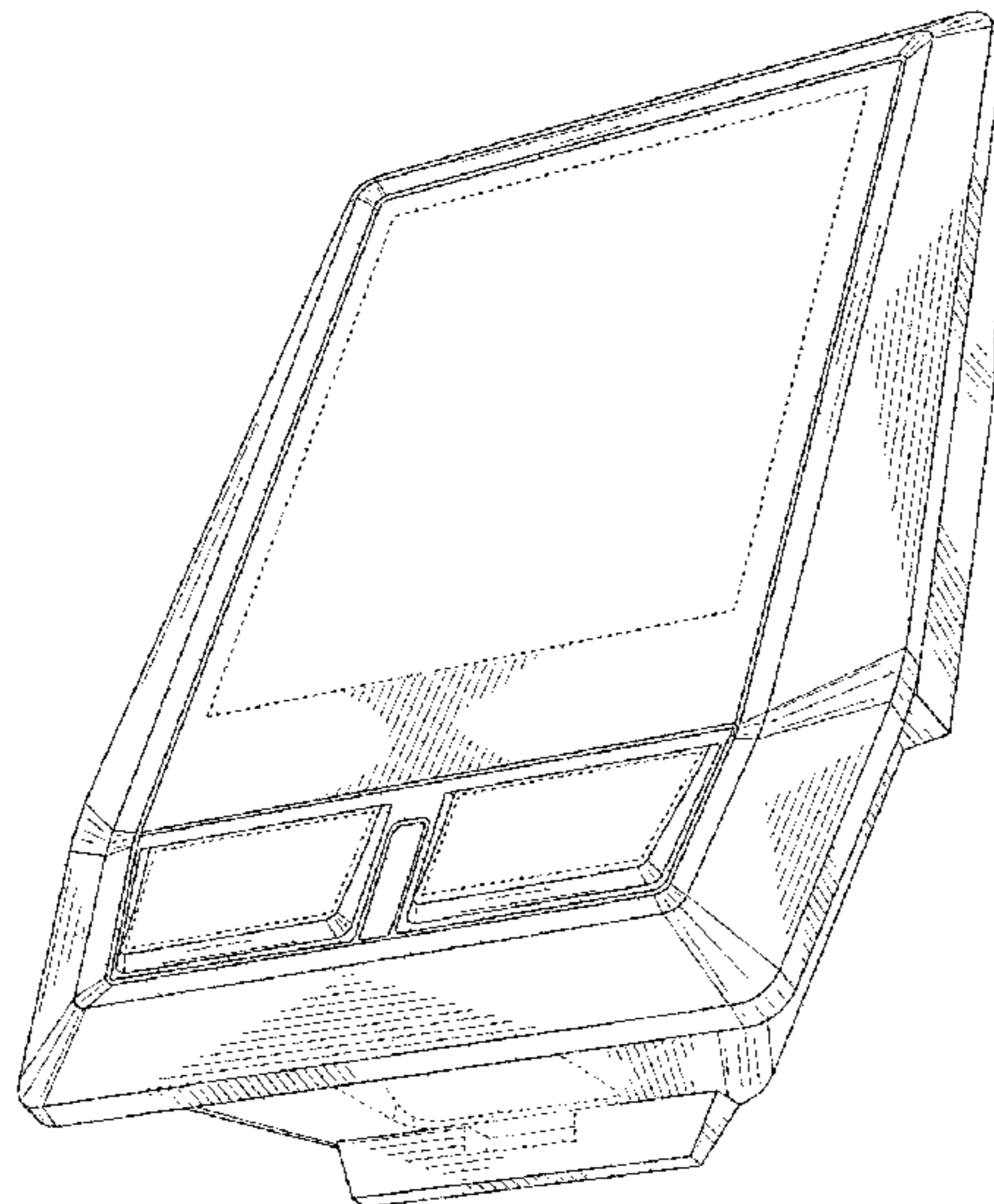
The ornamental design for a operating device with display,
as shown and described.

DESCRIPTION

FIG. 1 is a perspective view of a operating device with display showing my new design;
FIG. 2 is a front elevational view of the operating device with display of FIG. 1;
FIG. 3 is a rear elevational view of the operating device with display of FIG. 1;
FIG. 4 is a left side elevational view of the operating device with display of FIG. 1;
FIG. 5 is a right side elevational view of the operating device with display of FIG. 1;
FIG. 6 is a top plan view of the operating device with display of FIG. 1; and,
FIG. 7 is a bottom plan view of the operating device with display of FIG. 1.

The broken lines in the drawings depict portions of the controller that form no part of the claimed design. The broken lines immediately adjacent to shaded surfaces form a boundary of the claim.

1 Claim, 7 Drawing Sheets



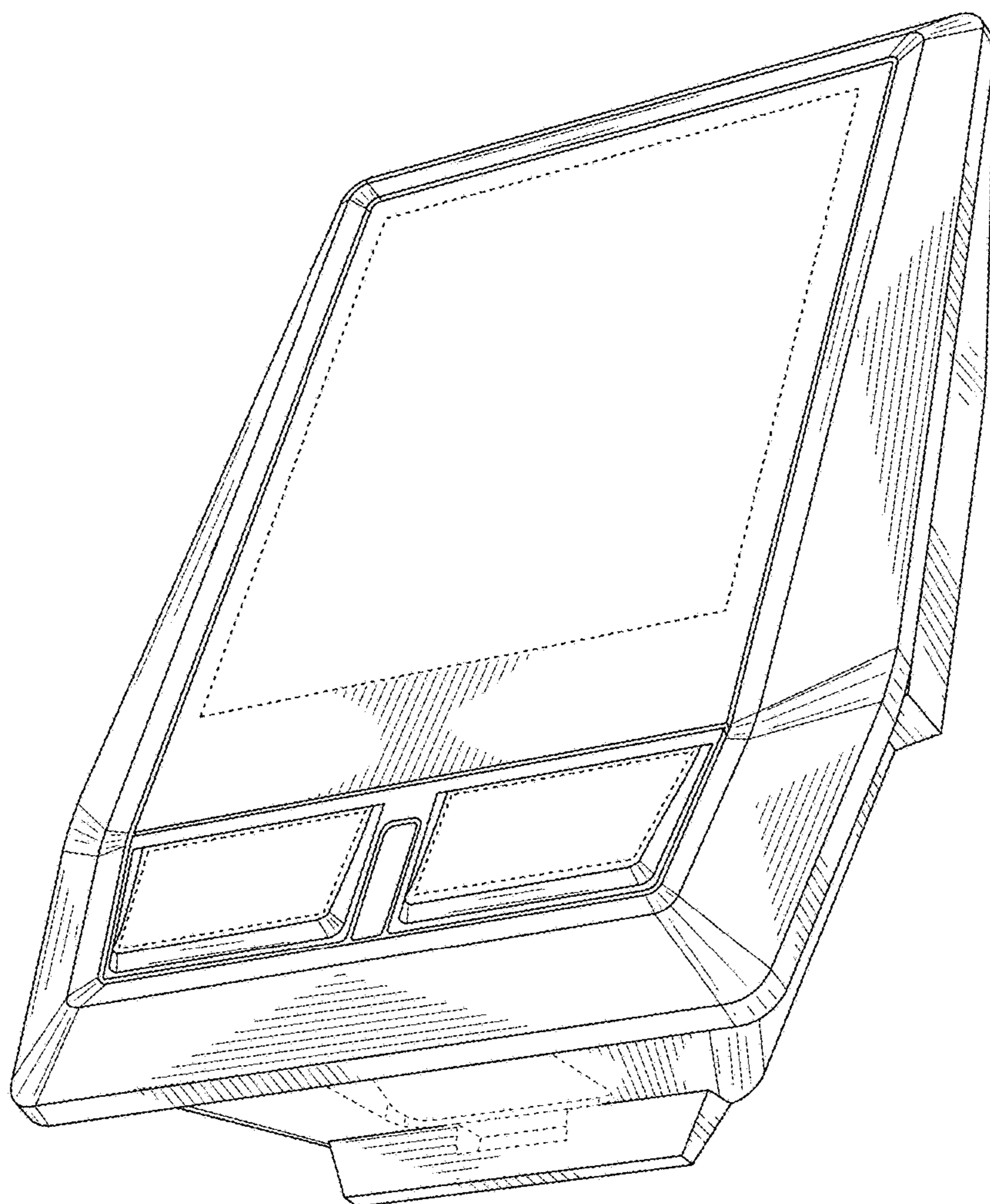


FIG. 1

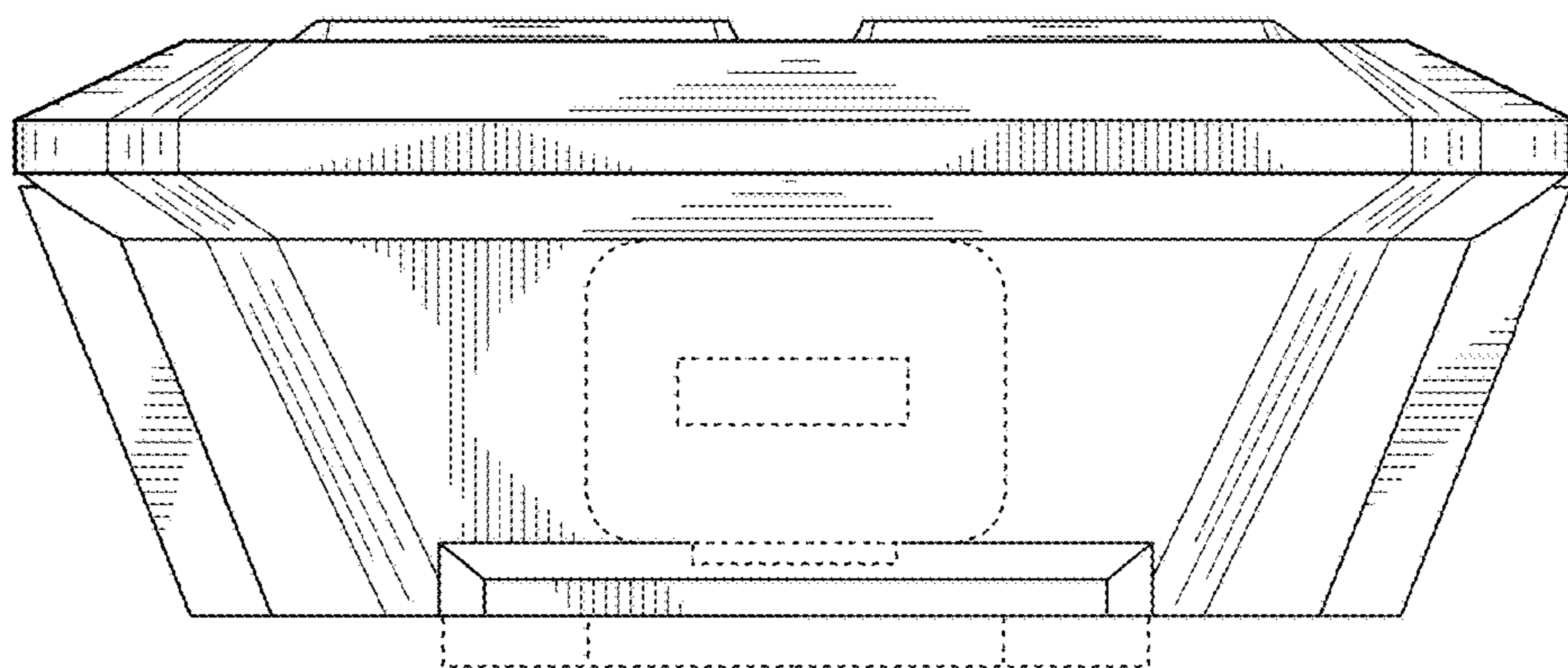


FIG. 2

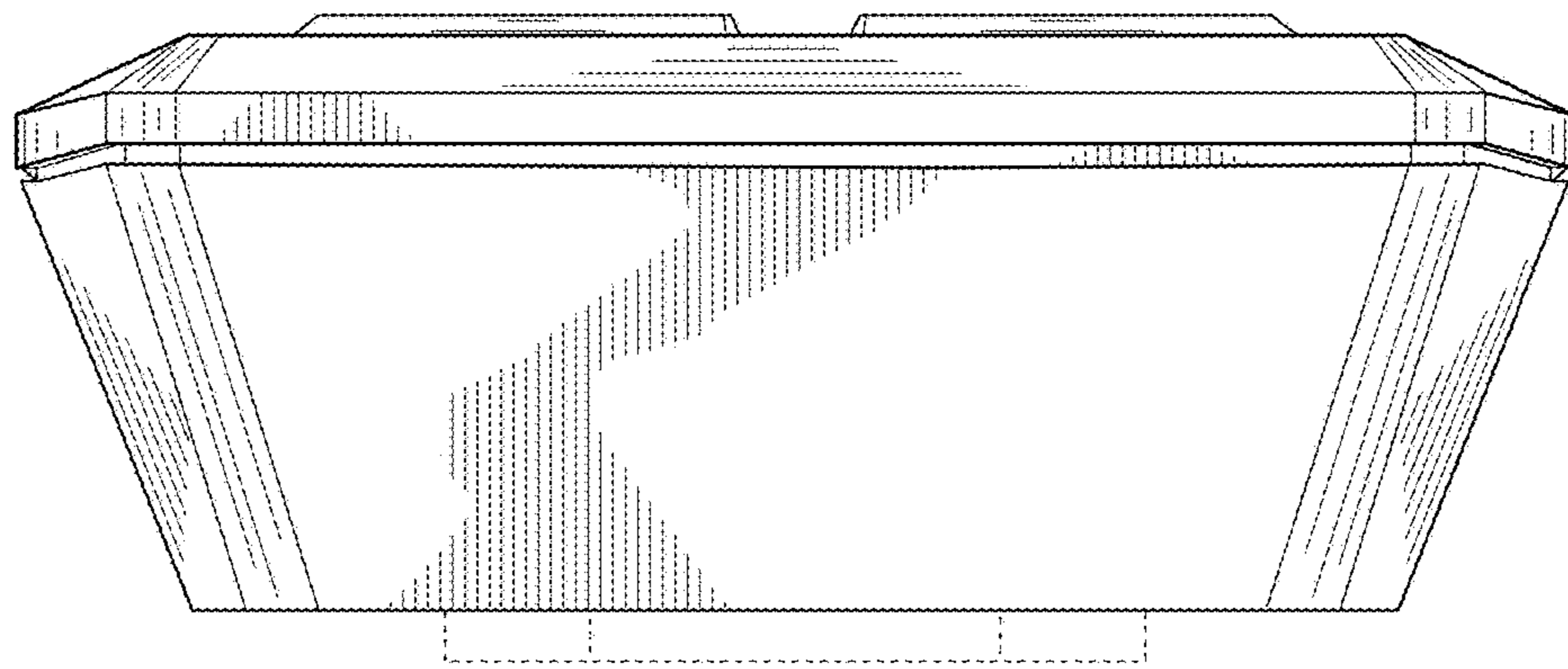


FIG. 3

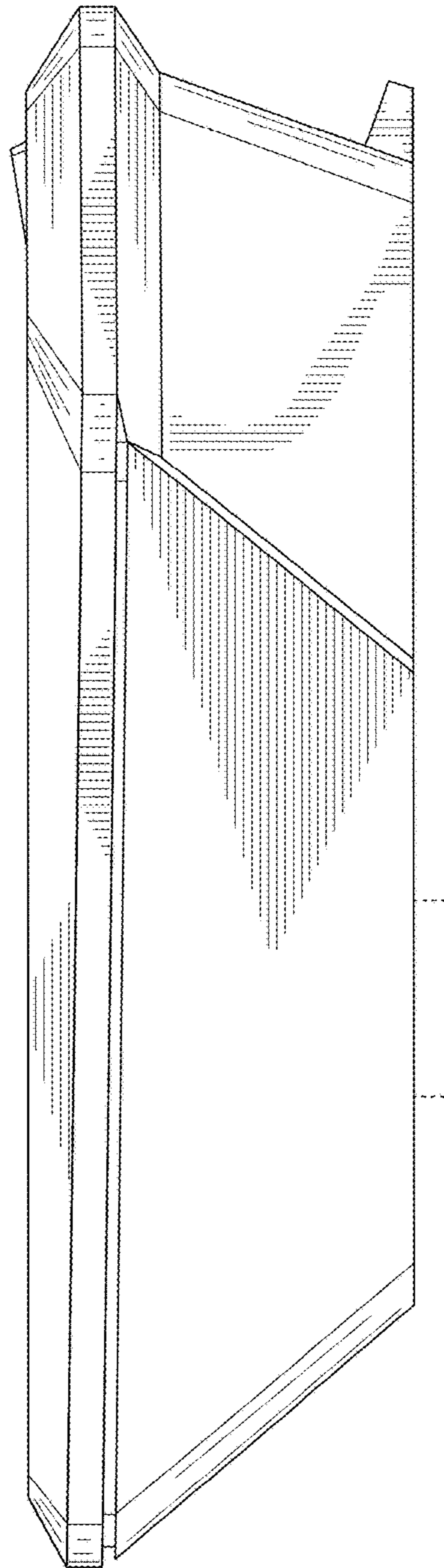


FIG. 4

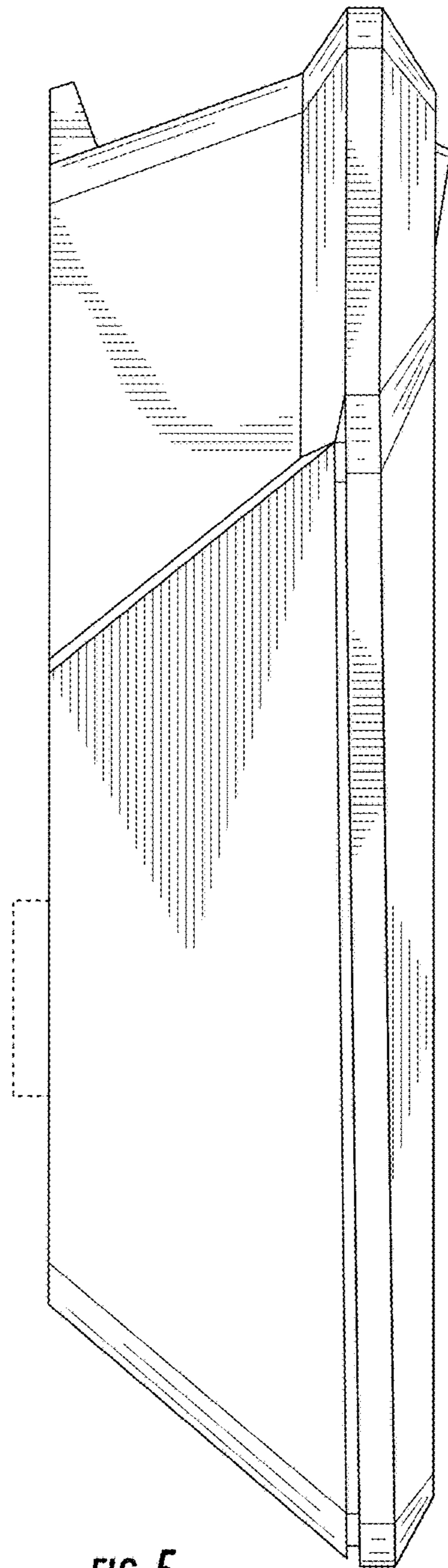


FIG. 5

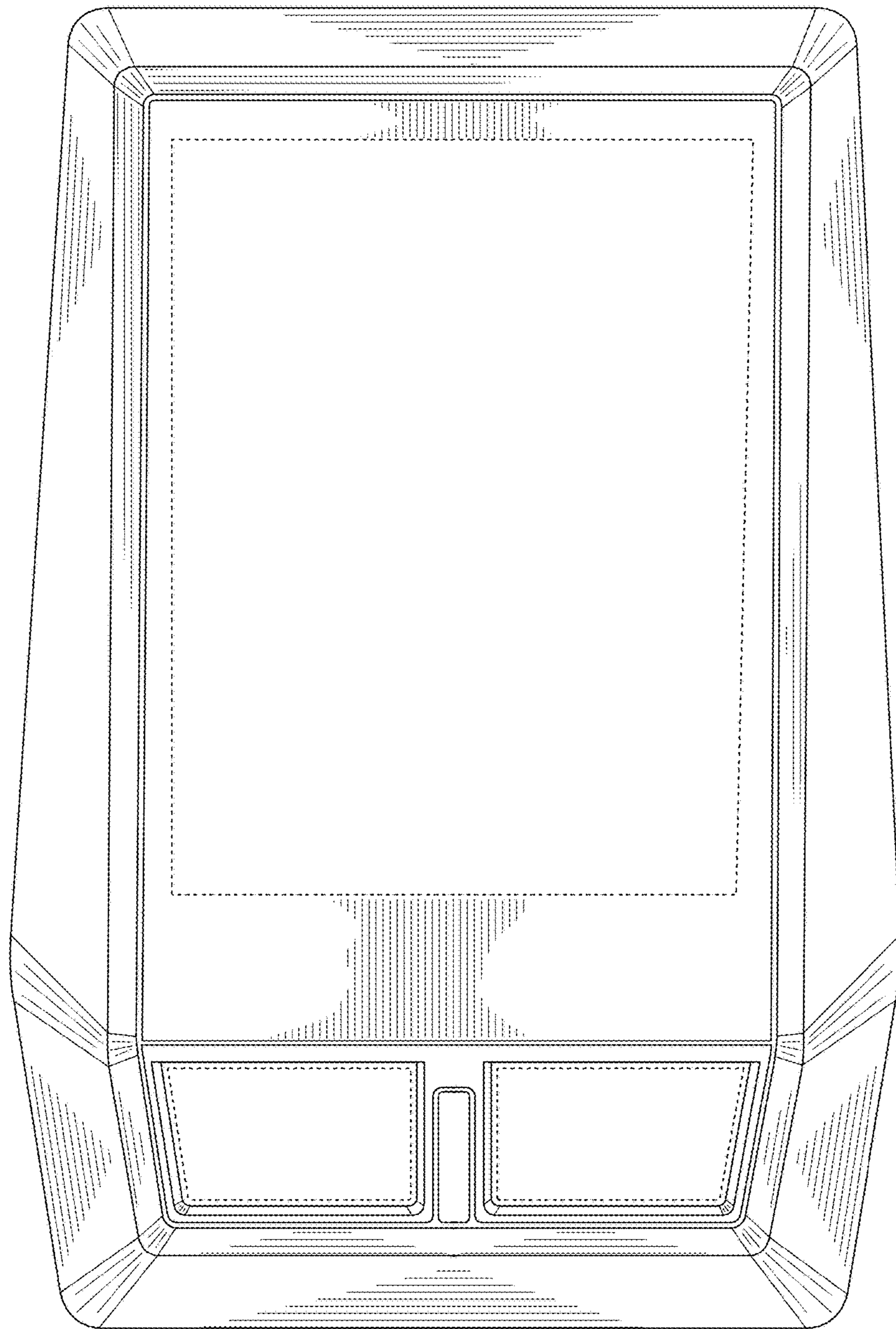


FIG. 6

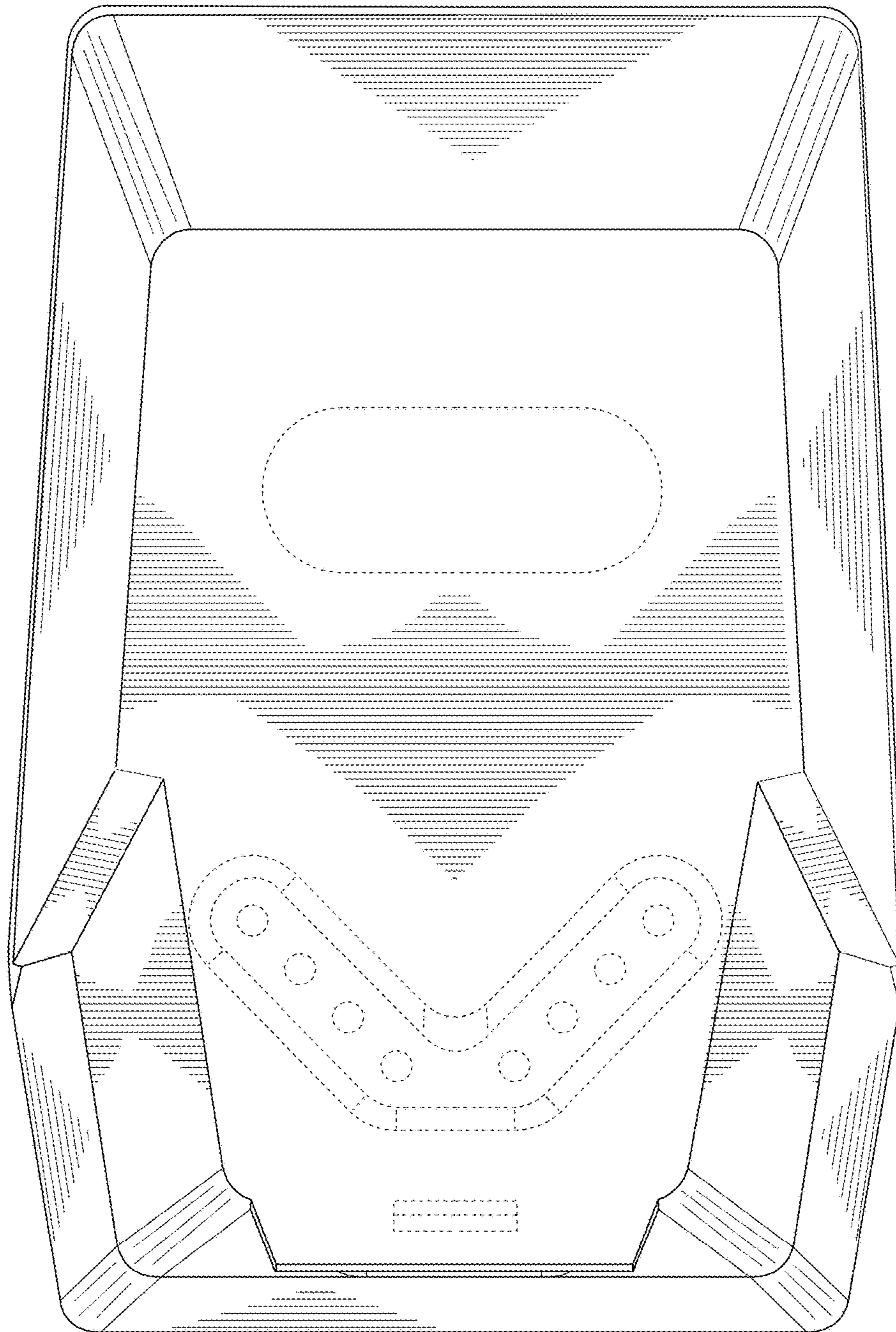


FIG. 7