



US00D842148S

(12) **United States Design Patent**
Shen

(10) **Patent No.:** **US D842,148 S**

(45) **Date of Patent:** **** Mar. 5, 2019**

(54) **CLAMP METER**

(71) Applicant: **Fluke Corporation**, Everett, WA (US)

(72) Inventor: **Yurui Shen**, Shanghai (CN)

(73) Assignee: **Fluke Corporation**, Everett, WA (US)

(**) Term: **15 Years**

(21) Appl. No.: **29/611,526**

(22) Filed: **Jul. 21, 2017**

Related U.S. Application Data

(62) Division of application No. 29/569,284, filed on Jun. 24, 2016, now Pat. No. Des. 793,887, which is a division of application No. 29/519,419, filed on Mar. 4, 2015, now Pat. No. Des. 762,502.

(30) **Foreign Application Priority Data**

Sep. 5, 2014 (CN) 2014 3 0327714

(51) **LOC (11) Cl.** **10-04**

(52) **U.S. Cl.**
USPC **D10/80**

(58) **Field of Classification Search**

USPC D10/79, 80
CPC G01R 1/04; G01R 1/0408; G01R 1/0416;
G01R 1/0425; G01R 1/06; G01R 1/067;
G01R 15/125; G01R 1/22; G01R 15/12;
G01R 15/18; G01R 15/186; G01R 1/07;
G01R 1/16772; G01R 1/16788

See application file for complete search history.

(56) **References Cited**

U.S. PATENT DOCUMENTS

D452,830 S * 1/2002 Harju; Rey P D10/80
D665,282 S * 8/2012 Worones; Jeff D10/80

D678,790 S * 3/2013 Worones; Jeff D10/79
D684,074 S * 6/2013 Wei; Huang D10/79
D715,169 S 10/2014 Chen
D726,049 S 4/2015 Wurts et al.
D726,050 S 4/2015 Wurts et al.
D762,502 S * 8/2016 Shen; Yurui D10/79
D766,118 S 9/2016 Wong

OTHER PUBLICATIONS

“Fluke i400 Ac Current Clamp,” <<http://en-us.fluke.com/products/all-accessories/fluke-i400.html>> [retrieved Mar. 26, 2015], 4 pp.

* cited by examiner

Primary Examiner — Antoine Duval Davis

(74) *Attorney, Agent, or Firm* — Seed Intellectual Property Law Group LLP

(57) **CLAIM**

The ornamental design for a clamp meter, as shown and described.

DESCRIPTION

FIG. 1 is a bottom, front left perspective view of a clamp meter showing my new design.

FIG. 2 is a top, front right perspective view thereof.

FIG. 3 is a front elevation view thereof.

FIG. 4 is a rear elevation view thereof.

FIG. 5 is a left elevation view thereof.

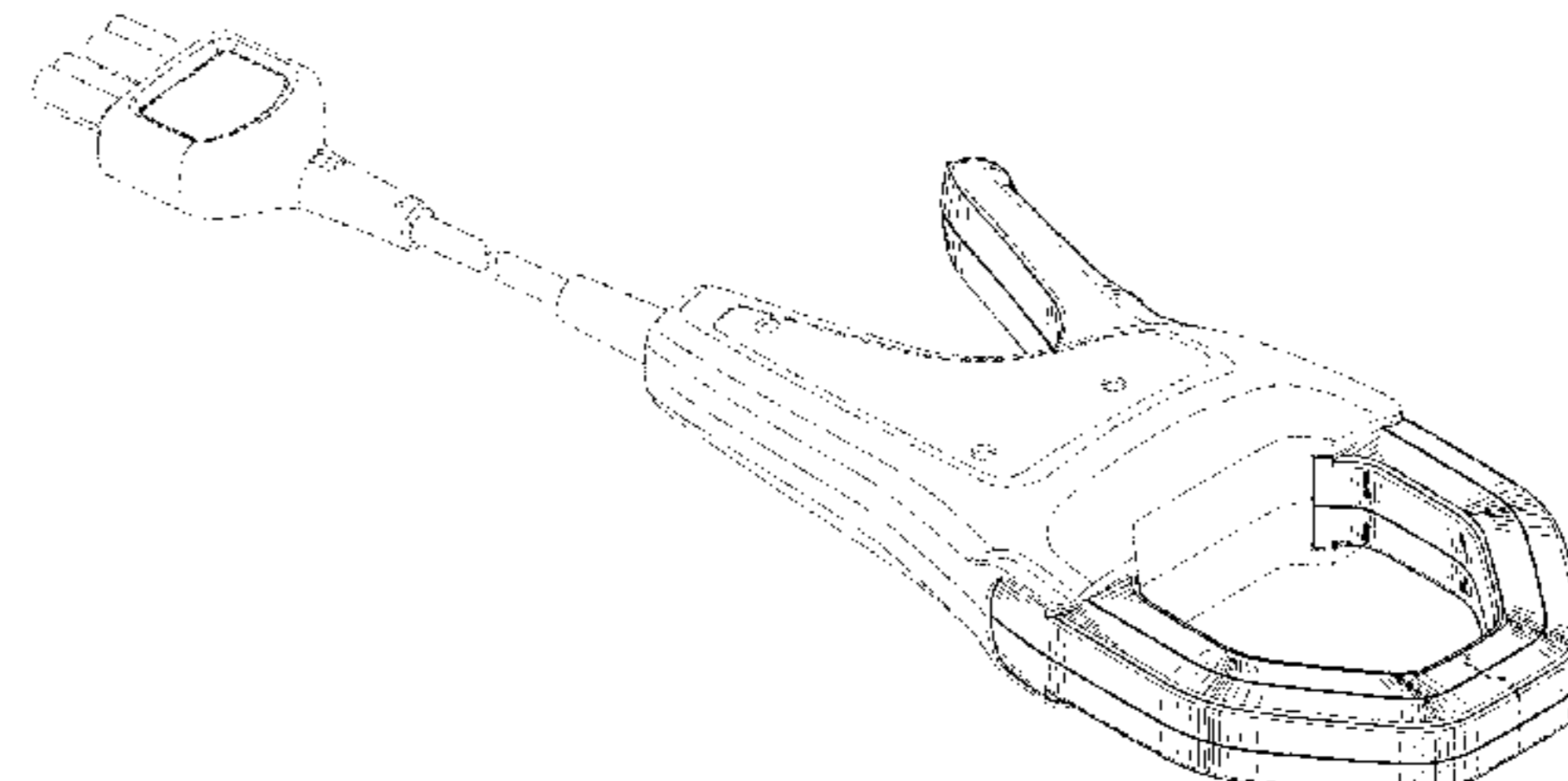
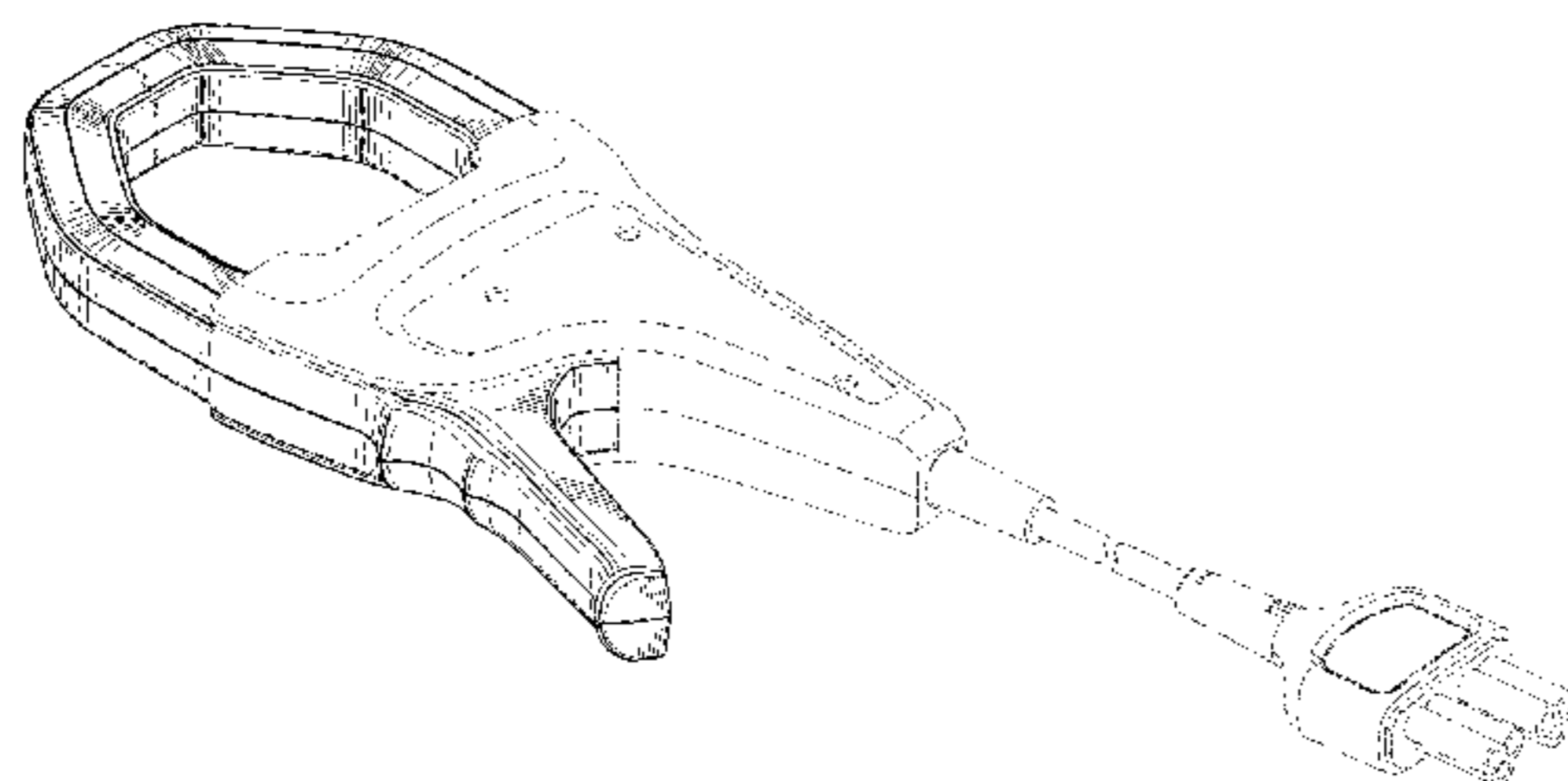
FIG. 6 is a right elevation view thereof.

FIG. 7 is a top plan view thereof; and,

FIG. 8 is a bottom plan view thereof.

The broken lines are for the purpose of illustrating portions of the clamp meter that form no part of the claimed design.

1 Claim, 6 Drawing Sheets



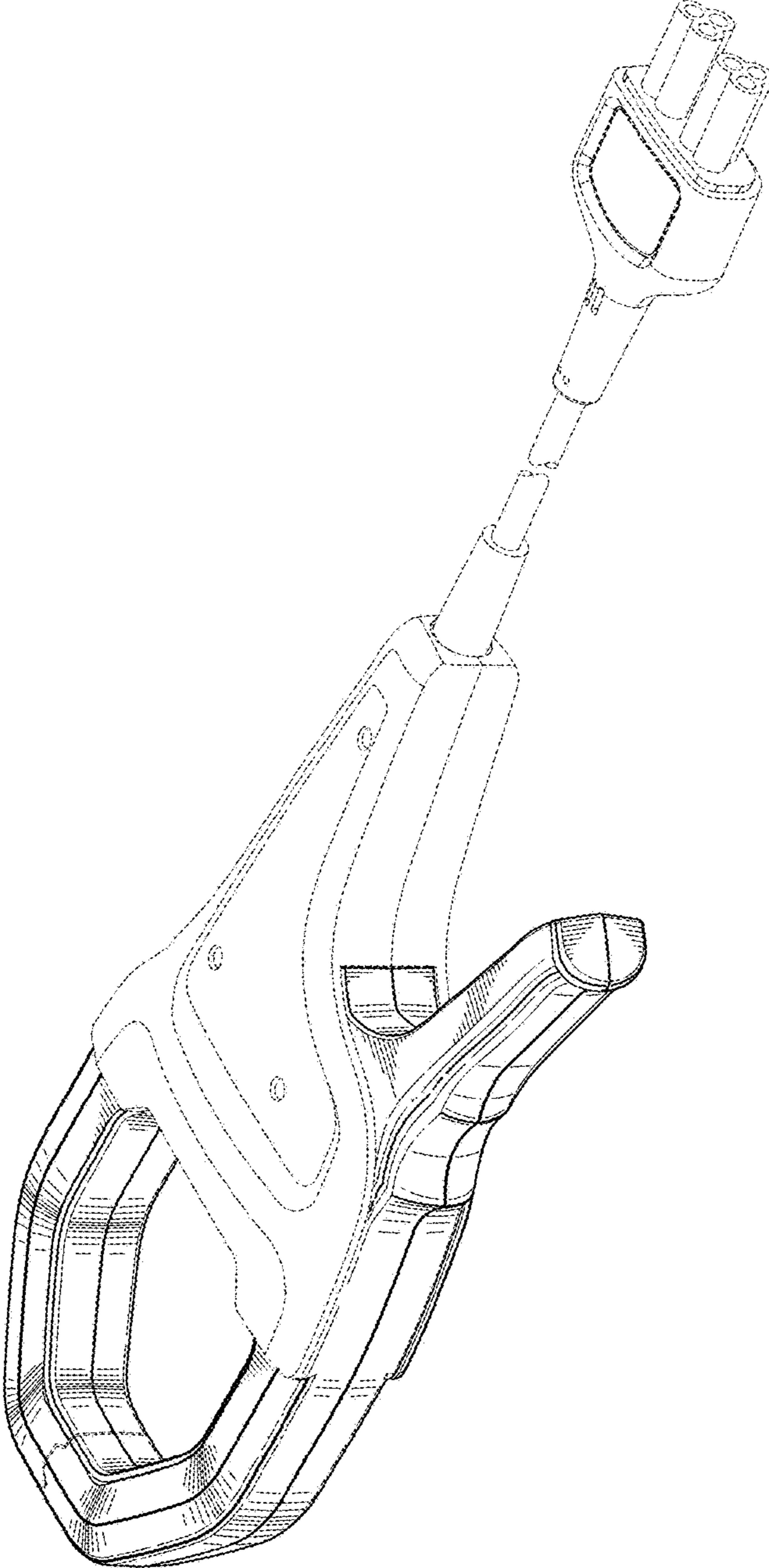


FIG. 1

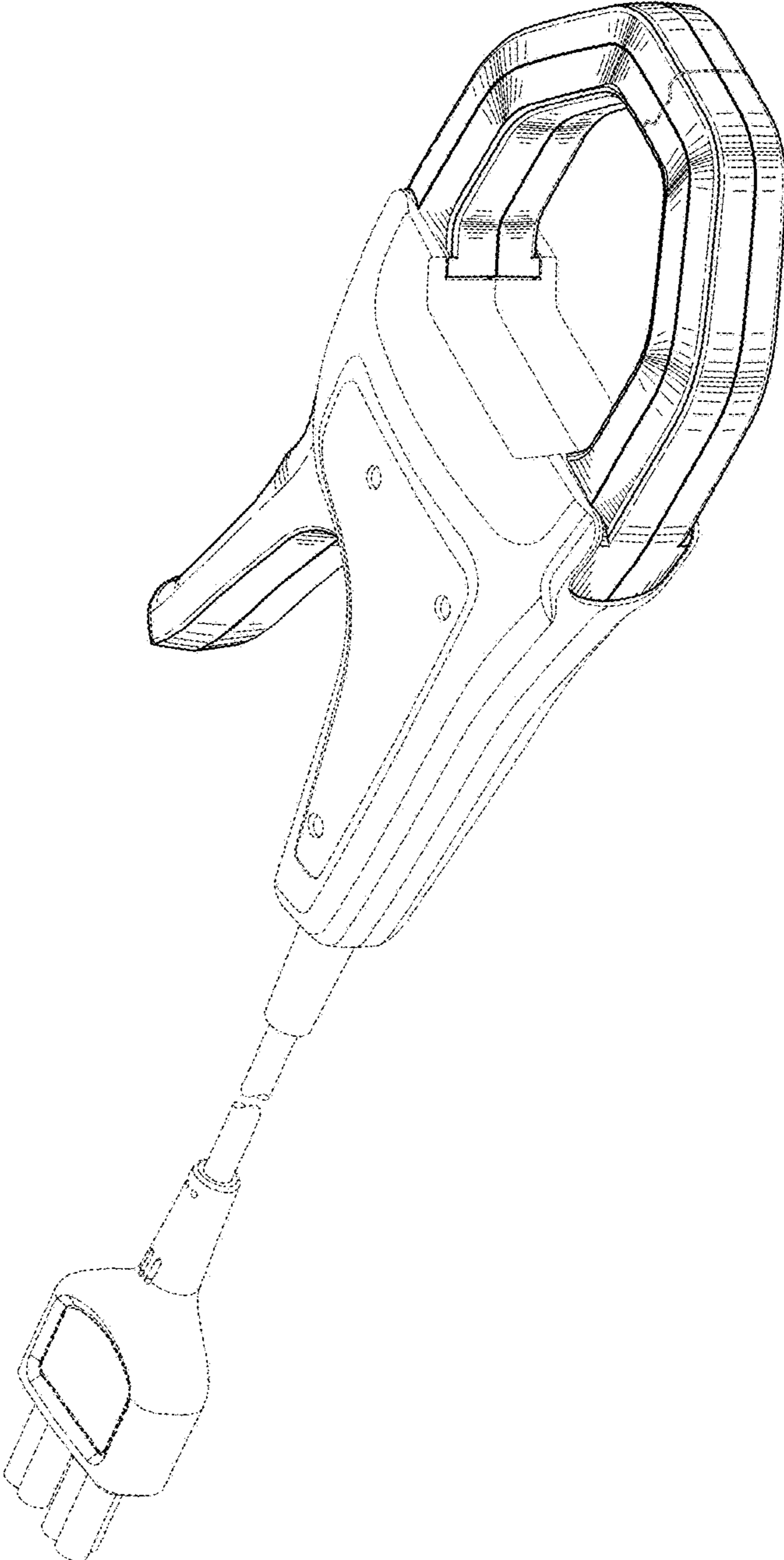


FIG. 2

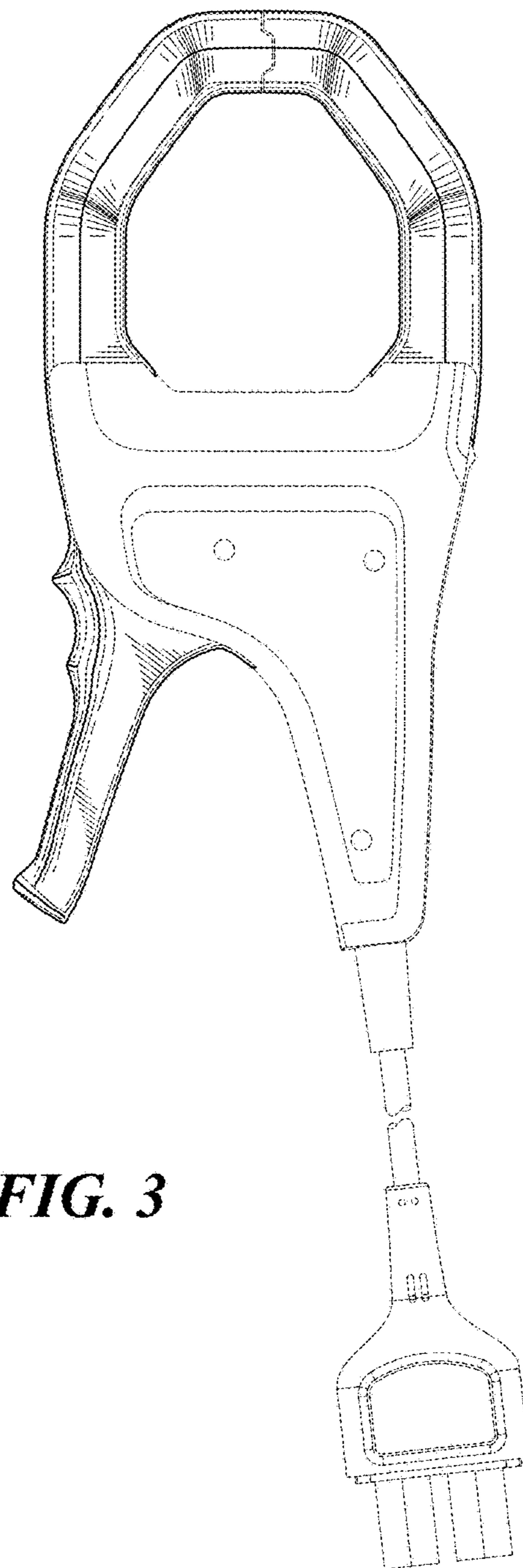


FIG. 3

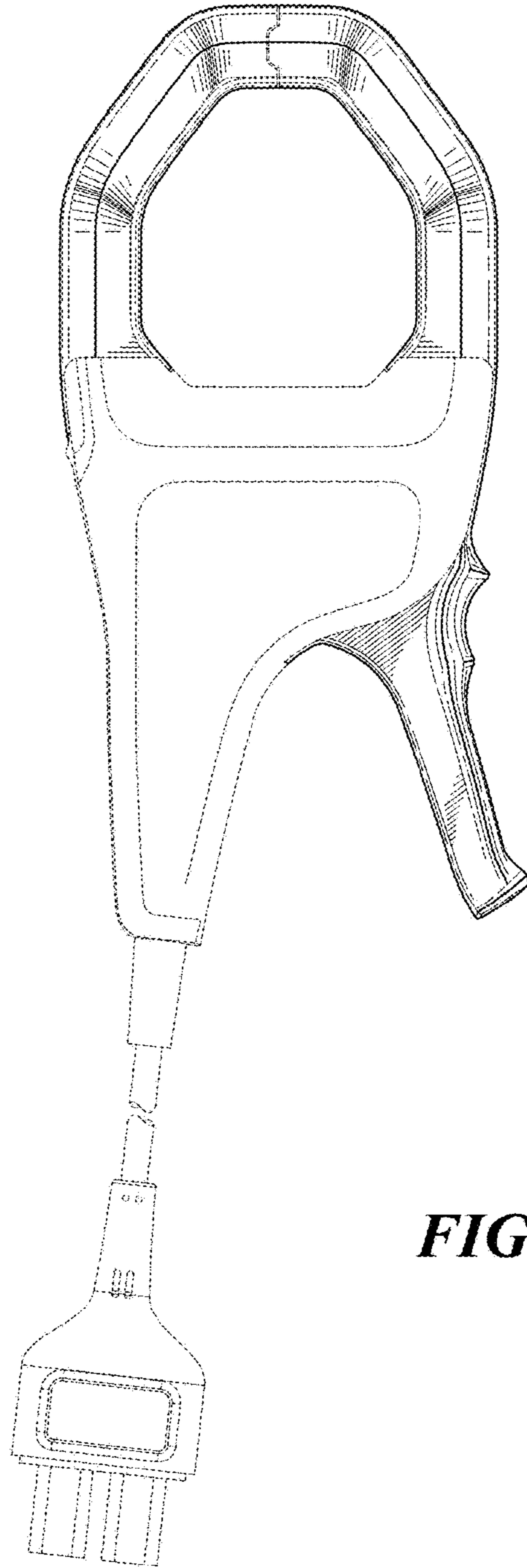


FIG. 4

FIG. 5

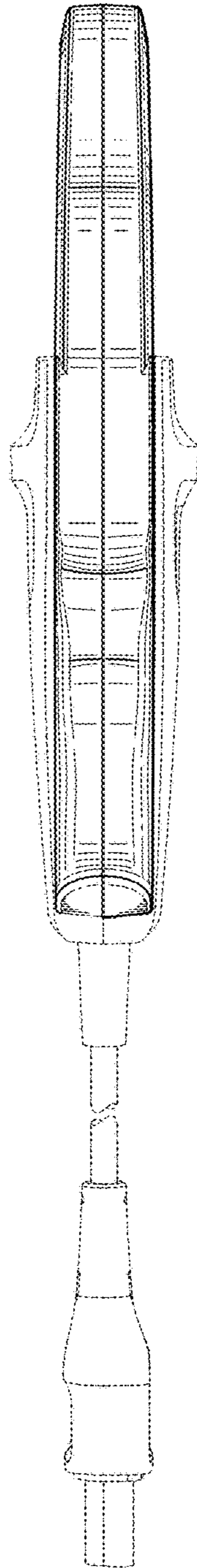
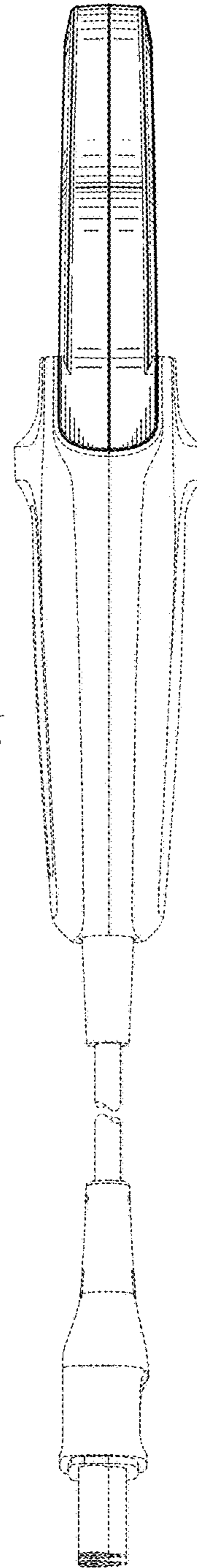


FIG. 6



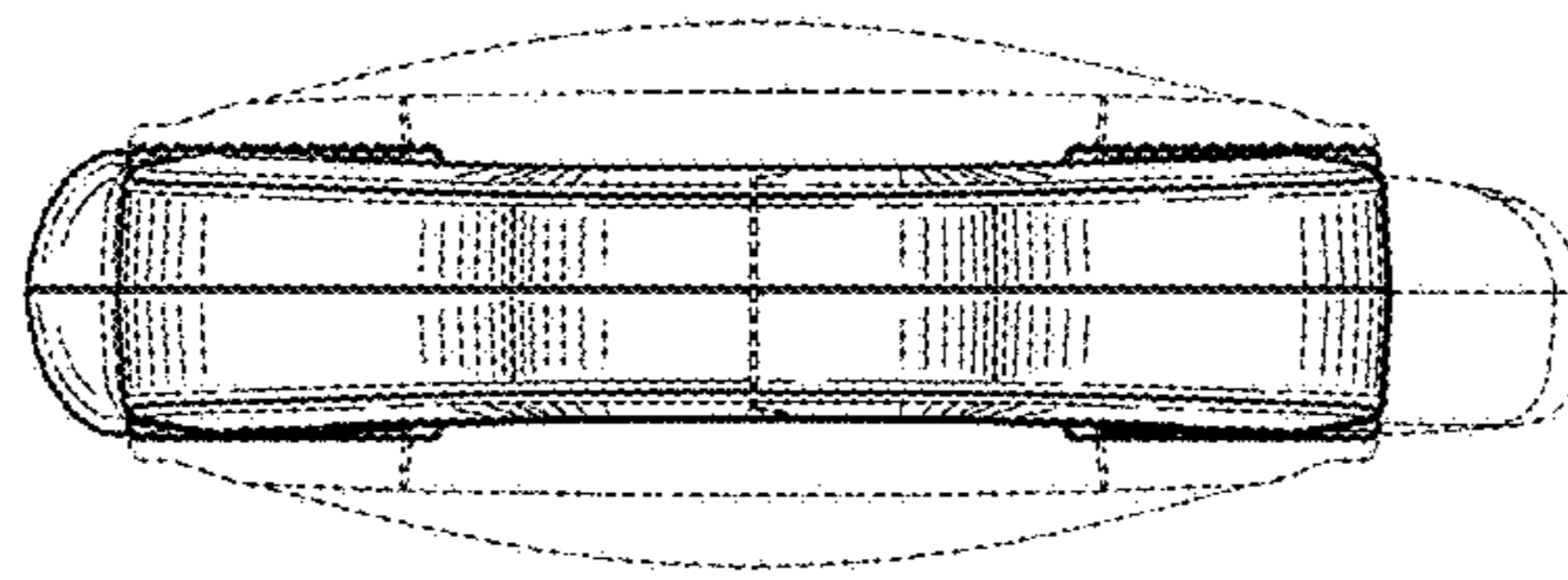


FIG. 7

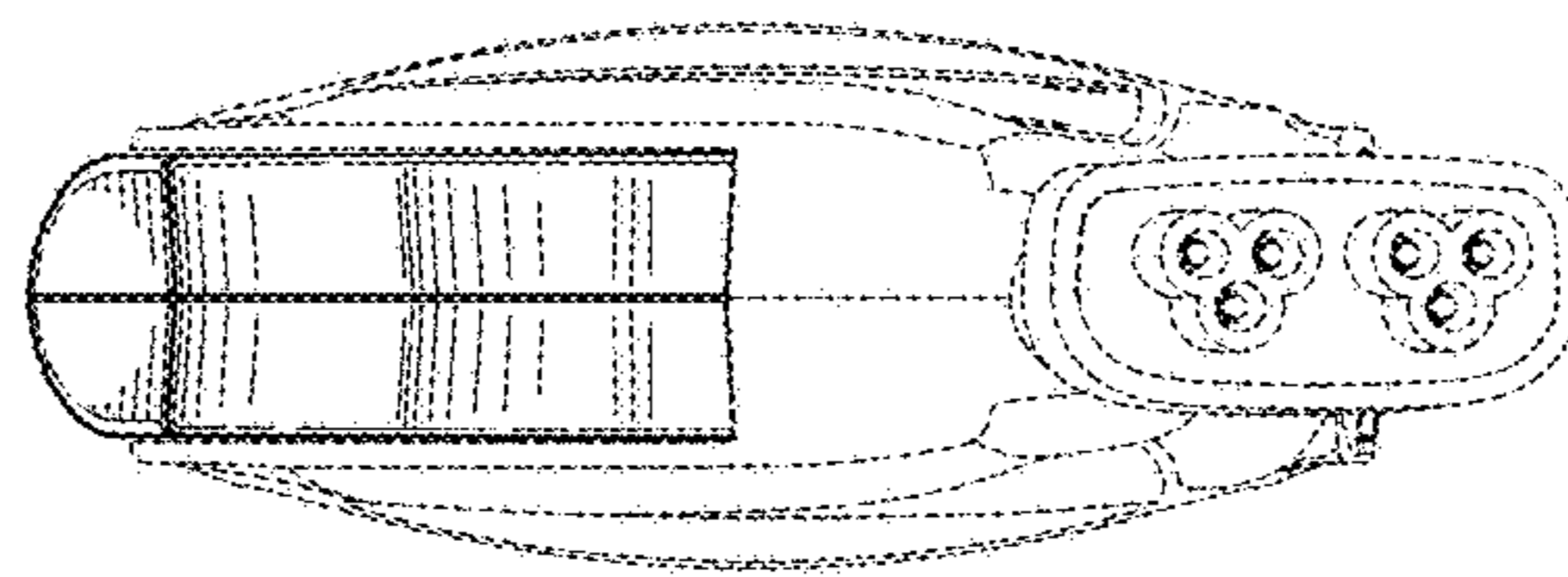


FIG. 8