



US00D842146S

(12) **United States Design Patent** (10) **Patent No.:** **US D842,146 S**
Li (45) **Date of Patent:** **** Mar. 5, 2019**

(54) **DIGITAL MULTIMETER** D684,073 S * 6/2013 Elrod D10/78
8,755,173 B2 * 6/2014 Laurino G01R 1/04
(71) Applicant: **SHENZHEN 1 DREAMLAND** D723,401 S * 3/2015 Shen D10/78
E-COMMERCE CO., LTD., Shenzhen D766,117 S * 9/2016 Wong D10/78
(CN) D779,350 S * 2/2017 Shen D10/78
(72) Inventor: **Ling Li**, Shenzhen (CN) D787,350 S * 5/2017 Corrigan D10/78
2011/0026196 A1 * 2/2011 Laurino G01D 11/24
361/679.01

(**) Term: **15 Years**

* cited by examiner

(21) Appl. No.: **29/601,193**

Primary Examiner — Antoine Duval Davis

(22) Filed: **Apr. 20, 2017**

(74) *Attorney, Agent, or Firm* — Prakash Nama; Global IP Services, PLLC

(30) **Foreign Application Priority Data**

Jan. 20, 2017 (CN) 2017 3 0023215

(51) **LOC (11) Cl.** **10-04**

(57) **CLAIM**

(52) **U.S. Cl.**
USPC **D10/78**

The ornamental design for a digital multimeter, as shown.

(58) **Field of Classification Search**
USPC D10/78
CPC G01R 1/22; G01R 1/04; G01R 15/125;
G01R 15/181; G01R 15/186; G01R
15/12; G01R 15/04; G01R 15/06; G01R
19/2503; G01R 1/20; G01R 1/203; G01R
1/206; G01R 1/24; G01R 1/26; G01D
11/24; G01D 11/245; G01D 11/26; G06F
17/00

DESCRIPTION

See application file for complete search history.

FIG. 1 is a front elevational view of a digital multimeter showing my new design;
FIG. 2 is a rear elevational view thereof;
FIG. 3 is a left side view thereof;
FIG. 4 is a right side view thereof;
FIG. 5 is a top plan view thereof;
FIG. 6 is a bottom plan view thereof;
FIG. 7 is a perspective view thereof;
FIG. 8 is a second perspective view thereof; and,
FIG. 9 is a third perspective view thereof.

(56) **References Cited**

U.S. PATENT DOCUMENTS

8,405,380 B2 * 3/2013 Marzynski G01R 1/04
324/114
D679,615 S * 4/2013 Marzynski D10/78

1 Claim, 7 Drawing Sheets





FIG. 1

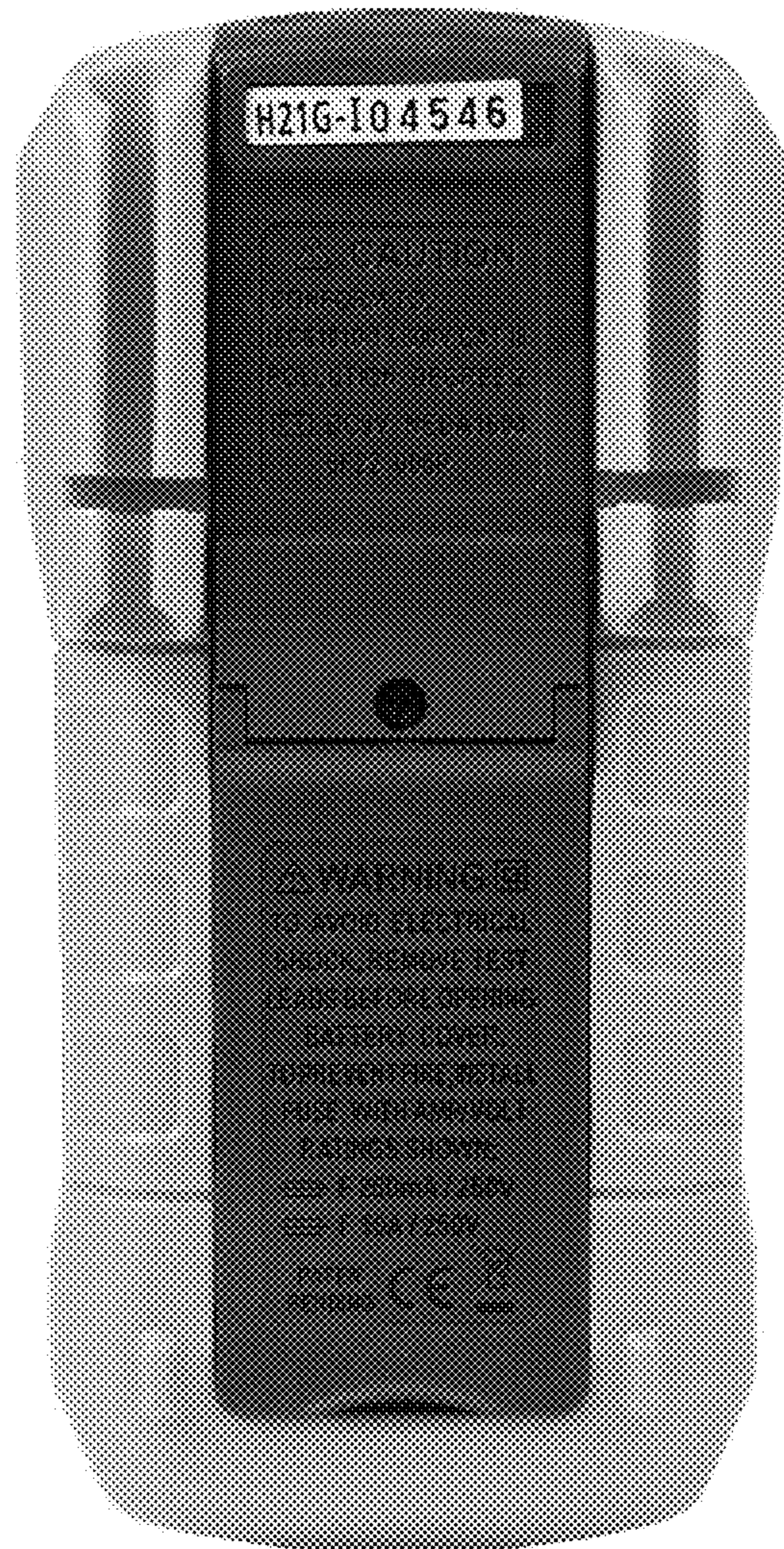


FIG. 2

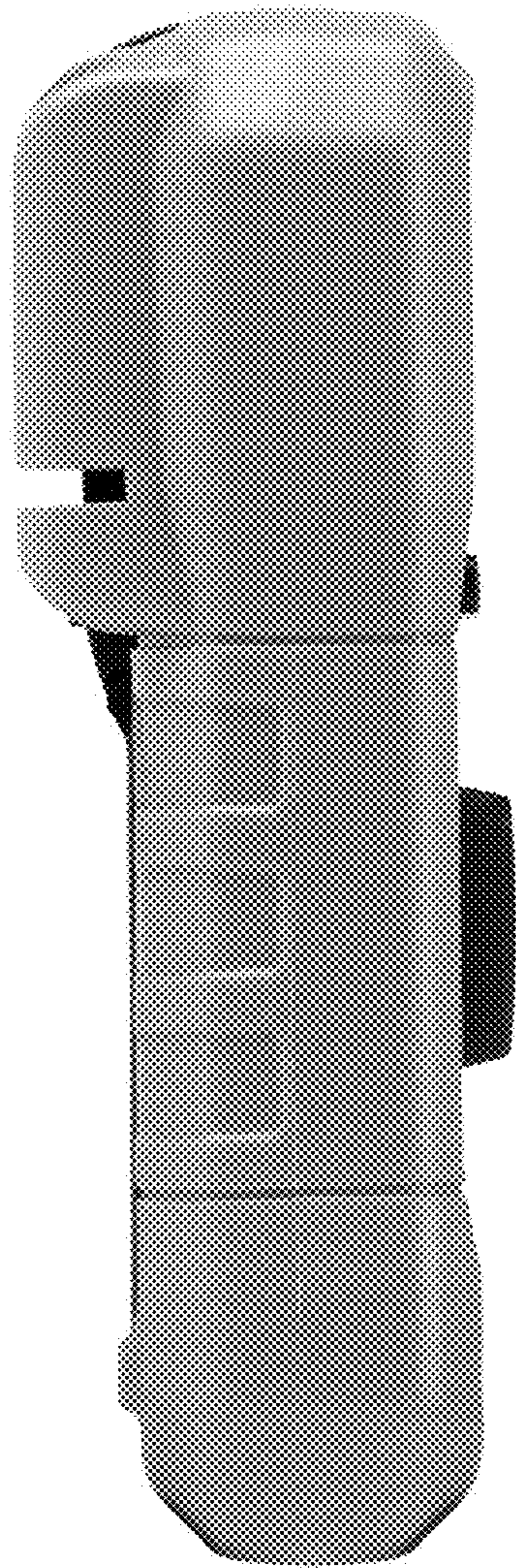


FIG. 3

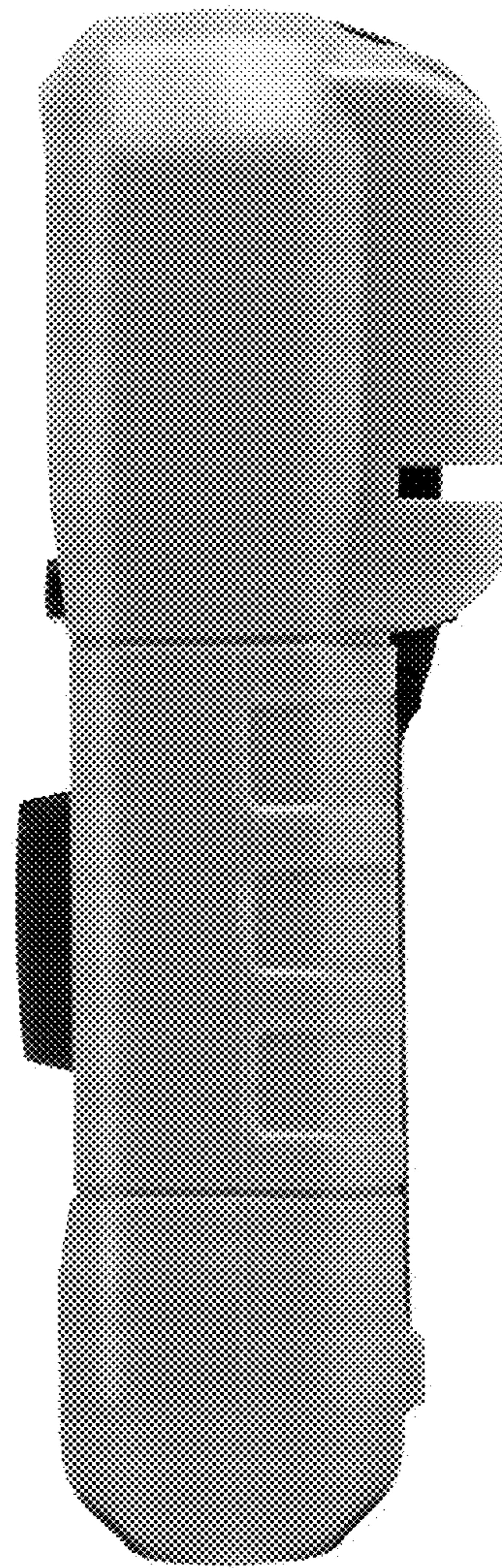


FIG. 4

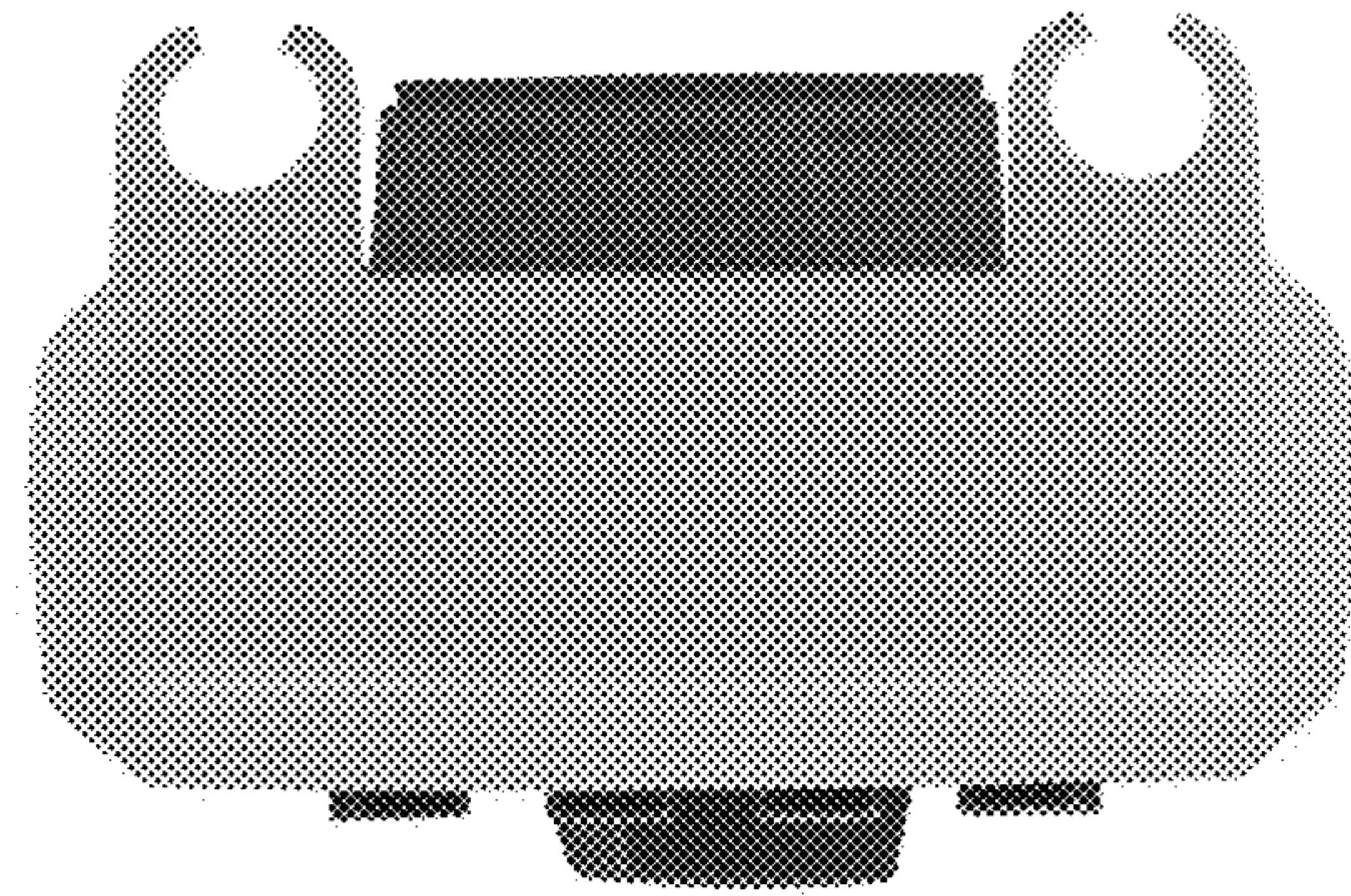


FIG. 5

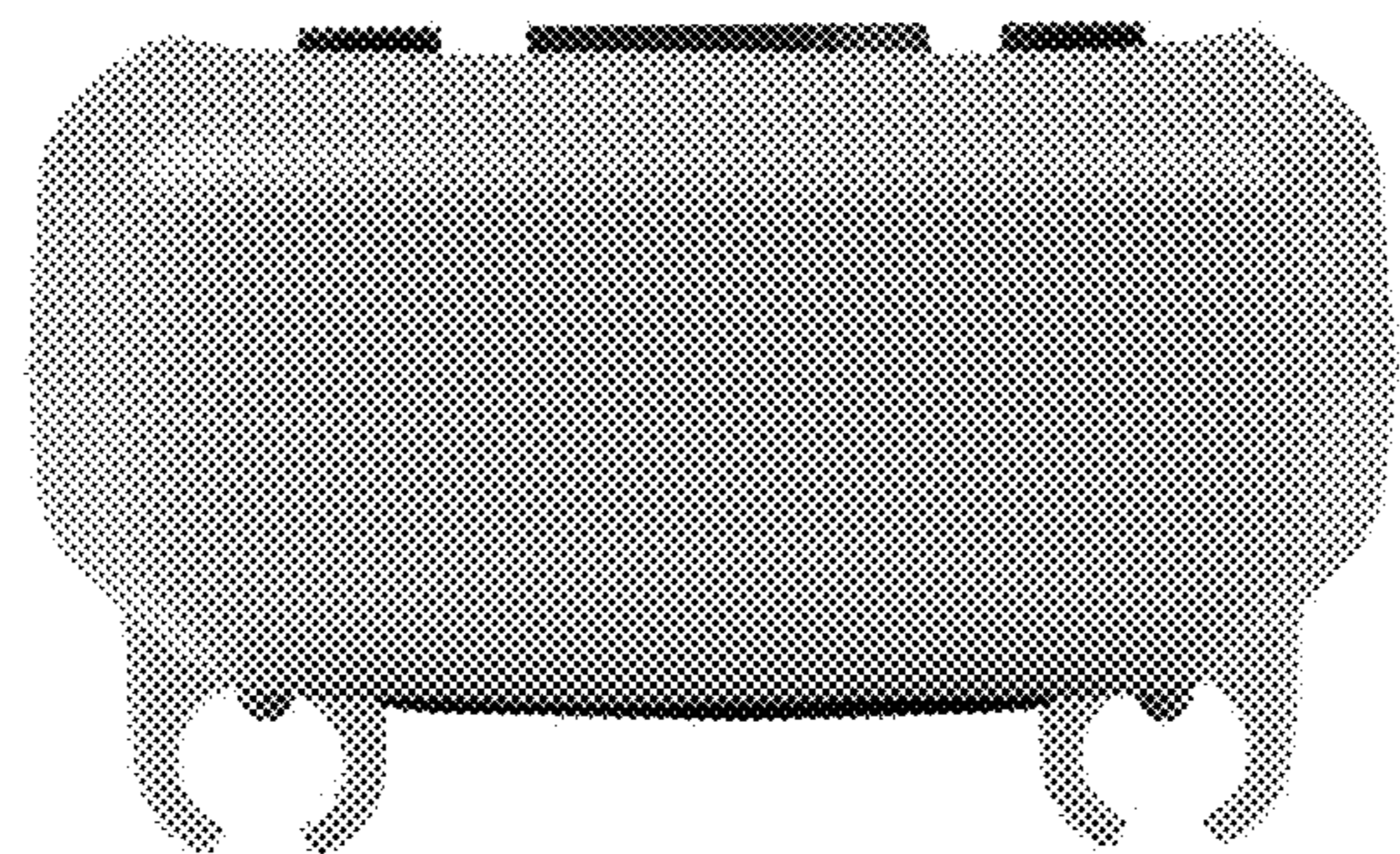


FIG. 6



FIG. 7



FIG. 8



FIG. 9