

US00D842144S

(12) **United States Design Patent**
Blier et al.

(10) **Patent No.:** **US D842,144 S**

(45) **Date of Patent:** **** Mar. 5, 2019**

(54) **MODULE FOR USE IN A TEST INSTRUMENT**

(71) Applicant: **EXFO INC.**, Québec (CA)

(72) Inventors: **Michel Blier**, Montreal (CA); **Patrice Gonay**, St-Gabriel de Valcartier (CA); **Sebastien Nadeau**, Saint-Augustin-de-Desmaures (CA); **Pascal Recoura-Massaquant**, Quebec (CA)

(73) Assignee: **EXFO Inc.**, Quebec (CA)

(**) Term: **15 Years**

(21) Appl. No.: **29/614,126**

(22) Filed: **Aug. 16, 2017**

Related U.S. Application Data

(62) Division of application No. 29/547,809, filed on Dec. 8, 2015, now Pat. No. Des. 798,171.

(51) **LOC (11) Cl.** **10-04**

(52) **U.S. Cl.**
USPC **D10/75**

(58) **Field of Classification Search**
USPC D10/46, 75
CPC G01R 1/0408; G01R 31/2851; G01R 31/2889; G01R 31/31907; G01R 31/31921; G01R 31/318335; G01R 31/31725; G01R 31/3193; G01R 31/28; G01R 31/04; G01R 31/31813; G01R 31/31919; G01R 31/318385; G01N 34/1083; G01N 35/10

See application file for complete search history.

(56) **References Cited**

U.S. PATENT DOCUMENTS

D281,401 S * 11/1985 Perrins D10/106.1
D343,799 S * 2/1994 Spinks D10/75

D365,291 S * 12/1995 Chitty D10/75
D377,319 S * 1/1997 Amano D10/75
D573,495 S * 7/2008 Chen D10/75
D608,959 S * 1/2010 Kim D30/161
2013/0004131 A1* 1/2013 Skepnek G02B 6/4201
385/92

OTHER PUBLICATIONS

VIAVI “8100-Series Fiber Characterization EVO Modules” for T-BERD/MTS-6000A/-8000 Platforms, Specifications Chart and Description Data Sheet, available at viavisolutions.com, 2015.
VIAVI “T-BERD/MTS-6000A and -8000 Platforms” for 8100-Series CWDM OTDR EVO Modules, Specifications Chart and Description Data Sheet, available at viavisolutions.com, 2015.

(Continued)

Primary Examiner — Antoine D Davis

(74) *Attorney, Agent, or Firm* — Helene Chotard

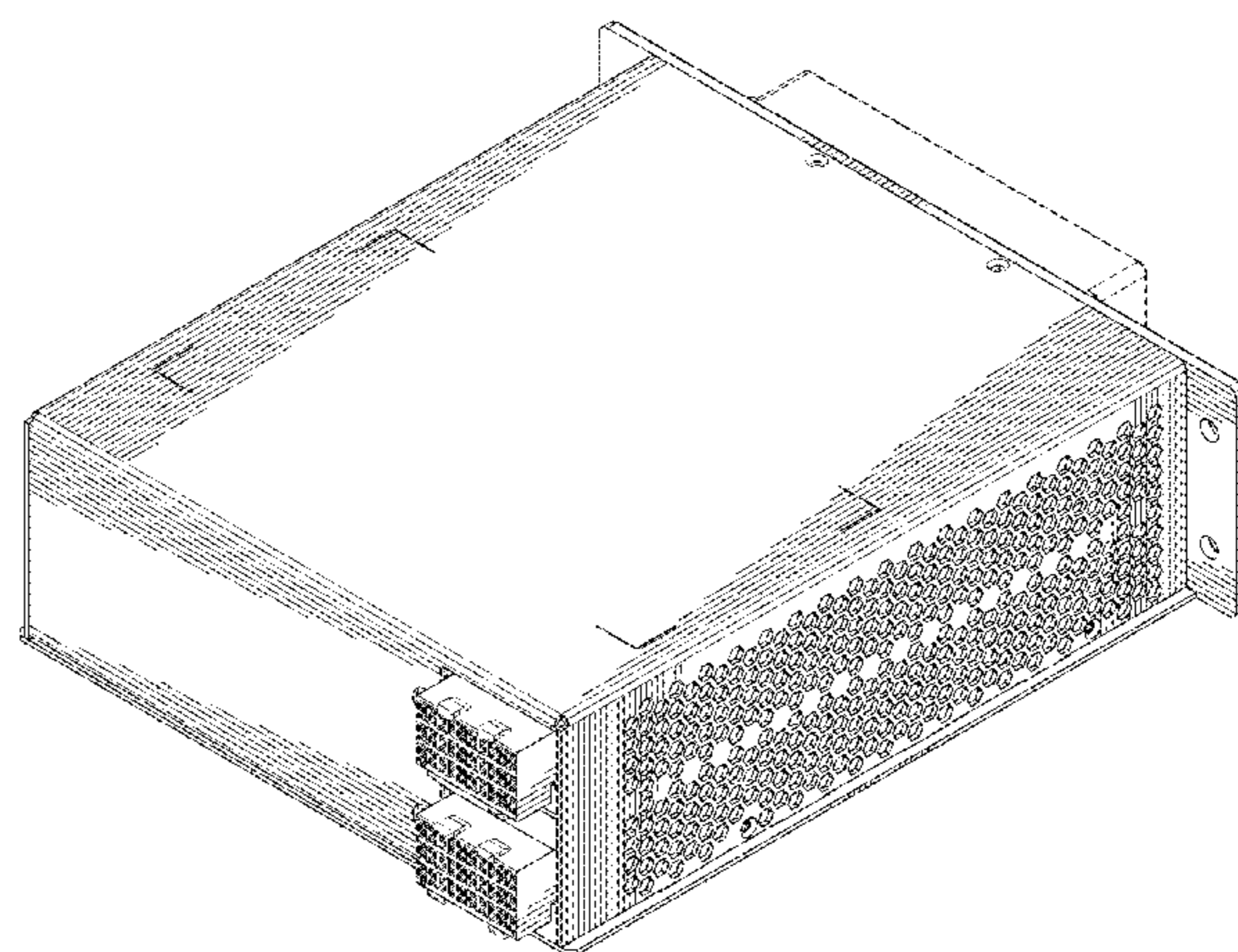
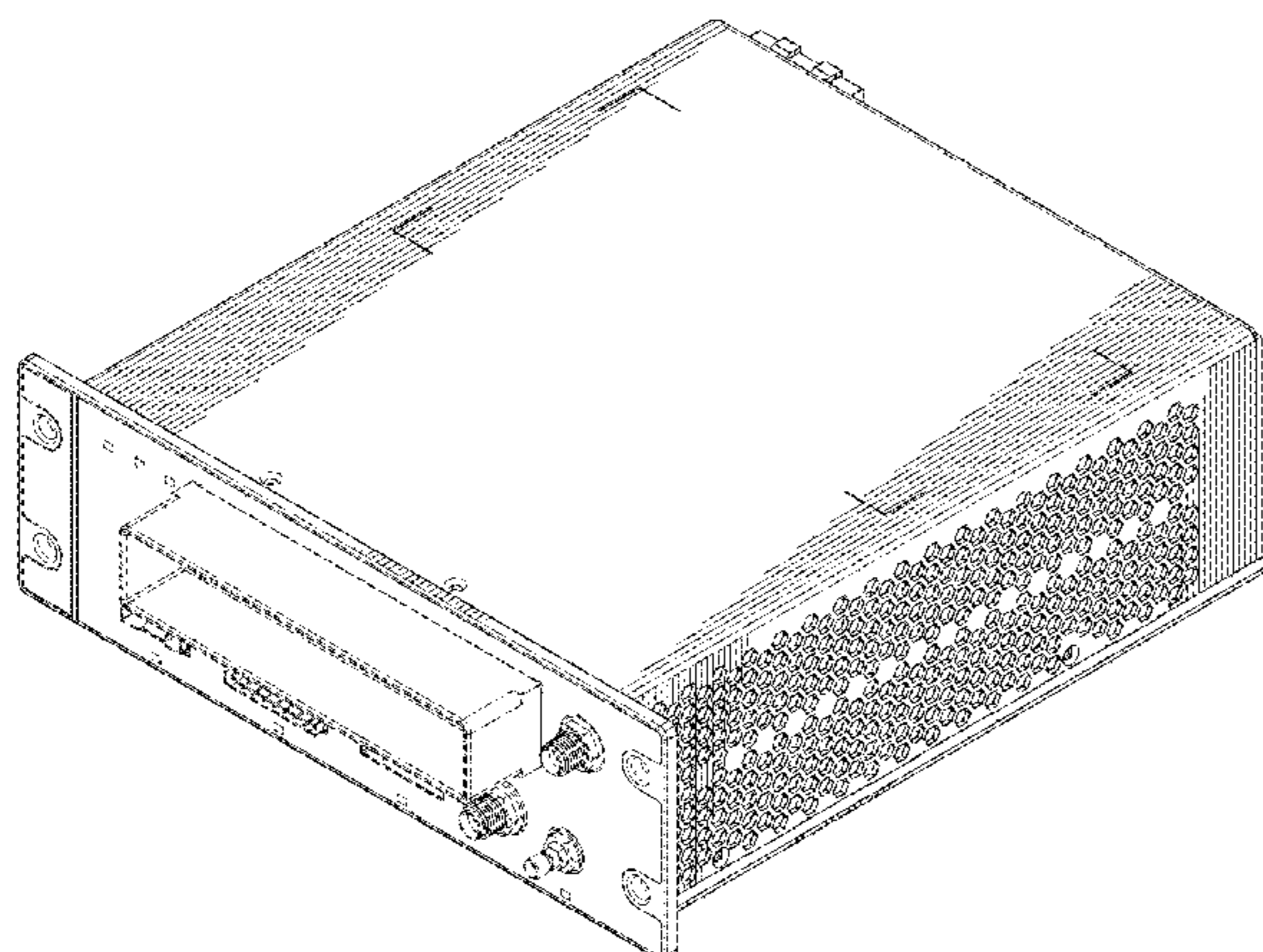
(57) **CLAIM**

The ornamental design for a module for use in a test instrument, as shown and described.

DESCRIPTION

FIG. 1 is a first oblique view of the module for use in a test instrument, taken from the front and left side, showing our new design;
FIG. 2 is another oblique view thereof, taken from the back and right side;
FIG. 3 is a top plan view thereof,
FIG. 4 is a front elevation view thereof
FIG. 5 is a left side elevation view thereof,
FIG. 6 is a right side elevation view thereof,
FIG. 7 is a bottom plan view thereof; and,
FIG. 8 is a rear elevation view thereof.
The dashed line showing of structural lines is included for the purpose of illustrating non-claimed subject matter and forms no part of the claimed design.

1 Claim, 5 Drawing Sheets



(56)

References Cited

OTHER PUBLICATIONS

VIAVI “T-BERD/MTS-6000A and -8000 Platforms” for OSA-610 High-Resolution OSA for 400G Flex-Grid/Nyquist DWDM, Specifications Chart and Description Data Sheet, available at viavisolutions.com, 2015.

VIAVI, “T-BERD/MTS Platforms”, Optical Dispersion Measurement Module, Specifications Chart and Description Data Sheet, available at viavisolutions.com, 2015.

VIAVI “T-BERD/MTS-6000, -6000A, and -8000 Platforms” for OSA-110M Compact Full-Band OSA, Specifications Chart and Description Data Sheet, available at viavisolutions.com, 2015.

JDSU “T-BERD/MTS-6000A” for Compact Network Test Platform, Specifications Chart and Description Data Sheet, available at www.jdsu.com/test, Feb. 2013.

JDSU “T-BERD/MTS-6000, -6000A, and 8000 Platforms” for Polarization Mode Dispersion Module, Specifications Chart and Description Data Sheet, available at www.jdsu.com, Apr. 2009.

JDSU “T-BERD/MTS-6000/-6000A/8000 Platforms” for 8100-Series OTDR Module Family—Single-Mode/Multimode SRL, Specifications Chart and Description Data Sheet, available at www.jdsu.com/test, May 2013.

EXFO “IQS-8805 Power Blazer” for DSN/PDH and Sonet/SDH Electrical Test Module, Spec Sheet, available at www.exfo.com, 2014.

EXFO “IQS-9100B MEMS Optical Switch”, Spec Sheet, available at www.exfo.com, 2015.

EXFO “FTB-3930”, Multitest Module, Spec Sheet, available at www.exfo.com, 2014.

EXFO “FTB-5240S/BP Optical Spectrum Analyzers”, Spec Sheet, available at www.exfo.com, 2016.

EXFO “FTB-5700 Single-Ended Dispersion Analyzer”, Automated CD and PMD Measurements in a Single Module, Spec Sheet, available at www.exfo.com, 2016.

EXFO “FTB-7300E PON FTTx/MDU OTDR”, Optimized for Access Fiber Deployments and Troubleshooting, Spec Sheet, available at www.exfo.com, 2015.

EXFO “FTB-7200D LAN/WAN Access OTDR”, Optimized for Multimode and Singlemode Access Network Testing, Spec Sheet, available at www.exfo.com, 2014.

EXFO “FTB-8130NGE Power Blazer”, Next-Generation Multiservice Test Modules, Spec Sheet, available at www.exfo.com, 2014.

EXFO “FTB-8510B Packet Blazer”, Ethernet Test Module, Spec Sheet, available at www.exfo.com, 2013.

EXFO Power Meter IQS-1100, Spec Sheet, available at www.exfo.com, 2012.

EXFO “IQS-1700/OHS-1700”, Power Meter and Optical Head Series, Spec Sheet, available at www.exfo.com, 2014.

EXFO “IQS-3150 Variable Attenuator”, Spec Sheet, available at www.exfo.com, 2015.

EXFO “IQS-5240S-P/BP Optical Spectrum Analyzers”, Spec Sheet, available at www.exfo.com, 2016.

EXFO “IQS-9100 Optical Switch”, Spec Sheet, available at www.exfo.com, 2015.

EXFO “IQS-8130NGE Power Blazer”, Next-Generation Multiservice Test Modules, Spec Sheet, available at www.exfo.com, 2014.

* cited by examiner

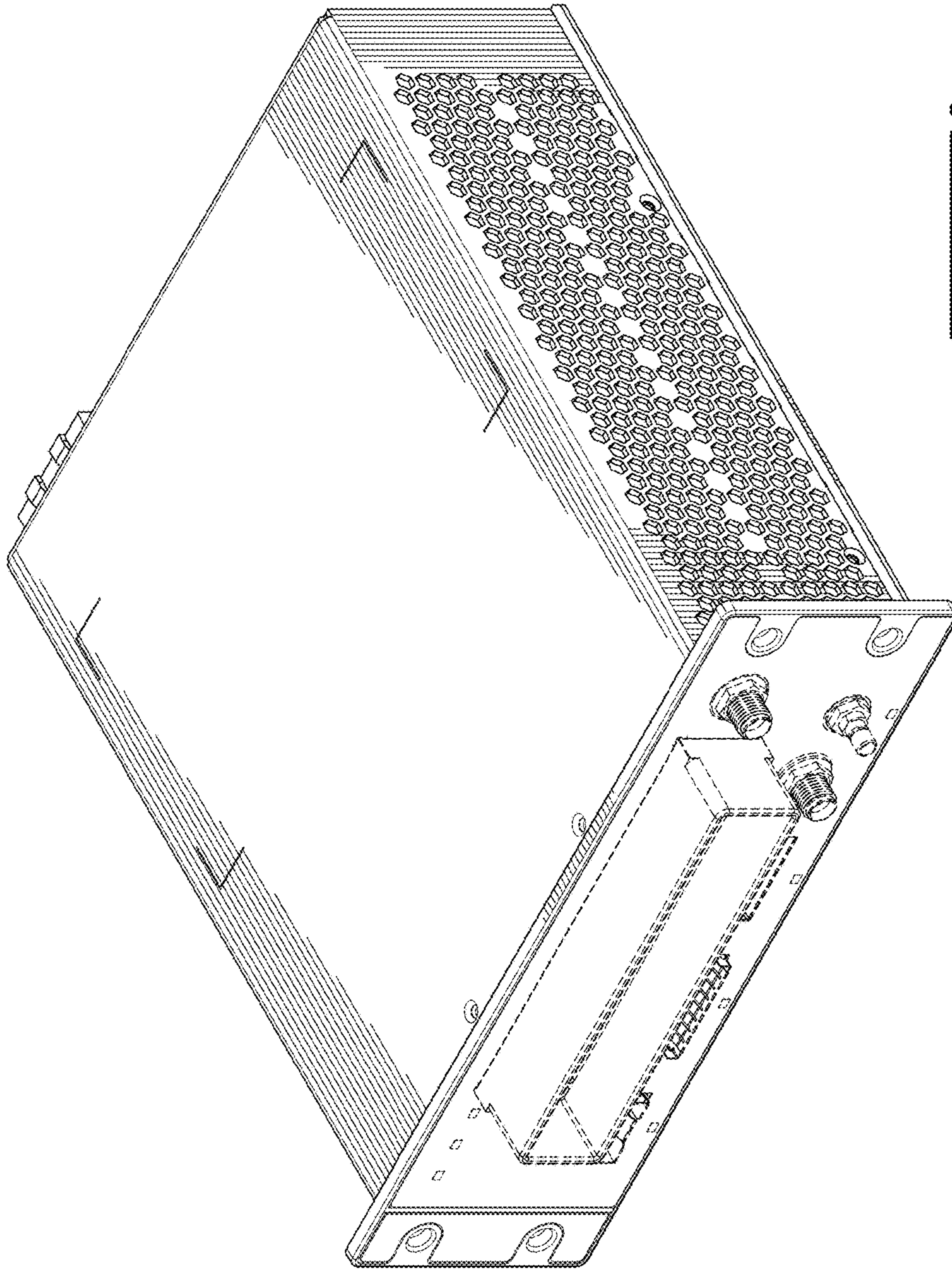


FIG. 1

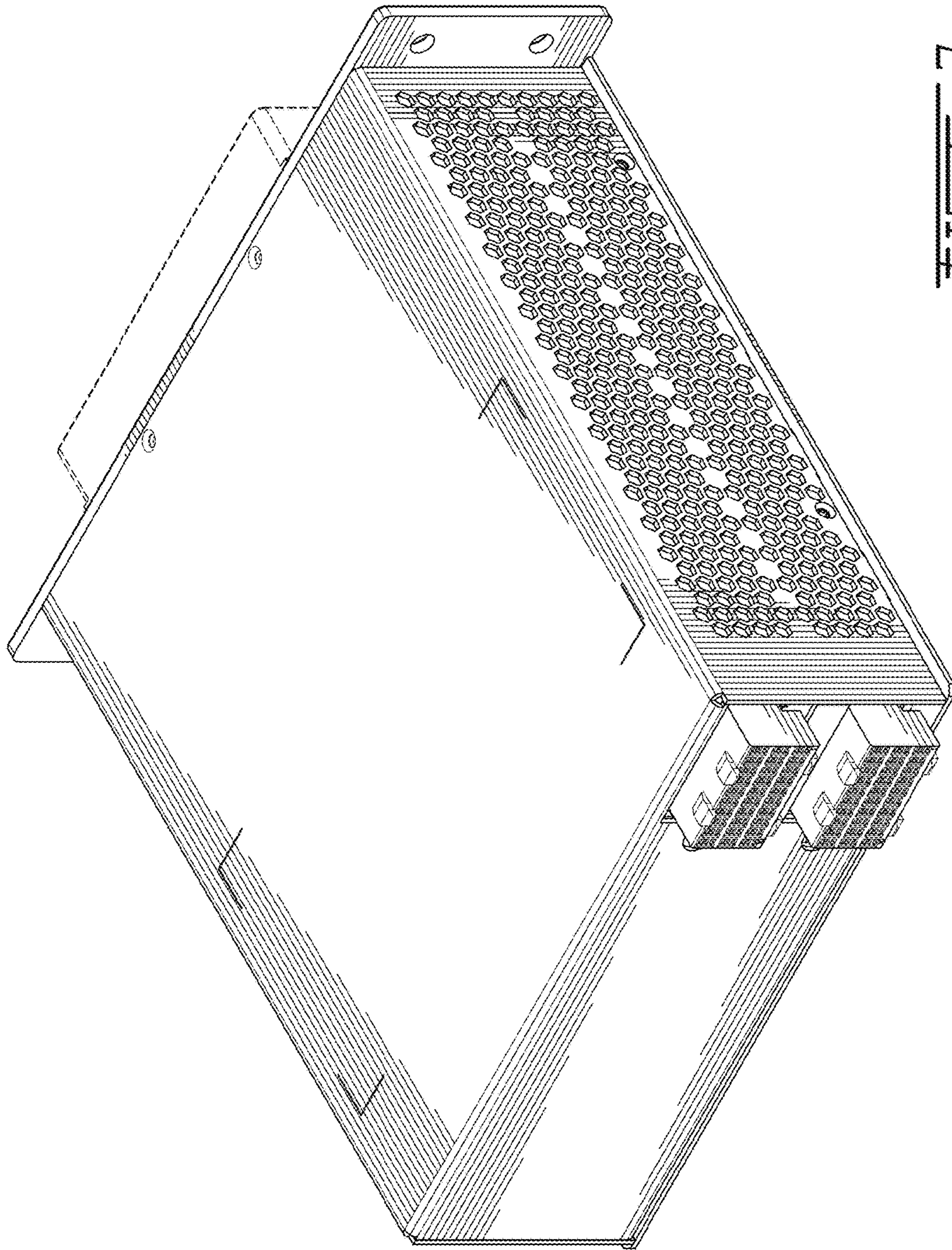


FIG. 2

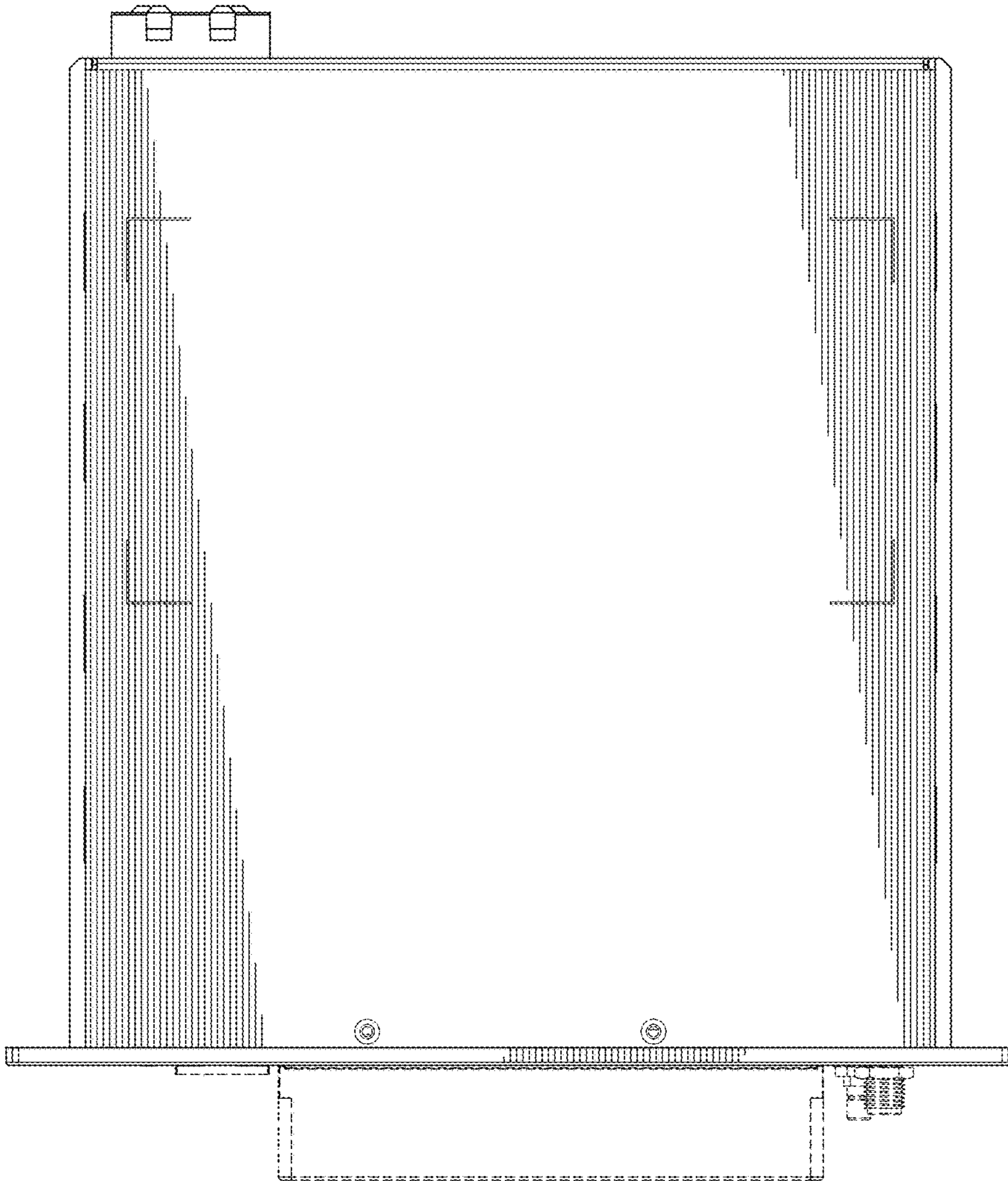


FIG. 3

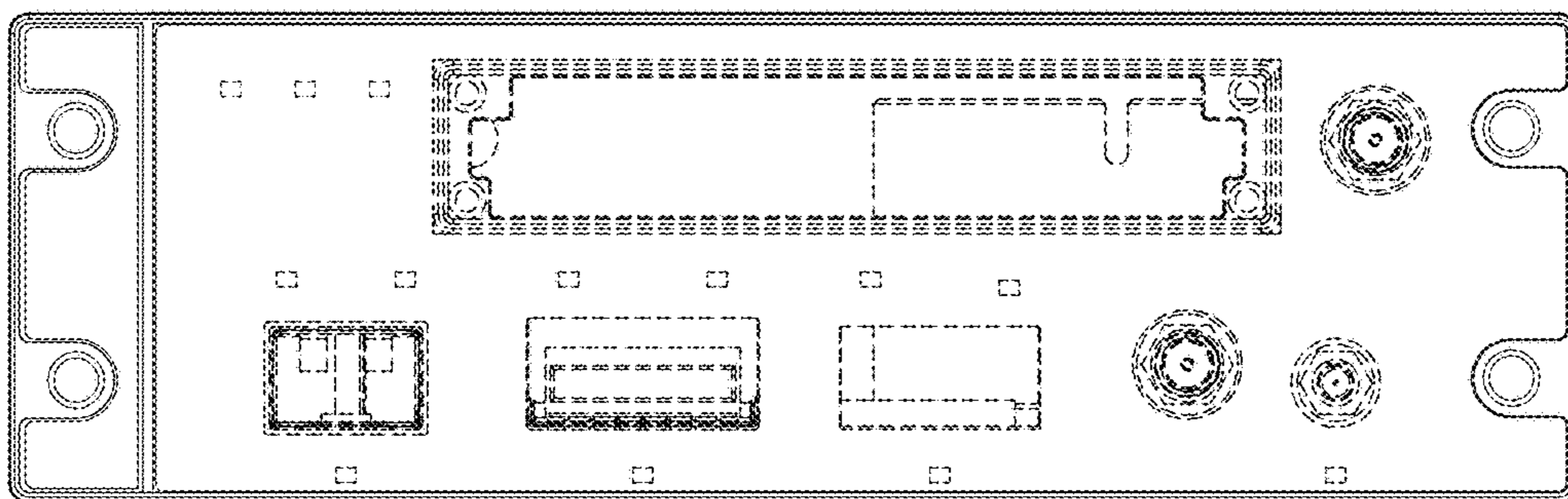


FIG. 4

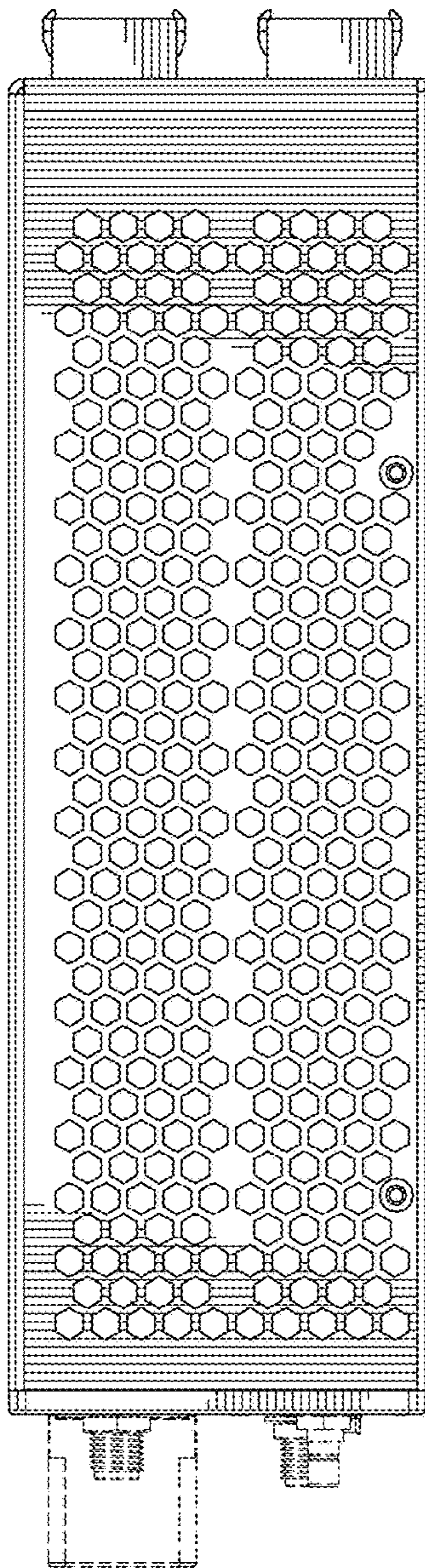


FIG. 5

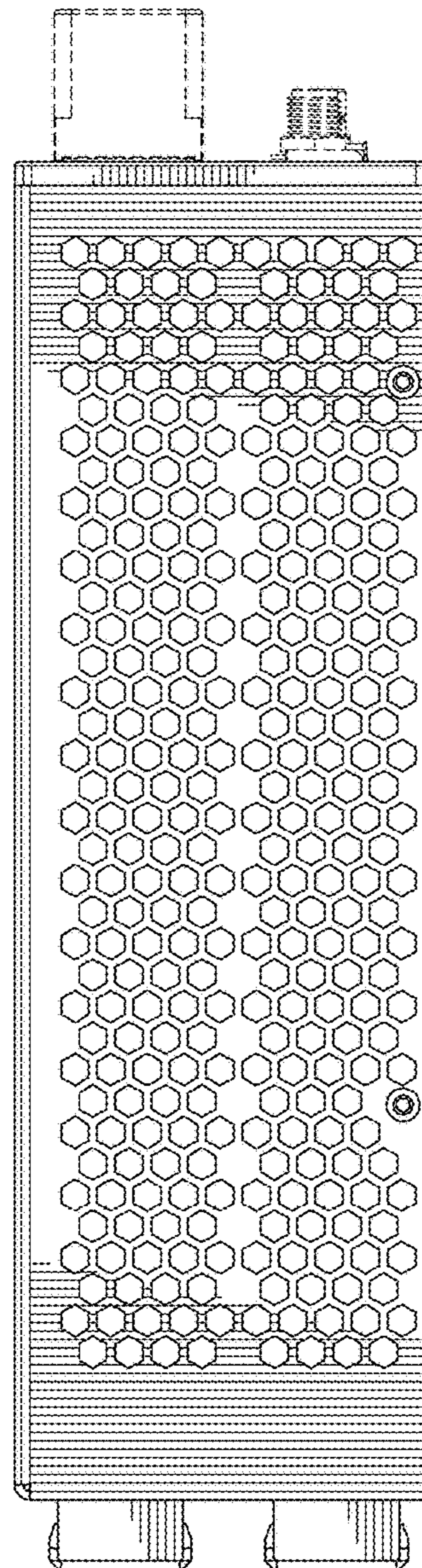


FIG. 6

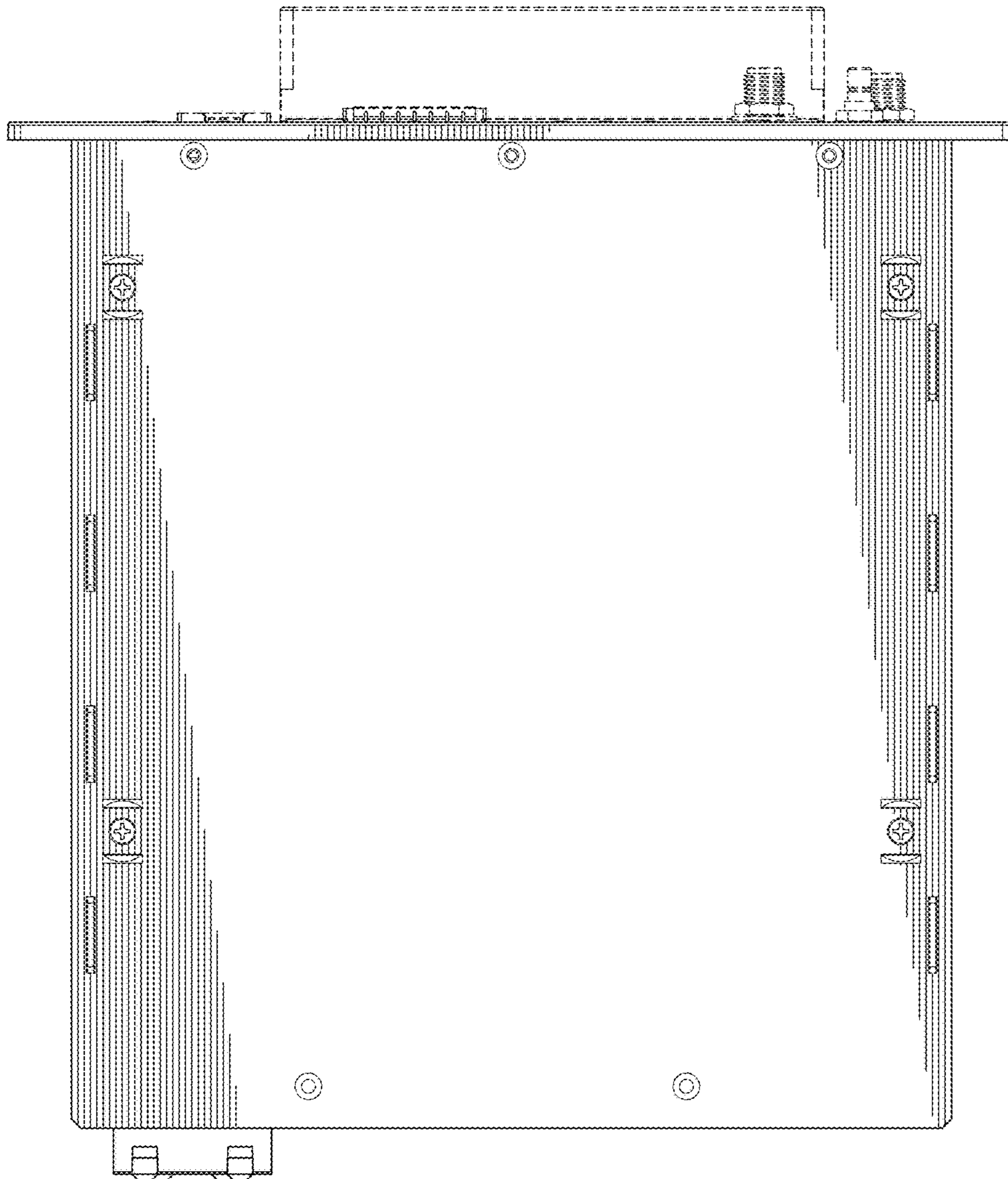


FIG. 7



FIG. 8