



US00D842143S

(12) **United States Design Patent**
Richey

(10) **Patent No.:** **US D842,143 S**
(45) **Date of Patent:** **** Mar. 5, 2019**

- (54) **MAGNETIC TAPE MEASURE MOUNT**
- (71) Applicant: **Brian Richey**, Arroyo Grande, CA (US)
- (72) Inventor: **Brian Richey**, Arroyo Grande, CA (US)
- (**) Term: **15 Years**
- (21) Appl. No.: **29/619,083**
- (22) Filed: **Sep. 27, 2017**
- (51) **LOC (11) Cl.** **10-04**
- (52) **U.S. Cl.**
USPC **D10/74**
- (58) **Field of Classification Search**
USPC D10/72, 74
CPC G01B 3/1056; G01B 2003/1074; G01B
2003/1076; G01B 2003/1079; G01B
2003/1048; G01B 3/1096; G01B 3/1041
See application file for complete search history.

(56) **References Cited**
U.S. PATENT DOCUMENTS

337,100	A	3/1886	White, Jr.	
3,233,802	A	2/1966	Ludwick	
4,736,877	A	4/1988	Clark	
D311,874	S *	11/1990	Ingram, II	D10/72
D315,109	S *	3/1991	Ingram, II	D10/72
5,025,966	A	6/1991	Potter	
5,213,240	A	5/1993	Dietz et al.	
D397,950	S *	9/1998	Blackman	D10/72
6,149,116	A	11/2000	Won	
6,161,741	A	12/2000	French	
6,267,277	B1	7/2001	Taylor	
6,401,253	B2	6/2002	Brunson	
6,457,252	B1	10/2002	Kershner	
6,502,727	B1	1/2003	Decoteau	
6,658,756	B1	12/2003	Cruz	
6,685,067	B2	2/2004	French	
6,824,028	B2	11/2004	Mutai et al.	
7,076,885	B2	7/2006	Potter	

7,114,592	B1	10/2006	Gibson et al.	
7,269,869	B1	9/2007	Ruffino	
7,322,068	B1	1/2008	Kim	
7,374,142	B2	5/2008	Carnevali	
7,431,251	B2	10/2008	Carnevali	
7,971,277	B2	7/2011	Romiti	
D670,586	S *	11/2012	Fetterly	D10/74
8,403,140	B2	3/2013	Woolery	
8,499,943	B1	8/2013	Neldner	
8,499,986	B2	8/2013	Knight et al.	
8,516,621	B2	8/2013	Woolery	
8,966,778	B2	3/2015	Rubin	
9,038,873	B2	5/2015	Moreau et al.	
9,167,884	B2	10/2015	Moreau et al.	
D773,325	S *	12/2016	Browning	D10/74
D808,831	S *	1/2018	Dempsey	D10/74
2004/0232291	A1	11/2004	Carnevali	

(Continued)

Primary Examiner — Antoine Duval Davis
(74) *Attorney, Agent, or Firm* — The Roy Gross Law Firm, LLC; Roy Gross

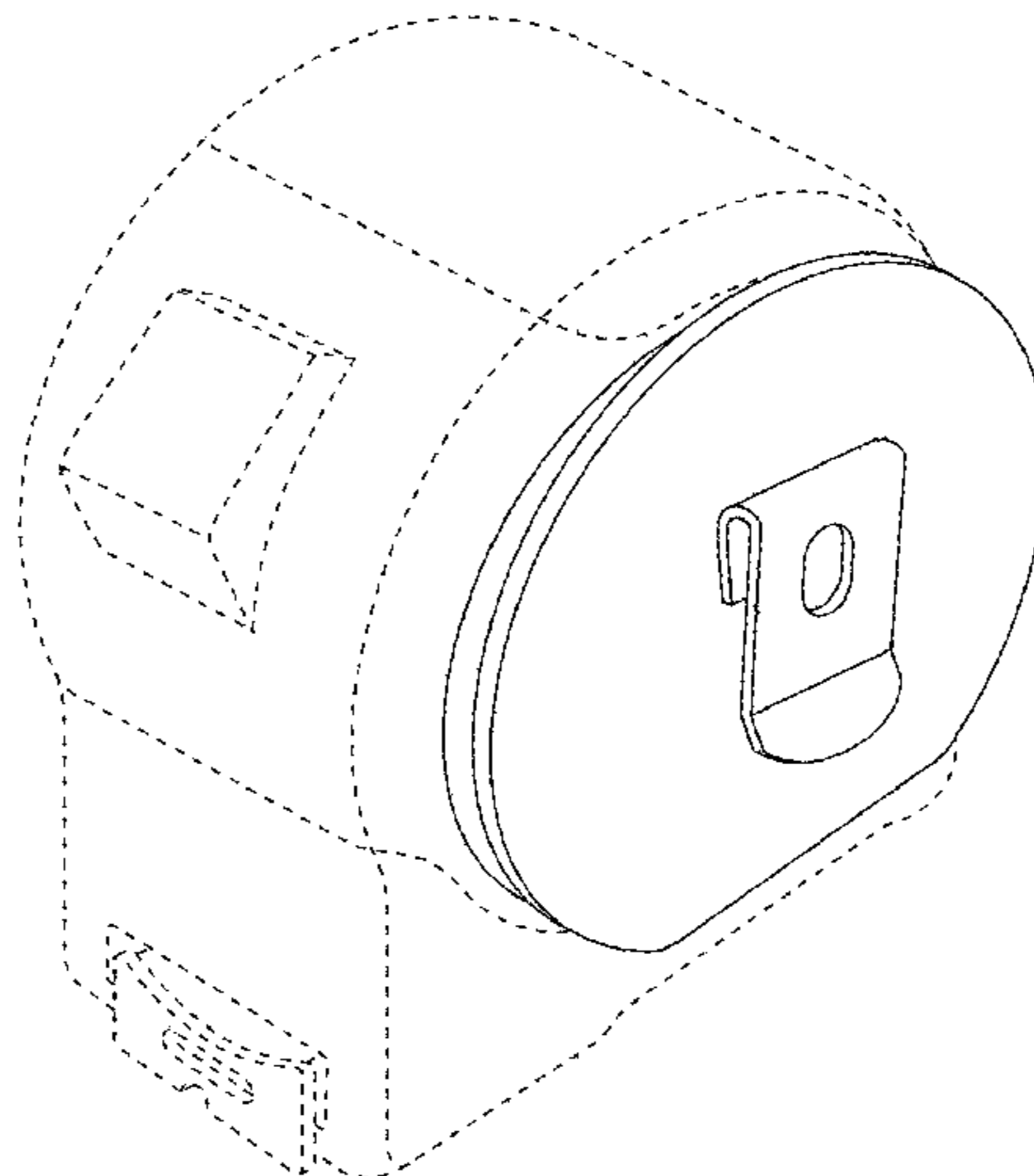
(57) **CLAIM**

The ornamental design for a magnetic tape measure mount, as shown and described.

DESCRIPTION

FIG. 1 is a front isometric view of a magnetic tape measure mount in accordance with the new design; FIG. 2 is a front view thereof; FIG. 3 is a rear view thereof; FIG. 4 is a right side view thereof; FIG. 5 is a left side view thereof; FIG. 6 is a top view thereof; and, FIG. 7 is a bottom view thereof. The broken lines shown in FIGS. 1-7 are directed to environment and are for illustrative purposes only; the broken lines form no part of the claimed design.

1 Claim, 3 Drawing Sheets



(56)

References Cited

U.S. PATENT DOCUMENTS

2005/0145656	A1	7/2005	Knight et al.
2005/0268480	A1	12/2005	Potter
2007/0099469	A1	5/2007	Sorensen
2009/0094801	A1	4/2009	Woolery
2009/0095785	A1	4/2009	Woolery
2009/0145938	A1	6/2009	Kahn
2009/0314813	A1	12/2009	Woolery
2010/0025442	A1	2/2010	Shurm
2010/0095427	A1	4/2010	Romiti
2011/0005944	A1	1/2011	Woolery
2011/0308048	A1	12/2011	Raccah
2013/0126541	A1	5/2013	Woolery
2014/0020256	A1	1/2014	Rubin

* cited by examiner

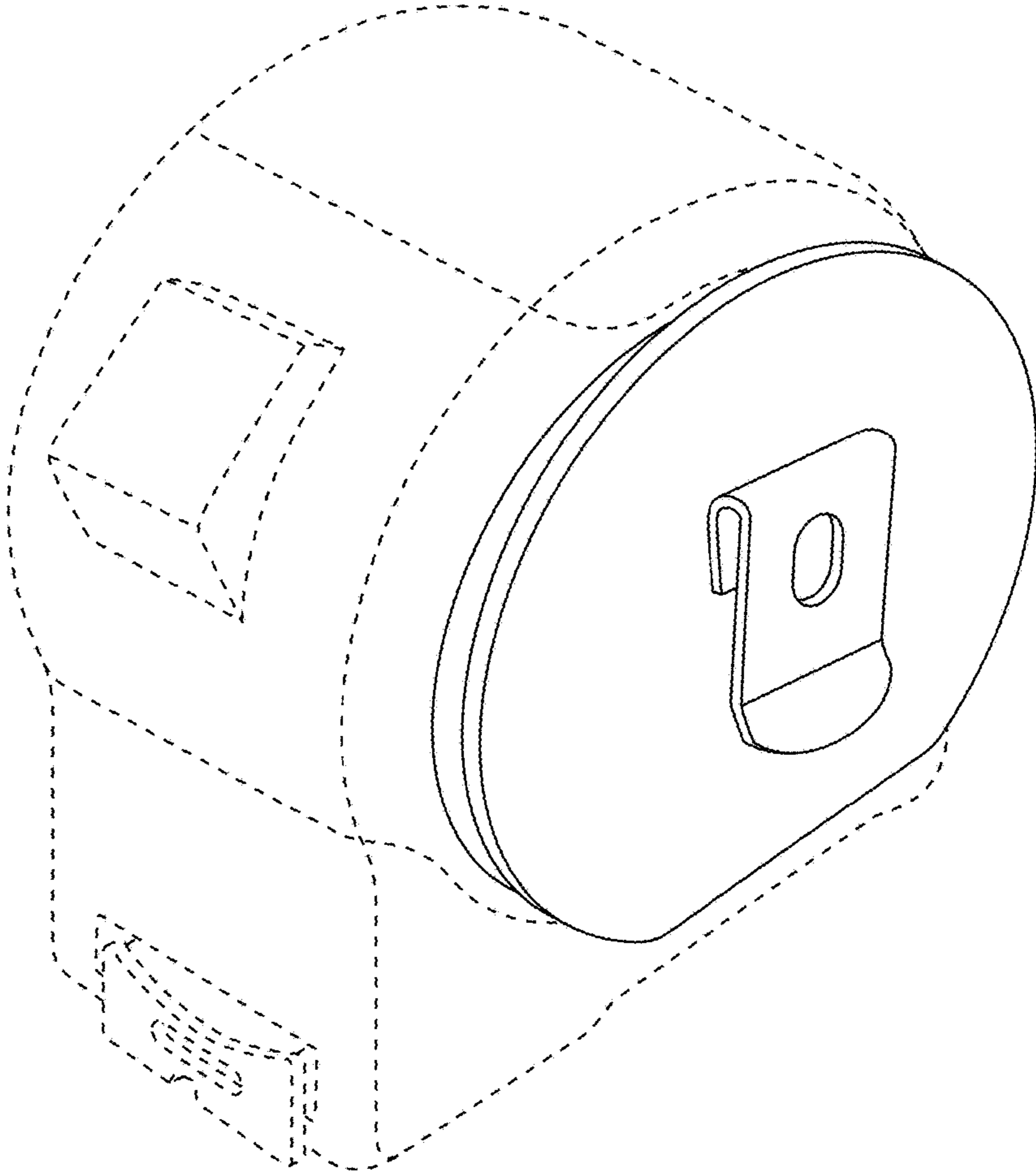


FIG. 1

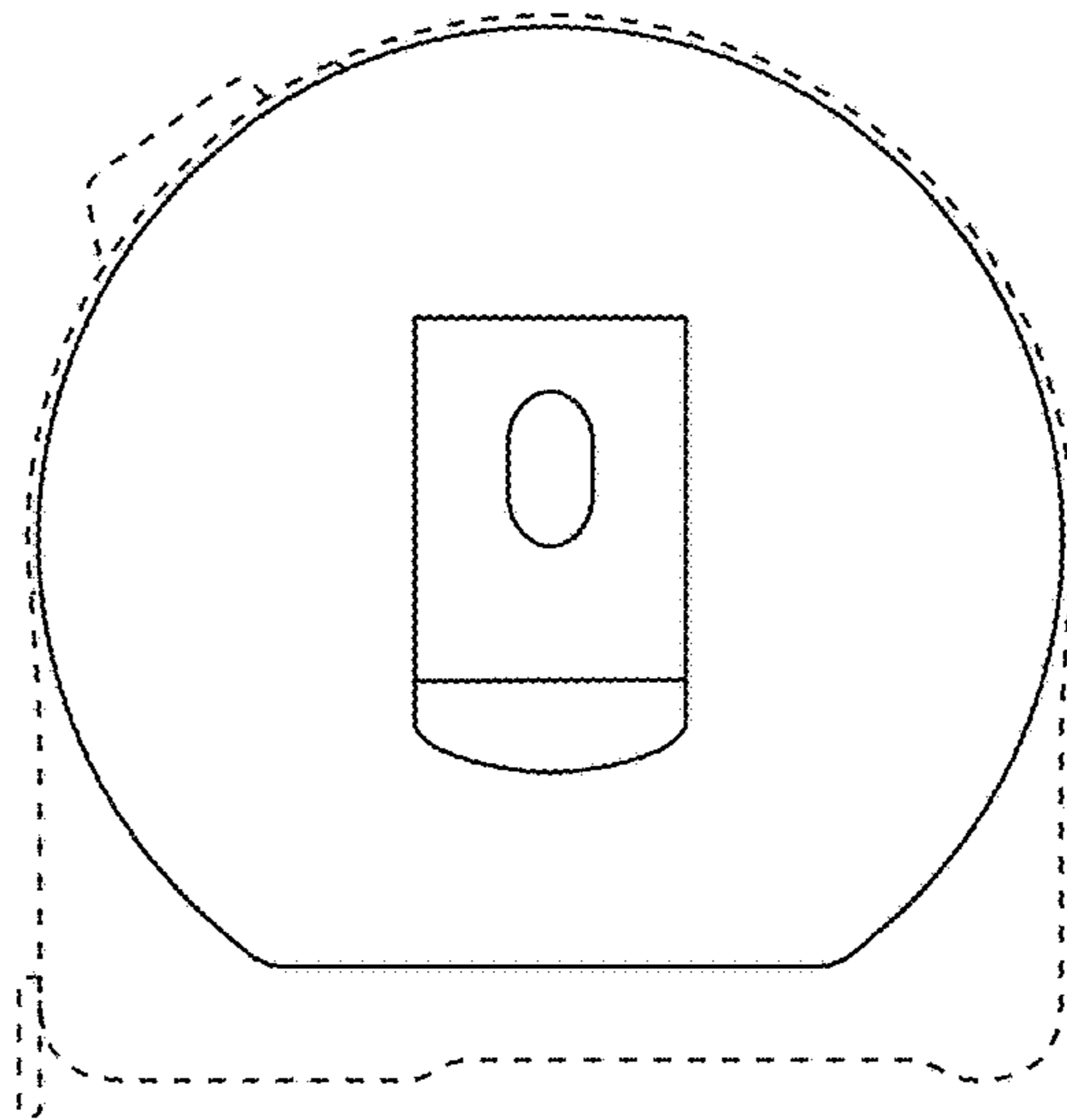


FIG. 2

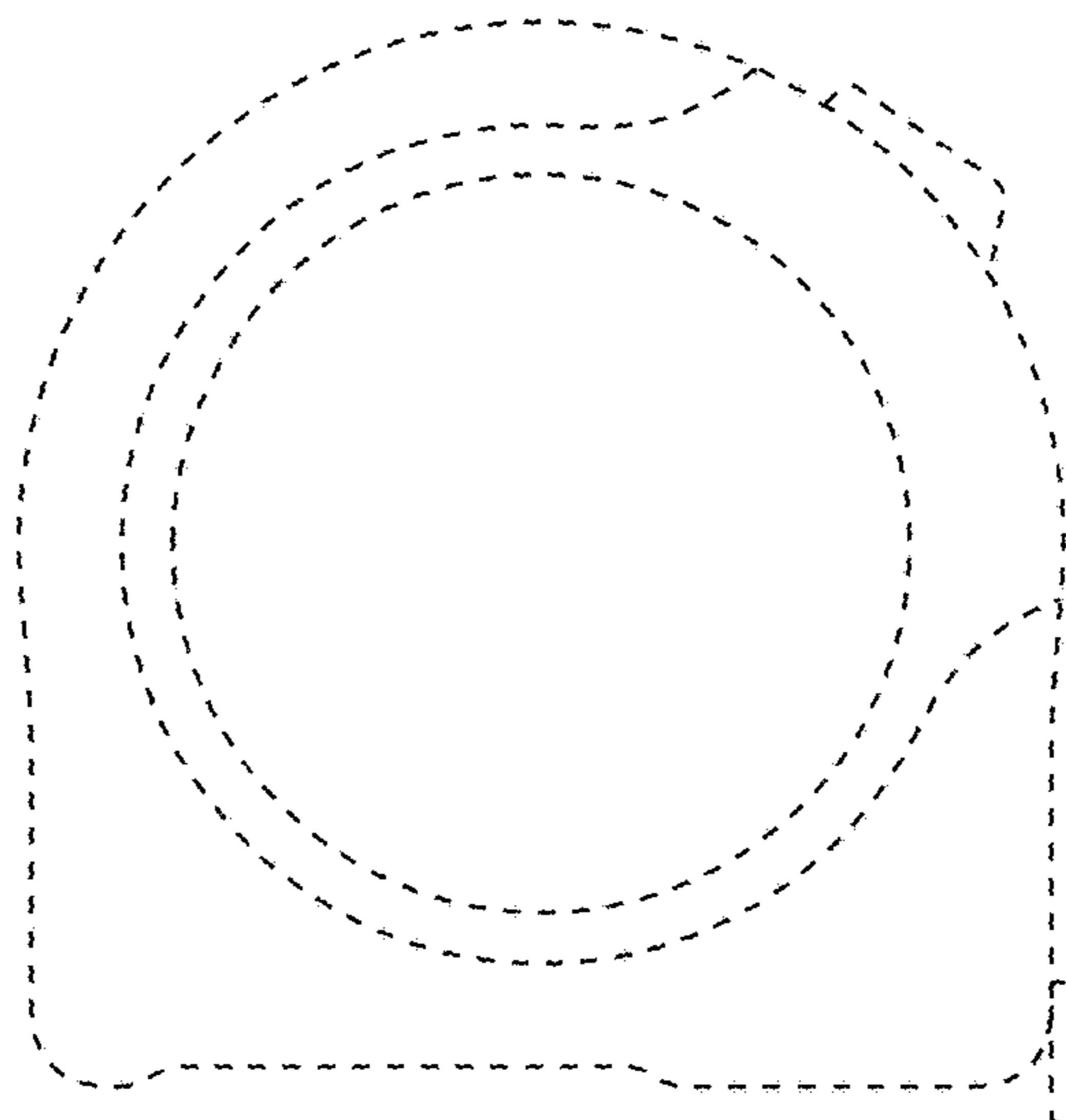


FIG. 3

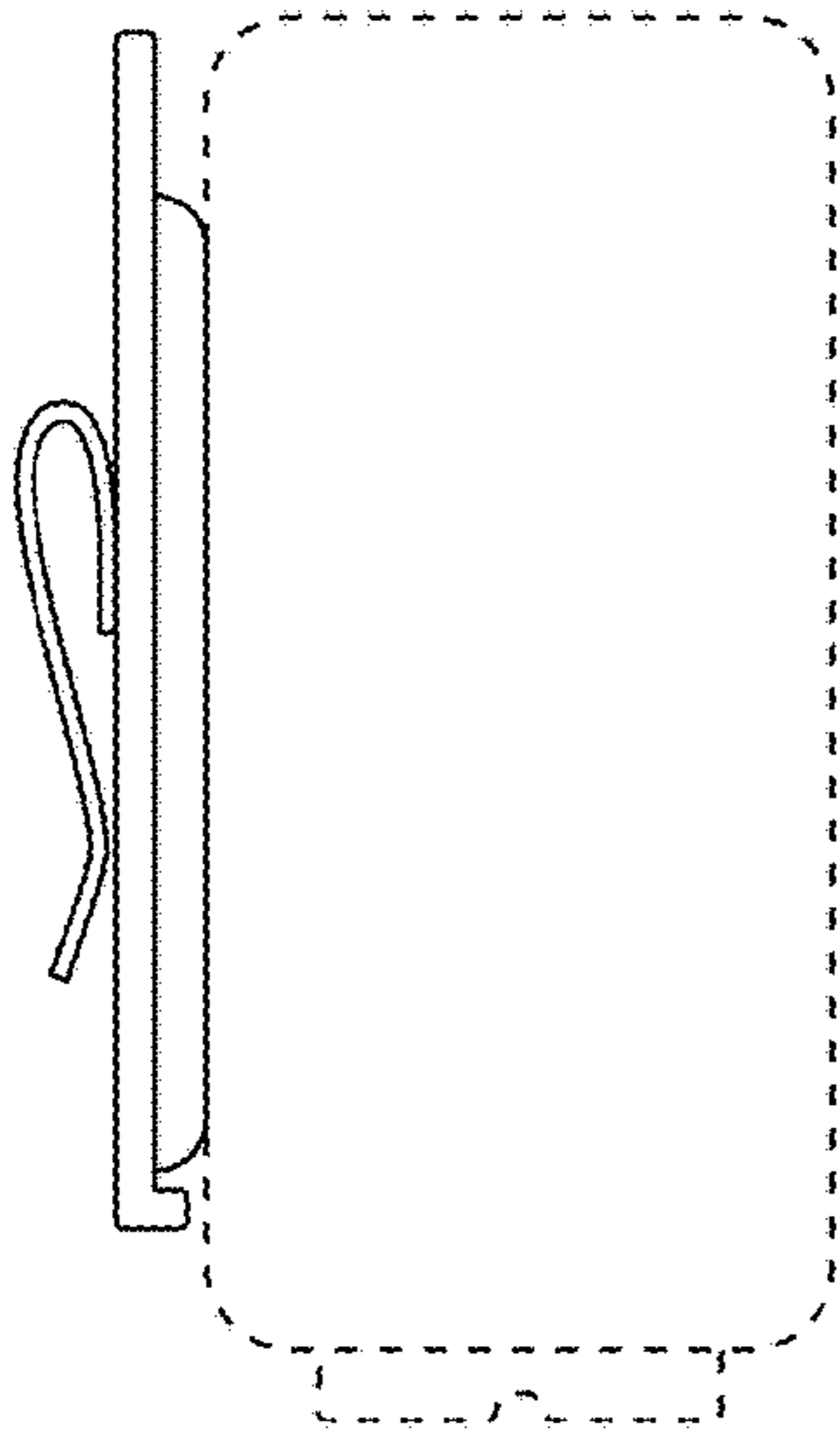


FIG. 4

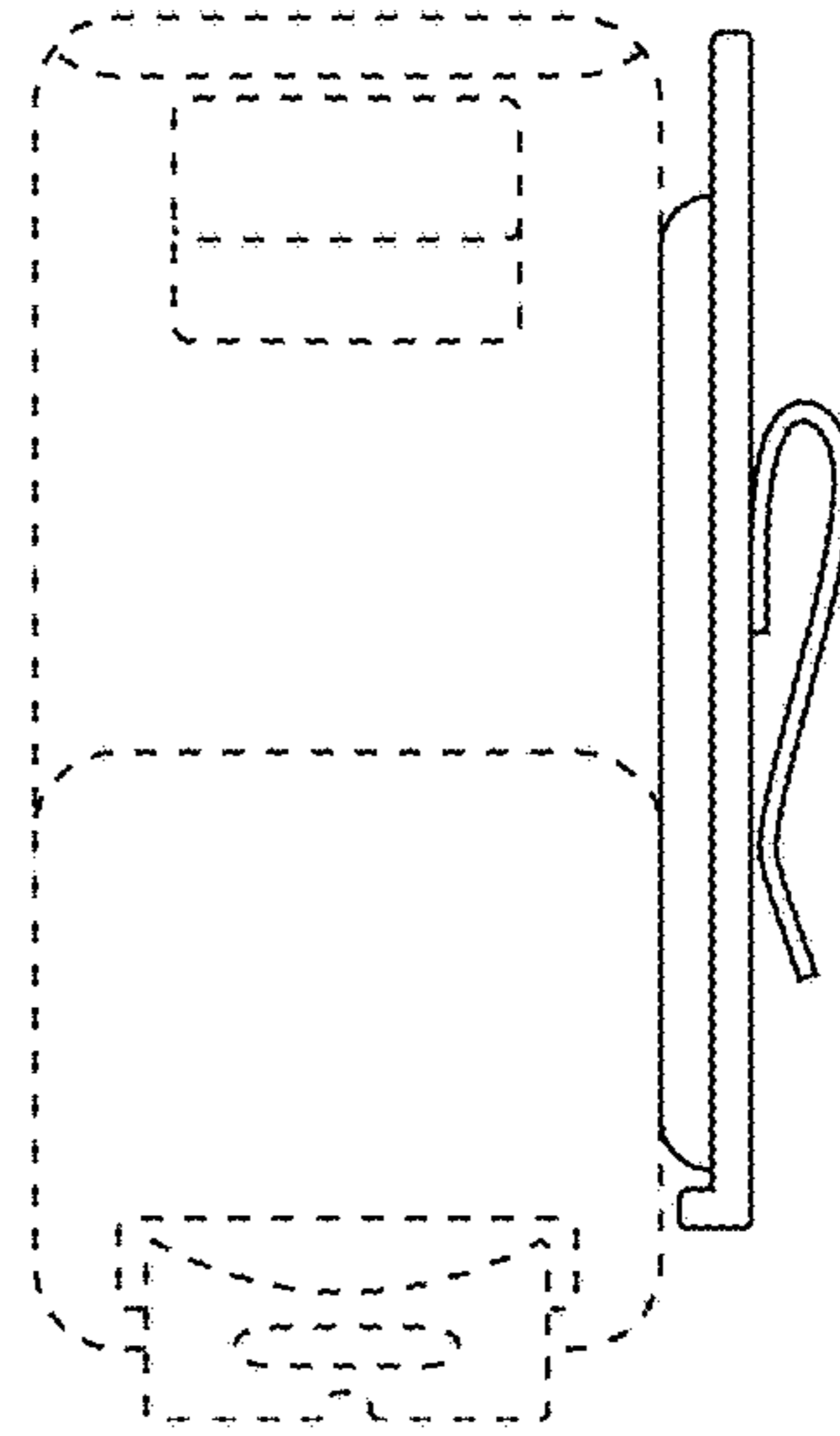


FIG. 5

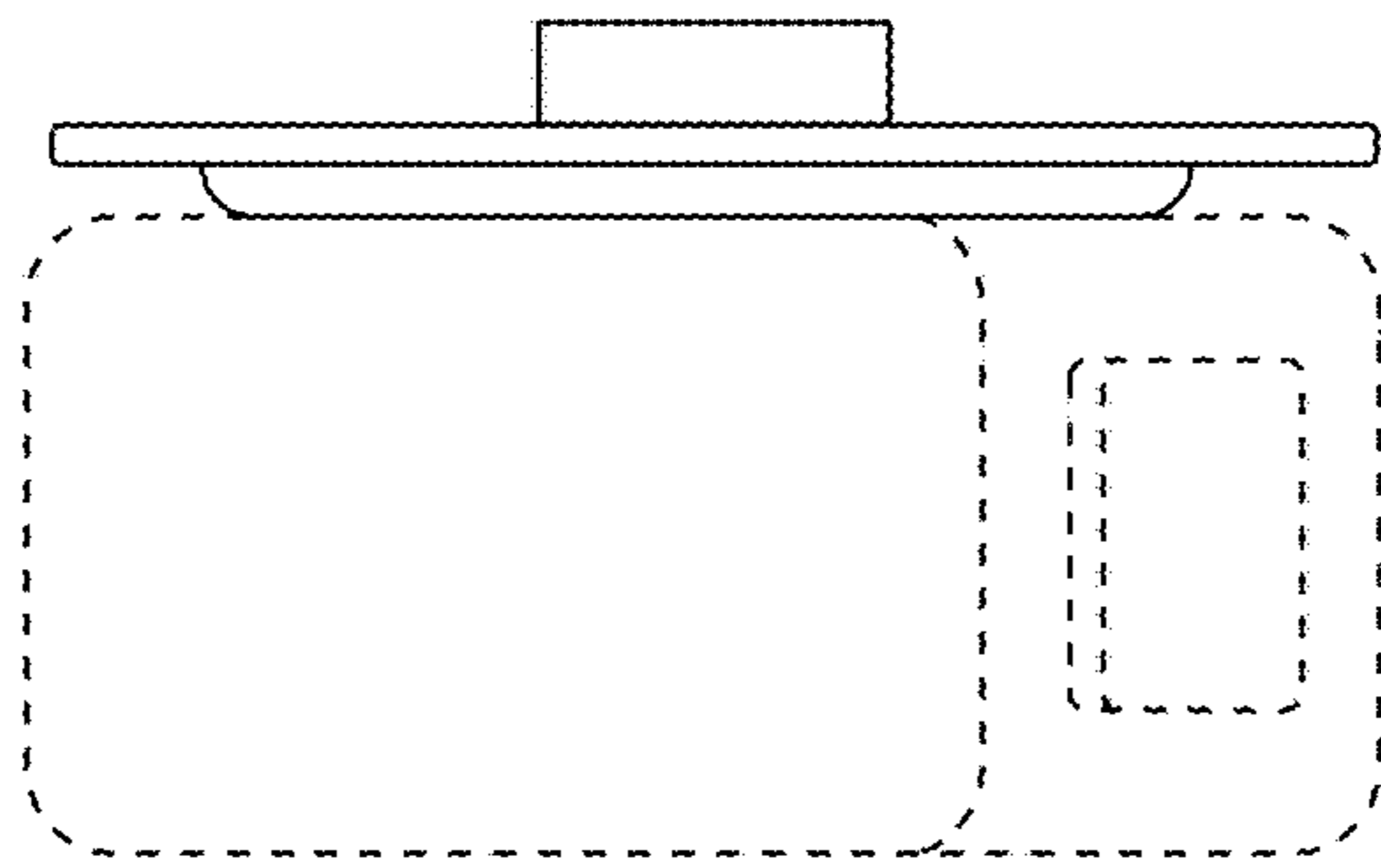


FIG. 6

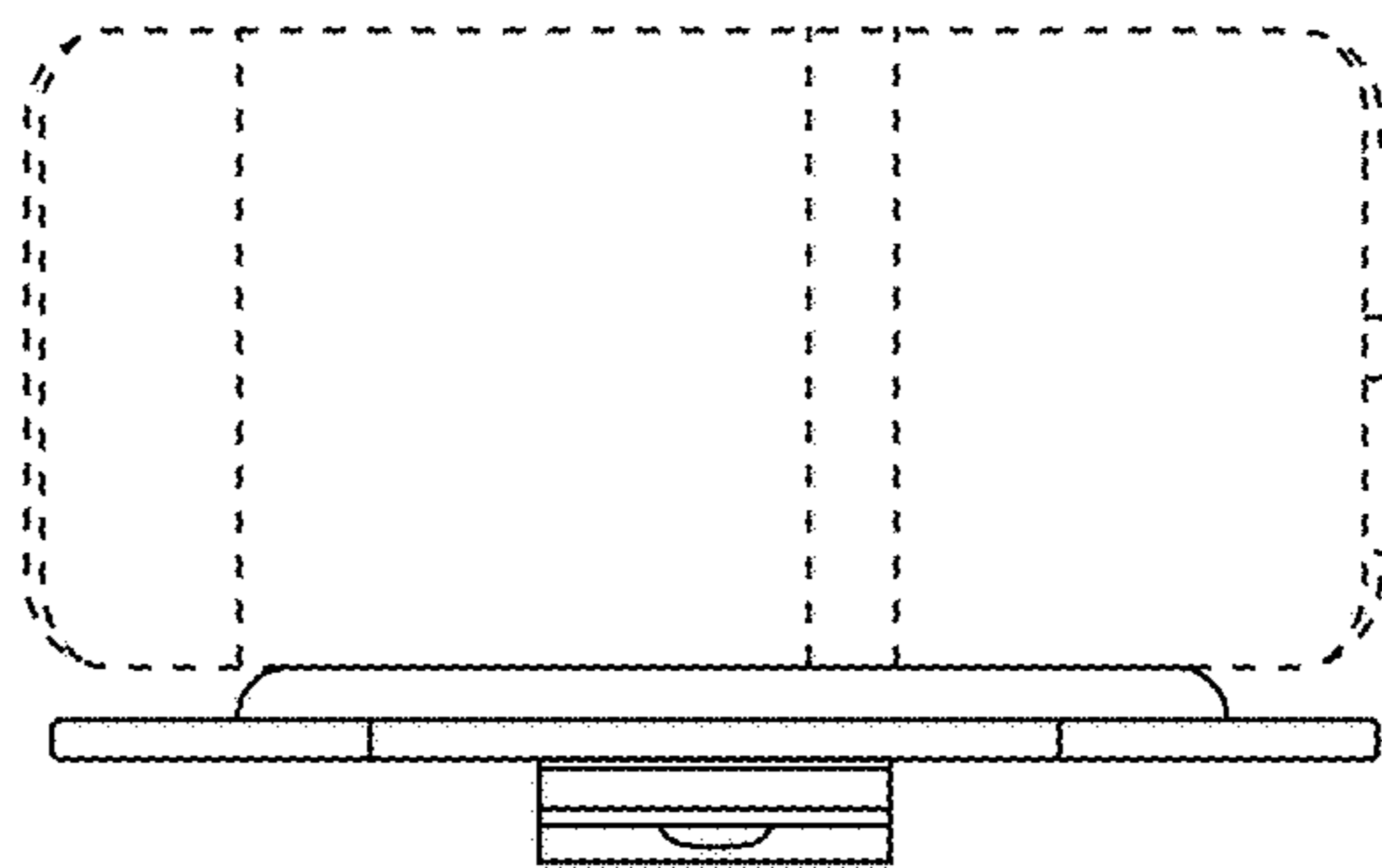


FIG. 7