



US00D842140S

(12) **United States Design Patent**
Kato et al.

(10) **Patent No.:** **US D842,140 S**
(45) **Date of Patent:** **** Mar. 5, 2019**

(54) **MOBILE MAPPING DEVICE**
(71) Applicant: **MITSUBISHI ELECTRIC CORPORATION**, Tokyo (JP)
(72) Inventors: **Shinichi Kato**, Tokyo (JP); **Ian Emerson Random**, Tokyo (JP); **Kiyotaka Watanabe**, Tokyo (JP)
(73) Assignee: **Mitsubishi Electric Corporation**, Tokyo (JP)

4,166,687 A * 9/1979 Viering F16M 11/42 396/1
4,852,896 A * 8/1989 Mills A63B 55/00 280/47.18
D310,075 S * 8/1990 Mannion 348/373
D318,867 S * 8/1991 Mitchell D14/129
D341,613 S * 11/1993 Ando D16/200
D391,944 S * 3/1998 Han D14/356
D424,086 S * 5/2000 Choi D16/202
D524,505 S * 7/2006 Babkes D34/14
D632,985 S * 2/2011 Scheyer D10/66
D664,460 S * 7/2012 Aurongzeb D10/106.6

(**) Term: **15 Years**

(21) Appl. No.: **29/597,453**

(22) Filed: **Mar. 17, 2017**

(30) **Foreign Application Priority Data**

Sep. 30, 2016 (JP) 2016-021158

(51) **LOC (11) Cl.** **10-04**

(52) **U.S. Cl.**
USPC **D10/66; D16/207; D10/65**

(58) **Field of Classification Search**
USPC D16/200–220, 131, 237, 242, 239, 250, D16/235, 130, 134, 136, 245; D26/118, D26/138–140; D30/110, 119, 124; D14/242, 203.1, 203.3, 203.7; D10/74, D10/50, 64, 66
CPC H04M 2250/52; H04N 5/2251; H04N 5/2252; H04N 5/2253; H01H 2231/046; G02B 13/00; G02B 13/19621; G03B 11/048; G03B 11/04; G03B 11/041; G03B 11/043; G03B 11/045
See application file for complete search history.

(56) **References Cited**

U.S. PATENT DOCUMENTS

2,990,764 A * 7/1961 Wilder F16M 11/42 182/127
D217,396 S * 4/1970 Gentile 348/373

FOREIGN PATENT DOCUMENTS

WO WO D096048-001 * 9/2017

Primary Examiner — Barbara Fox

Assistant Examiner — Mary C Ramirez

(74) *Attorney, Agent, or Firm* — Studebaker & Brackett PC

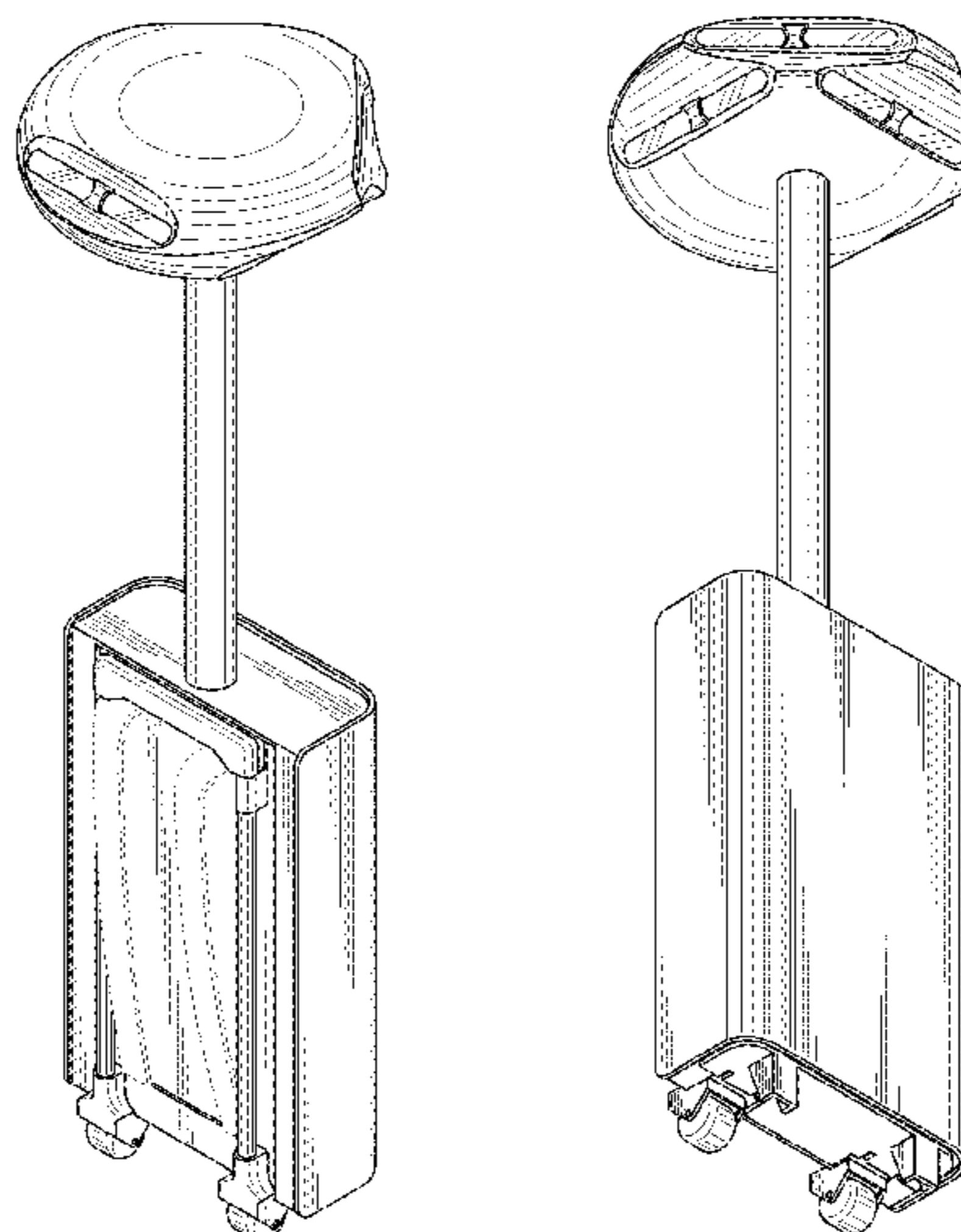
(57) **CLAIM**

The ornamental design for a mobile mapping device, as shown and described.

DESCRIPTION

FIG. 1 is a front, top, right side perspective view of a mobile mapping device showing our new design;
FIG. 2 is a rear, bottom, and right side perspective view thereof;
FIG. 3. is a front view thereof;
FIG. 4. is a rear view thereof;
FIG. 5. is a left side view thereof;
FIG. 6. is a right side view thereof;
FIG. 7 is a top view thereof; and,
FIG. 8. is a bottom view thereof.
The broken lines shown in the drawings depict portions of the mobile mapping device that form no part of the claimed design.

1 Claim, 8 Drawing Sheets



(56)

References Cited

U.S. PATENT DOCUMENTS

8,251,269 B2 * 8/2012 Winneur A45C 9/00
224/629
D708,969 S * 7/2014 Ishii D10/65
D708,970 S * 7/2014 Ishii D10/66
D721,757 S * 1/2015 Shepard D16/214
D733,208 S * 6/2015 Tzarnotzky D16/207
D735,066 S * 7/2015 Otsuki D10/103
D766,753 S * 9/2016 Ishii D10/66
D766,755 S * 9/2016 Ishii D10/66
D800,816 S * 10/2017 Fujita D16/202
D815,963 S * 4/2018 Nishio D10/74
D818,024 S * 5/2018 Chen D16/202
D821,479 S * 6/2018 Cabral D16/207
2017/0227361 A1 * 8/2017 El-Sheimy G01C 21/20

* cited by examiner

FIG. 1

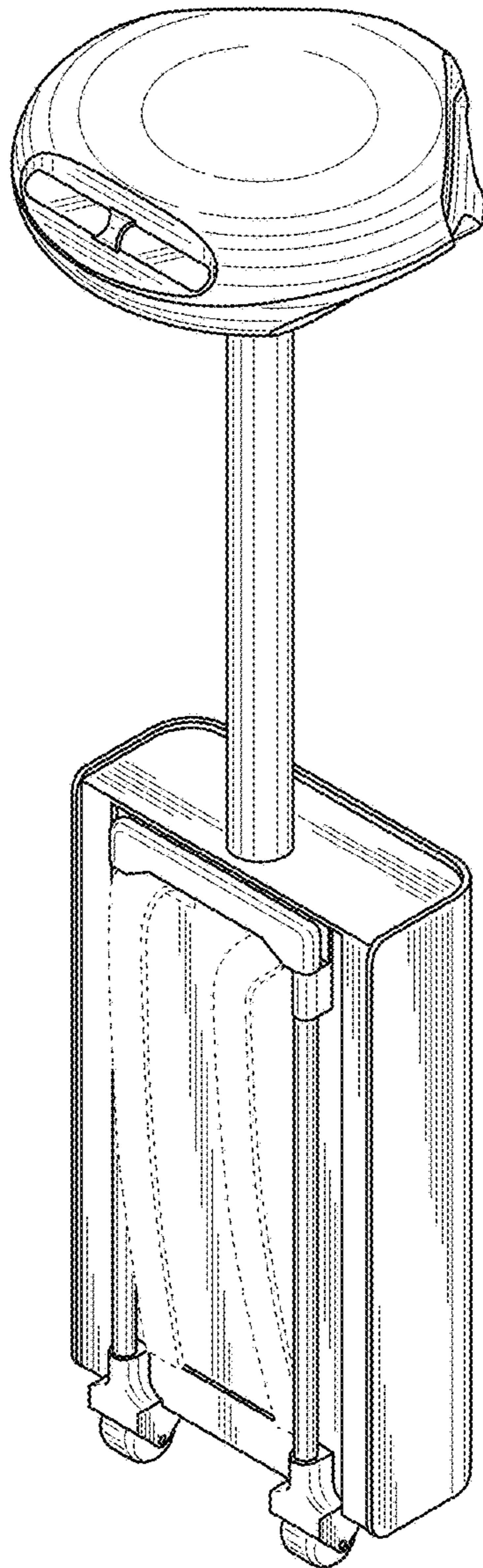


FIG. 2

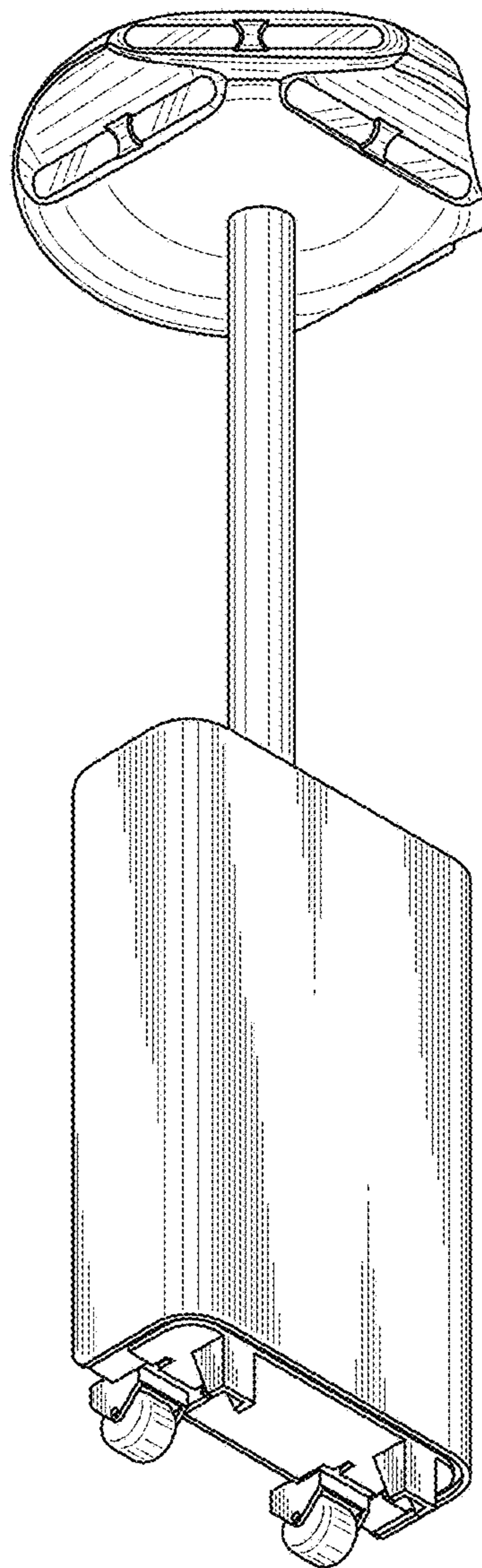


FIG. 3

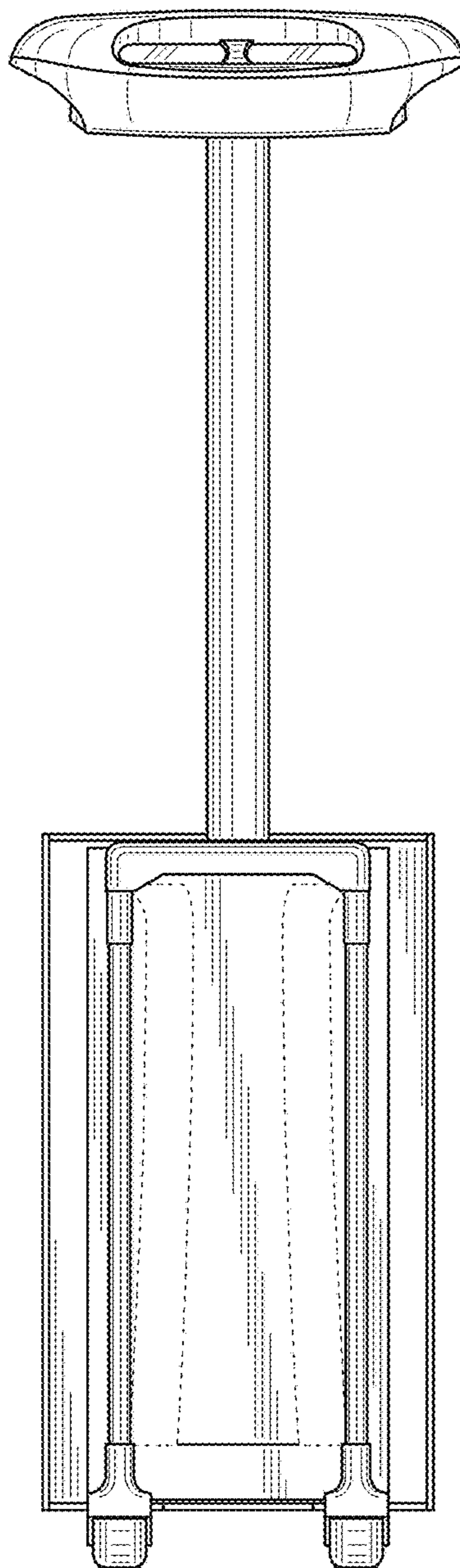


FIG. 4

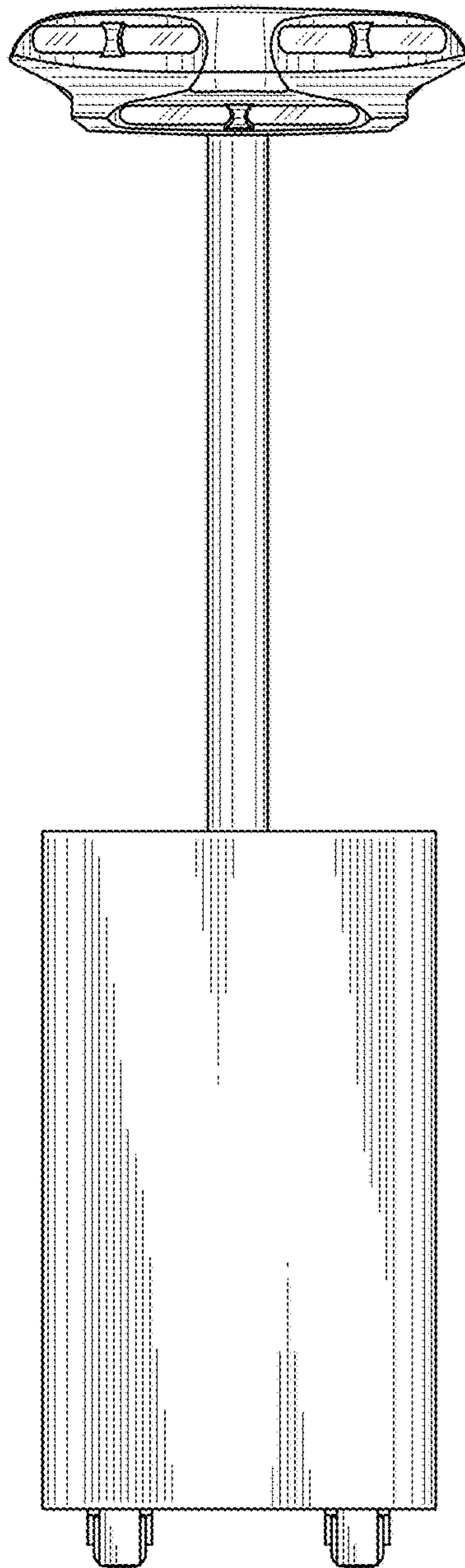


FIG. 5

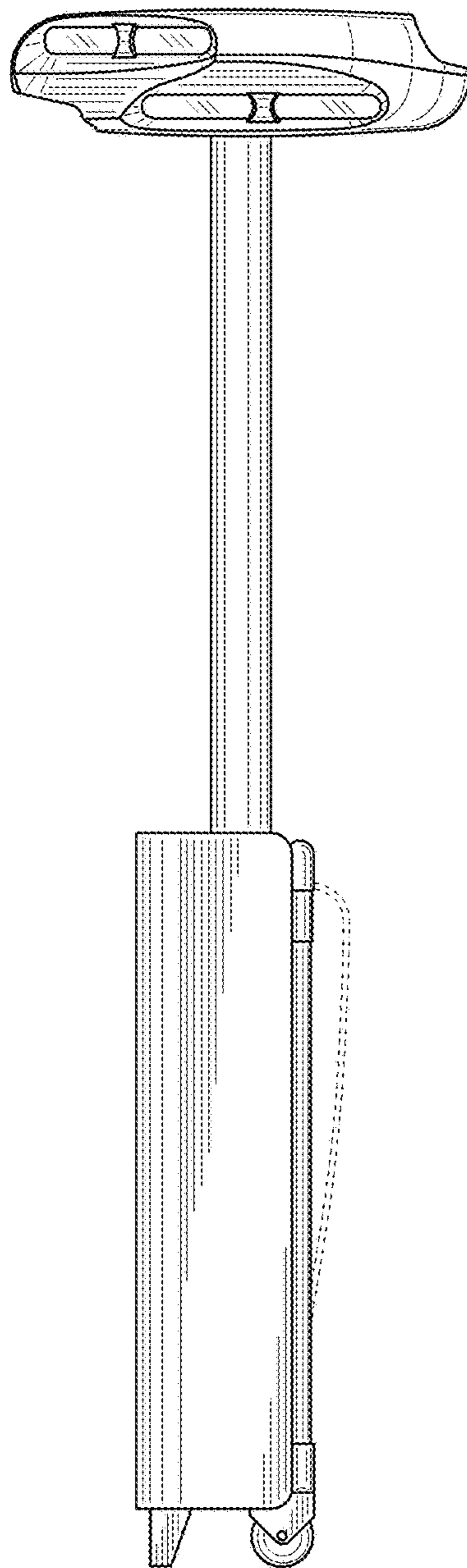


FIG. 6

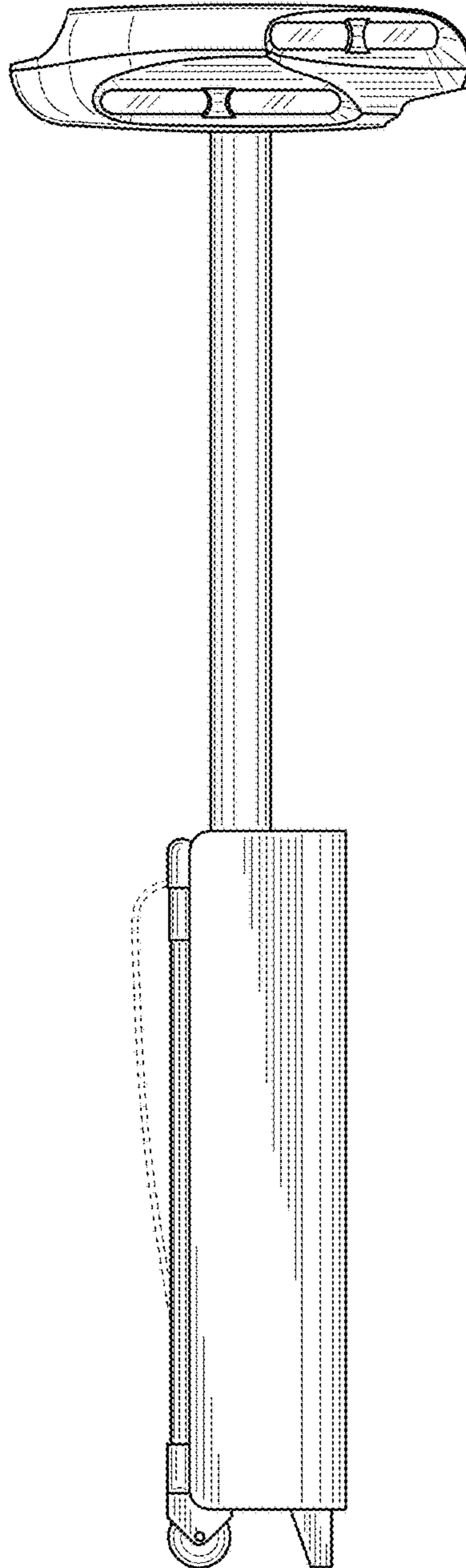


FIG. 7

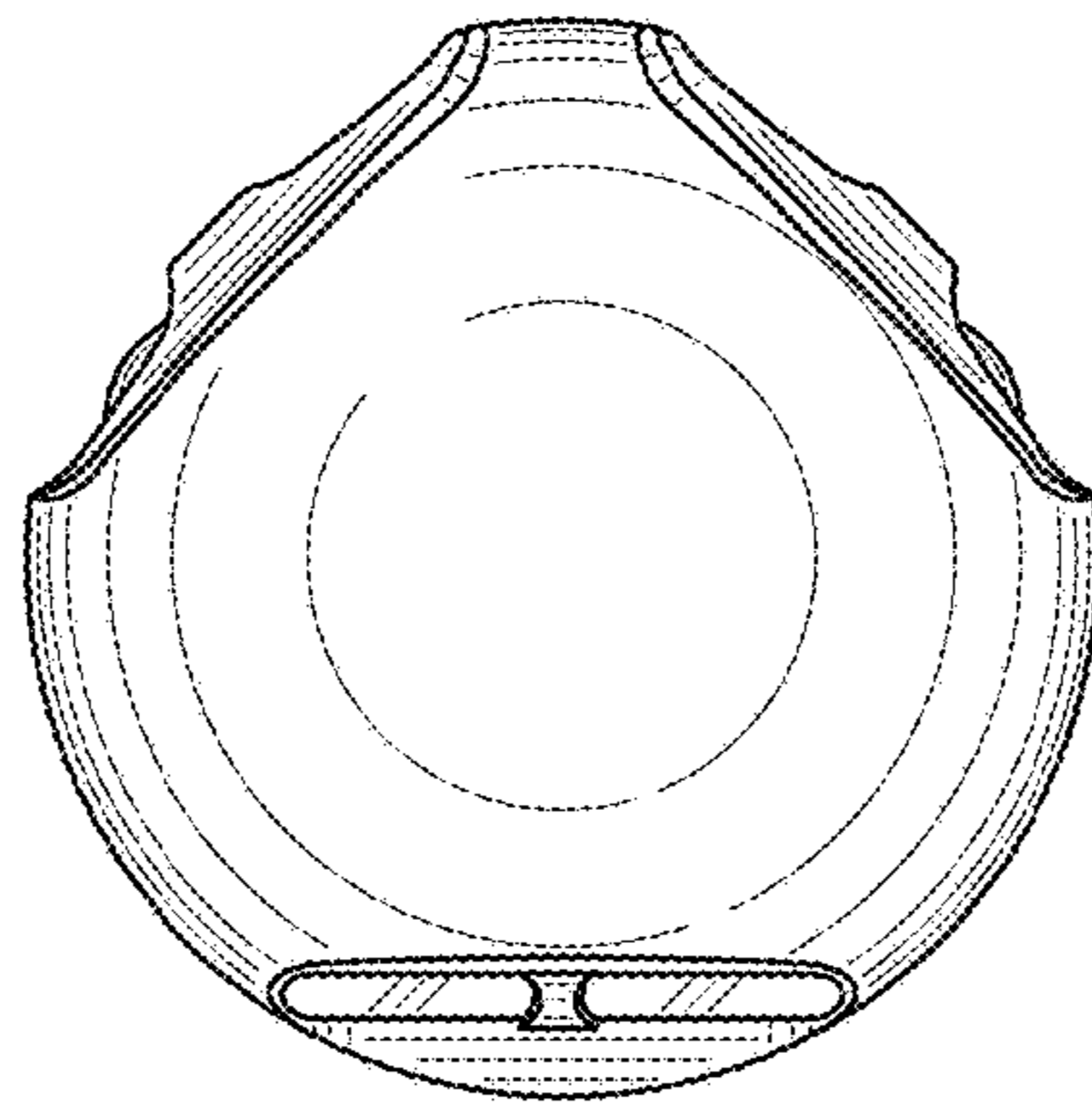


FIG. 8

