



US00D842133S

(12) **United States Design Patent**
Doi et al.

(10) **Patent No.:** **US D842,133 S**
(45) **Date of Patent:** **** Mar. 5, 2019**

(54) **ENVIRONMENT SENSOR**

(71) Applicant: **Fujikura Ltd.**, Tokyo (JP)

(72) Inventors: **Yoshiharu Doi**, Sakura (JP); **Ryo Yamaguchi**, Sakura (JP); **Hiroyuki Kito**, Sakura (JP); **Yasuyuki Seki**, Sakura (JP); **Kenta Kaneeda**, Sakura (JP)

(73) Assignee: **FUJIKURA LTD.**, Tokyo (JP)

(**) Term: **15 Years**

(21) Appl. No.: **29/608,517**

(22) Filed: **Jun. 22, 2017**

(30) **Foreign Application Priority Data**

Dec. 27, 2016 (JP) 2016-028334

(51) **LOC (11) Cl.** **10-04**

(52) **U.S. Cl.**
USPC **D10/53; D10/52**

(58) **Field of Classification Search**
USPC D10/49, 50, 52, 53, 55, 56, 57, 60
CPC .. F24F 11/0015; F24F 11/001; F24F 11/0012;
F24F 2011/0016; F24F 2011/0061; F24F
2011/0063; F24F 2011/0064; F24F
2011/0091; F24F 2011/0093; F24F
2011/0094; F24F 2221/17; F24F 2221/26;
G05D 23/1902; G05D 23/1917; G05D
23/1909; G05D 23/1927; G05D 22/00;
G05D 22/02; G01N 27/048; G01N
27/223; G01N 29/045; G01N 29/12;
G01N 29/2475; G01N 29/2481; G01J
5/00-5/62; G01J 1/429; G01K 1/00-1/26;
G01K 3/00-3/145; G01K 5/00-5/72;
G01K 7/00-7/427; G01K 9/00; G01K
11/00-11/324; G01K 17/00-17/20; G01K
2201/00-2201/02; G01K 2203/00; G01K
2205/00-2205/04; G01K

2207/00-2207/08; G01K 2211/00; G01K
2213/00; G01K 2215/00; G01K 2217/00;
G01K 2219/00; G01D 1/245; G01B 5/30;
G01M 5/0075; A06B 24/021; A63B
24/0084; A63B 24/0062; A63B
(Continued)

(56) **References Cited**

U.S. PATENT DOCUMENTS

D359,698 S * 6/1995 Pierret D10/49
D466,421 S * 12/2002 Leveridge D10/50
(Continued)

Primary Examiner — Antoine Duval Davis

(74) *Attorney, Agent, or Firm* — Westerman, Hattori,
Daniels & Adrian, LLP

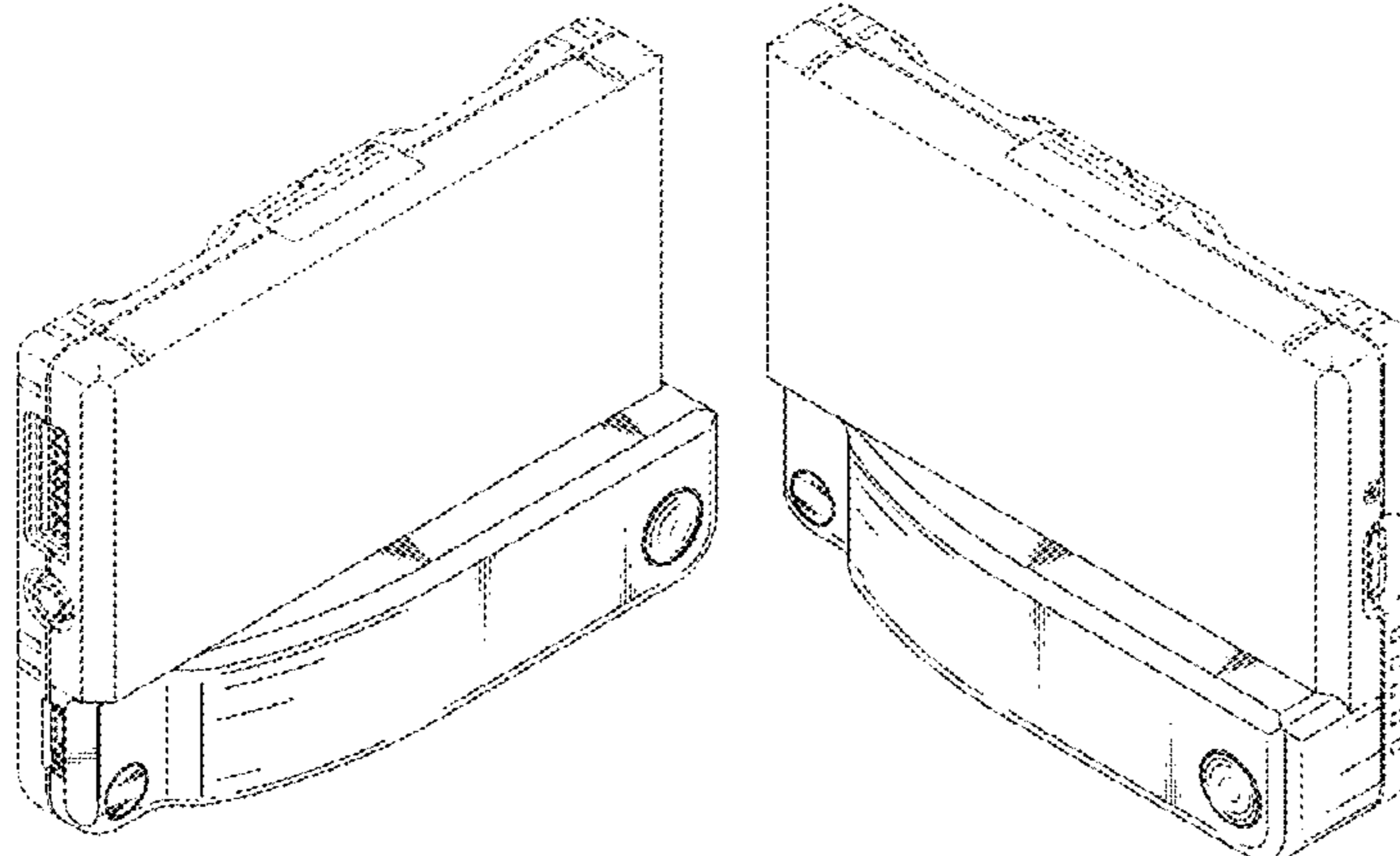
(57) **CLAIM**

The ornamental design for an environment sensor, as shown
and described.

DESCRIPTION

FIG. 1 is a front, left and top perspective view of an
environment sensor.
FIG. 2 is front, right and top perspective view thereof.
FIG. 3 is a front, right and bottom perspective view thereof.
FIG. 4 is a front, left and bottom perspective view thereof.
FIG. 5 is a front elevation view thereof.
FIG. 6 is a rear elevation thereof.
FIG. 7 is a left side elevation view thereof.
FIG. 8 is a right side elevation view thereof.
FIG. 9 is a top plan view thereof.
FIG. 10 is a bottom plan view thereof; and,
FIG. 11 is a referential view showing use thereof.
The broken lines shown in the drawings are for illustrative
purpose only and form no part of the claimed design. The
dot-dash lines show an unclaimed boundary which forms no
part of the claimed design.

1 Claim, 11 Drawing Sheets



(58) **Field of Classification Search**

CPC 24/0075; A63B 69/0028; A63B 71/0622;
A63B 71/0686; A61N 5/0614; A63F
13/00; A63F 13/06; A61B 5/0059

See application file for complete search history.

(56) **References Cited**

U.S. PATENT DOCUMENTS

D472,480	S	*	4/2003	Hong	D10/57
D518,744	S	*	4/2006	Rosen	D10/50
D532,709	S	*	11/2006	McCormick	D10/53
D598,305	S	*	8/2009	Li	D10/103
D613,255	S	*	4/2010	Paul	D13/162
D770,313	S	*	11/2016	Turcotte	D10/49
D784,270	S	*	4/2017	Bhattacharya	D13/162
D794,478	S	*	8/2017	Read	D10/60
D795,093	S	*	8/2017	Stanton	D10/57
D813,693	S	*	3/2018	Walker	D10/53

* cited by examiner

FIG. 1

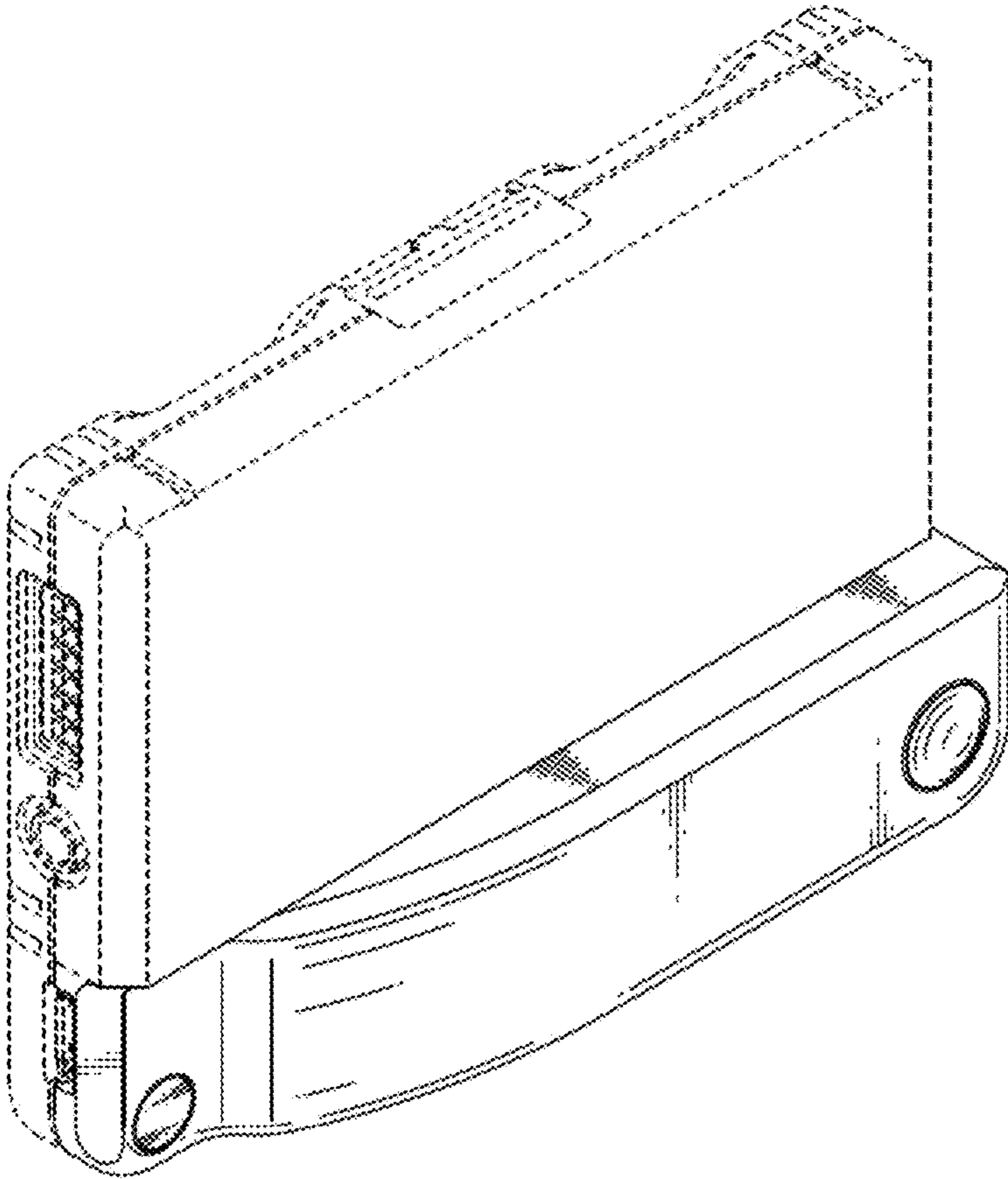


FIG. 2

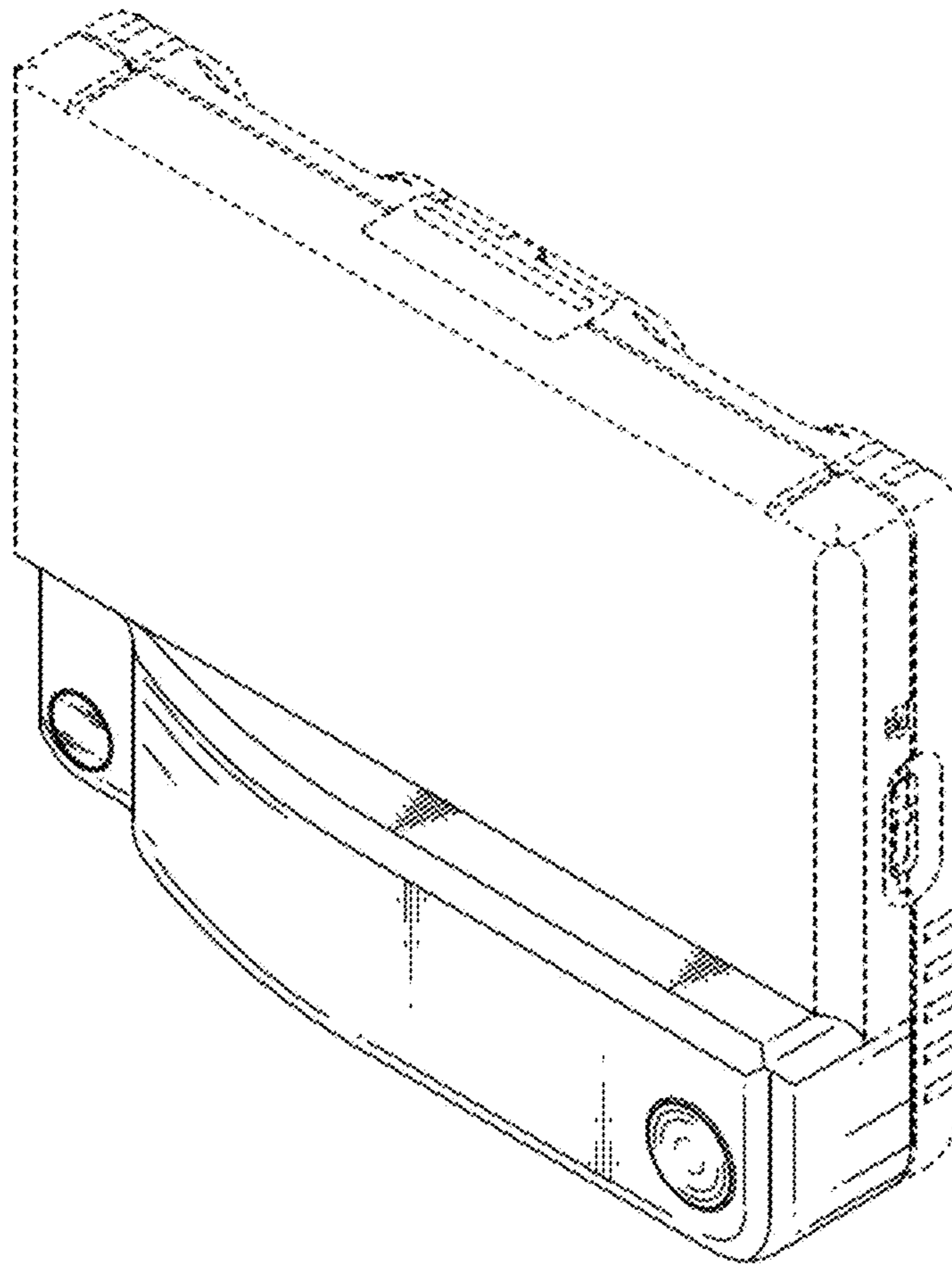


FIG. 3

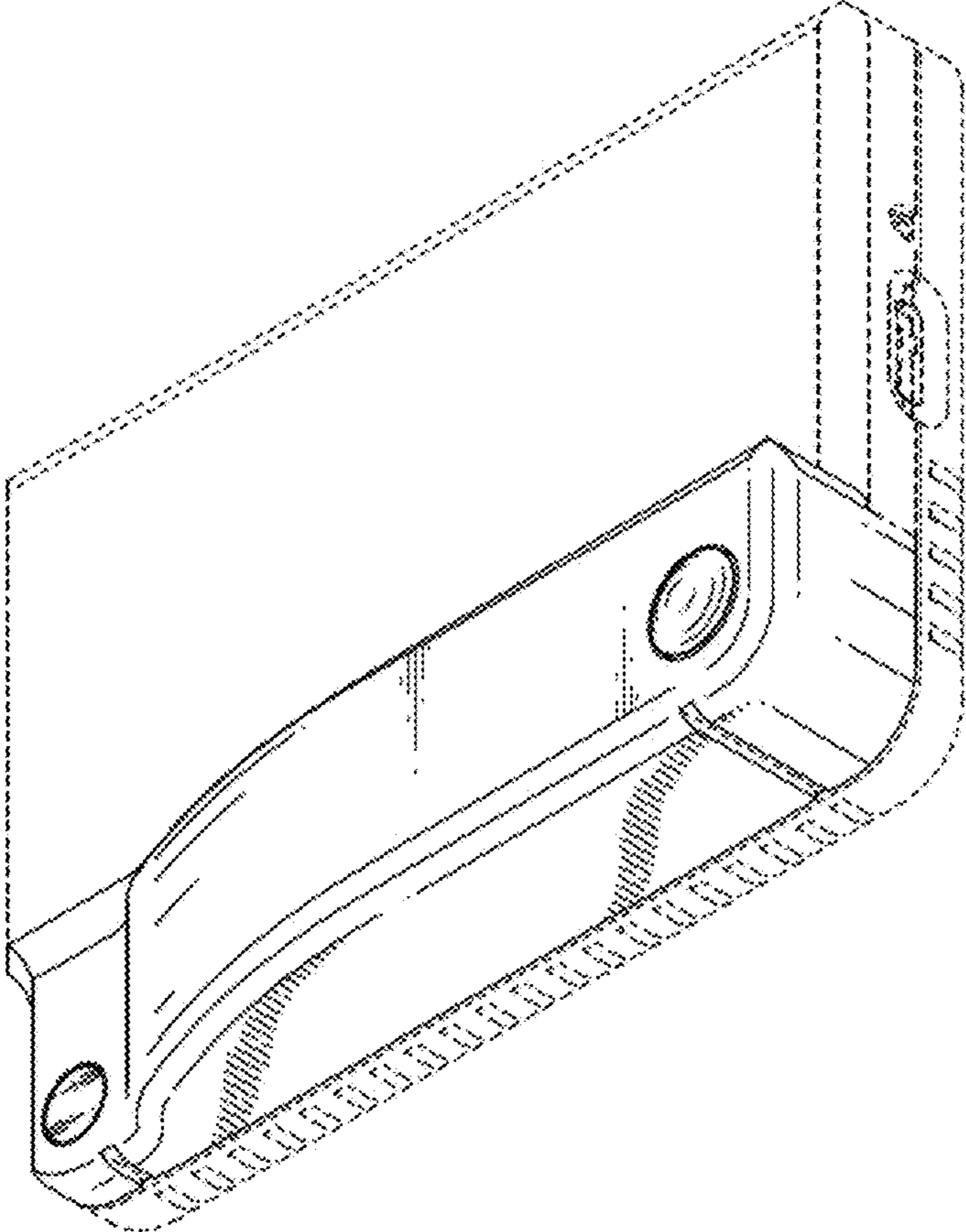


FIG. 4

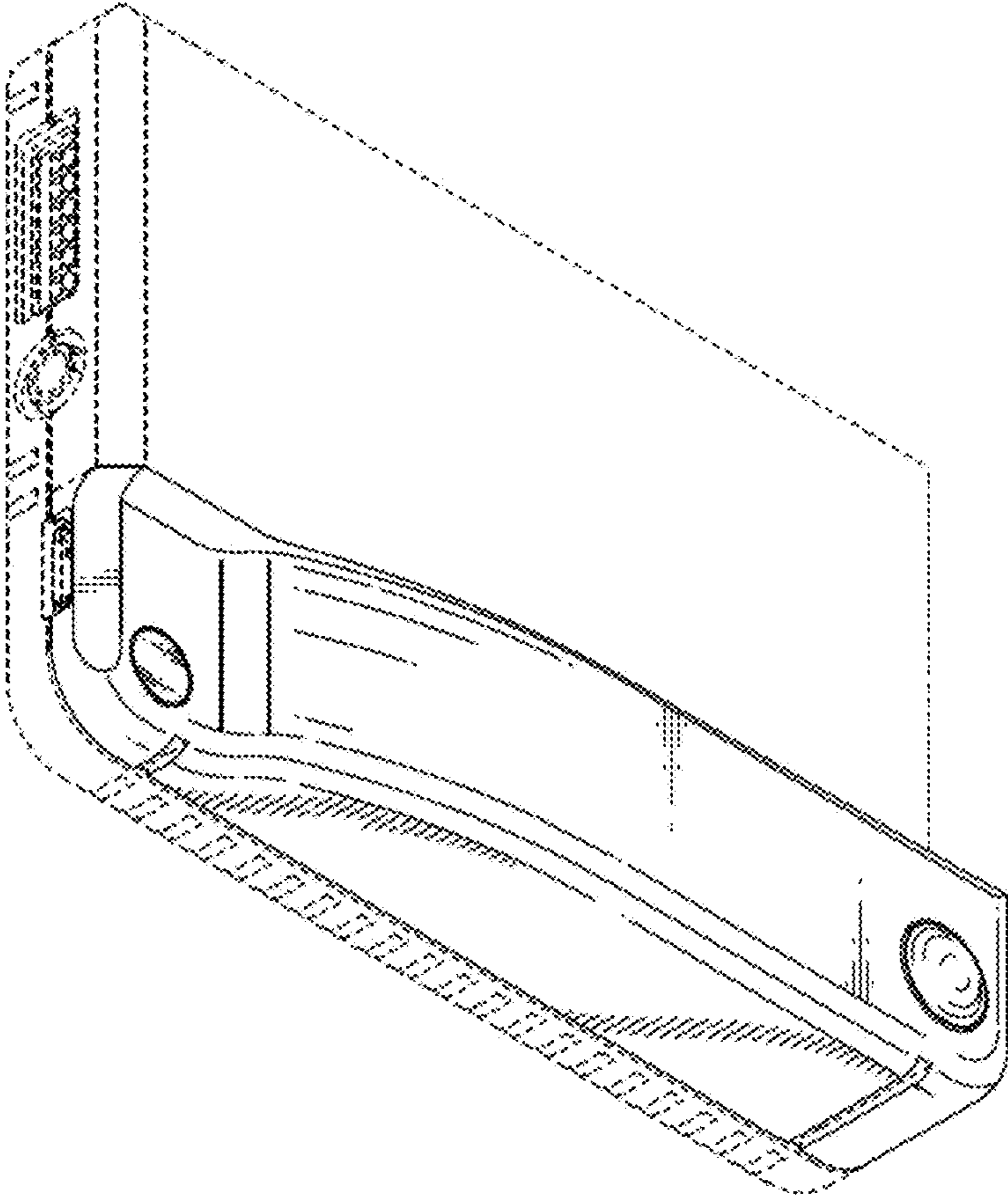


FIG. 5

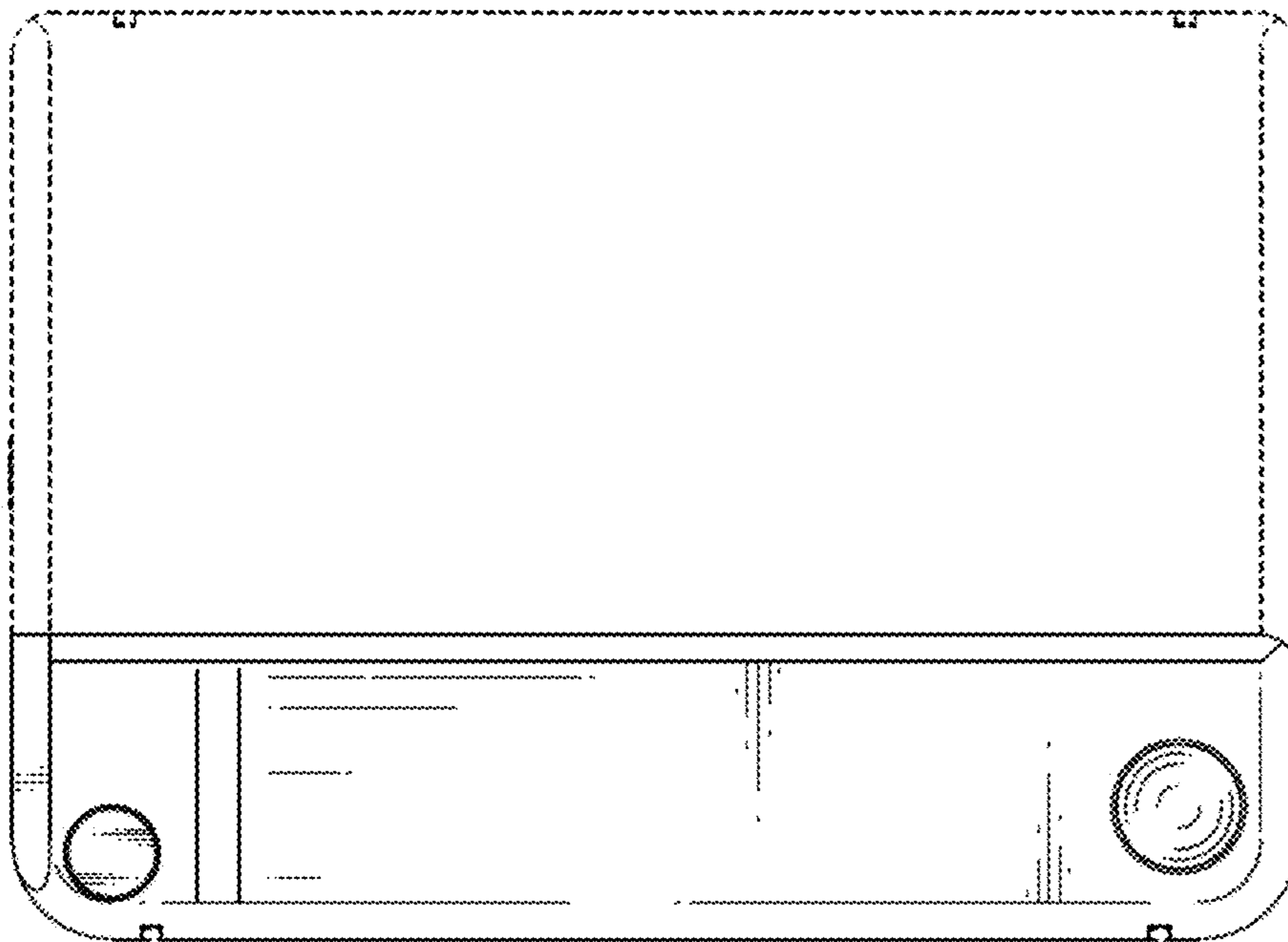


FIG. 6

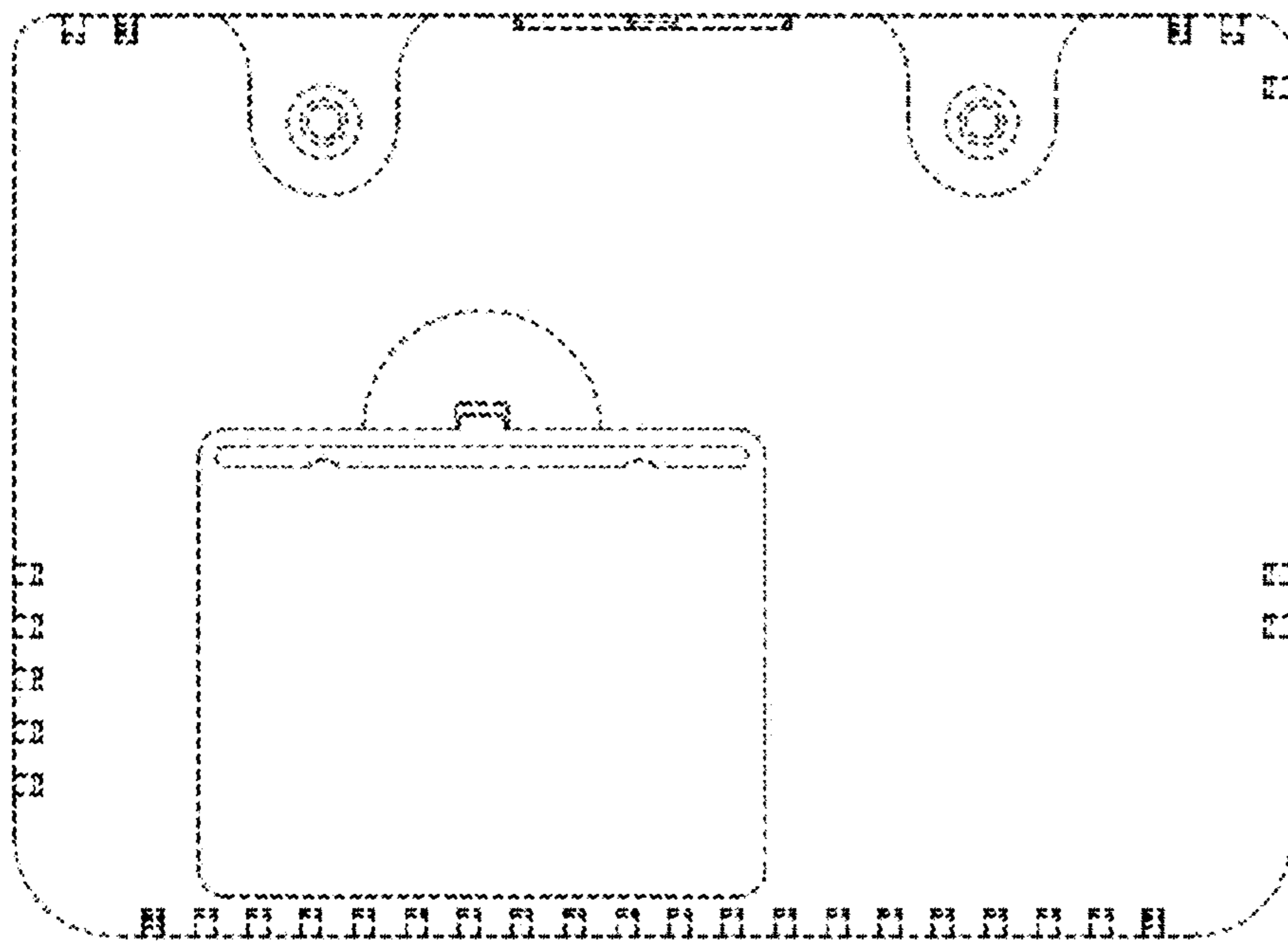


FIG. 7

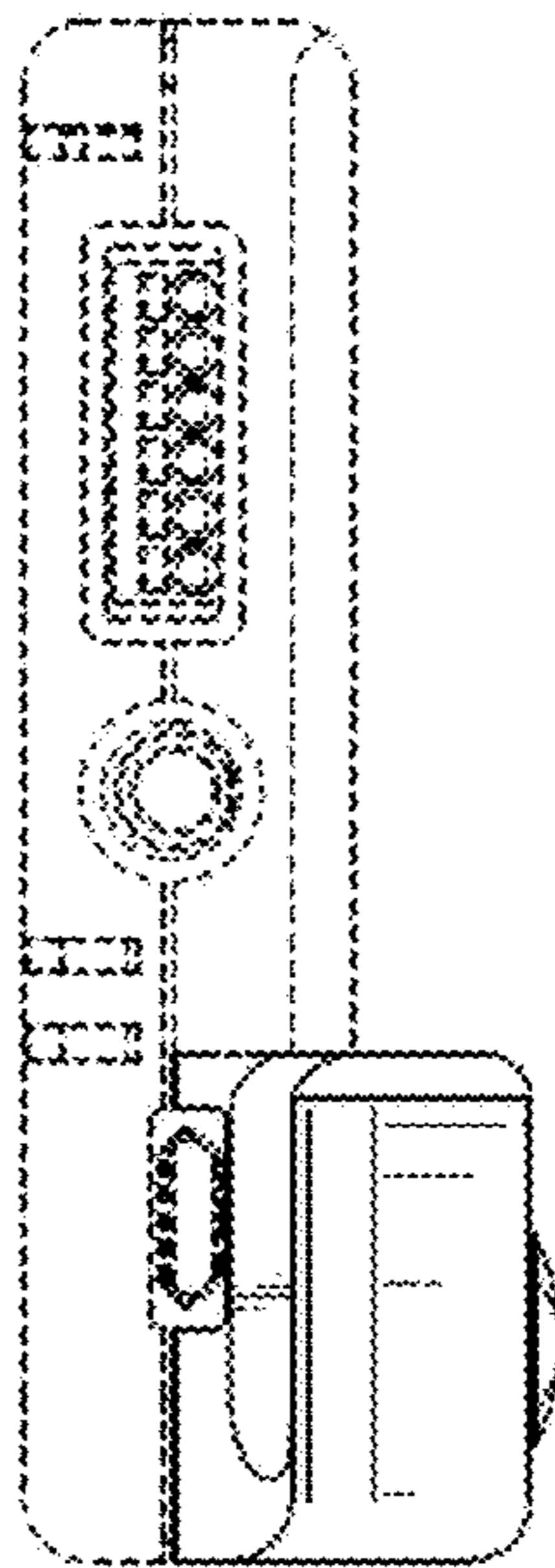


FIG. 8

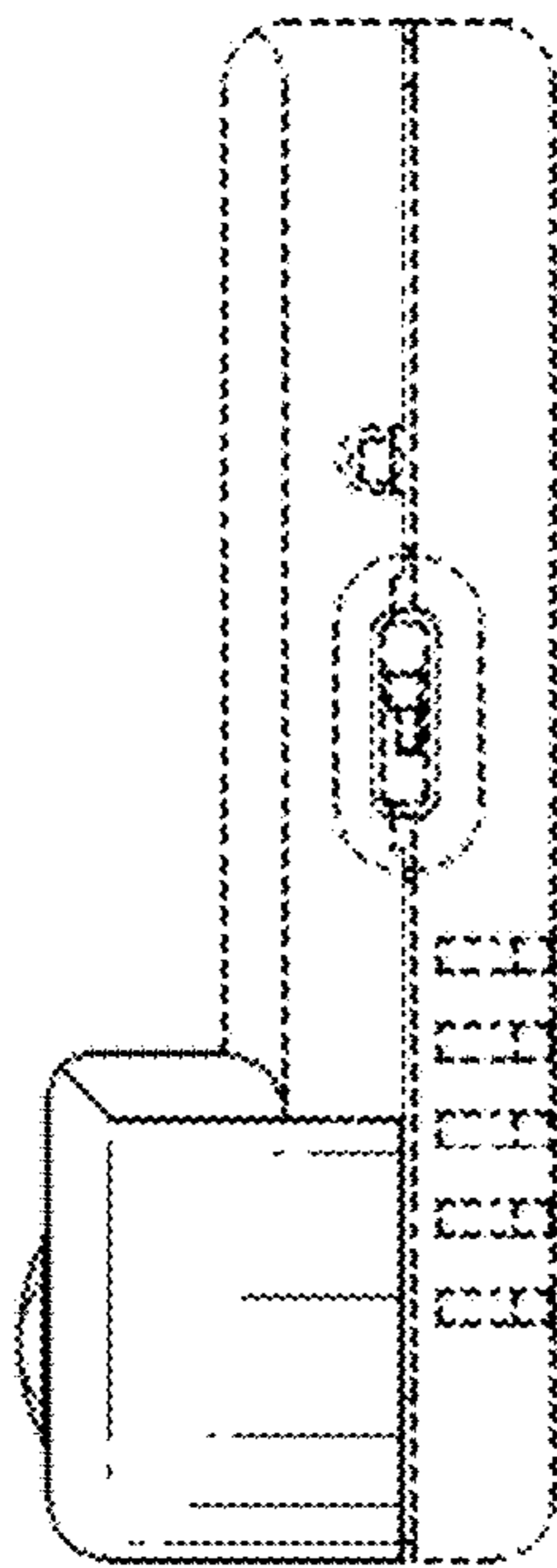


FIG. 9

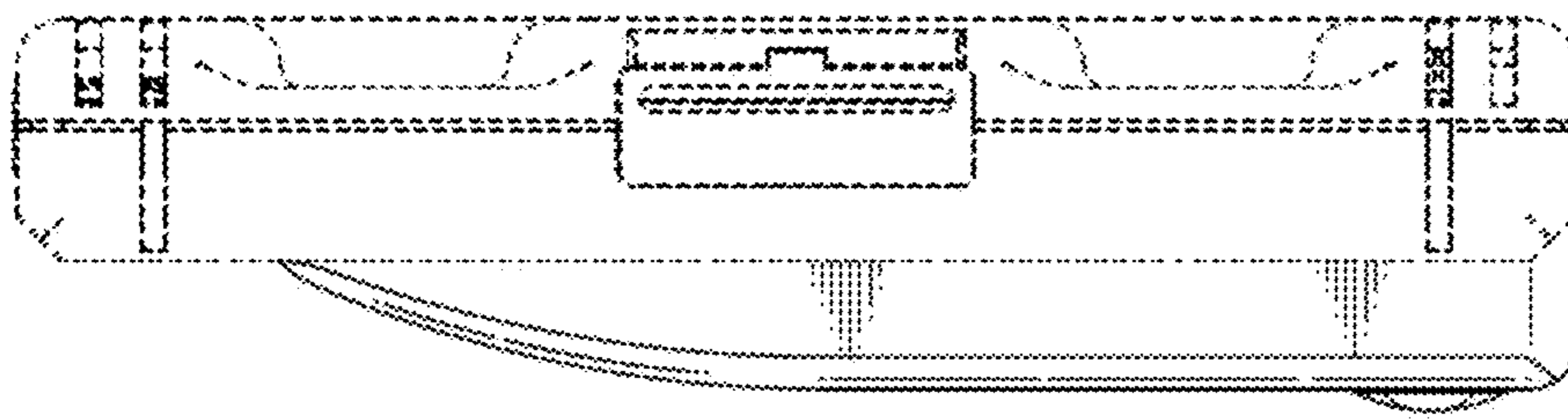


FIG. 10

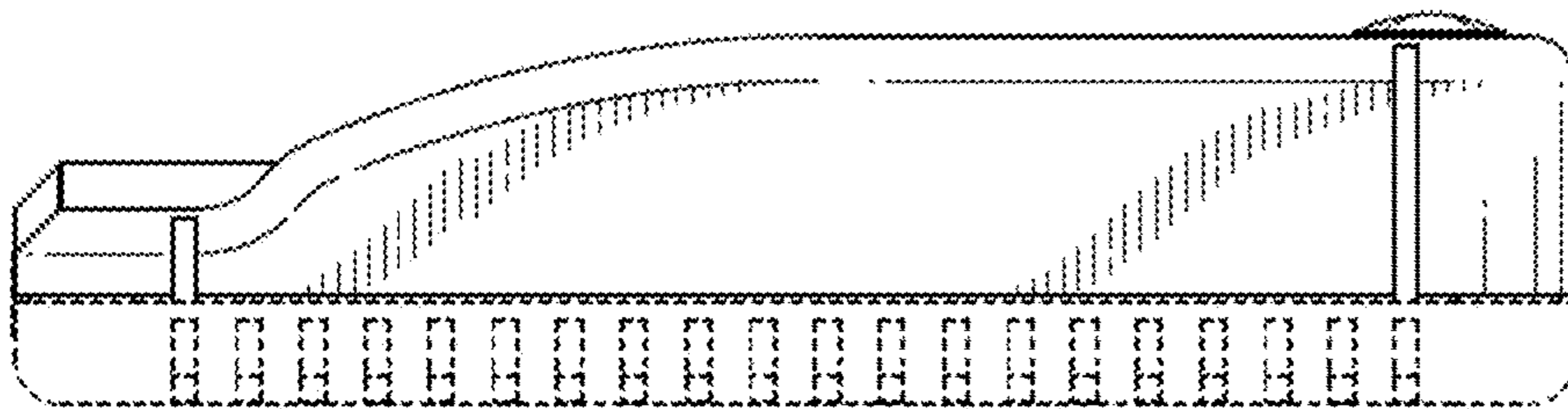


FIG. 11

