



US00D842131S

(12) **United States Design Patent** (10) **Patent No.:** **US D842,131 S**
Schmidt et al. (45) **Date of Patent:** **** Mar. 5, 2019**

(54) **GAME SCORING SYSTEM**

(71) Applicant: **Match Tuff LLC**, Henderson, NV (US)

(72) Inventors: **Judy K. Schmidt**, Henderson, NV (US); **Adam R. Schmidt**, Henderson, NV (US); **Matthew W. Schmidt**, Henderson, NV (US)

(73) Assignee: **Match Tuff LLC**, Henderson, NV (US)

(**) Term: **15 Years**

(21) Appl. No.: **29/605,737**

(22) Filed: **May 30, 2017**

(51) **LOC (11) Cl.** **21-01**

(52) **U.S. Cl.**
USPC **D10/46.1**

(58) **Field of Classification Search**
USPC D10/46, 46.1; 235/1 B; 116/222–225, 116/279, 280, DIG. 35; 273/281, 282.1, 273/287, 236, 148 A; 40/606.16, 617, 40/618, 124.02, 124.05; D21/302, 307; 281/27.2, 45, 49; 402/21, 22, 77
CPC . A63B 71/06; G09F 9/00; G09F 15/00; G09F 17/00

See application file for complete search history.

(56) **References Cited**

U.S. PATENT DOCUMENTS

1,492,250 A * 4/1924 Klette B42F 13/42
402/22
1,709,041 A * 4/1929 Schutt A63B 71/0672
2/279
3,022,093 A * 2/1962 Dayton B42F 3/04
281/27.2
3,220,127 A * 11/1965 Wilson A63B 71/0672
116/173
3,246,413 A * 4/1966 Cockrell G09F 7/08
40/124.2

(Continued)

Primary Examiner — Elizabeth J Oswecki

(74) *Attorney, Agent, or Firm* — Howard & Howard Attorneys PLLC

(57) **CLAIM**

The ornamental design for a game scoring system, as shown and described.

DESCRIPTION

The file of this patent contains at least one drawing/photograph executed in color. Copies of this patent with color drawing(s)/photograph(s) will be provided by the Office upon request and payment of the necessary fee.

FIG. 1 is a perspective view of a first embodiment of a game scoring system, showing our new design;

FIG. 2 is a front view thereof;

FIG. 3 is a rear view thereof;

FIG. 4 is a right side view thereof;

FIG. 5 is a left side view thereof;

FIG. 6 is a top plan view thereof;

FIG. 7 is a bottom plan view thereof;

FIG. 8 is a front view thereof, shown in its environmental use on a game net shown in broken lines;

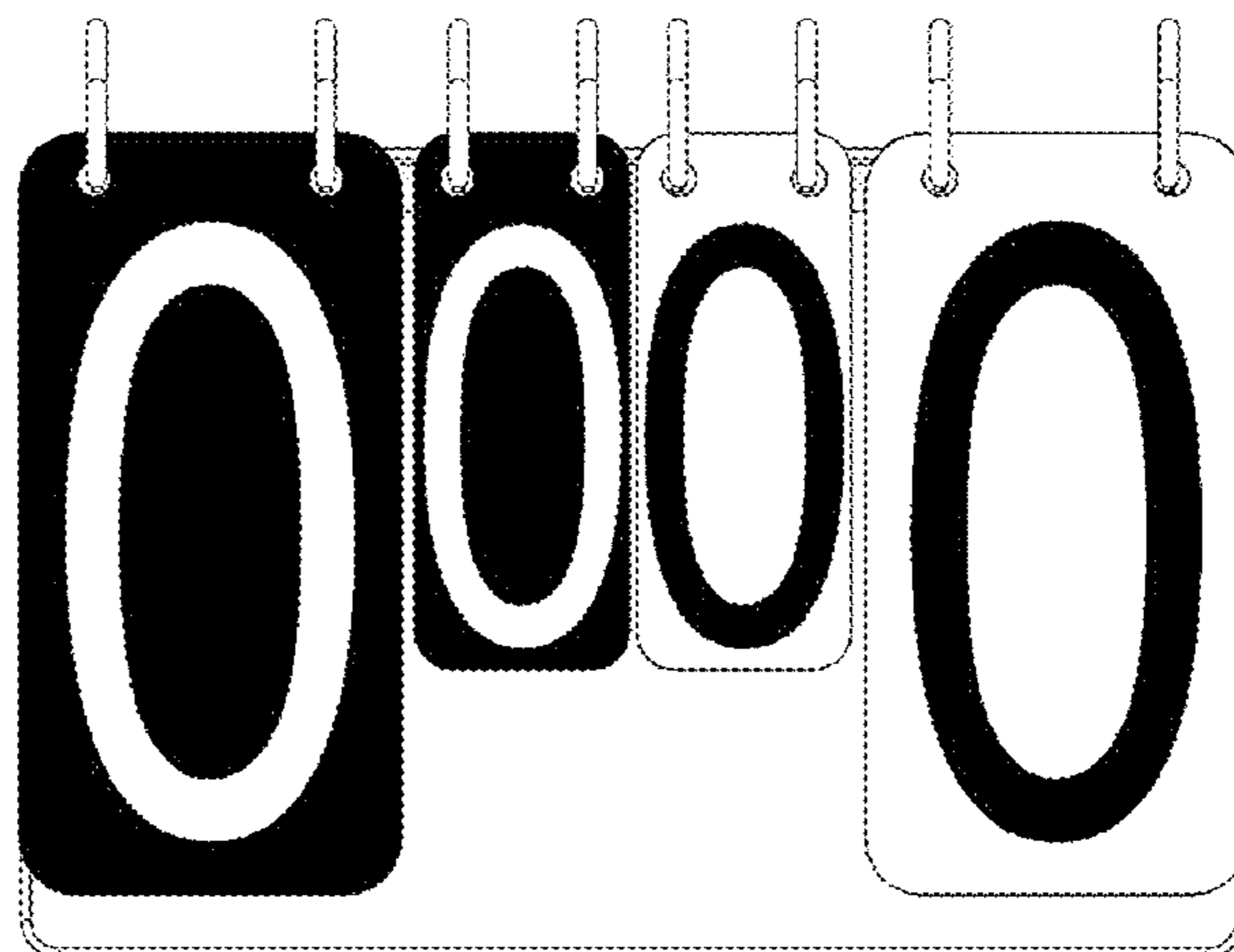
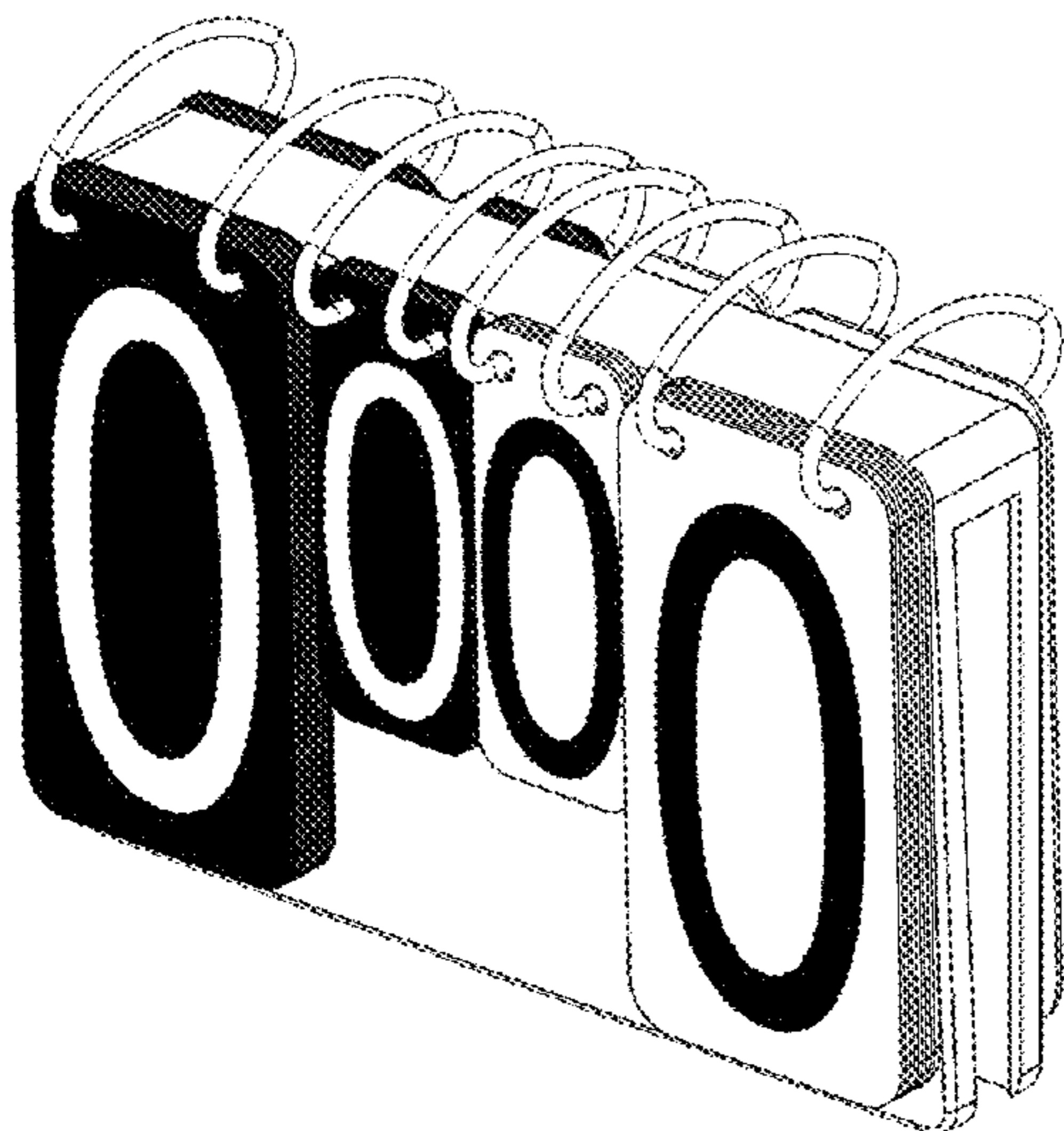
FIG. 9 is a front view of a second embodiment of a game scoring system, showing our new design;

FIG. 10 is a front view of a third embodiment of a game scoring system, showing our new design; and,

FIG. 11 is a front view of a fourth embodiment of a game scoring system, showing our new design.

The scores “0-0” and “0-0” and the card is shaded schematically to indicate black in FIGS. 1-8, blue in FIG. 9, red in FIG. 10 and green in FIG. 11. The undisclosed views of the second embodiment (FIG. 9), third embodiment (FIG. 10) and fourth embodiment (FIG. 11) are the same as disclosed in FIGS. 3-7 with the exception of the featured colors. The broken lines shown in FIG. 8 of a game net form no part of the claimed design.

1 Claim, 7 Drawing Sheets
(1 of 7 Drawing Sheet(s) Filed in Color)



(56)

References Cited

U.S. PATENT DOCUMENTS

3,576,174 A * 4/1971 Topel A63B 71/0672
116/222
5,694,881 A * 12/1997 Creech G09F 15/0056
116/222
D418,431 S * 1/2000 Nicksich D10/46.1
D432,031 S * 10/2000 Miller D10/46.1
6,515,636 B2 * 2/2003 Munder H01Q 1/08
343/705
D751,425 S * 3/2016 Iler D10/46.1
D774,403 S * 12/2016 Iler D10/46.1

* cited by examiner

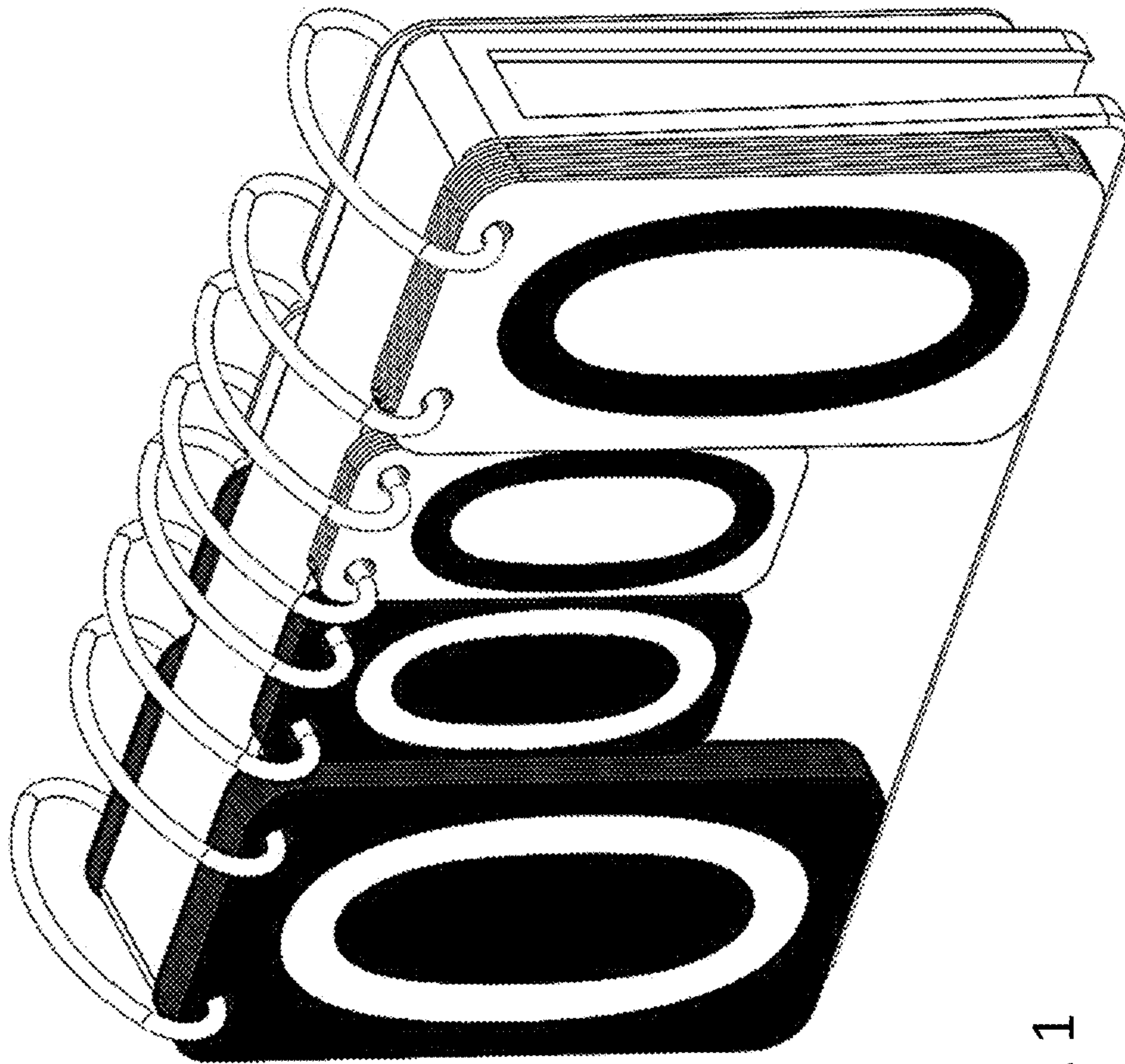


FIG. 1

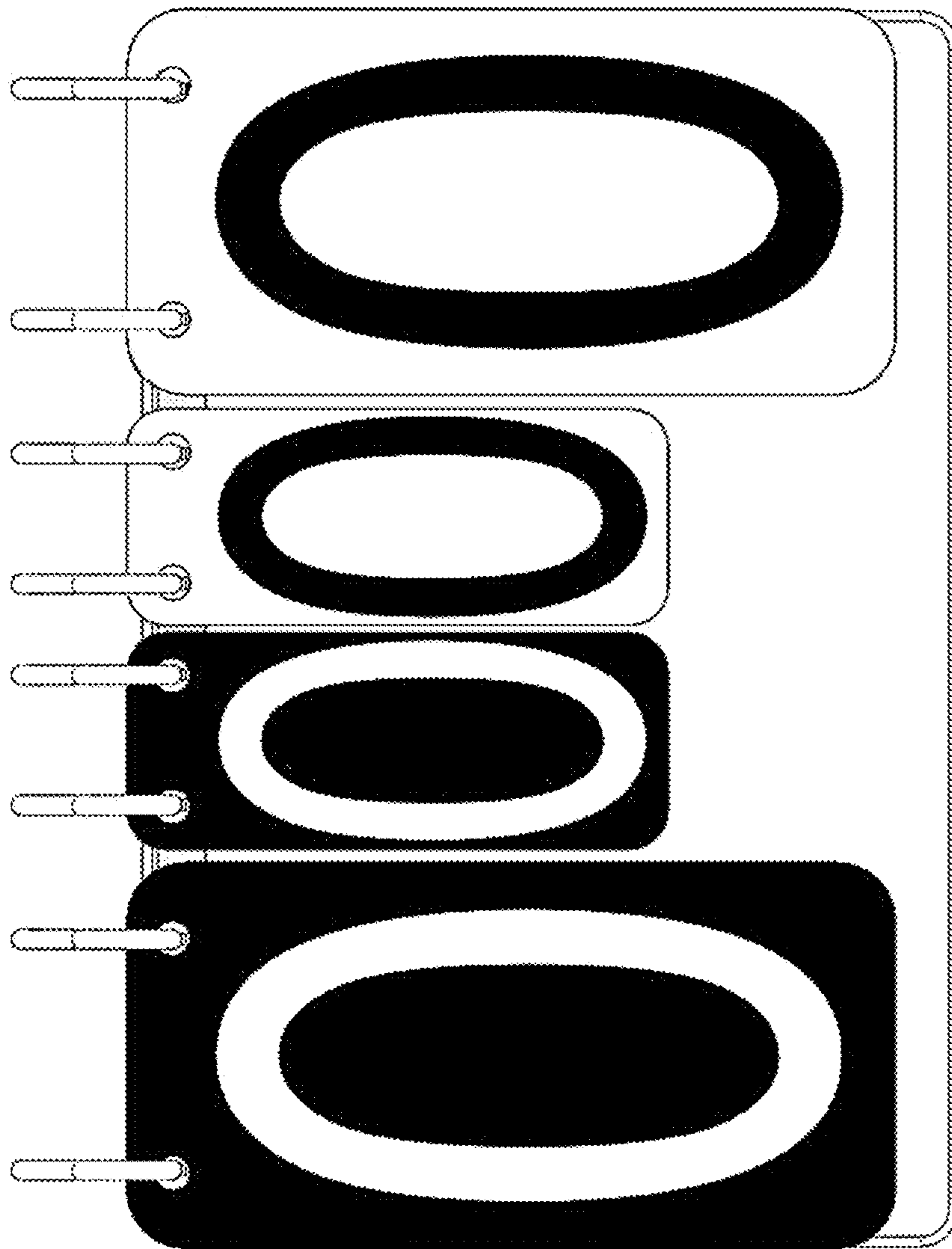


FIG. 2

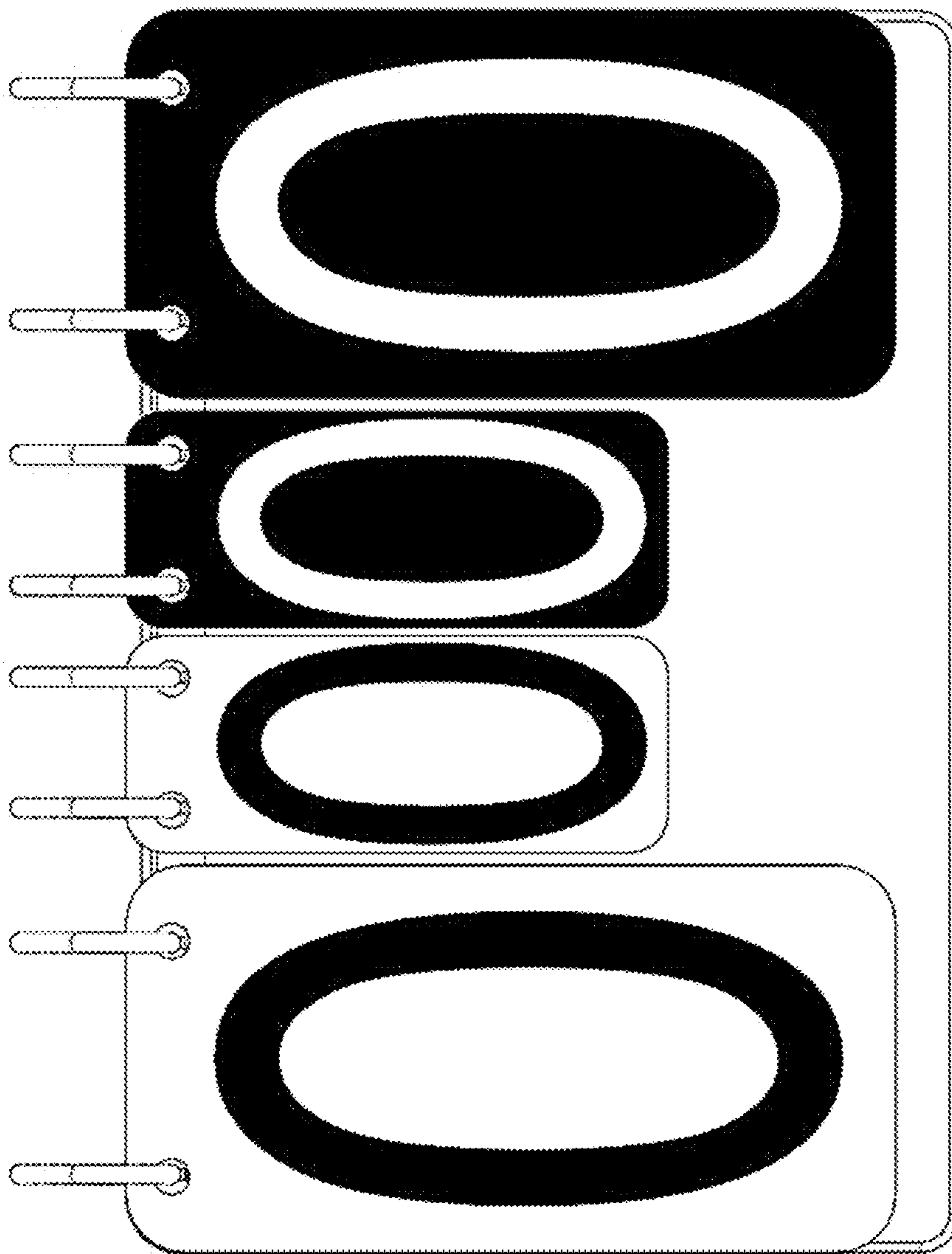


FIG. 3

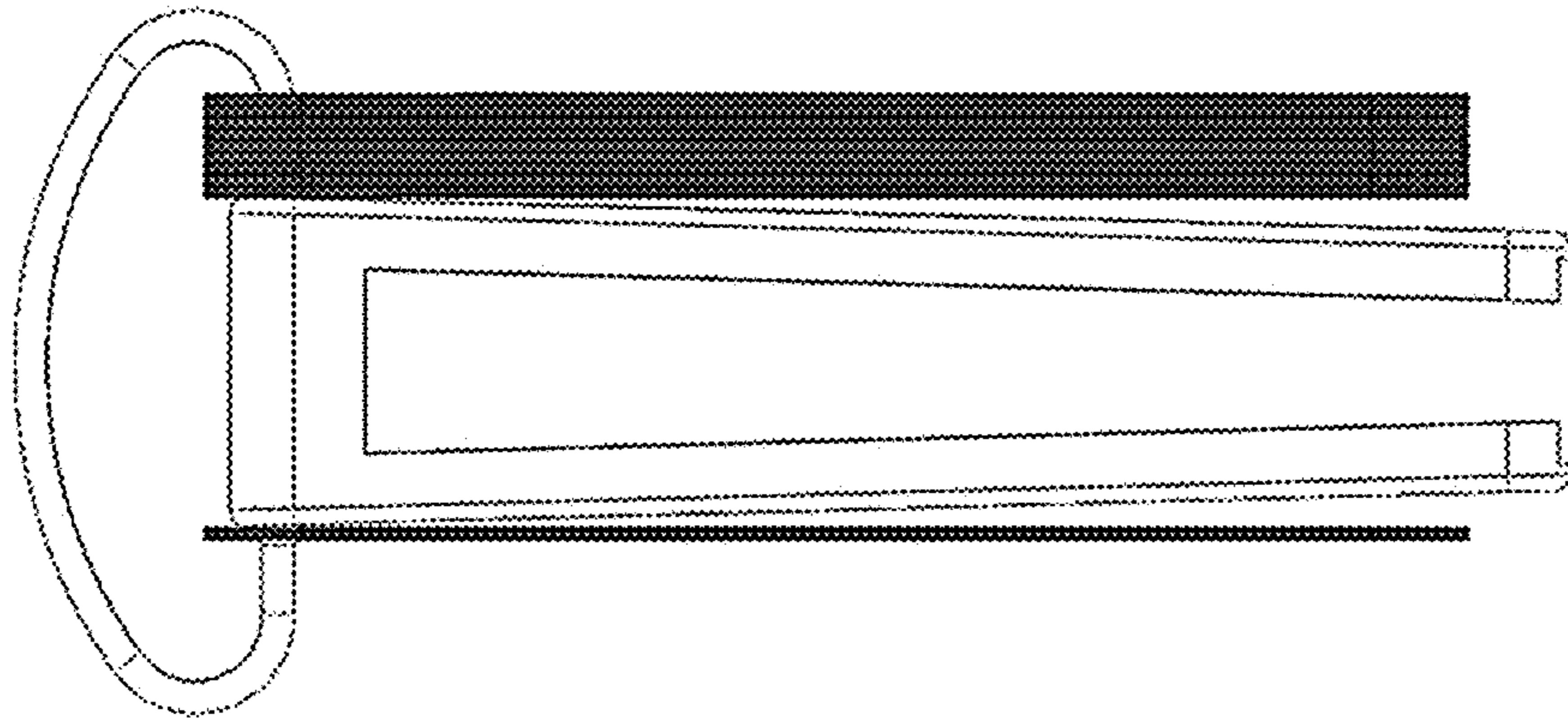


FIG. 5

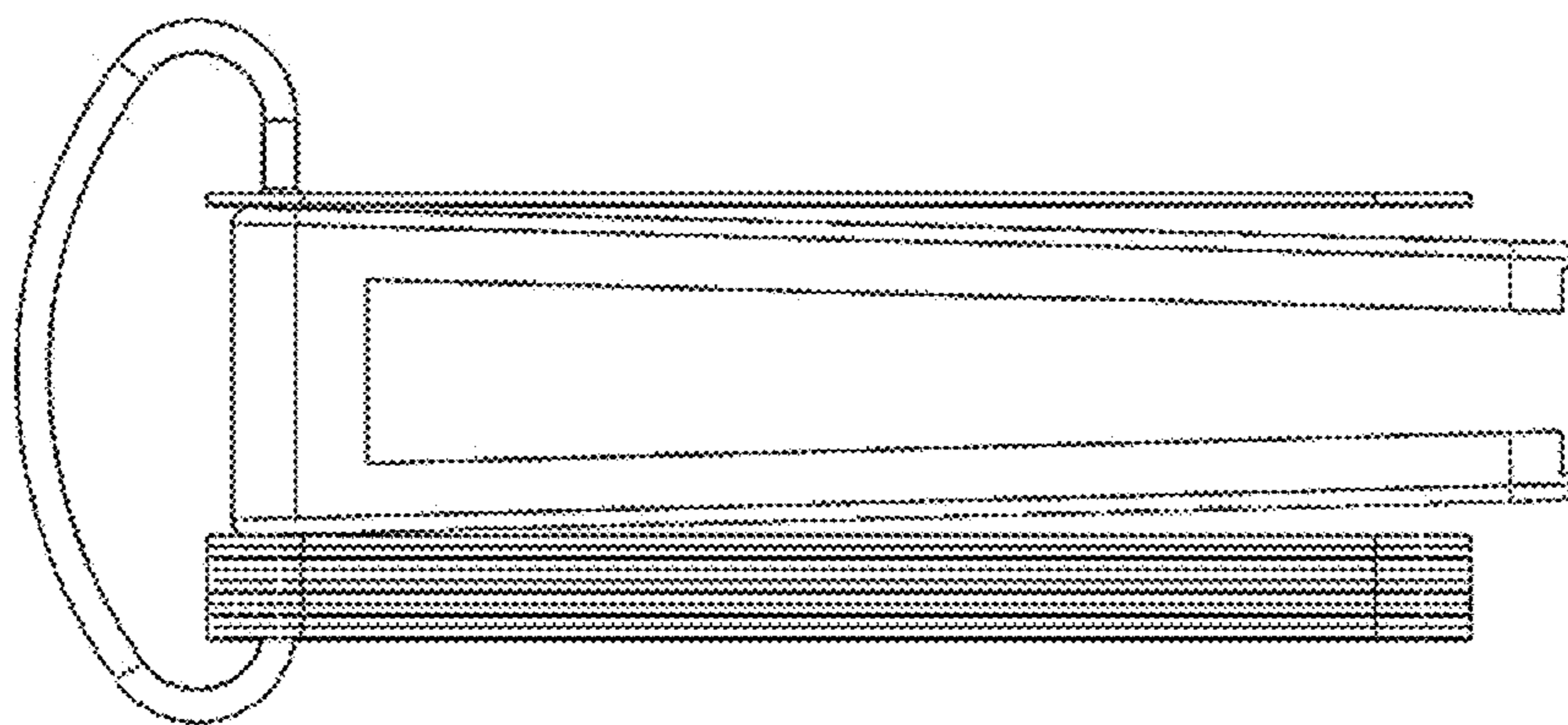


FIG. 4

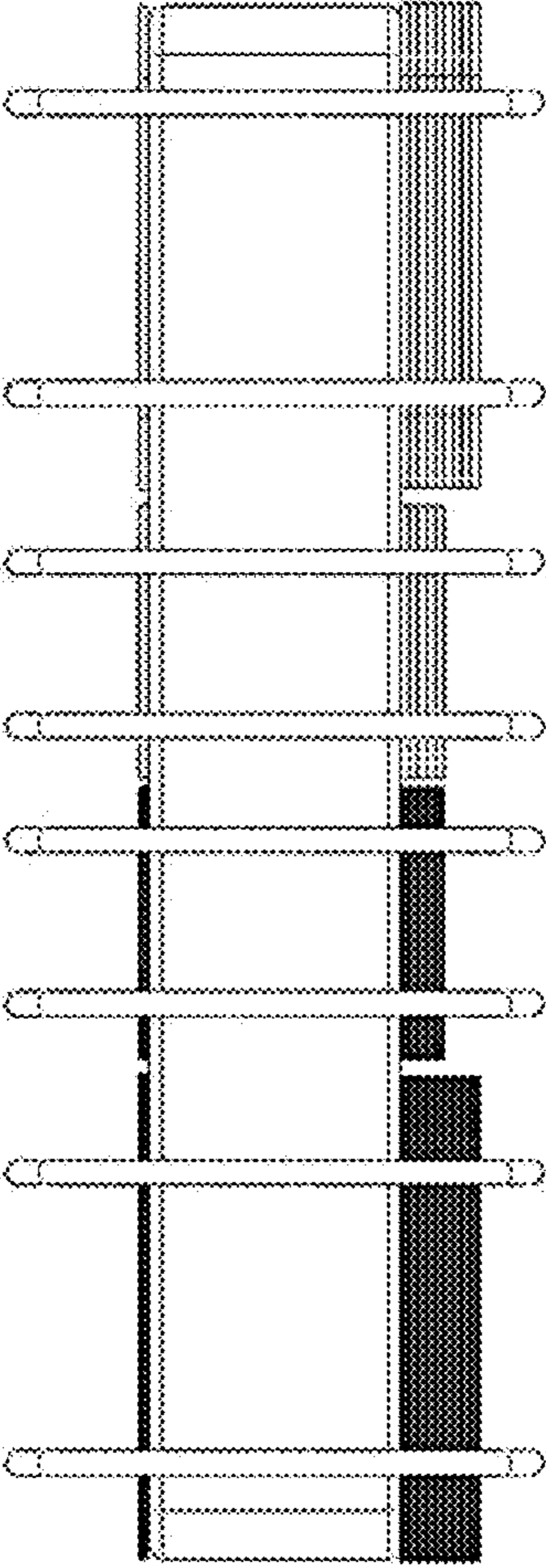


FIG. 6

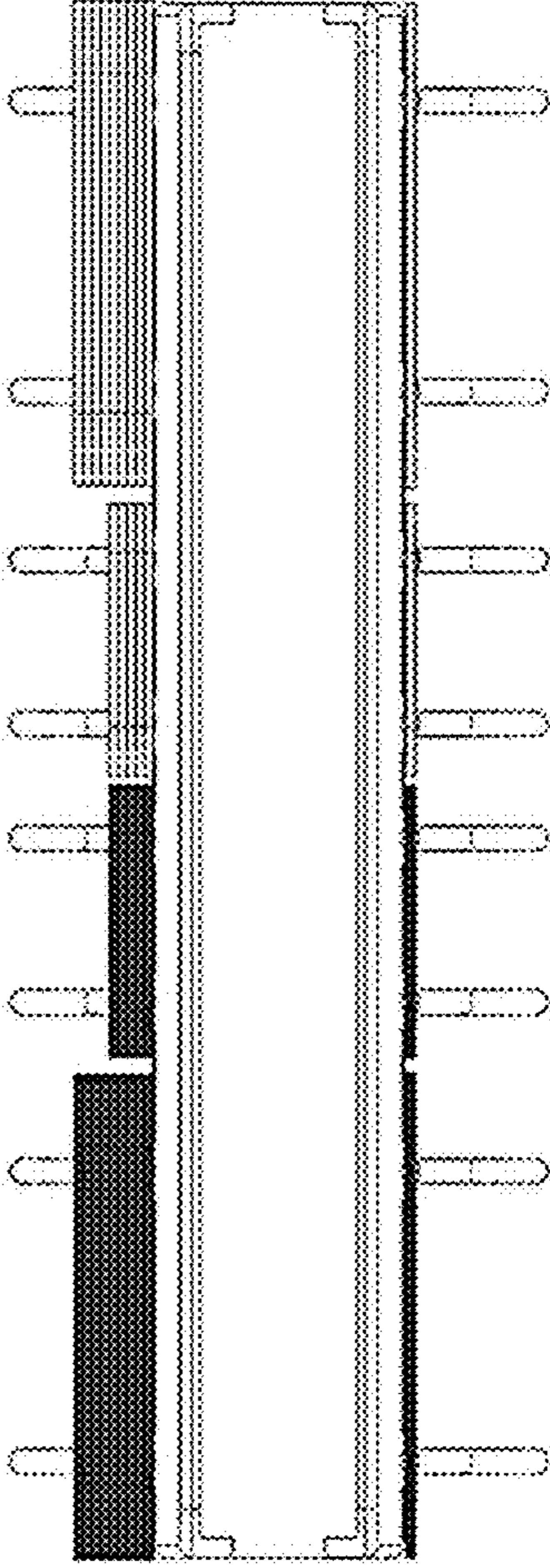


FIG. 7

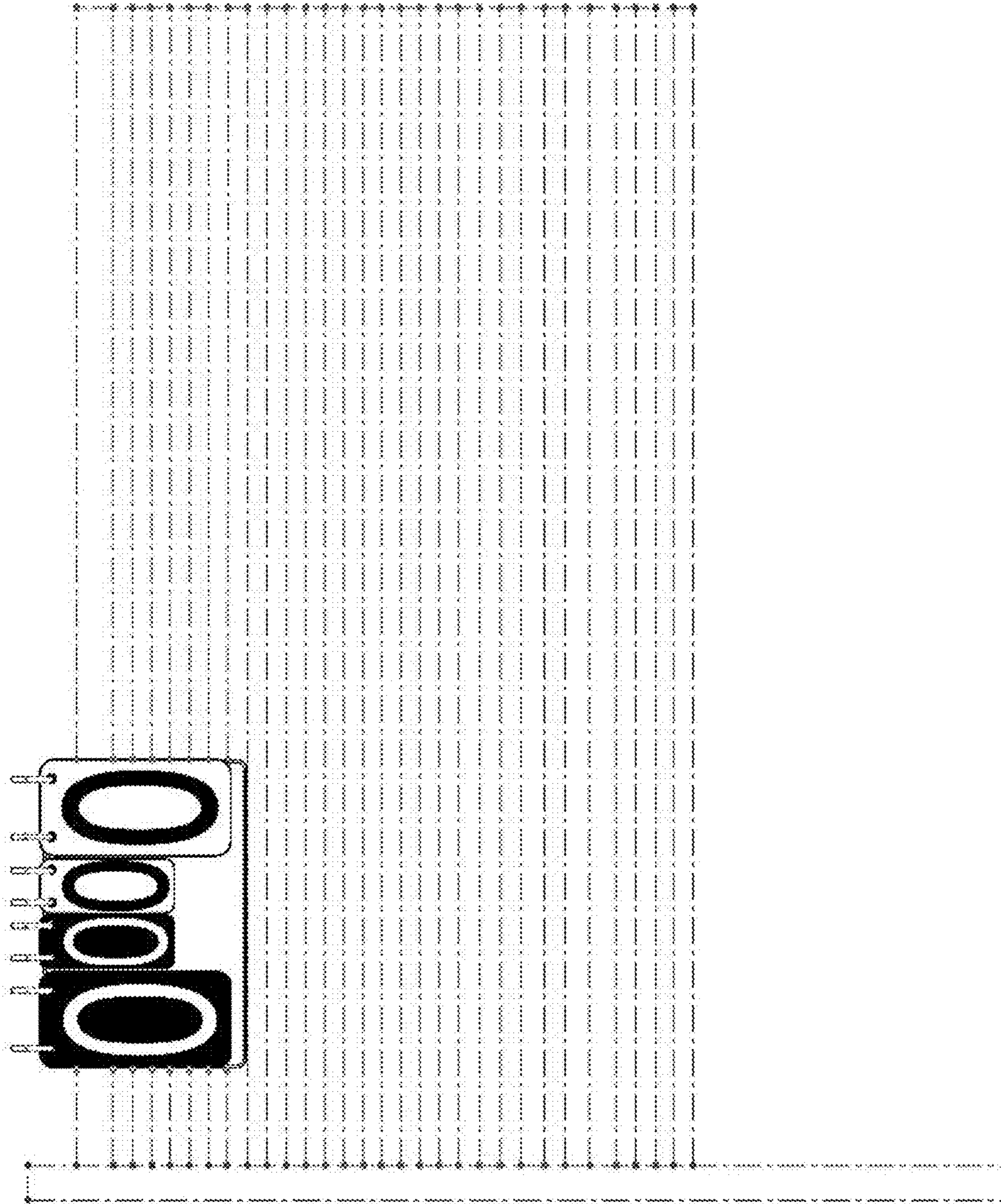


FIG. 8

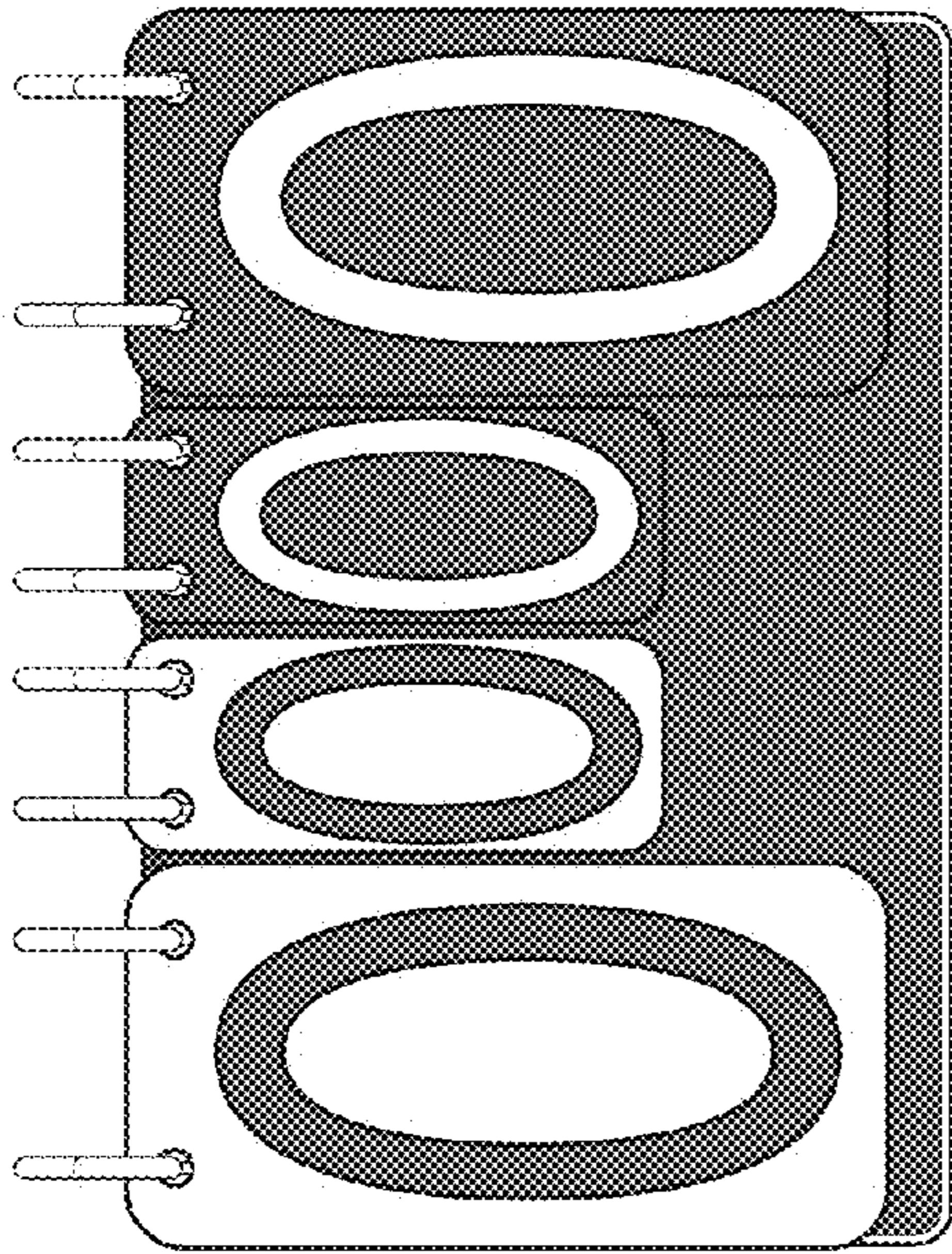


FIG. 9

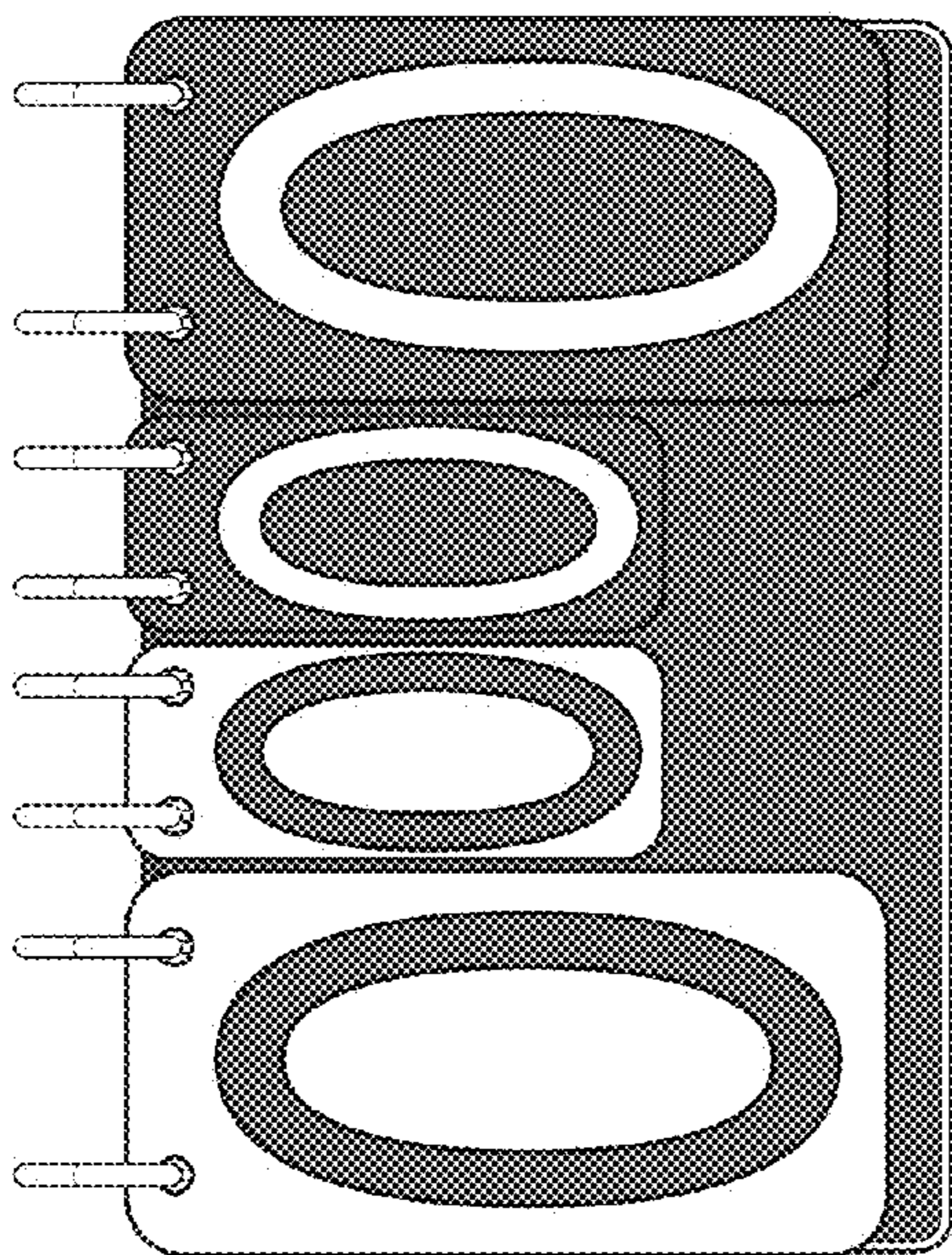


FIG. 10

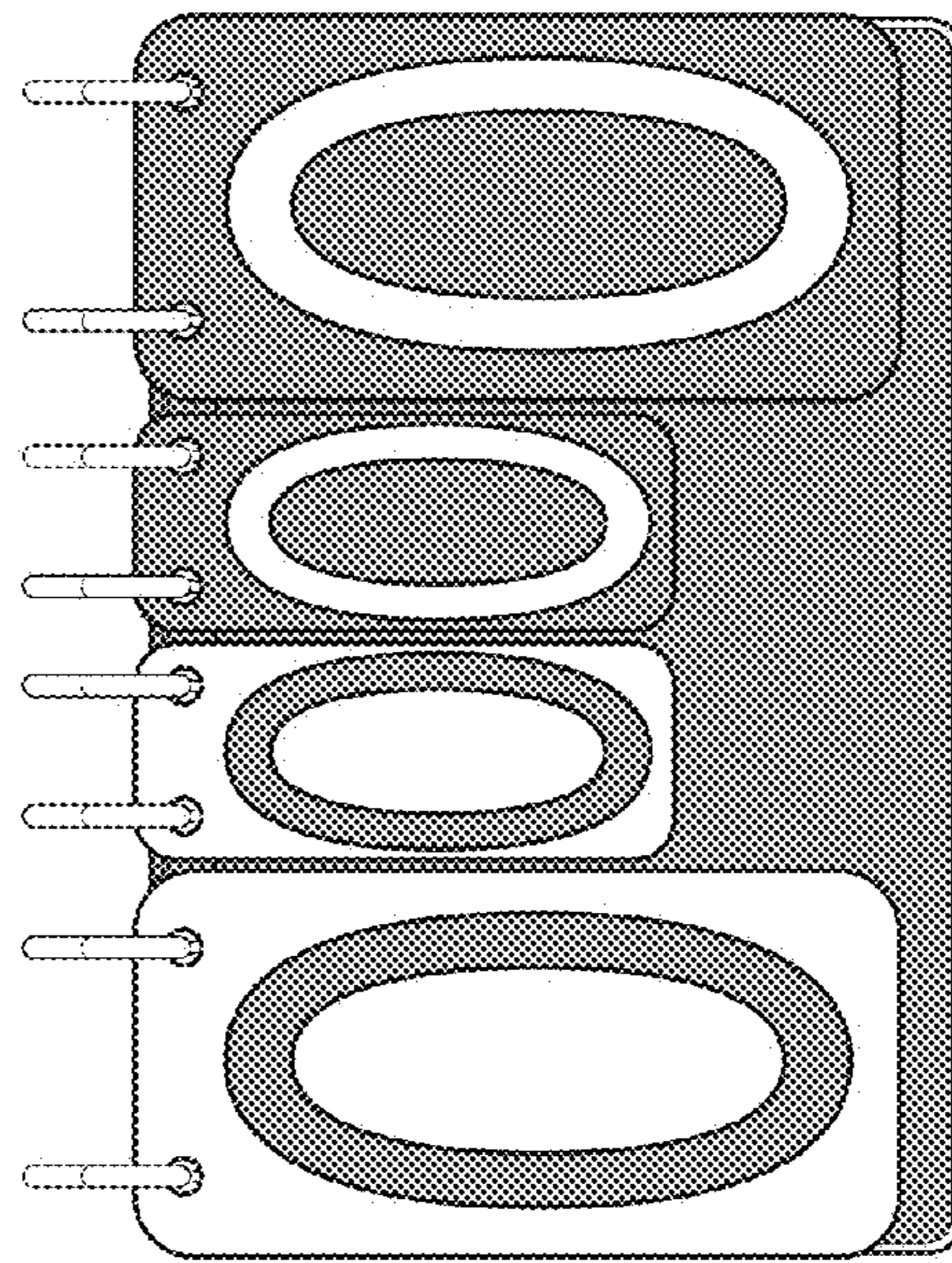


FIG. 11