



US00D842130S

(12) **United States Design Patent** (10) **Patent No.:** **US D842,130 S**
Xiao (45) **Date of Patent:** **** Mar. 5, 2019**

(54) **CLOCK**
(71) Applicant: **Wuhan Zhenboshi Intelligent Technology Co., Ltd, Wuhan (CN)**
(72) Inventor: **Gang Xiao, Wuhan (CN)**
(73) Assignee: **WUHAN ZHENBOSHI INTELLIGENT TECHNOLOGY CO., LTD, Wuhan (CN)**

D261,765 S * 11/1981 Mishiro D10/15
D261,766 S * 11/1981 Miyanaga D10/15
D583,358 S * 12/2008 Joseph D10/2
D605,625 S * 12/2009 Skurdal D14/171
D645,841 S * 9/2011 Joseph D14/171
D694,127 S * 11/2013 Hsu D10/15
D729,761 S * 5/2015 Hu D14/194
D729,762 S * 5/2015 Hu D14/194

* cited by examiner

Primary Examiner — Sandra S Snapp

(74) *Attorney, Agent, or Firm* — Gokalp Bayramoglu

(**) Term: **15 Years**

(21) Appl. No.: **29/653,442**

(22) Filed: **Jun. 15, 2018**

(30) **Foreign Application Priority Data**

Jan. 9, 2018 (CN) 2018 3 0008277

(51) **LOC (11) Cl.** **10-01**

(52) **U.S. Cl.**
USPC **D10/26**

(58) **Field of Classification Search**
USPC D10/1–29, 40, 41, 128–130; D14/170,
D14/171, 188, 194, 195, 197, 198
CPC G04B 19/00; G04B 19/04; G04B 19/34;
G04B 45/0069; G04C 3/00; G04C 3/0001
See application file for complete search history.

(56) **References Cited**

U.S. PATENT DOCUMENTS

D251,428 S * 3/1979 Makino D10/2
D252,498 S * 7/1979 Terada D10/15

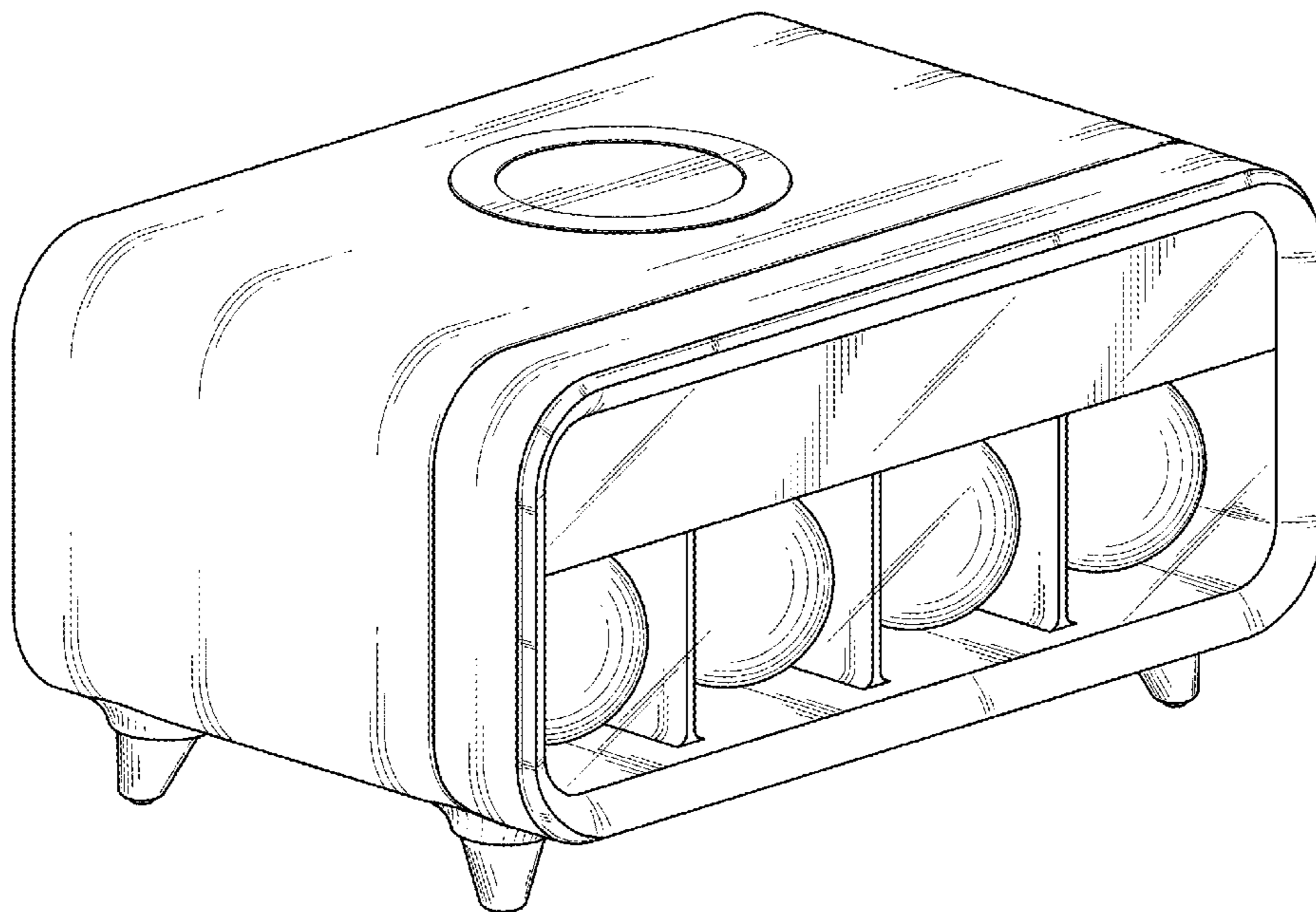
(57) **CLAIM**

The ornamental design for a clock, as shown and described.

DESCRIPTION

FIG. 1 is a perspective view of a clock showing the new design;
FIG. 2 is a front view thereof;
FIG. 3 is a rear view thereof;
FIG. 4 is a left side view thereof;
FIG. 5 is a right side view thereof;
FIG. 6 is a top view thereof; and,
FIG. 7 is a bottom view thereof.
The broken line disclosure is for illustrative purpose only and forms no part of the claimed design.

1 Claim, 7 Drawing Sheets



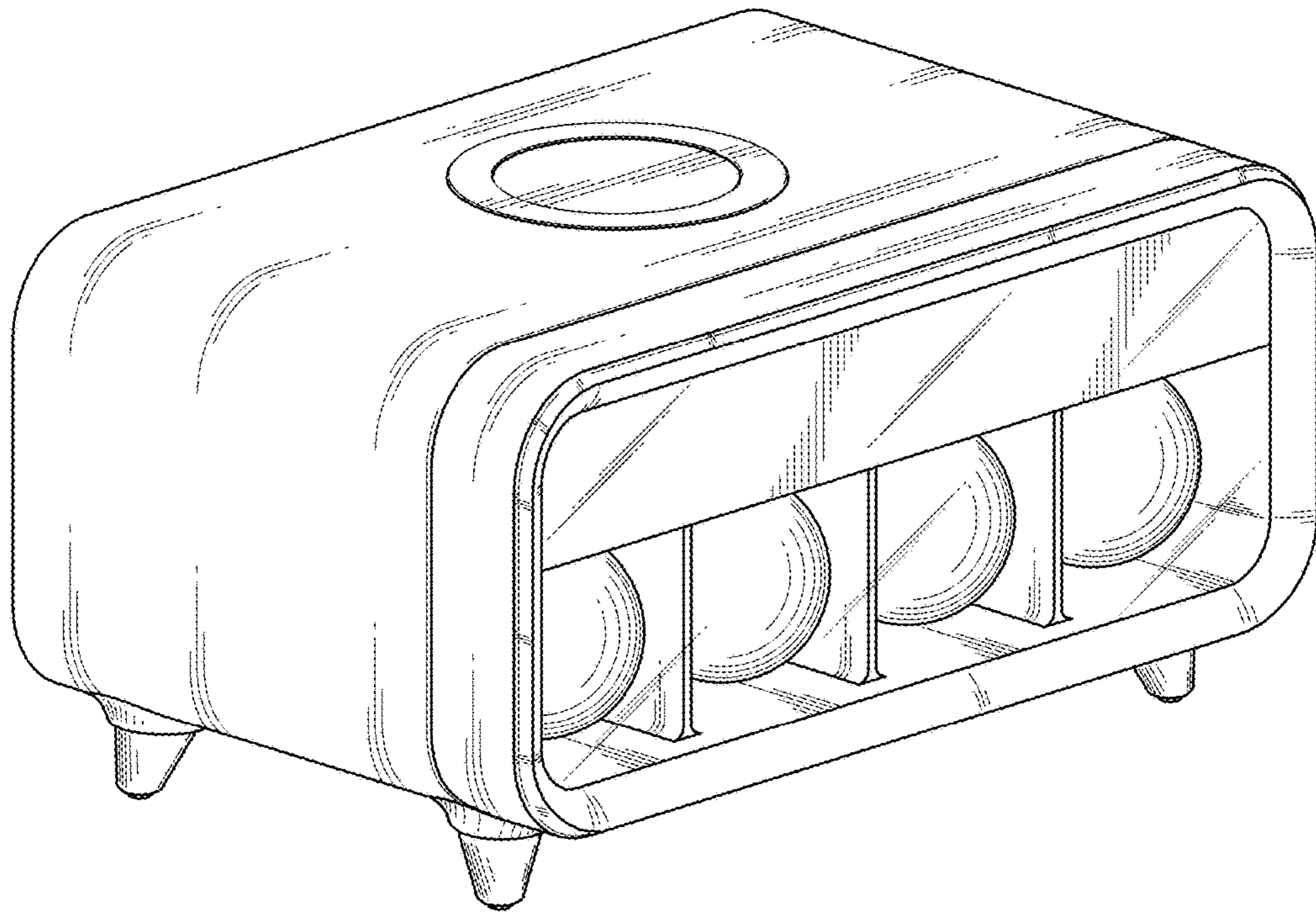


Figure 1

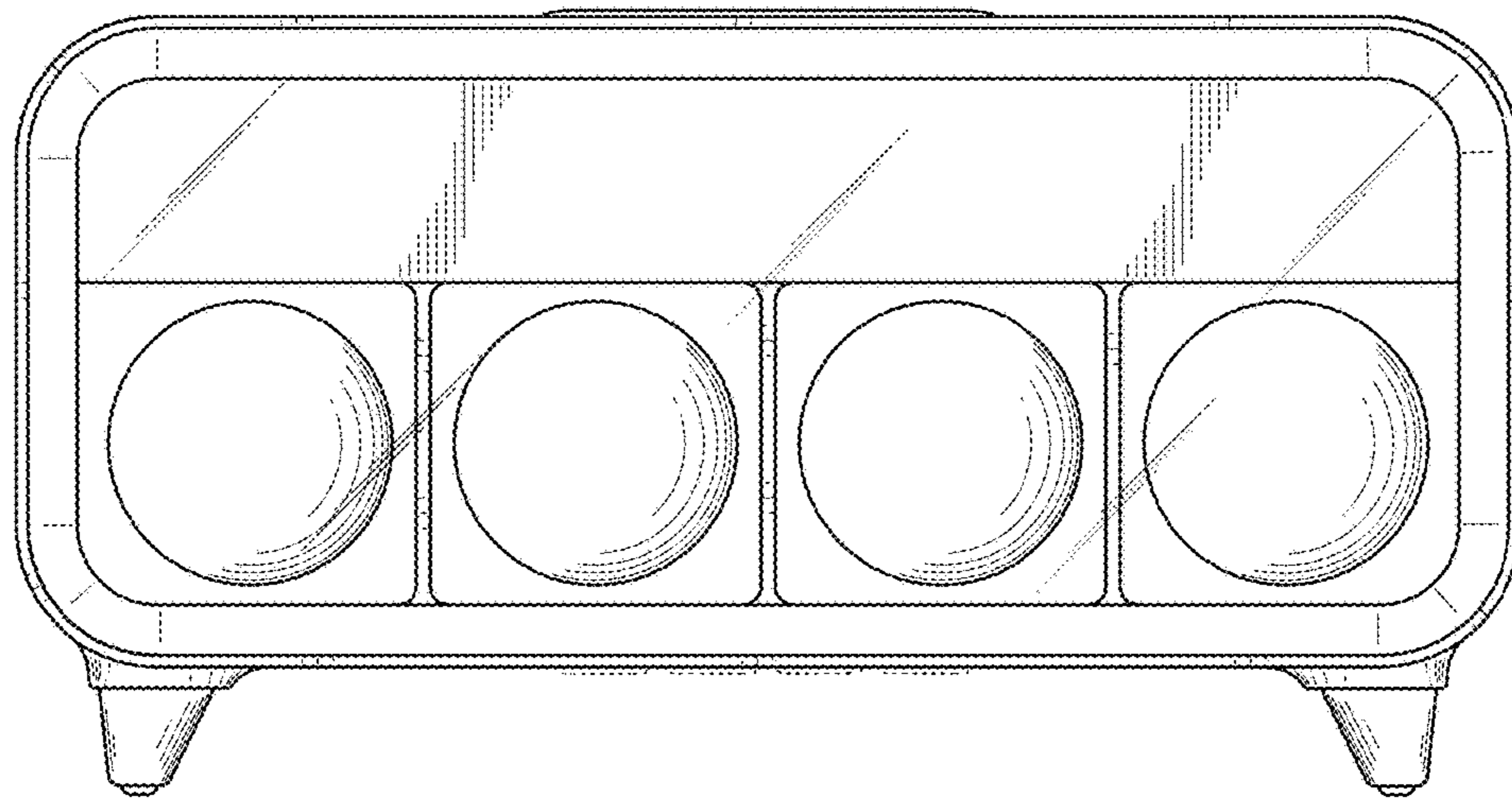


Figure 2

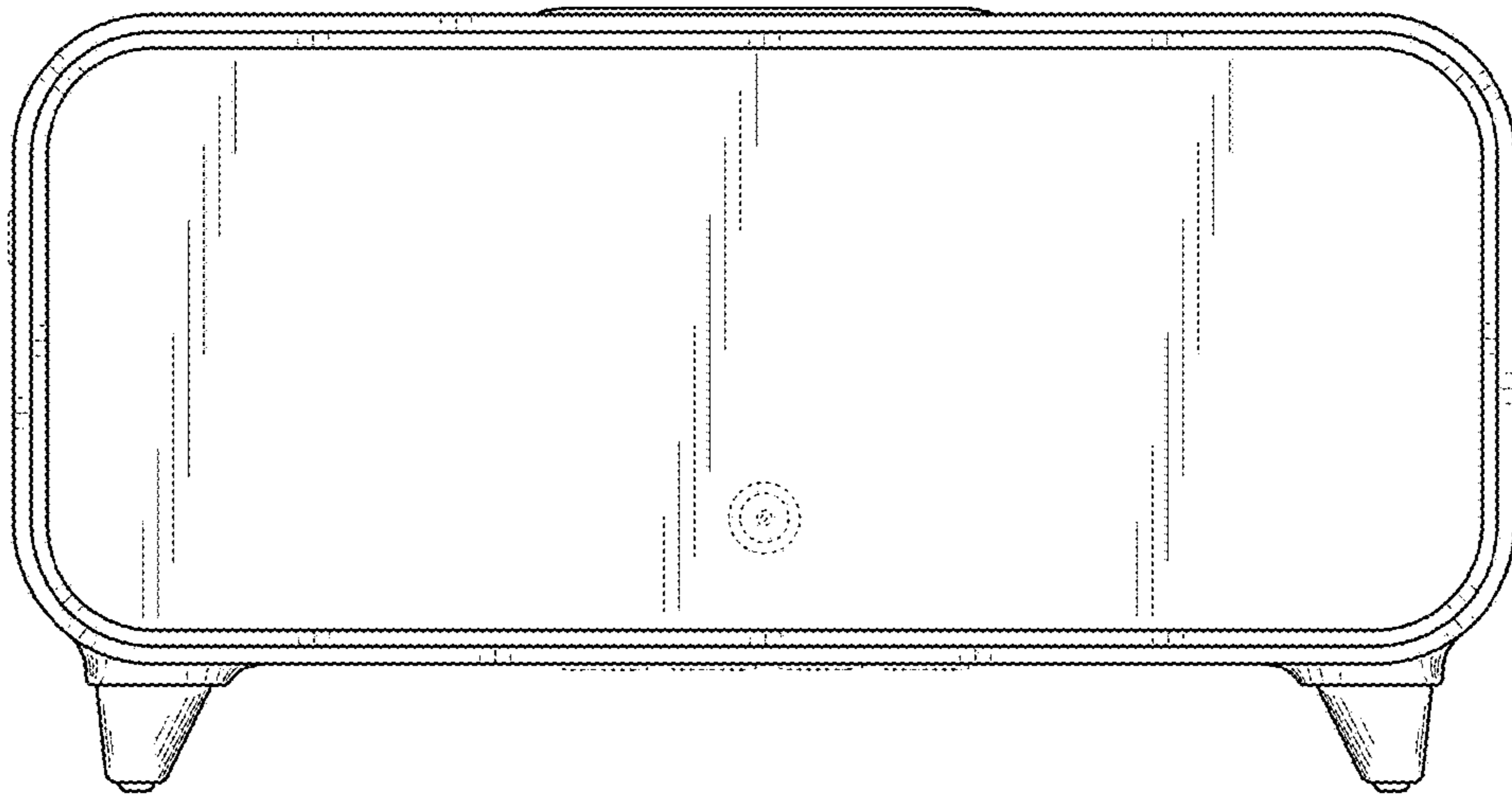


Figure 3

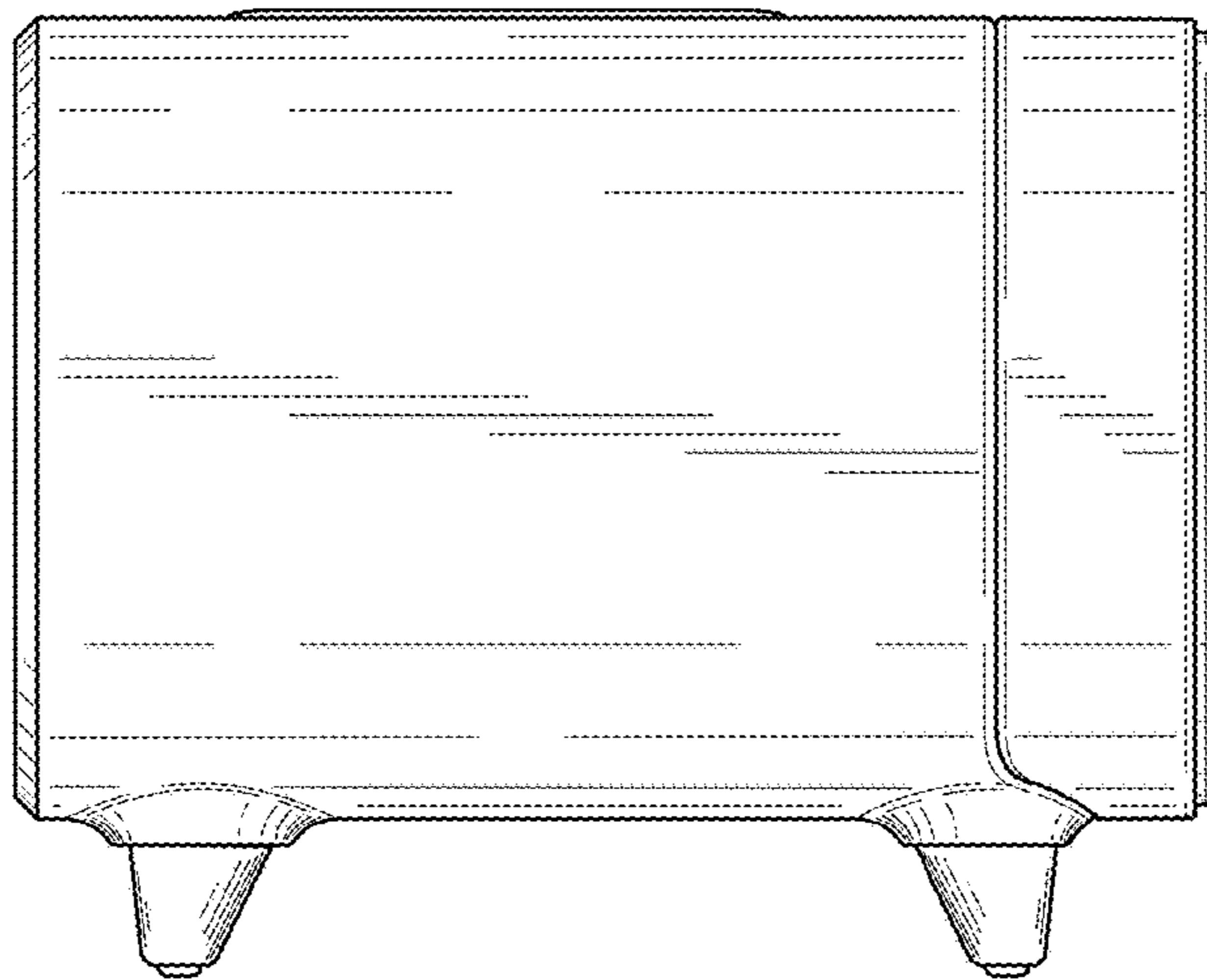


Figure 4

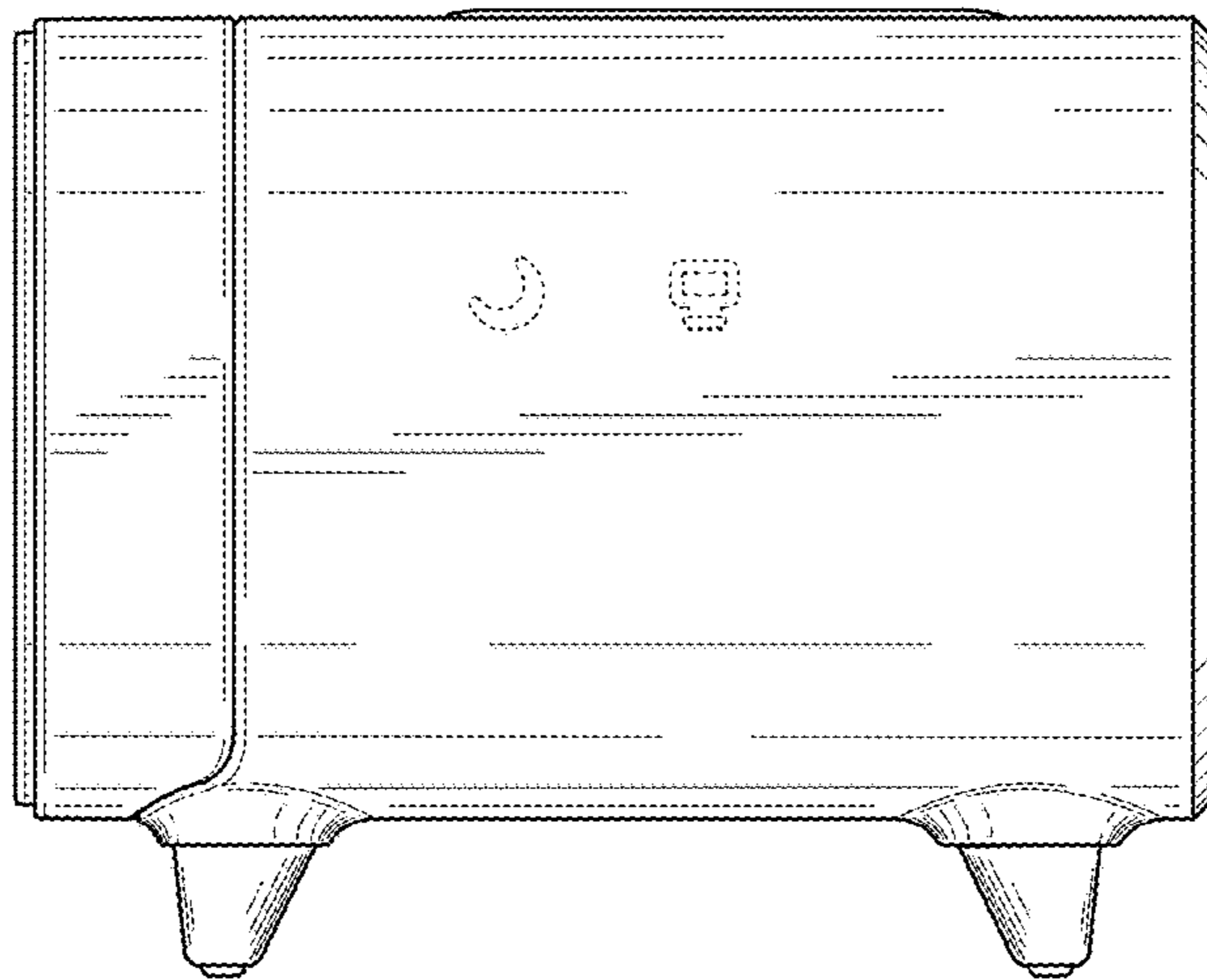


Figure 5

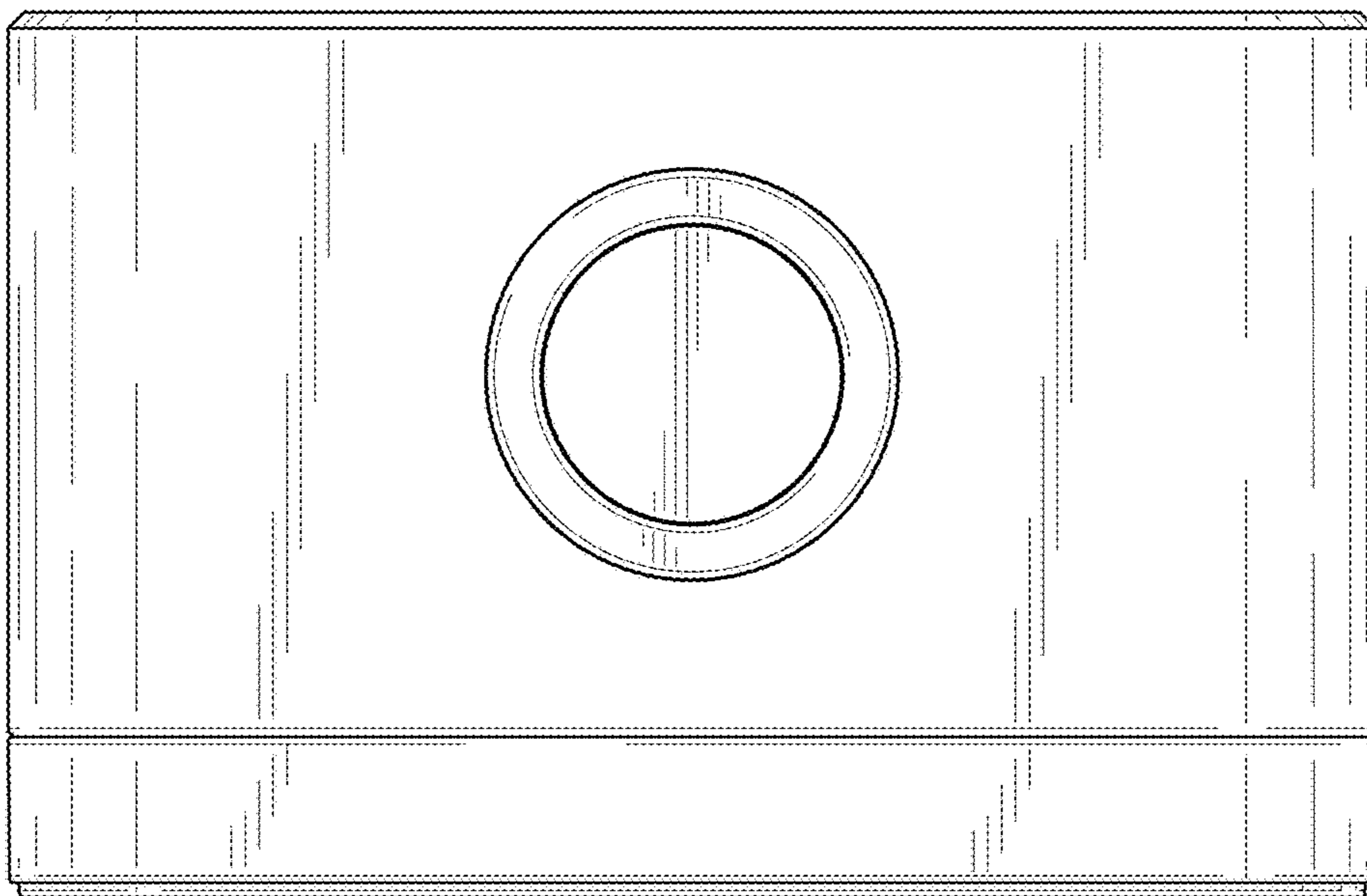


Figure 6

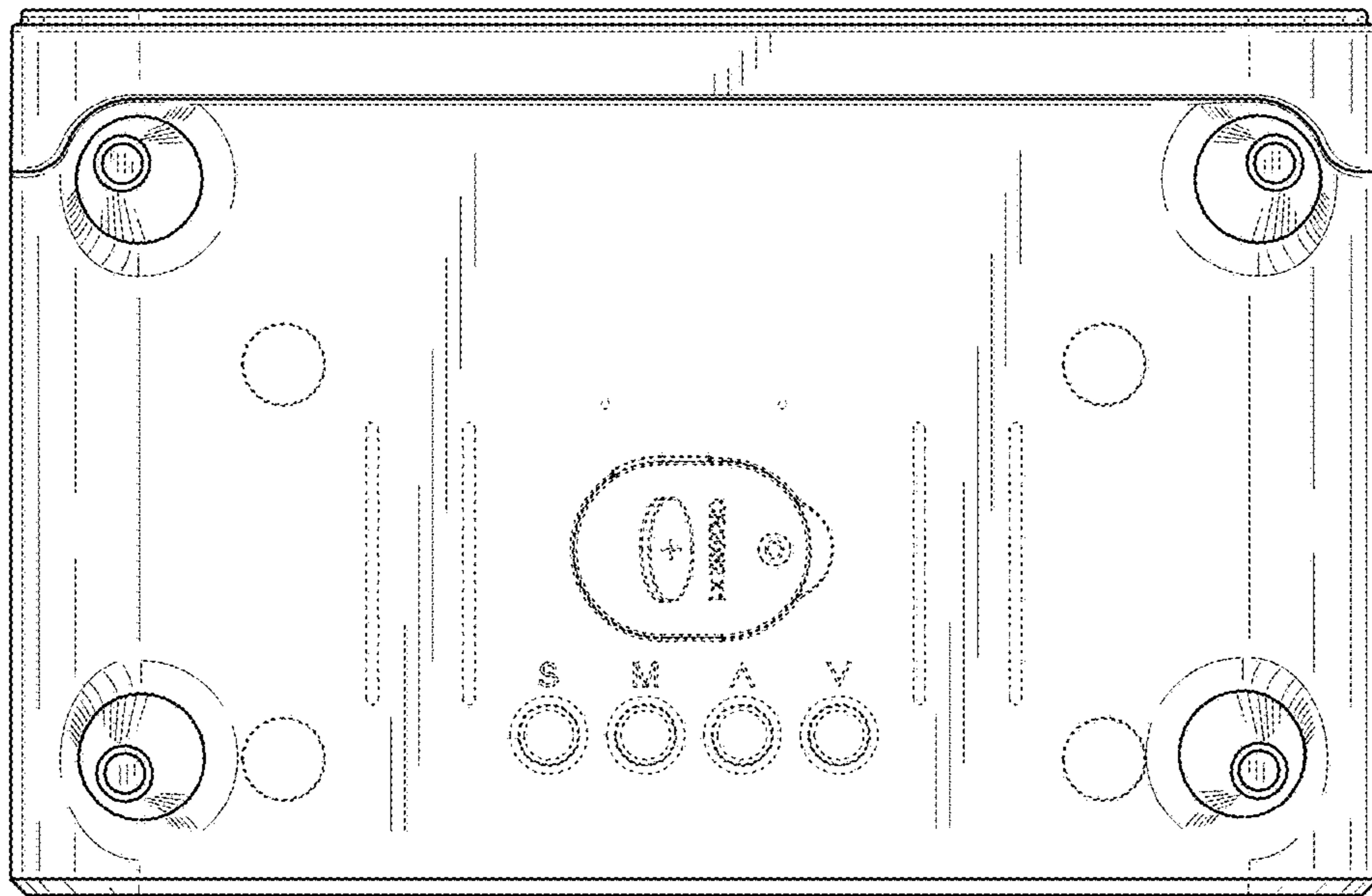


Figure 7