



US00D842129S

(12) **United States Design Patent**  
**Yang**

(10) **Patent No.:** **US D842,129 S**  
(45) **Date of Patent:** **\*\* Mar. 5, 2019**

- (54) **ALARM CLOCK RADIO**
- (71) Applicant: **Shenzhen Hexingtai Electronics Technology Co., Ltd., Shenzhen (CN)**
- (72) Inventor: **Wenlong Yang, Xinji Town (CN)**
- (73) Assignee: **Shenzhen Hexingtai Electronics Technology Co., Ltd., Shenzhen (CN)**

- D544,371 S \* 6/2007 Bhavnani ..... D10/15
- D552,075 S \* 10/2007 Zeitman ..... D10/2
- D587,239 S \* 2/2009 Raisanen ..... D14/188
- D669,500 S \* 10/2012 Dangerfield ..... D14/203.1
- D693,699 S \* 11/2013 Hsu ..... D10/15
- D694,127 S \* 11/2013 Hsu ..... D10/15
- D700,528 S \* 3/2014 Joseph ..... D10/15
- D729,761 S \* 5/2015 Hu ..... D14/194
- D736,186 S \* 8/2015 Kauppila ..... D14/225
- D770,310 S \* 11/2016 Rogers ..... D10/40

(Continued)

(\*\*) Term: **15 Years**

(21) Appl. No.: **29/600,448**

(22) Filed: **Apr. 12, 2017**

(51) **LOC (11) Cl.** ..... **10-01**

(52) **U.S. Cl.**  
USPC ..... **D10/15; D14/171**

(58) **Field of Classification Search**  
 USPC ..... D10/1-5, 15, 20-28, 30-32, 39, 40, 42,  
 D10/128-130; D14/131, 157, 168-171,  
 D14/188, 198, 203.3-203.7, 217, 344,  
 D14/496, 498-511; D20/20; D23/235;  
 D26/24; D99/28  
 CPC ..... G04B 17/00; G04B 19/223; G04B 19/24;  
 G04B 37/00; G04B 45/0076; G04B  
 45/0053; G04C 1/04; G04C 5/00; G04C  
 3/00; G04C 3/008; G04C 3/027; G04C  
 23/02; H04B 1/06; H04B 1/08; H04M  
 1/04

See application file for complete search history.

(56) **References Cited**

**U.S. PATENT DOCUMENTS**

- D241,626 S \* 9/1976 Durco, Jr. .... D10/15
- D246,158 S \* 10/1977 Durco, Jr. .... D10/15
- D255,101 S \* 5/1980 Booty ..... D10/15
- D274,191 S \* 6/1984 Aoijs ..... D10/15
- D277,556 S \* 2/1985 Pappas ..... D10/15
- D475,303 S \* 6/2003 Lau ..... D10/15
- D523,354 S \* 6/2006 Li ..... D10/15

**OTHER PUBLICATIONS**

Homtime C1pro | posted at Kickstarter.com Jun. 2015 Kickstarter, PBC © 2018 [online][site visited Feb. 4, 2017]. Available from Internet: <<https://www.kickstarter.com/projects/517227712/homtime-c1pro-your-all-in-one-bedside-gadget/description>> (Year: 2015).\*

(Continued)

*Primary Examiner* — Sandra S Snapp  
*Assistant Examiner* — Katherine Glennon

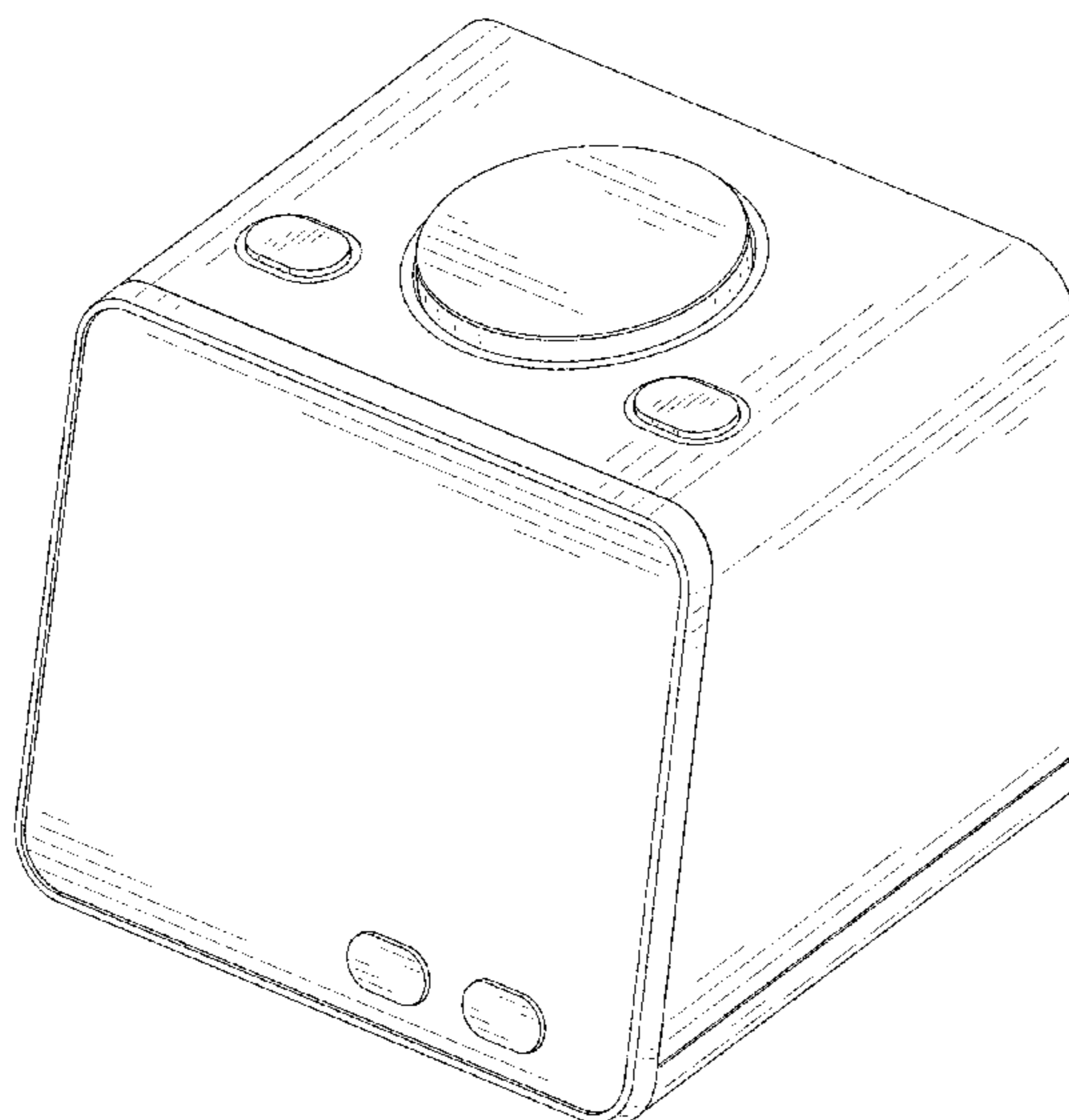
(57) **CLAIM**

The ornamental design for an alarm clock radio, as shown and described.

**DESCRIPTION**

FIG. 1 is a front elevation view of an alarm clock radio showing my new design;  
 FIG. 2 is a rear elevation view thereof;  
 FIG. 3 is a left side elevation view thereof;  
 FIG. 4 is a right side elevation view thereof;  
 FIG. 5 is a top plan view thereof;  
 FIG. 6 is a bottom plan view thereof;  
 FIG. 7 is a front perspective view thereof; and,  
 FIG. 8 is a rear perspective view thereof.  
 The broken lines shown in the drawings are for the purpose of illustrating portions of the alarm clock radio that form no part of the claimed design.

**1 Claim, 8 Drawing Sheets**



(56)

**References Cited**

U.S. PATENT DOCUMENTS

D778,986 S \* 2/2017 Kacin ..... D19/77  
D779,455 S \* 2/2017 Balcerzak ..... D14/172  
D795,216 S \* 8/2017 Poandl ..... D14/170  
2005/0237218 A1 \* 10/2005 Tang ..... H04R 5/02  
340/815.45

OTHER PUBLICATIONS

HONdream USB Alarm Clock Radio | posted at amazon.com Nov. 2017 © 1996-2018, Amazon.com, Inc [online][site visited Feb. 4, 2018]. Available from Internet: <[https://www.amazon.com/dp/B077PW8MHK/ref=sspa\\_dk\\_detail\\_5?psc=1](https://www.amazon.com/dp/B077PW8MHK/ref=sspa_dk_detail_5?psc=1)> (Year: 2017).\*

\* cited by examiner

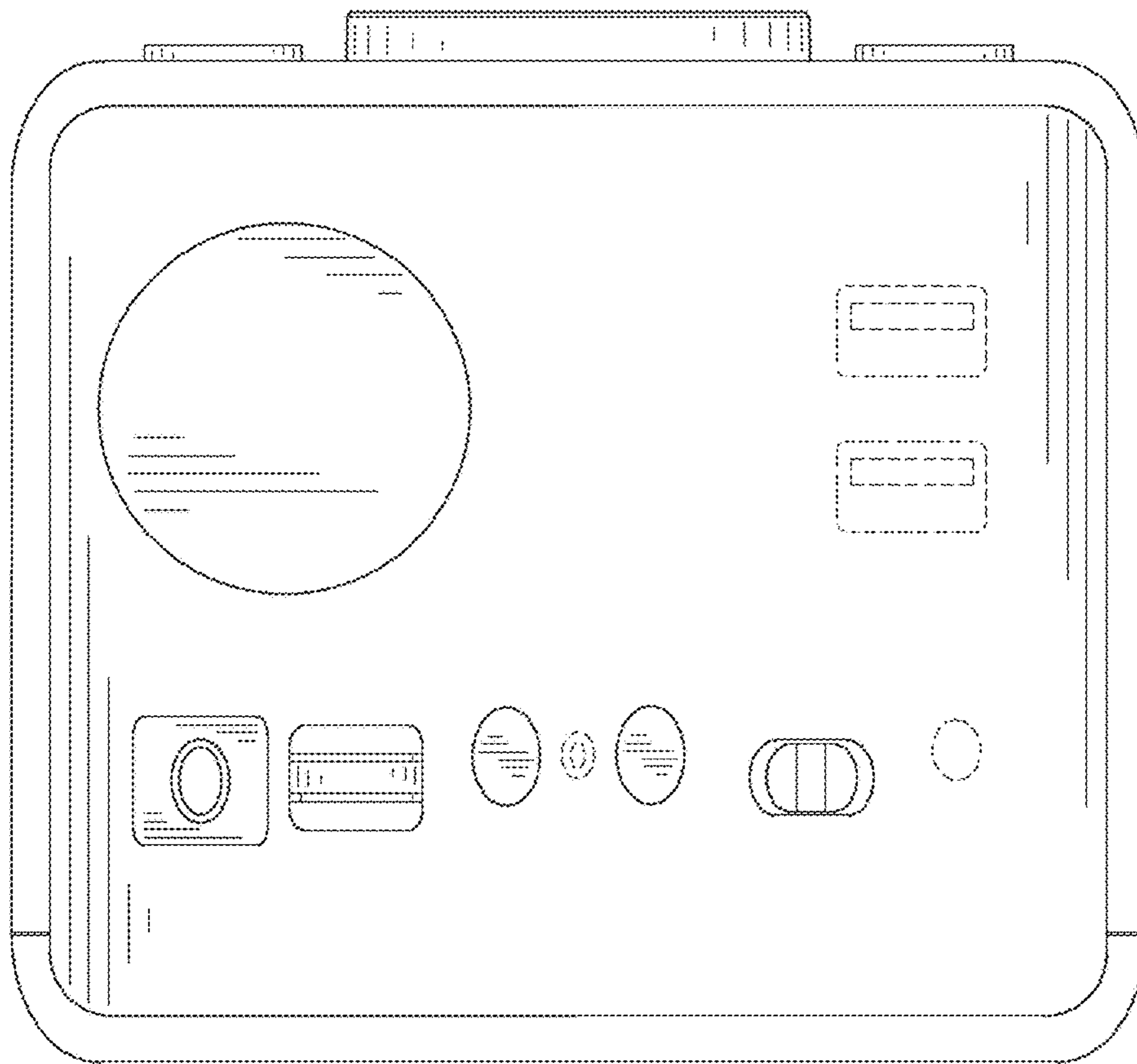


FIG. 1

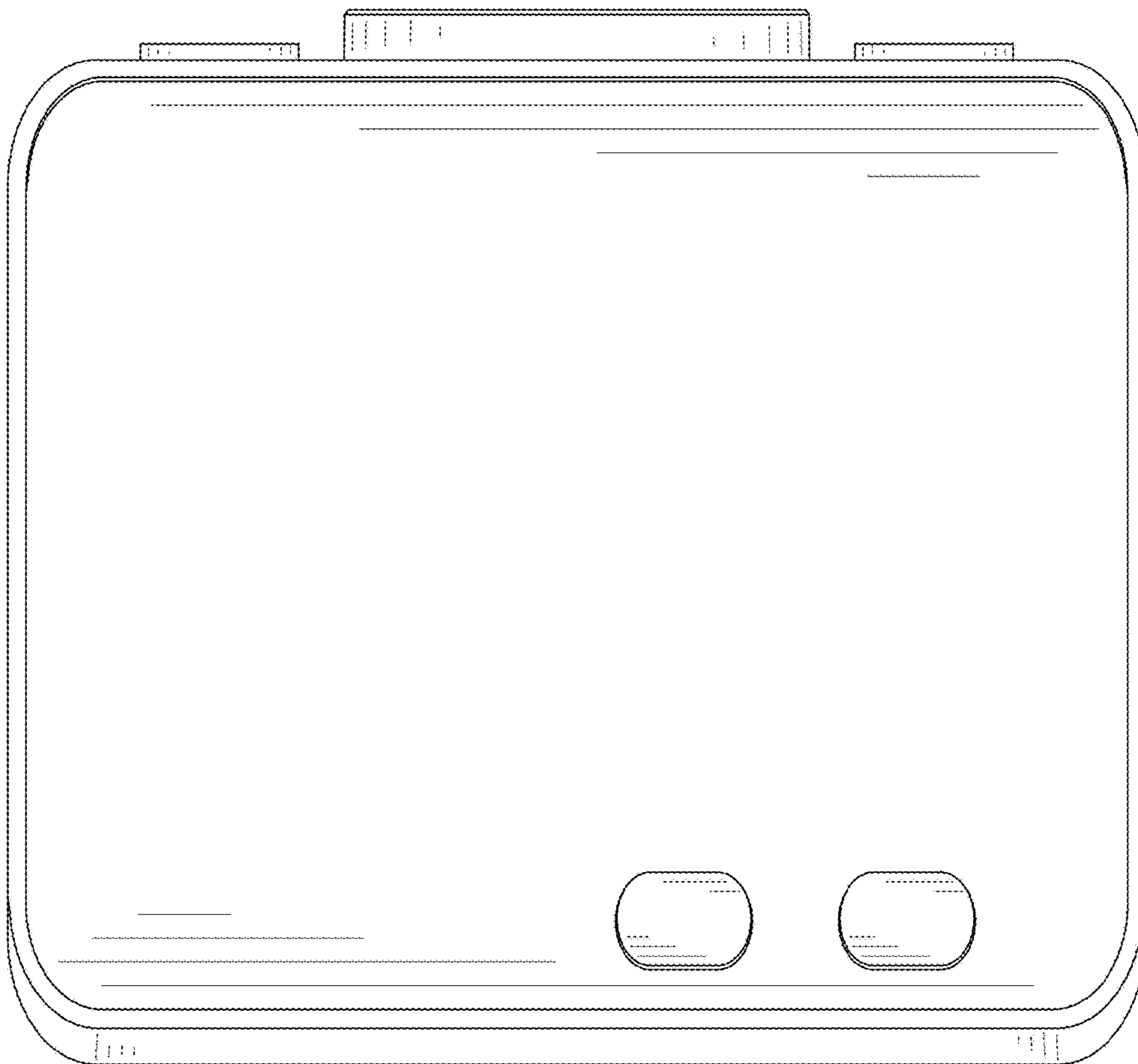


FIG. 2

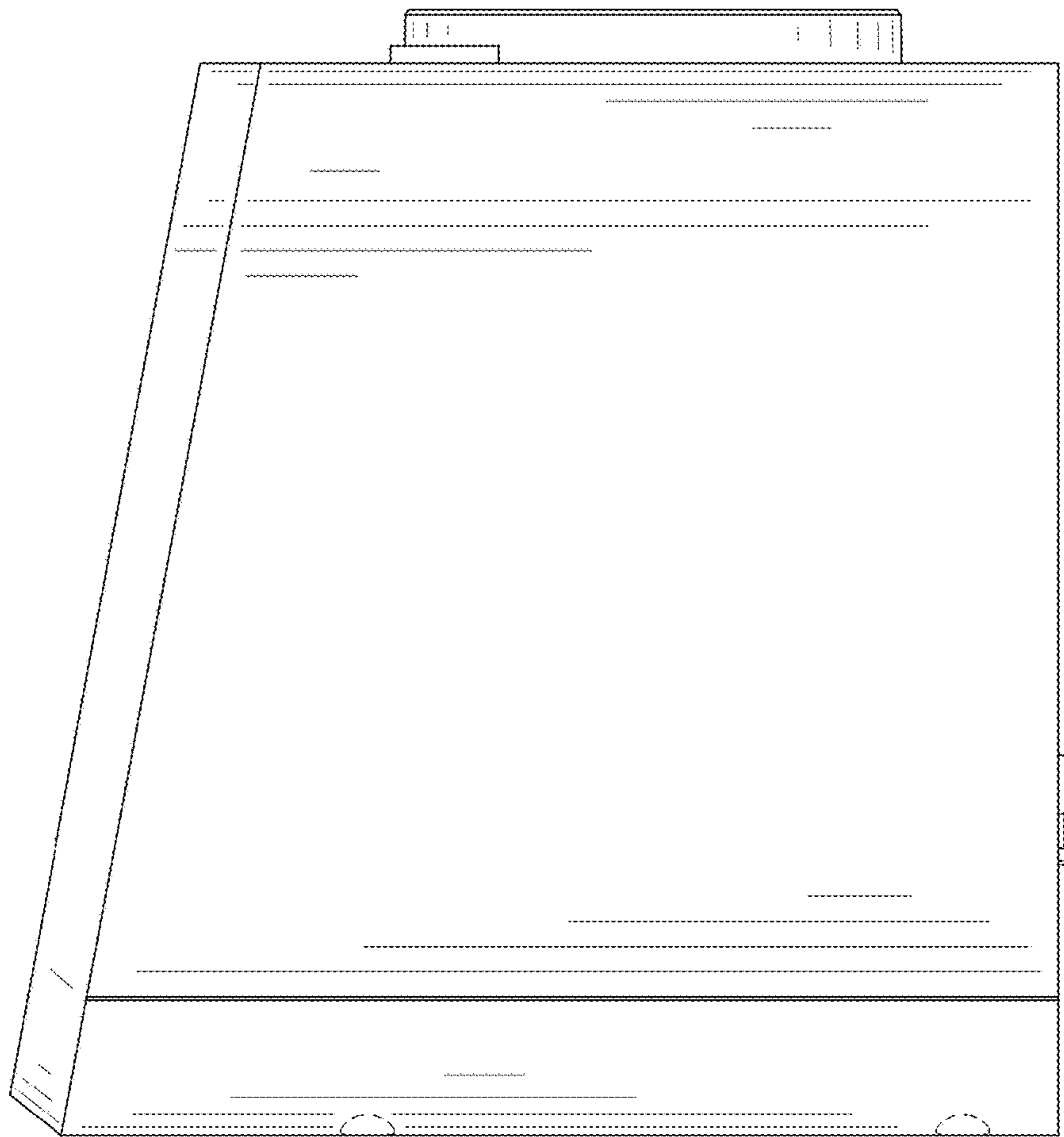


FIG. 3

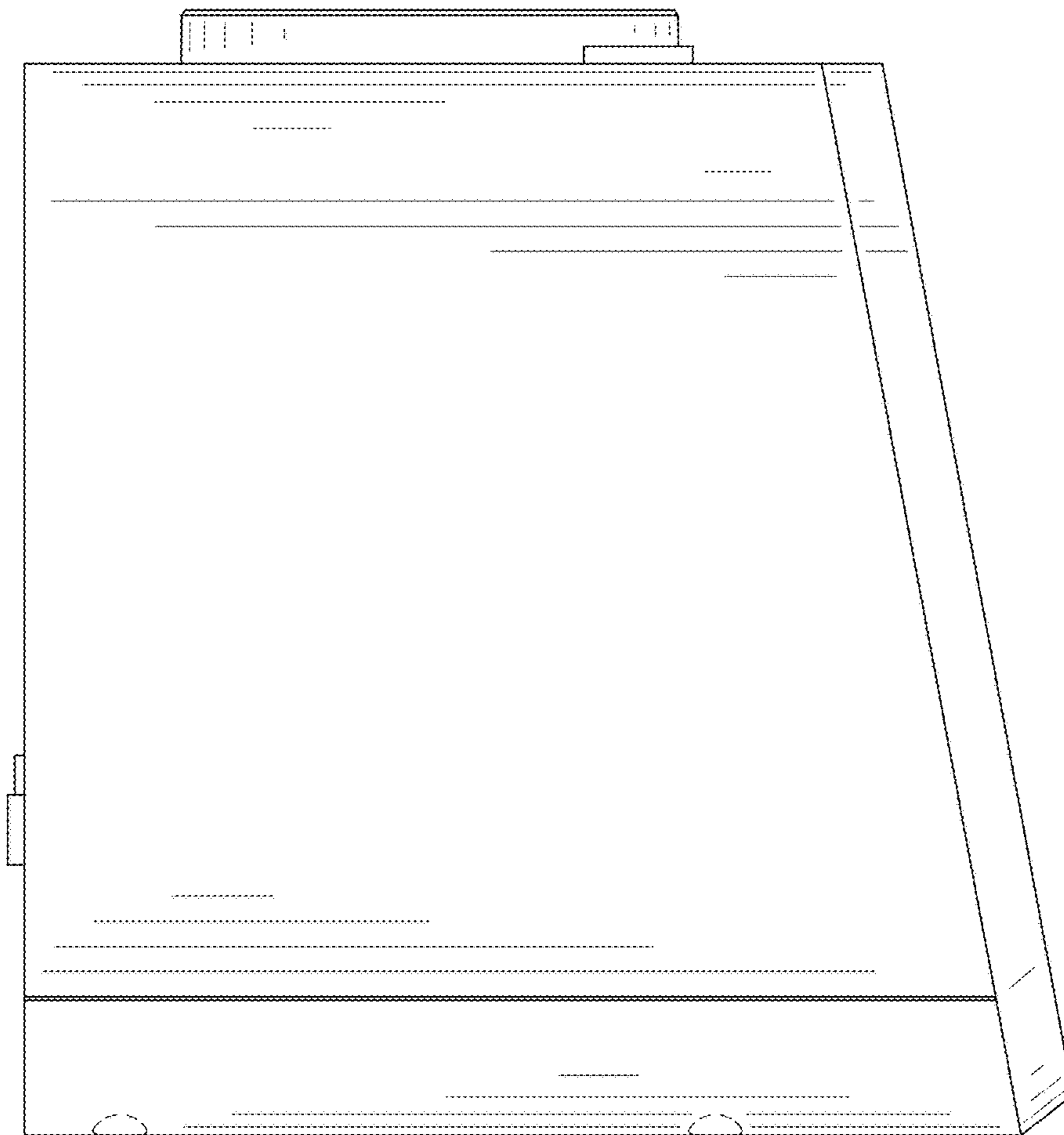


FIG. 4

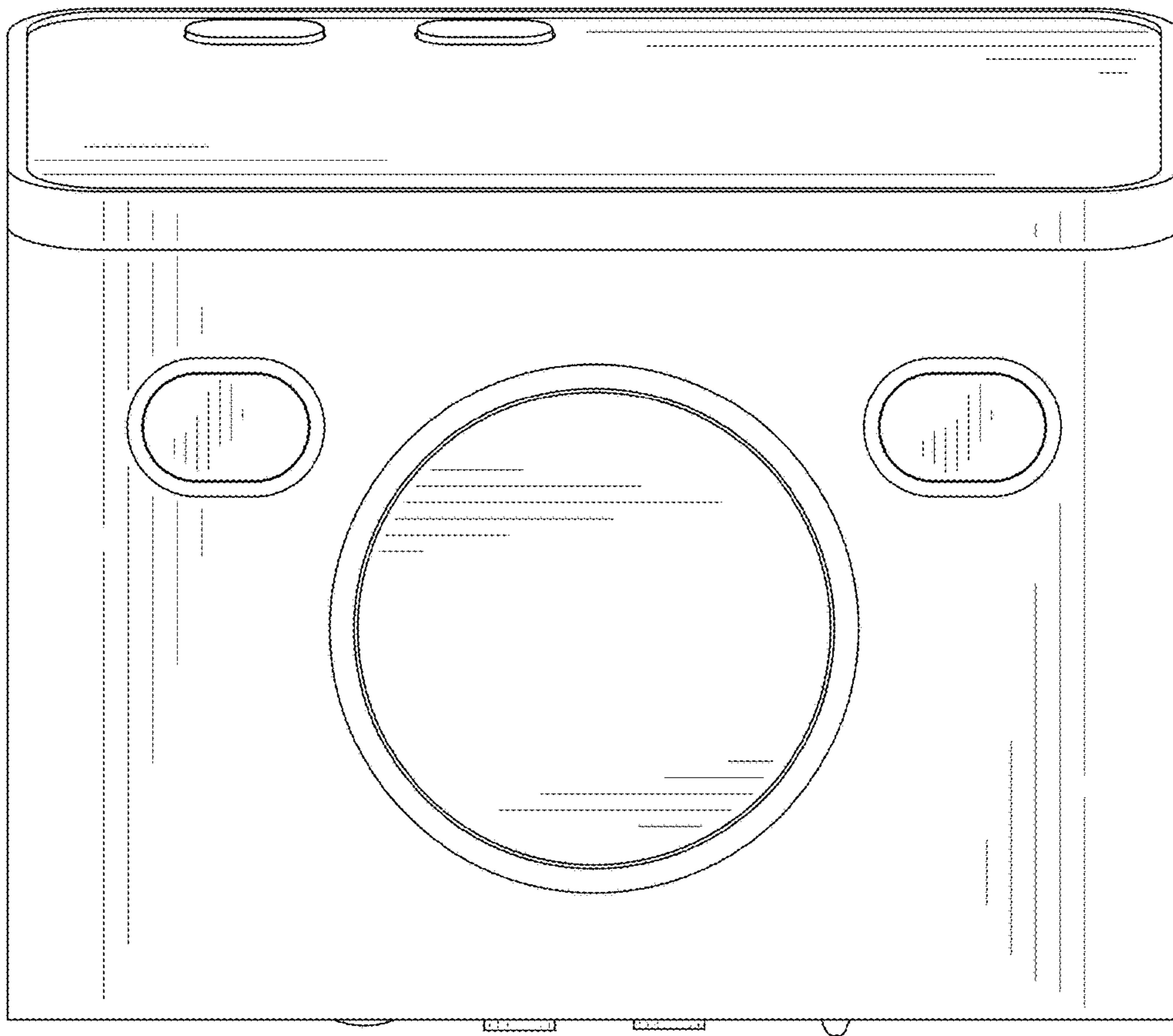


FIG. 5

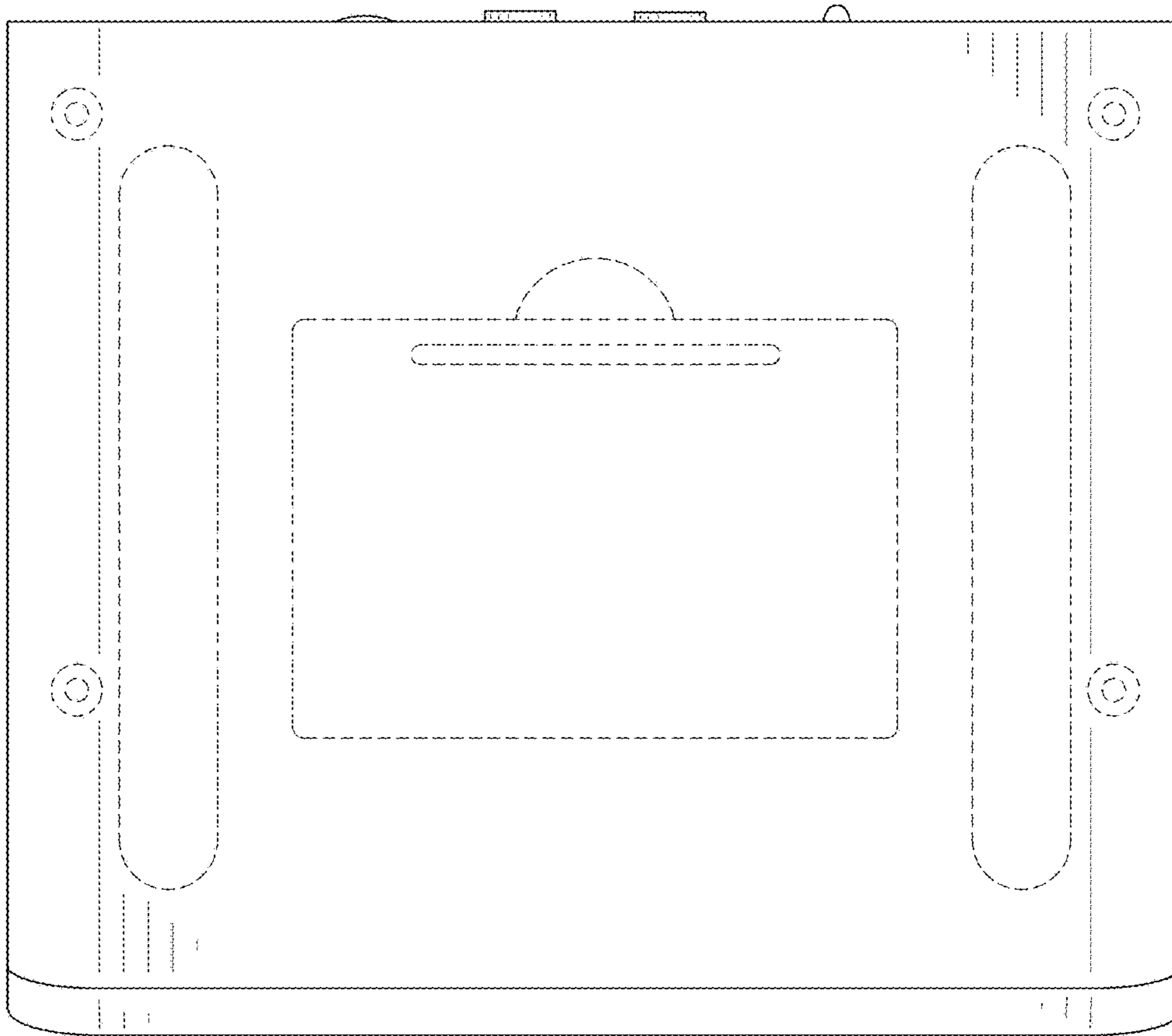


FIG. 6



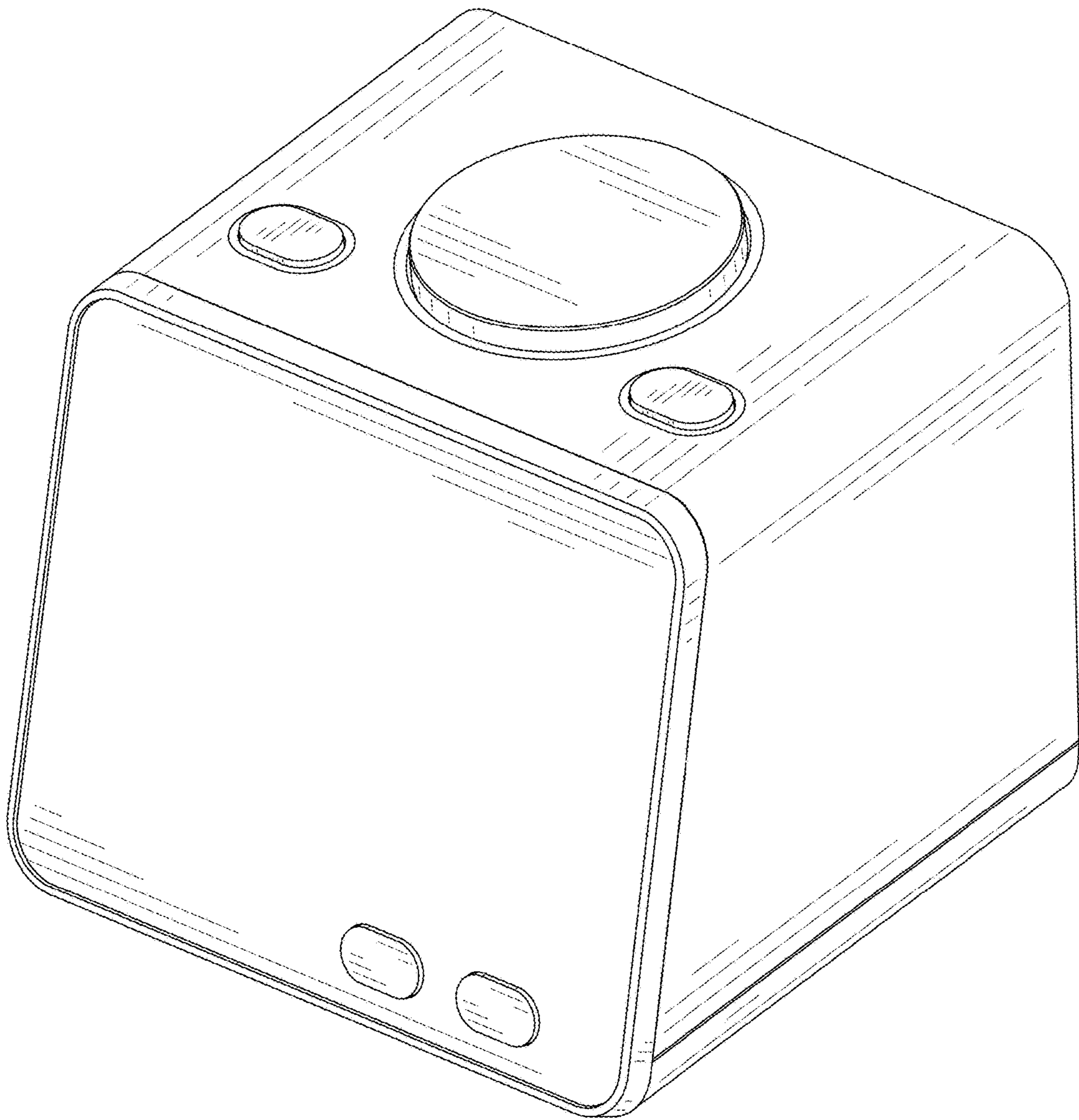


FIG. 7

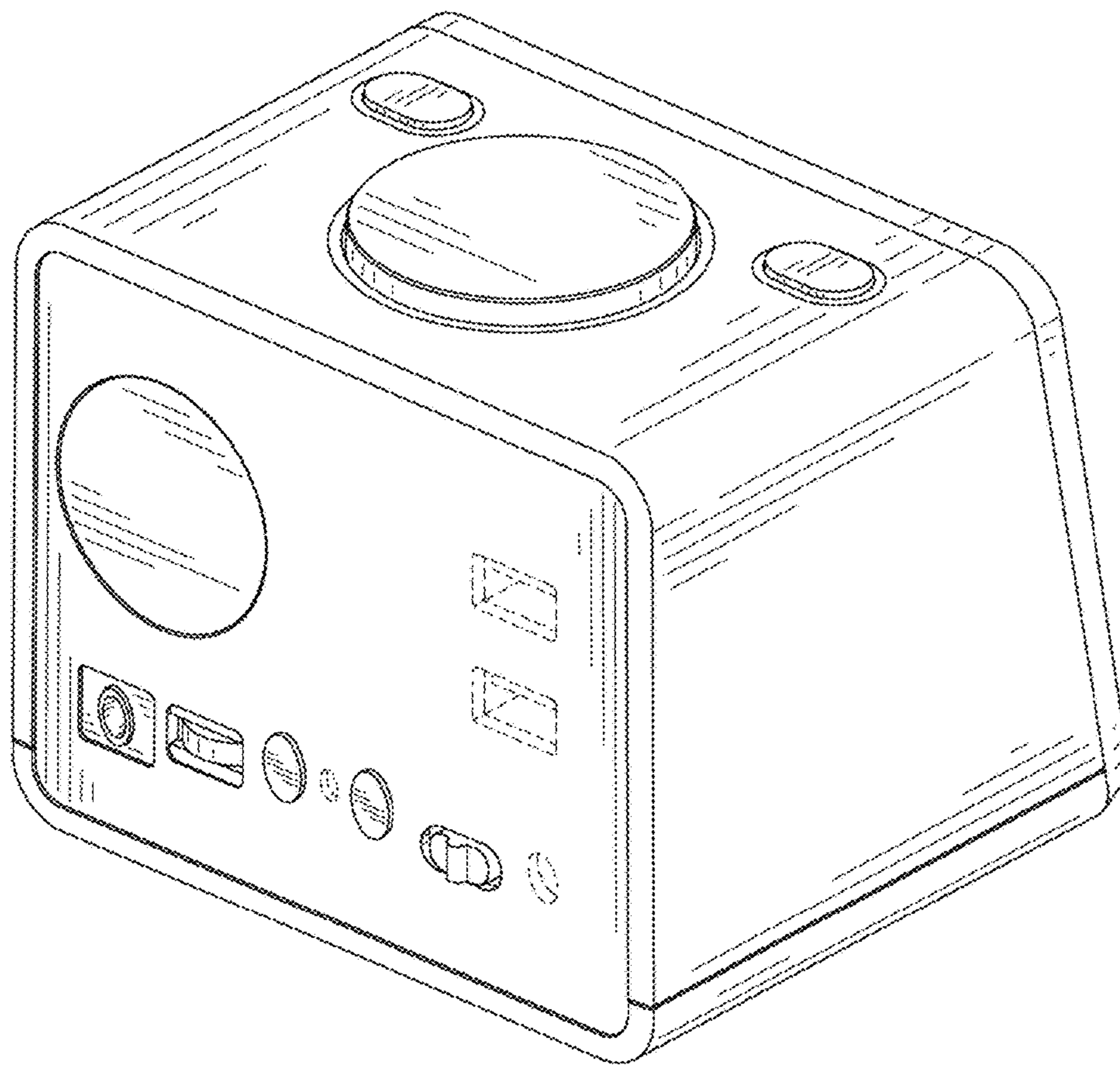


FIG. 8