



US00D842127S

(12) **United States Design Patent**  
**Lanzafame**

(10) **Patent No.:** **US D842,127 S**  
(45) **Date of Patent:** **\*\* Mar. 5, 2019**

- (54) **PACKAGE THAT DISPENSES AN ITEM**
- (71) Applicant: **Philip F. Lanzafame**, Bellevue, WA (US)
- (72) Inventor: **Philip F. Lanzafame**, Bellevue, WA (US)
- (73) Assignee: **Philip F. Lanzafame**, Bellevue, WA (US)
- (\*\*) Term: **15 Years**
- (21) Appl. No.: **29/592,669**
- (22) Filed: **Feb. 1, 2017**
- (51) **LOC (11) Cl.** ..... **09-03**
- (52) **U.S. Cl.**  
USPC ..... **D9/734; D9/709**
- (58) **Field of Classification Search**  
USPC ..... D9/702, 707, 709, 734; D28/76, 83  
CPC ..... B65D 75/5838; B65D 2575/586; B65D 75/5855; B65D 75/5805; B65D 75/12; B65D 77/2096; B65D 2101/00; B65D 75/5827; B65D 83/0805; B65D 75/20; B65D 75/26; B65D 75/68; B65D 33/20; B65D 77/003; B65D 75/326; B65D 77/2032; B65D 2543/00425; B65D 2543/00194

See application file for complete search history.

(56) **References Cited**

**U.S. PATENT DOCUMENTS**

- 4,552,269 A \* 11/1985 Chang ..... B65D 75/5838  
229/125.09
- 6,767,604 B2 \* 7/2004 Muir, Jr. .... B32B 7/06  
428/40.1
- 7,228,968 B1 \* 6/2007 Burgess ..... B65D 75/5838  
206/233
- D630,522 S \* 1/2011 Harvey ..... D9/707
- D643,745 S \* 8/2011 Hartley ..... D9/707

- D667,733 S \* 9/2012 Beihoffer ..... D9/734
- 8,408,792 B2 \* 4/2013 Cole ..... B65D 75/5838  
383/203
- D688,567 S \* 8/2013 Stronski ..... D9/709
- 2005/0284776 A1 \* 12/2005 Kobayashi ..... B65D 75/5838  
206/210
- 2007/0095709 A1 \* 5/2007 Saito ..... A47K 10/421  
206/494
- 2008/0060751 A1 \* 3/2008 Arrindell ..... B65B 61/184  
156/248
- 2009/0028472 A1 \* 1/2009 Andersson ..... B65D 75/44  
383/205
- 2009/0190866 A1 \* 7/2009 Hughes ..... B65D 75/44  
383/207
- 2010/0018974 A1 \* 1/2010 Lyzenga ..... B65D 75/5838  
220/214
- 2010/0154264 A1 \* 6/2010 Scott ..... B65D 75/5838  
40/630
- 2016/0128779 A1 \* 5/2016 Allen ..... B65D 75/54  
53/492
- 2017/0036835 A1 \* 2/2017 Duncan ..... B65D 75/5838

(Continued)

*Primary Examiner* — Lauren R Calve

(74) *Attorney, Agent, or Firm* — Tucker Ellis LLP; Carlos P. Garritano

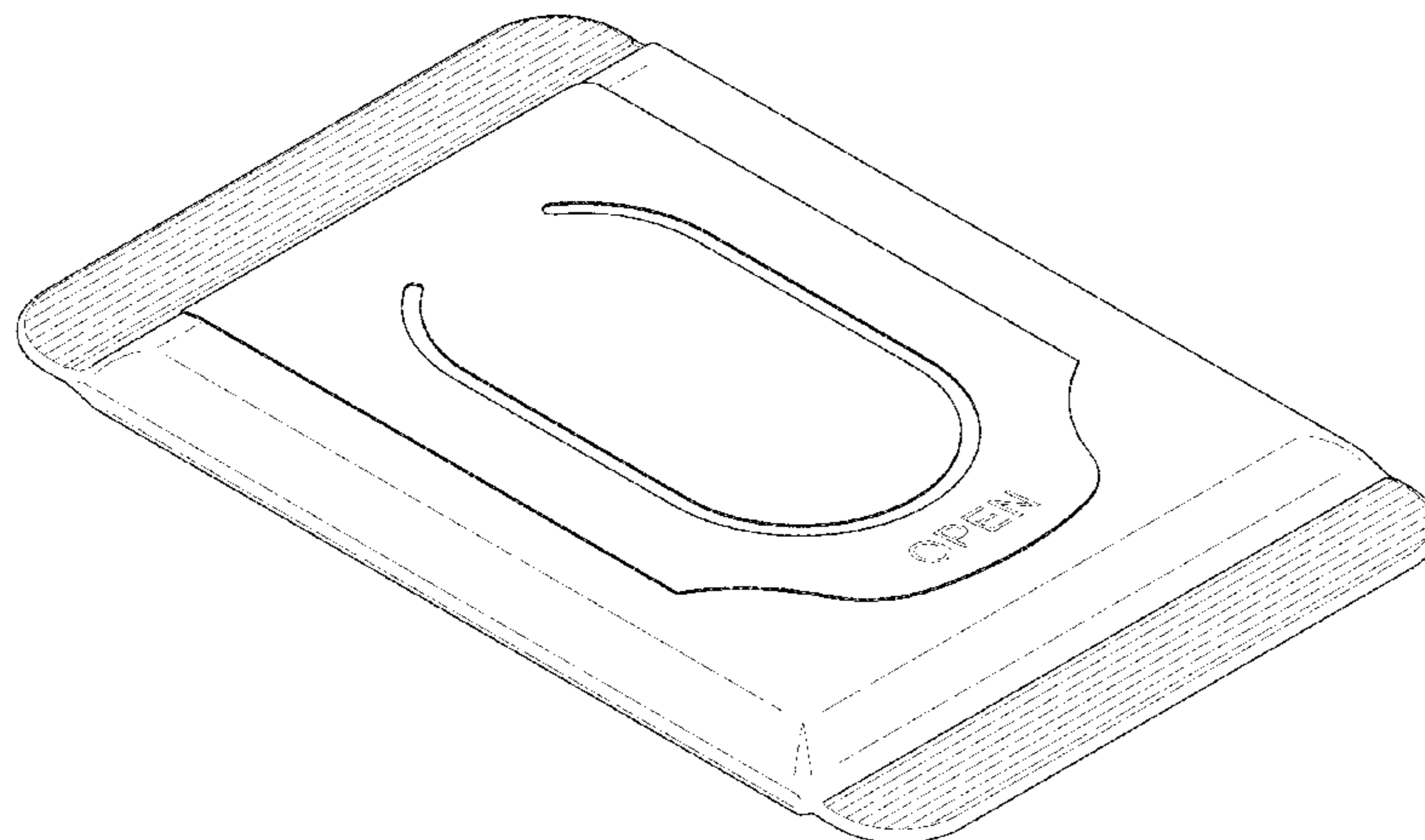
(57) **CLAIM**

The ornamental design for a package that dispenses an item, as shown and described.

**DESCRIPTION**

FIG. 1 is a top perspective view of a package that dispenses an item showing my new design;  
 FIG. 2 is a bottom perspective view thereof;  
 FIG. 3 is a front view thereof;  
 FIG. 4 is rear view thereof;  
 FIG. 5 is a top view thereof;  
 FIG. 6 is a bottom view thereof;  
 FIG. 7 is a left side view thereof; and,  
 FIG. 8 is a right side view thereof.

**1 Claim, 6 Drawing Sheets**



(56)

**References Cited**

U.S. PATENT DOCUMENTS

2018/0030302 A1\* 2/2018 Fletcher ..... B65D 77/245  
2018/0079575 A1\* 3/2018 Down ..... B65D 75/5838

\* cited by examiner

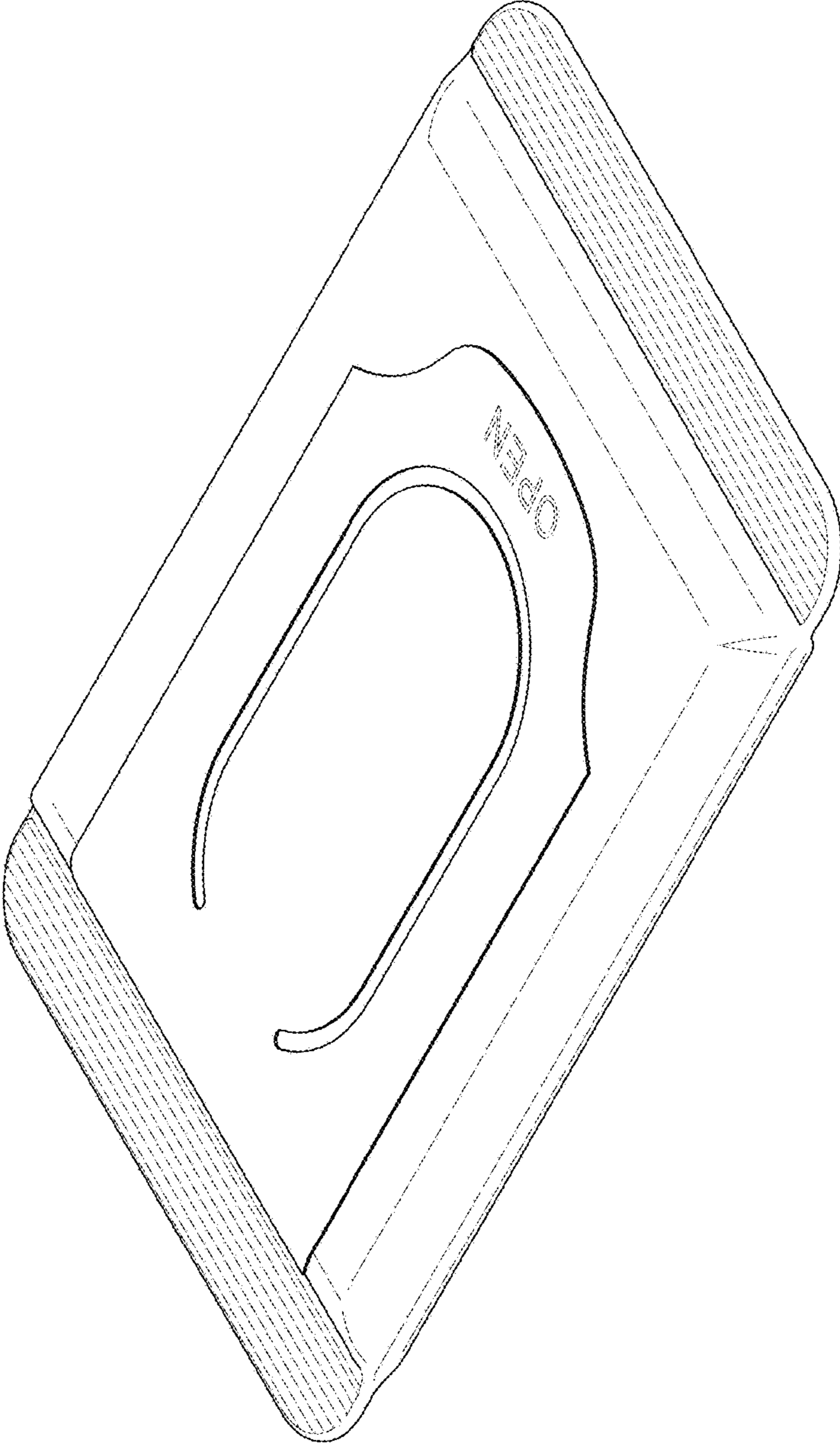


FIG. 1

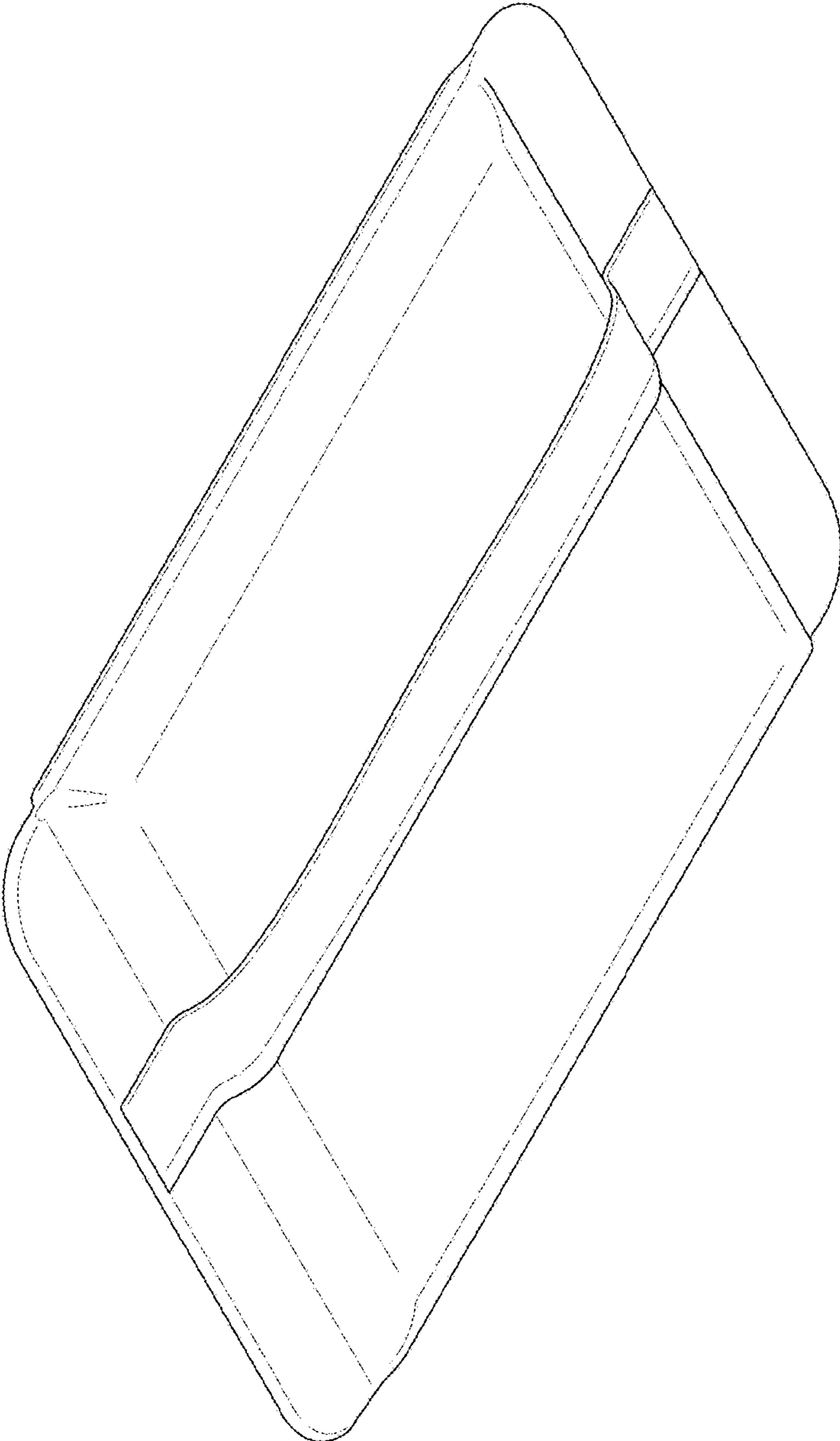


FIG. 2

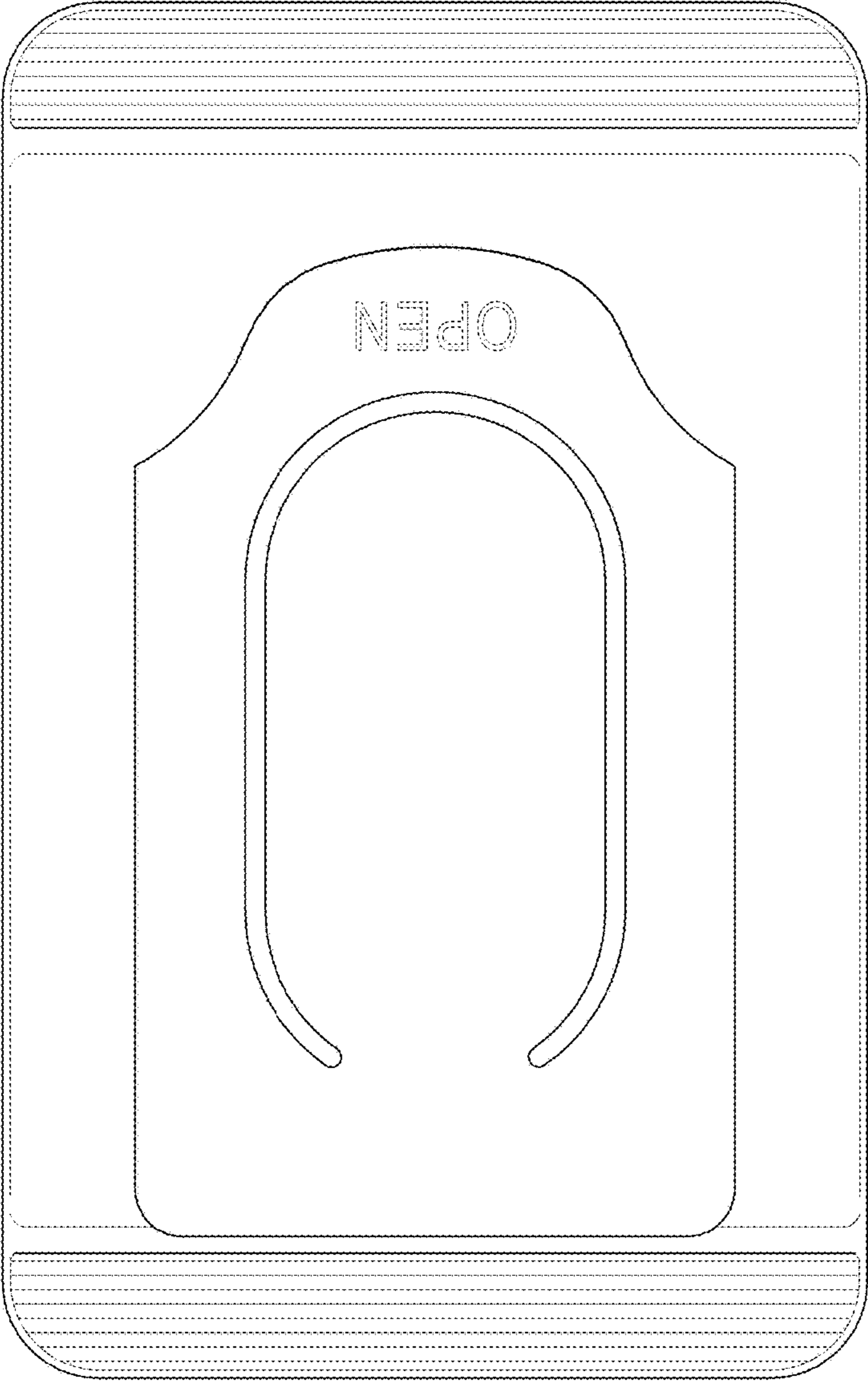


FIG. 3

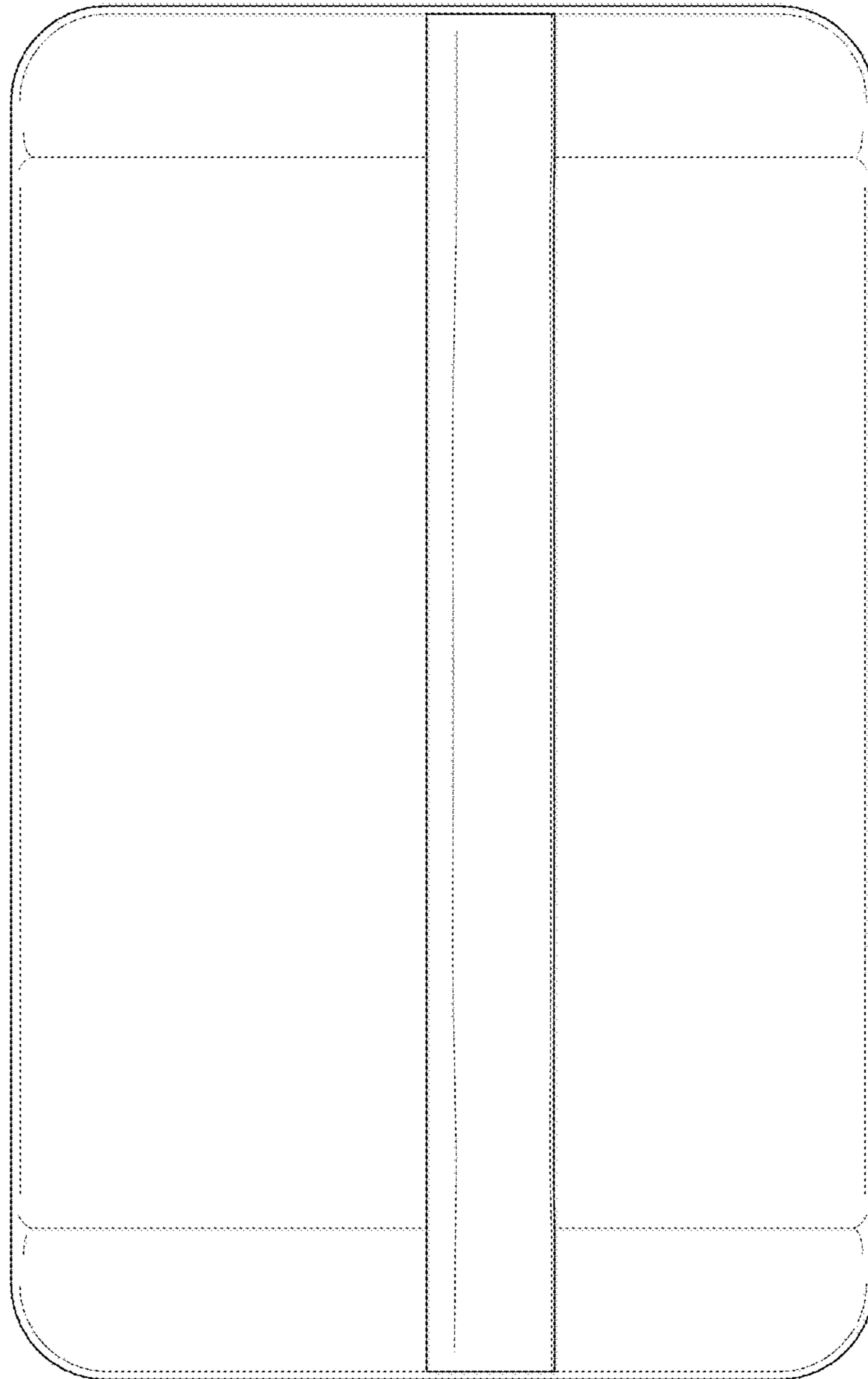


FIG. 4



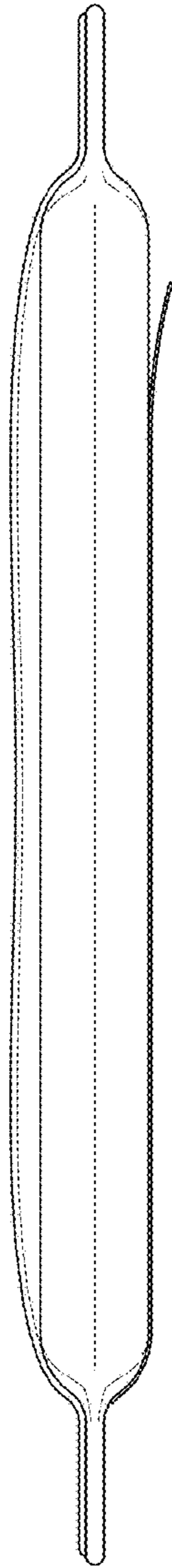


FIG. 5

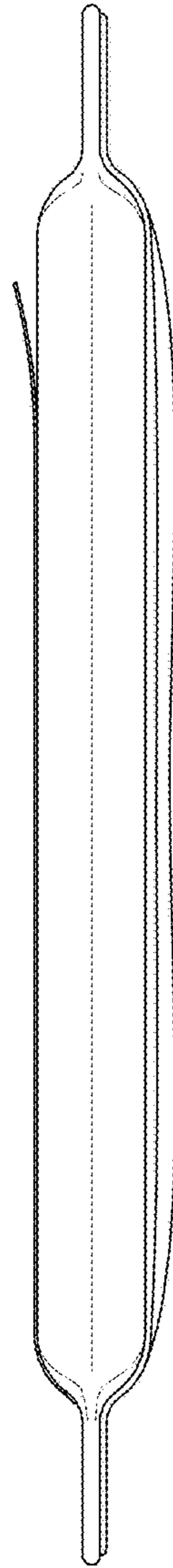


FIG. 6

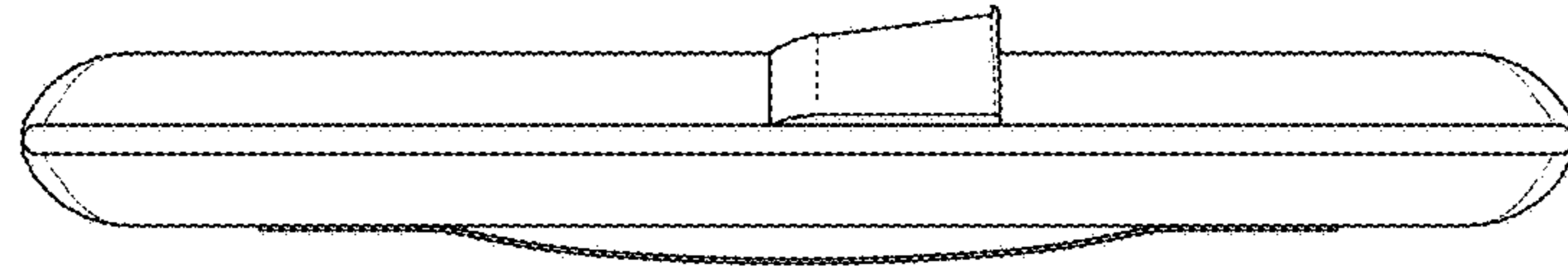


FIG. 8

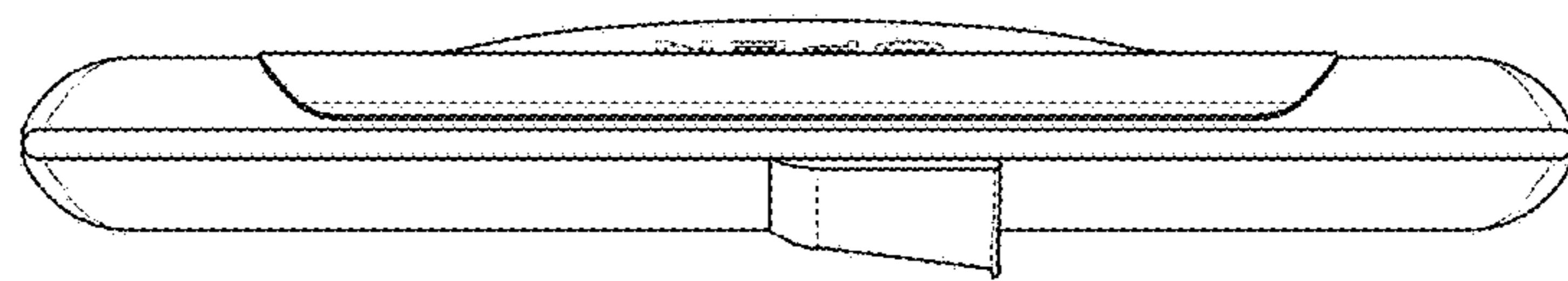


FIG. 7