



US00D842121S

(12) **United States Design Patent**
Lee

(10) **Patent No.:** **US D842,121 S**
(45) **Date of Patent:** **** Mar. 5, 2019**

- (54) **COSMETIC CONTAINER**
- (71) Applicant: **HAVE&BE CO., LTD**, Seoul (KR)
- (72) Inventor: **Chin Wook Lee**, Seoul (KR)
- (73) Assignee: **HAVE&BE CO., LTD**, Seoul (KR)
- (**) Term: **15 Years**
- (21) Appl. No.: **29/625,307**
- (22) Filed: **Nov. 8, 2017**

- D269,948 S * 8/1983 Janssen D9/416
- D275,933 S * 10/1984 Topor D9/448
- D280,295 S * 8/1985 de Mouy D9/544
- D309,256 S * 7/1990 Boesel D9/526
- 5,160,071 A * 11/1992 Wright B05B 11/3045
222/324
- 5,421,485 A * 6/1995 Furuta B05B 11/00412
222/95
- 5,554,197 A * 9/1996 Assini A45D 19/00
132/208
- D394,368 S * 5/1998 Mekler D7/605
- 5,878,916 A * 3/1999 DeJonge B05B 11/3059
222/153.13
- D483,588 S * 12/2003 Ellis D6/542
(Continued)

(30) **Foreign Application Priority Data**

- Sep. 29, 2017 (KR) 30-2017-0046266
- (51) **LOC (11) Cl.** **09-01**
- (52) **U.S. Cl.**
USPC **D9/694**; D9/682
- (58) **Field of Classification Search**
USPC D9/682-694, 715, 719, 516, 517,
D9/523-526, 529, 544, 560, 563-575,
D9/434-436, 448; D6/542; D28/76, 77,
D28/91.1
CPC B65D 1/00; B65D 1/0223; B65D 1/0261;
B65D 1/04; B65D 1/06; B65D 1/40;
B65D 2501/0081; B65D 83/14; B65D
83/38; B65D 83/384; B65D 83/386;
B65D 83/40; B65D 83/752; B65D
83/753; B65D 81/32; B65D 81/325;
B65D 81/3255; B05B 11/00-11/3098;
A45D 34/00; A45D 34/02; A45D 34/04;
A45D 2034/002; A45D 2034/005; A45D
2034/007; A45D 2200/05-2200/058;
A45D 2040/0006; A45D 2040/0012
See application file for complete search history.

(56) **References Cited**

U.S. PATENT DOCUMENTS

- D207,882 S * 6/1967 Coulthurst D9/522
- D218,281 S * 8/1970 Diener D9/523

FOREIGN PATENT DOCUMENTS

- DE 3744438 A1 * 7/1989 A45D 33/26
- WO WO-2018039154 A1 * 3/2018 B05B 11/306

Primary Examiner — Catherine A Tuttle
(74) *Attorney, Agent, or Firm* — Steve Zemanick

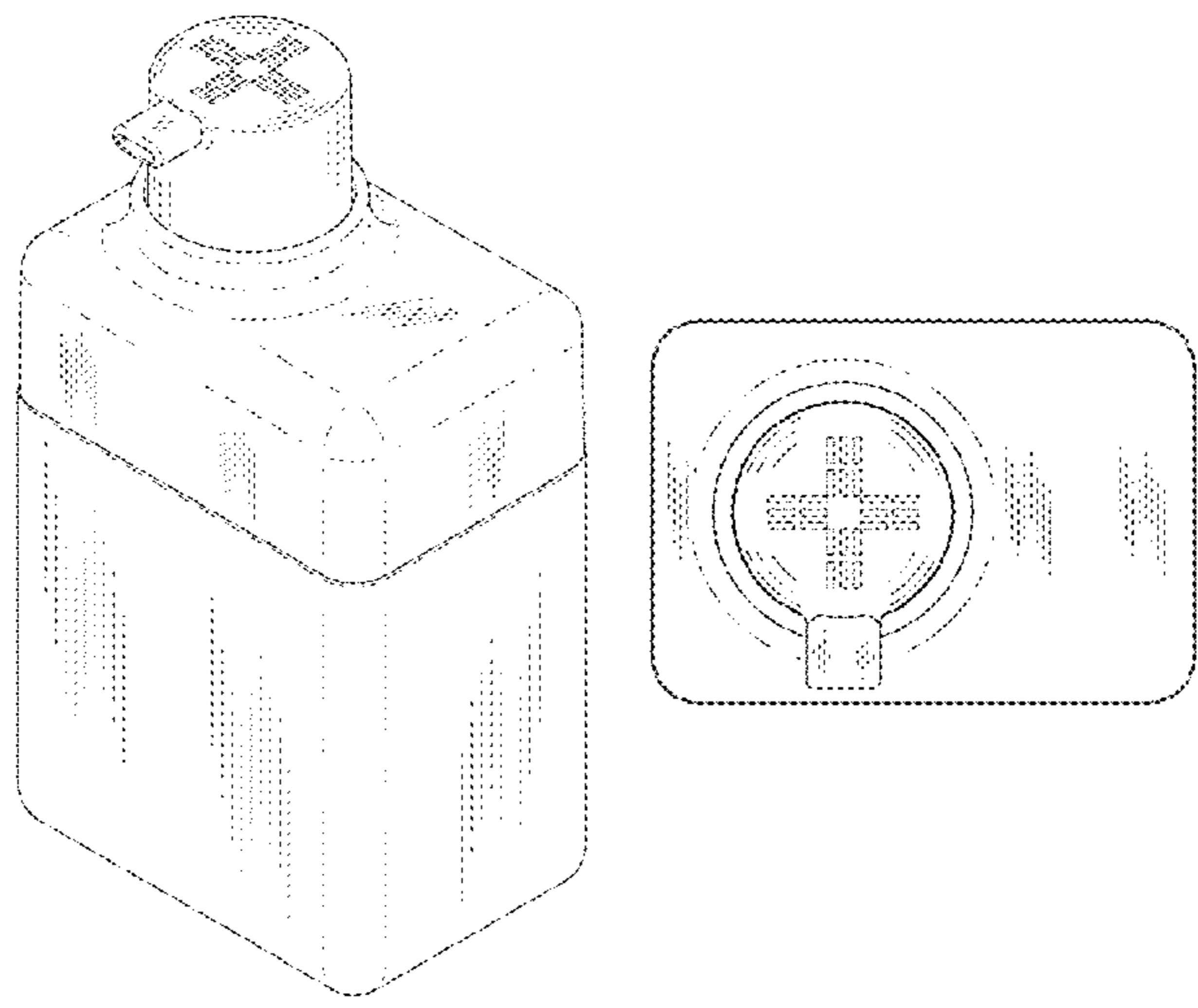
(57) **CLAIM**

The ornamental design for a cosmetic container, as shown and described herein.

DESCRIPTION

FIG. 1 is a right, front, top perspective view of a cosmetic container showing my new design;
 FIG. 2 is a left, front, bottom perspective view thereof;
 FIG. 3 is a front view thereof;
 FIG. 4 is a rear view thereof;
 FIG. 5 is a left side view thereof; the right side view being a mirror image;
 FIG. 6 is a top view thereof; and,
 FIG. 7 is a bottom view thereof.
 The features shown in broken lines represent portions of the cosmetic container which form no part of the claimed design.

1 Claim, 7 Drawing Sheets



(56)

References Cited

U.S. PATENT DOCUMENTS

D512,638	S *	12/2005	Baron	D9/523
D539,665	S *	4/2007	Haubert	D9/686
D579,343	S *	10/2008	Calvo	D9/694
D628,489	S *	12/2010	Caten	D9/523
D665,262	S *	8/2012	Regas	D9/516
D697,816	S *	1/2014	Lee	D9/691
D723,373	S *	3/2015	Wahl	D9/449
D727,162	S *	4/2015	Gaydon	D9/544
D755,631	S *	5/2016	Mather	D28/91.1
9,403,632	B1 *	8/2016	Ramos	B65D 81/245
2001/0035429	A1 *	11/2001	Colquhoun	A47K 5/12 222/93
2003/0218021	A1 *	11/2003	Shimizu	B65D 1/0215 220/723
2005/0211795	A1 *	9/2005	Ueda	B05B 11/00412 239/302
2007/0186924	A1 *	8/2007	Terrasi	B05B 11/0032 128/200.23
2012/0298695	A1 *	11/2012	Garrison	B05B 11/0037 222/175
2013/0099929	A1 *	4/2013	Ophardt	A47K 5/1217 340/573.1
2017/0129638	A1 *	5/2017	Green	B65D 1/0223
2017/0165694	A1 *	6/2017	Okude	B65D 77/06

* cited by examiner

FIG. 1

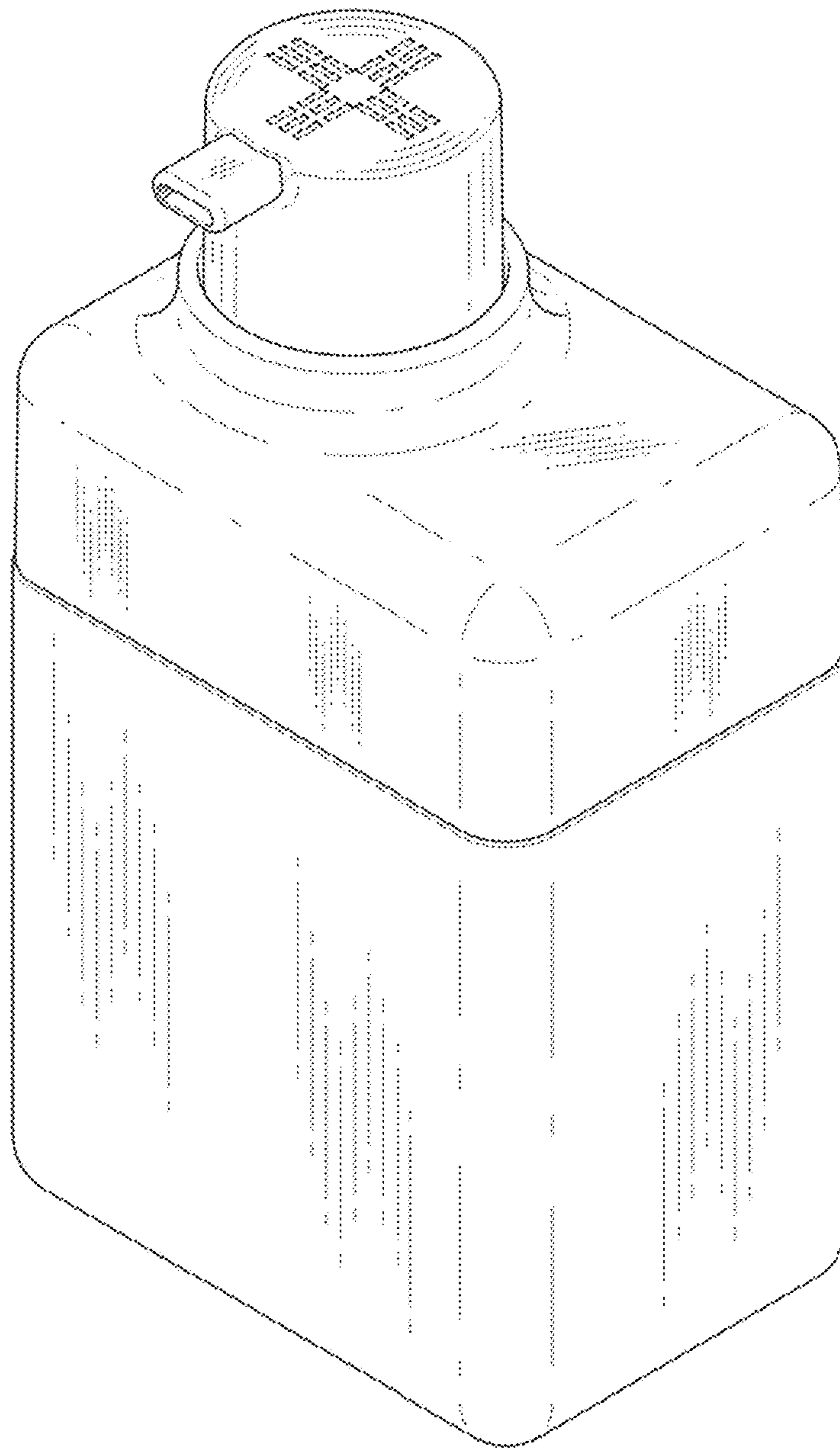


FIG. 2

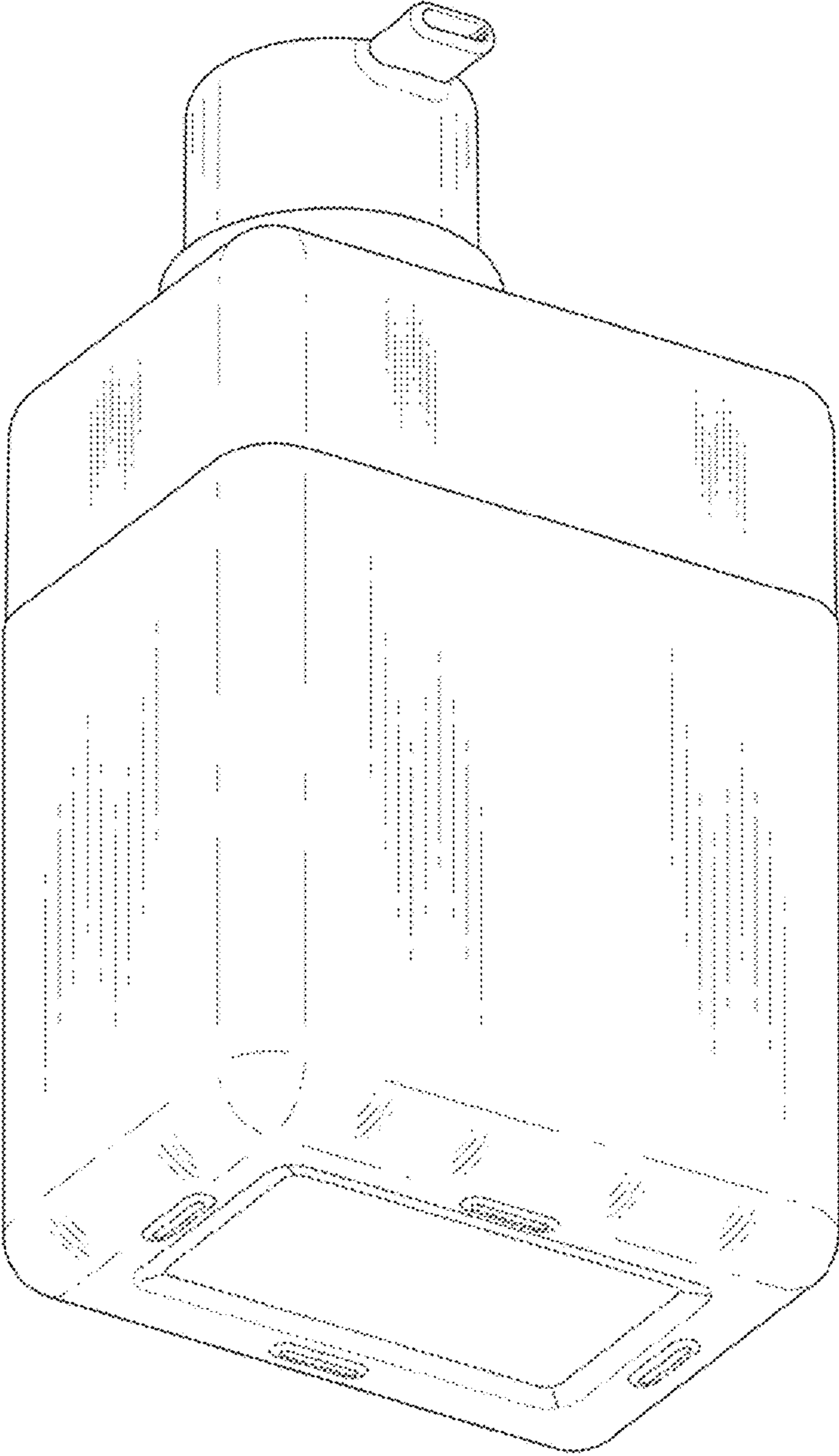


FIG. 3

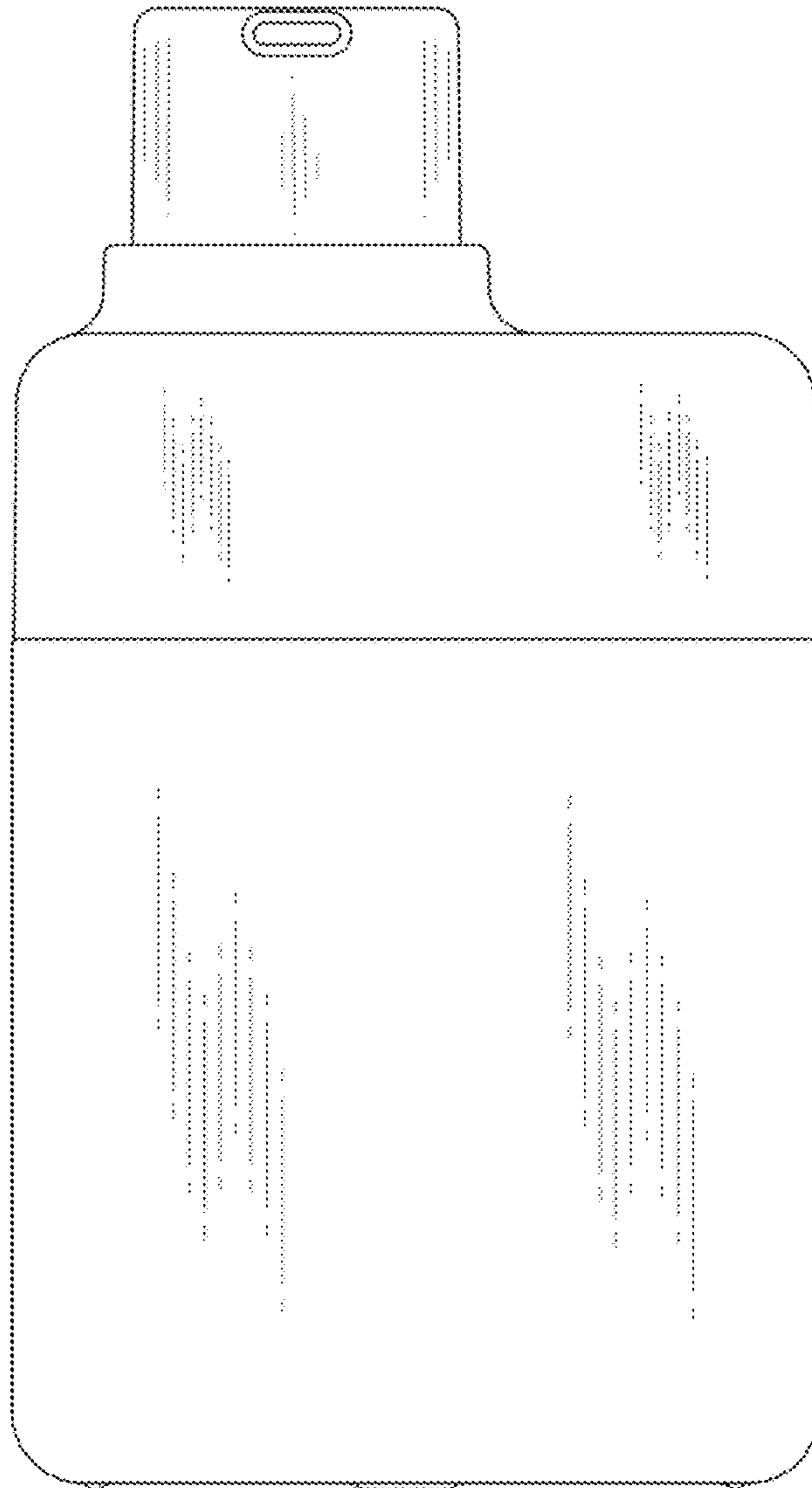


FIG. 4

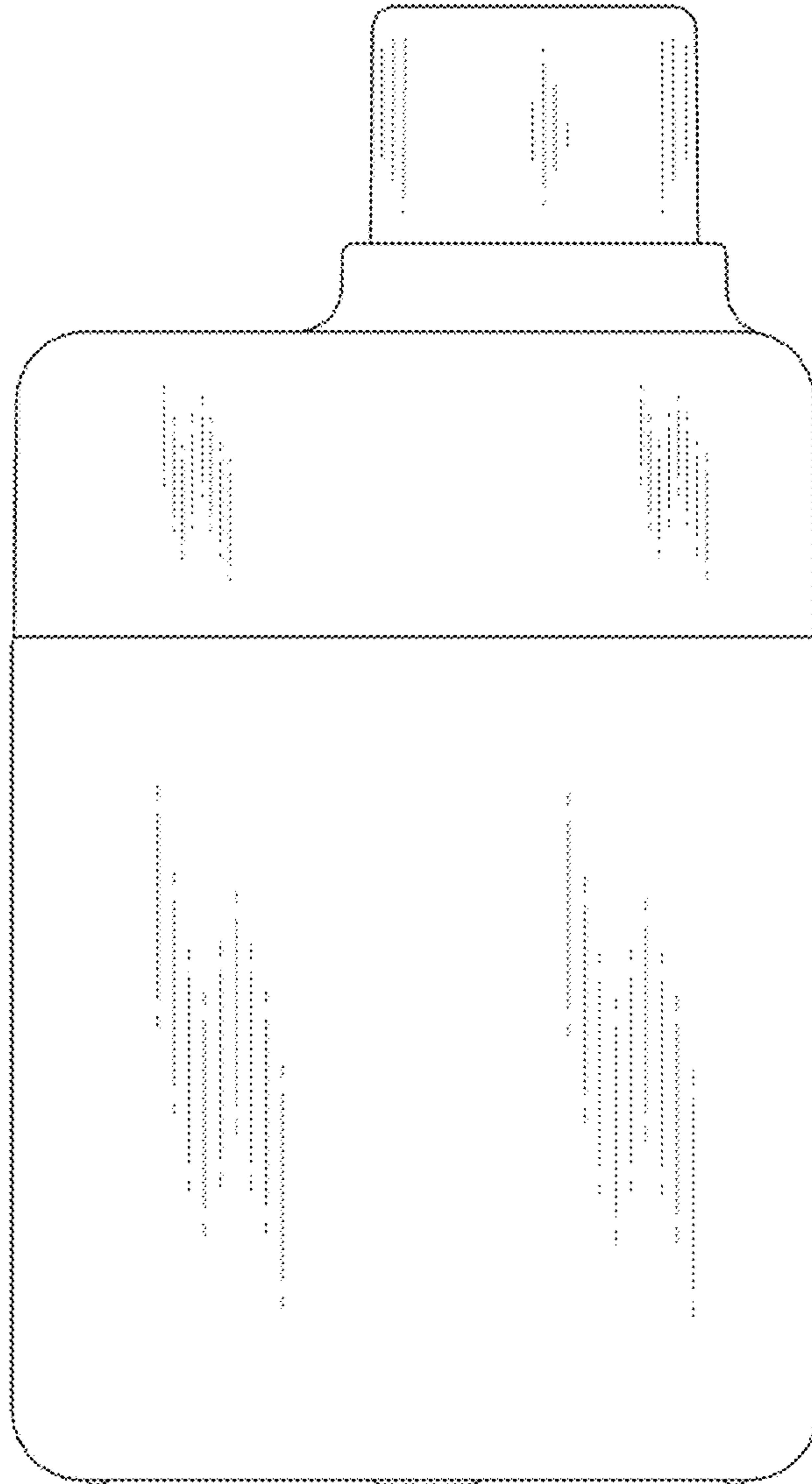


FIG. 5

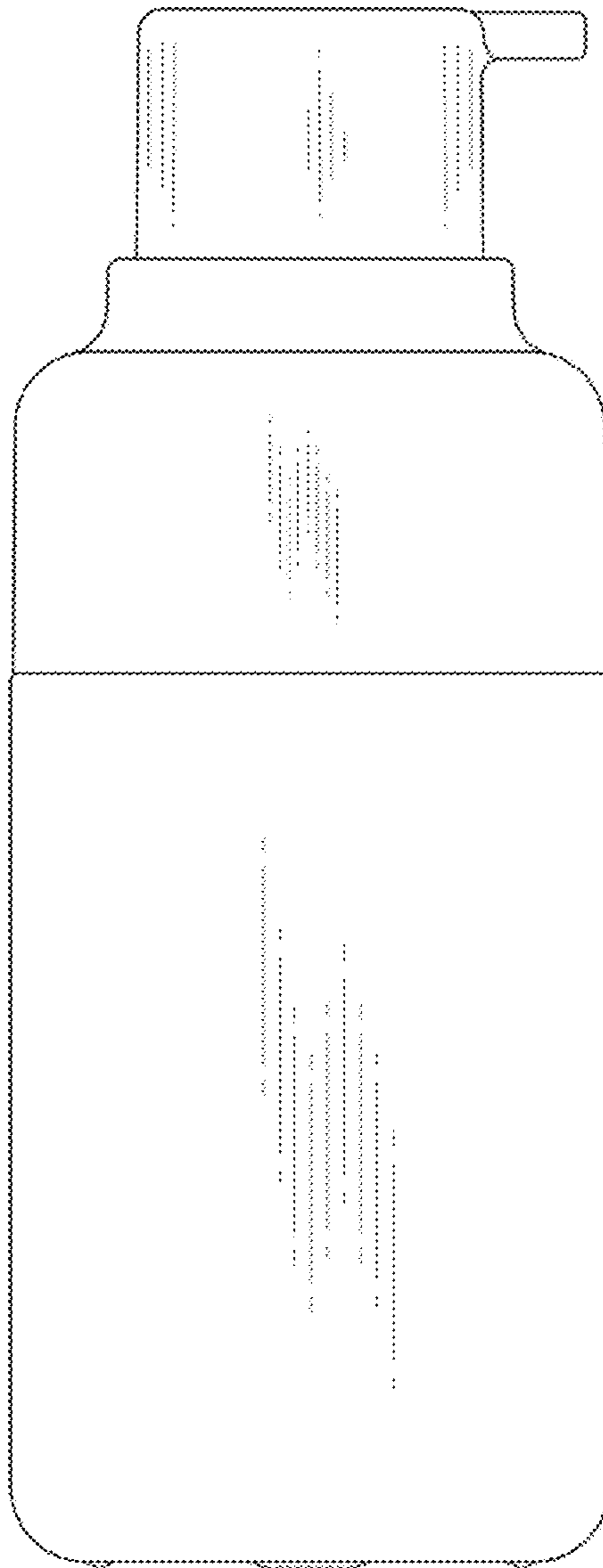


FIG. 6

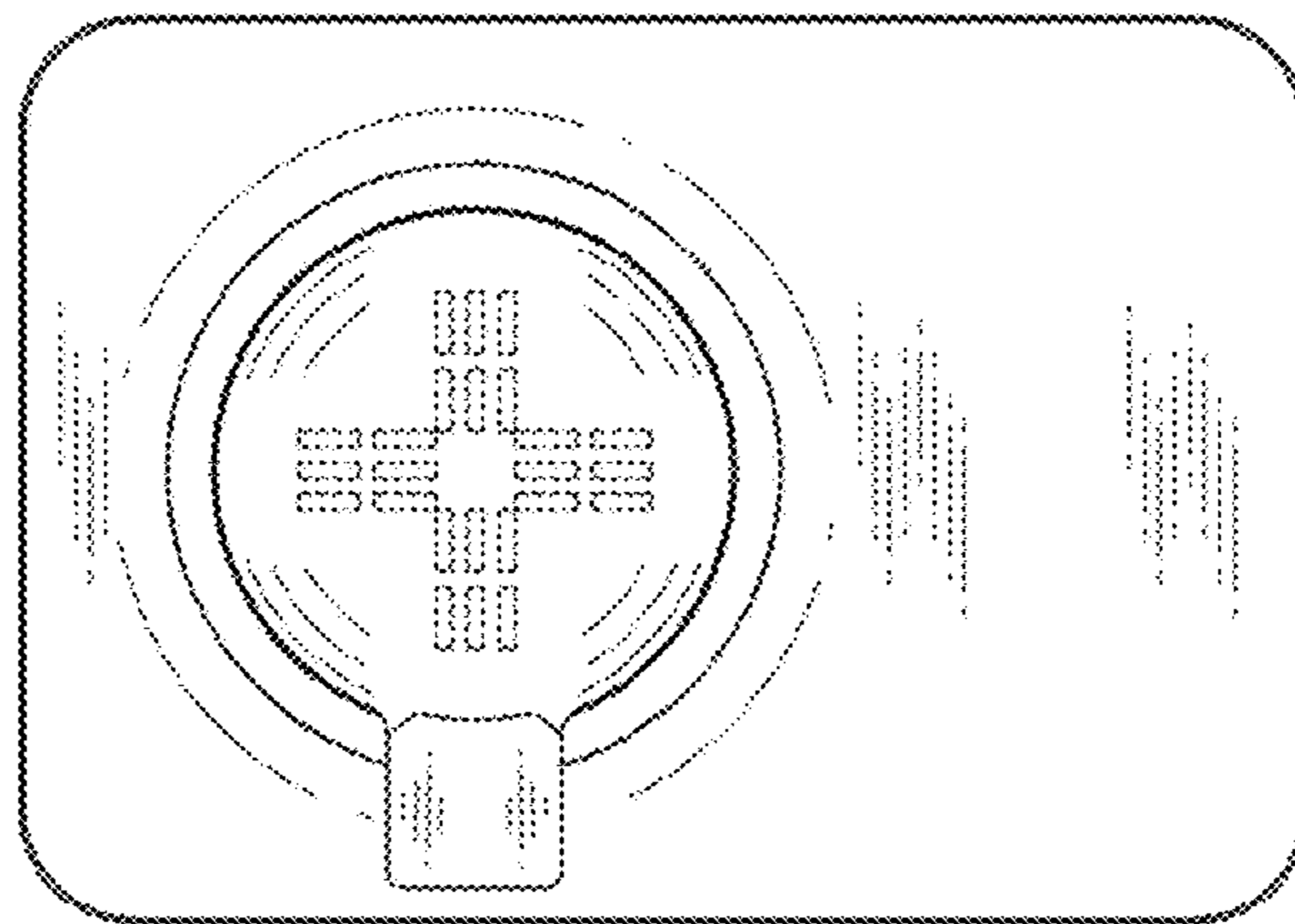


FIG. 7

