



US00D842116S

(12) **United States Design Patent**
Mellen

(10) **Patent No.:** **US D842,116 S**

(45) **Date of Patent:** **** Mar. 5, 2019**

(54) **PREFORM WITH ERGONOMIC HANDLE**

(71) Applicant: **INTEGRATED PLASTICS PTY LTD**, Villawood, NSW (AU)

(72) Inventor: **Nick Mellen**, Mosman (AU)

(73) Assignee: **INTEGRATED PLASTICS PTY LTD**, Villawood, NSW (AU)

(**) Term: **15 Years**

(21) Appl. No.: **29/580,039**

(22) Filed: **Oct. 5, 2016**

(30) **Foreign Application Priority Data**

Apr. 5, 2016 (AU) 201611872

(51) **LOC (11) Cl.** **09-01**

(52) **U.S. Cl.**
USPC **D9/531**

(58) **Field of Classification Search**
USPC D9/516, 519, 520, 521, 527, 528, 529,
D9/530, 531, 533, 540, 542, 544, 550,
D9/553, 556, 557, 558, 559, 563, 564,
D9/565, 566, 567, 545, 536, 537, 538,
D9/539, 541, 543, 522; D3/202, 203.1,
D3/205; D4/114; D6/515, 542; D7/300,
D7/300.1, 598

CPC B65D 2501/0009; B65D 2501/00; B65D
23/00; B65D 1/0223; B65D 1/00; B65D
1/02

See application file for complete search history.

(56) **References Cited**

U.S. PATENT DOCUMENTS

D246,467 S * 11/1977 Kurata D24/224
D246,600 S * 12/1977 Kurata D24/224
D255,654 S * 7/1980 Goss D9/529
D256,053 S * 7/1980 Steigerwald D24/224

4,311,246 A * 1/1982 Saito B29C 49/0073
215/398
4,693,375 A * 9/1987 Schweers B07C 5/02
209/532
D318,728 S * 7/1991 Braune D24/224
D342,028 S * 12/1993 Stenger D24/224
D458,846 S * 6/2002 Writt, Sr. D9/517
6,789,689 B1 * 9/2004 Beale B29B 11/08
215/398
6,896,943 B1 * 5/2005 Beale B29C 49/0073
428/36.9
D633,392 S * 3/2011 Northrop D9/499
D644,536 S * 9/2011 Witz D9/499
D664,165 S * 7/2012 Witz D15/136

(Continued)

OTHER PUBLICATIONS

China Hot Sale 5 Liters Plastic Water Bottle Preform, [online], [site visited Feb. 12, 2018]. Available from Internet, URL:https://pmgmachine.en.made-in-china.com/product/TCrnFvWVgEct/China-Hot-Sale-5-Liters-Plastic-Water-Bottle-Preform-Price.html.*

Primary Examiner — Cathron C Brooks

Assistant Examiner — Katrina N Gonzalez

(74) *Attorney, Agent, or Firm* — Ladas & Parry LLP

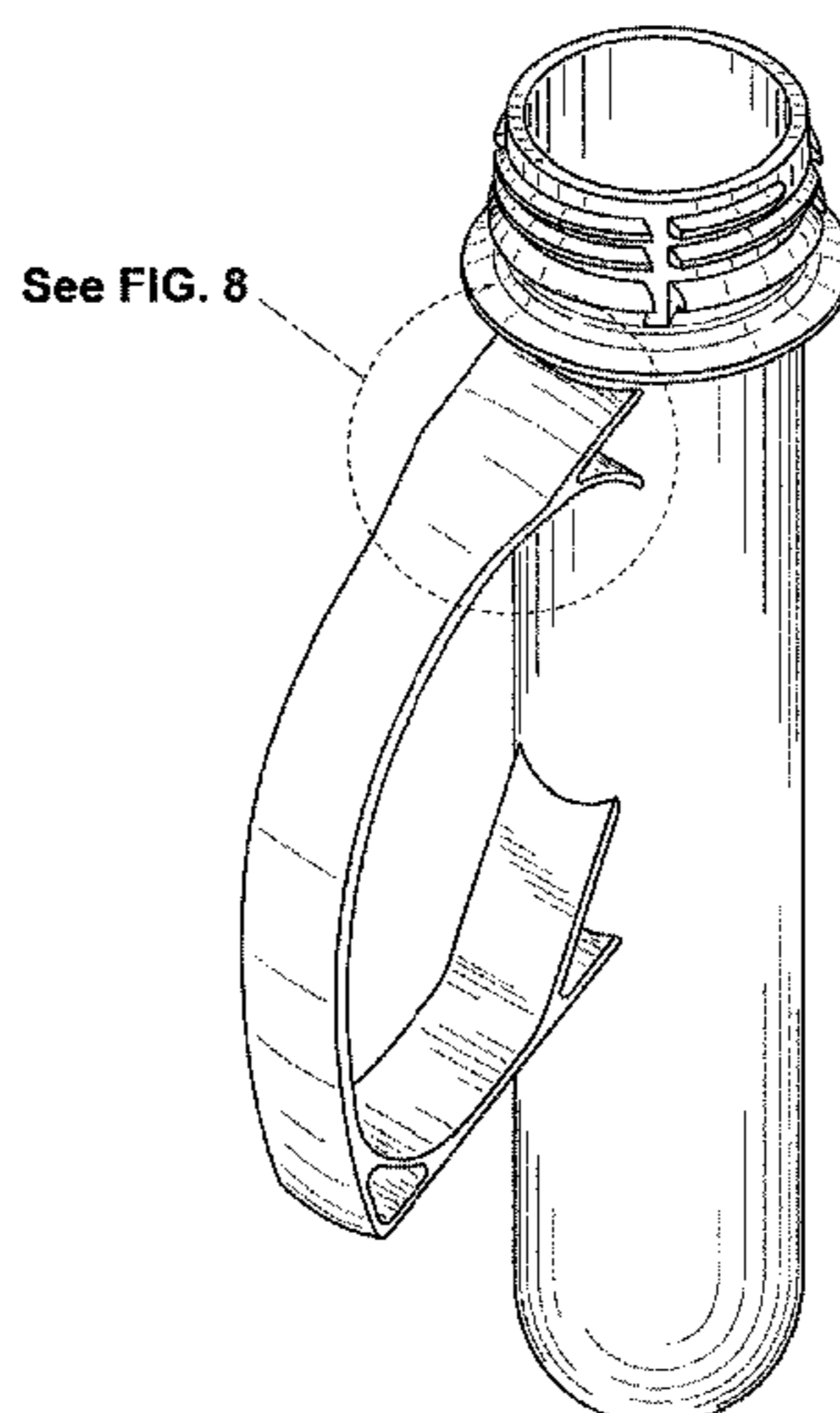
(57) **CLAIM**

I claim the ornamental design for a preform with ergonomic handle, as shown.

DESCRIPTION

FIG. 1 is a perspective view showing my new design for a preform with ergonomic handle;
FIG. 2 is a front view thereof;
FIG. 3 is rear view thereof;
FIG. 4 is a right side view thereof;
FIG. 5 is a left side view thereof;
FIG. 6 is a top view thereof; and
FIG. 7 is a bottom view thereof; and,
FIG. 8 is an enlarged partial detail view of FIG. 1, showing a portion of the ergonomic handle for clarity of illustration.

1 Claim, 5 Drawing Sheets



(56)

References Cited

U.S. PATENT DOCUMENTS

D677,989 S * 3/2013 Fraser D7/523
D694,111 S * 11/2013 Porter G01F 11/286
D9/499
D702,743 S * 4/2014 Witz D15/136
8,807,986 B2 8/2014 Beale
D746,142 S * 12/2015 Thibodeau D9/499
D749,420 S * 2/2016 Kahlau D9/420
D760,490 S * 7/2016 Johnson D24/224
D801,814 S * 11/2017 Liu D9/502

* cited by examiner

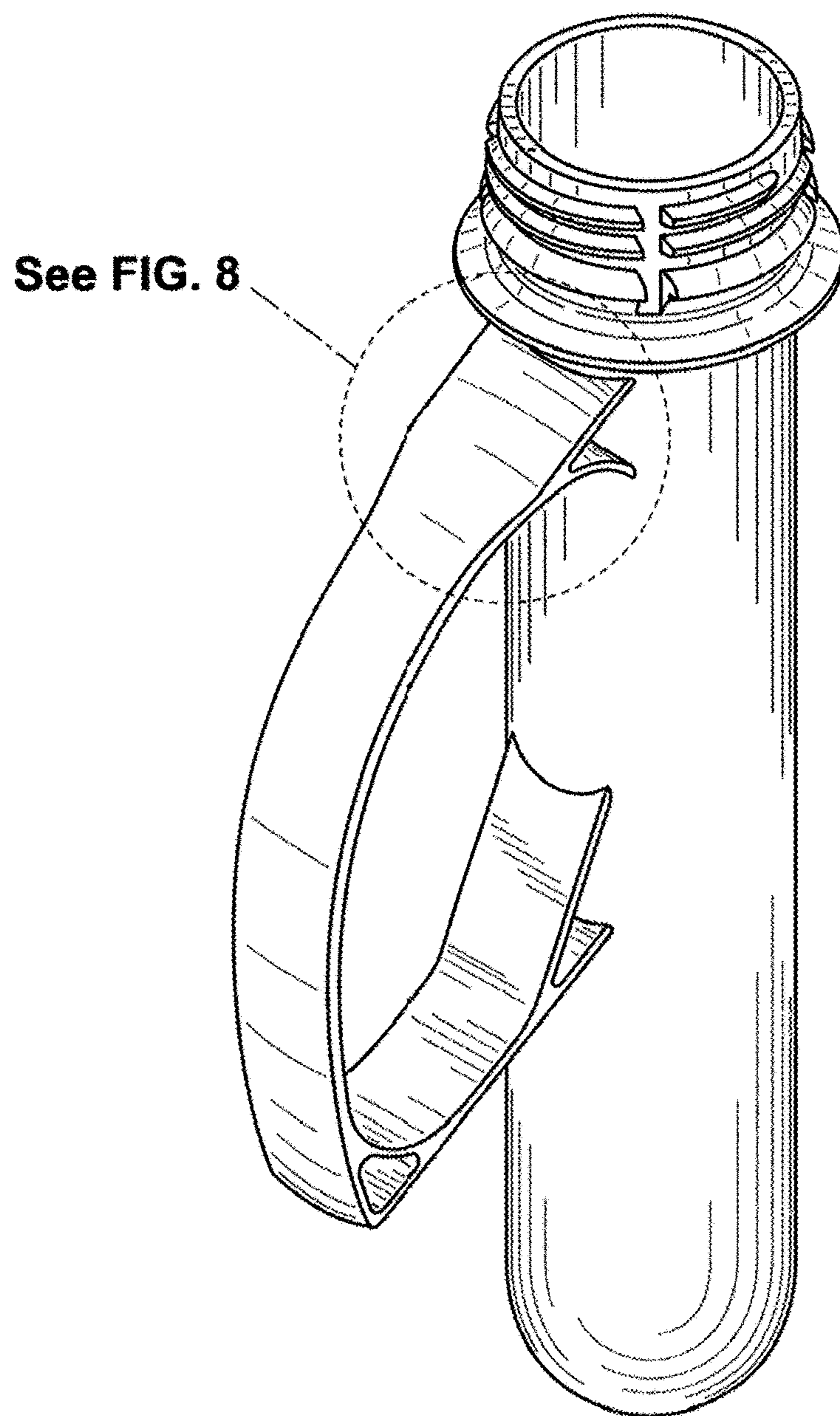


FIG. 1

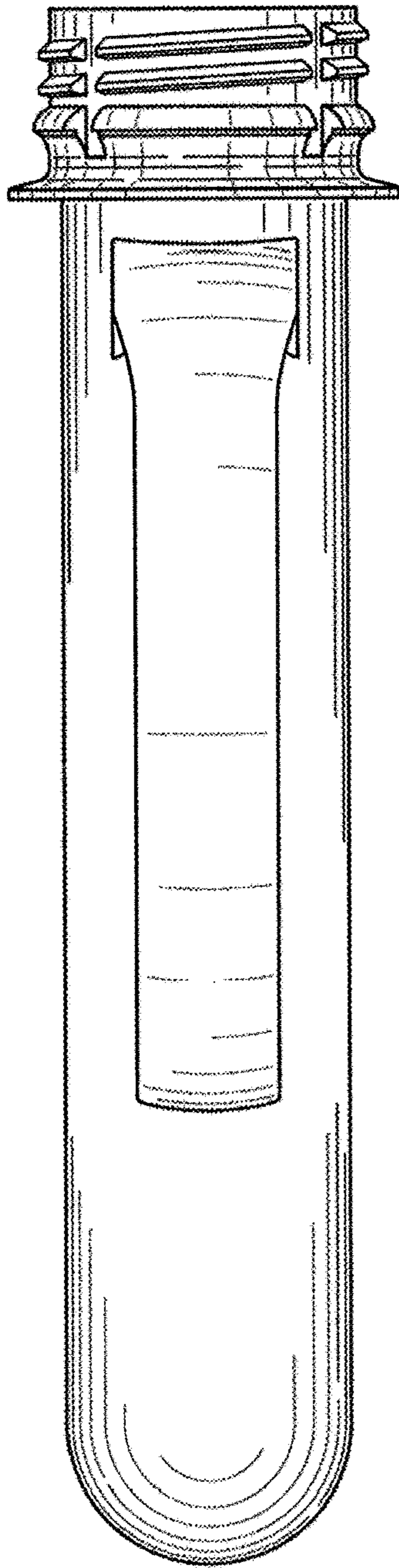


FIG. 2

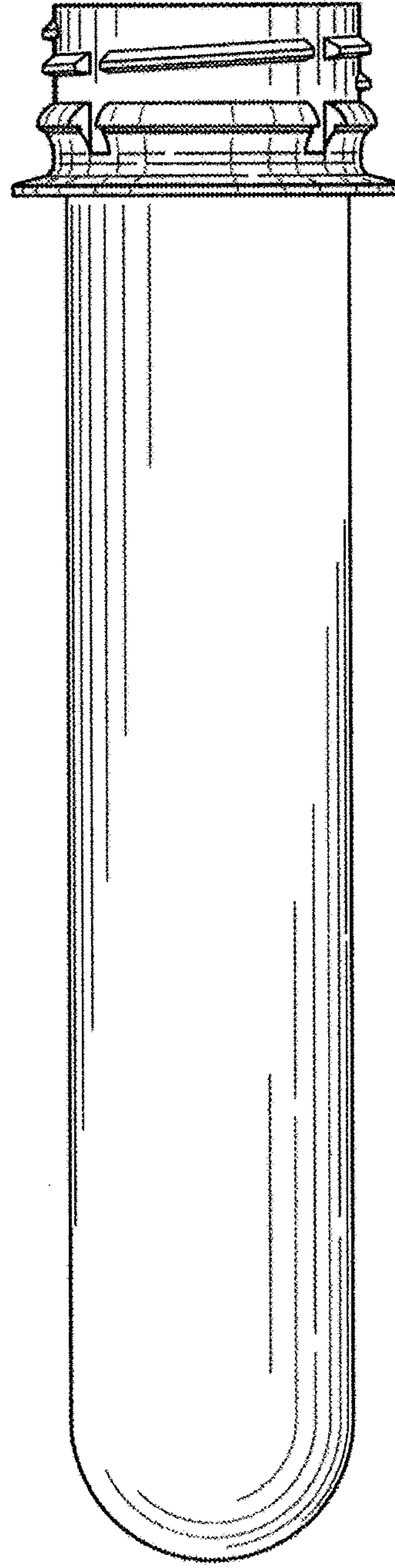


FIG. 3

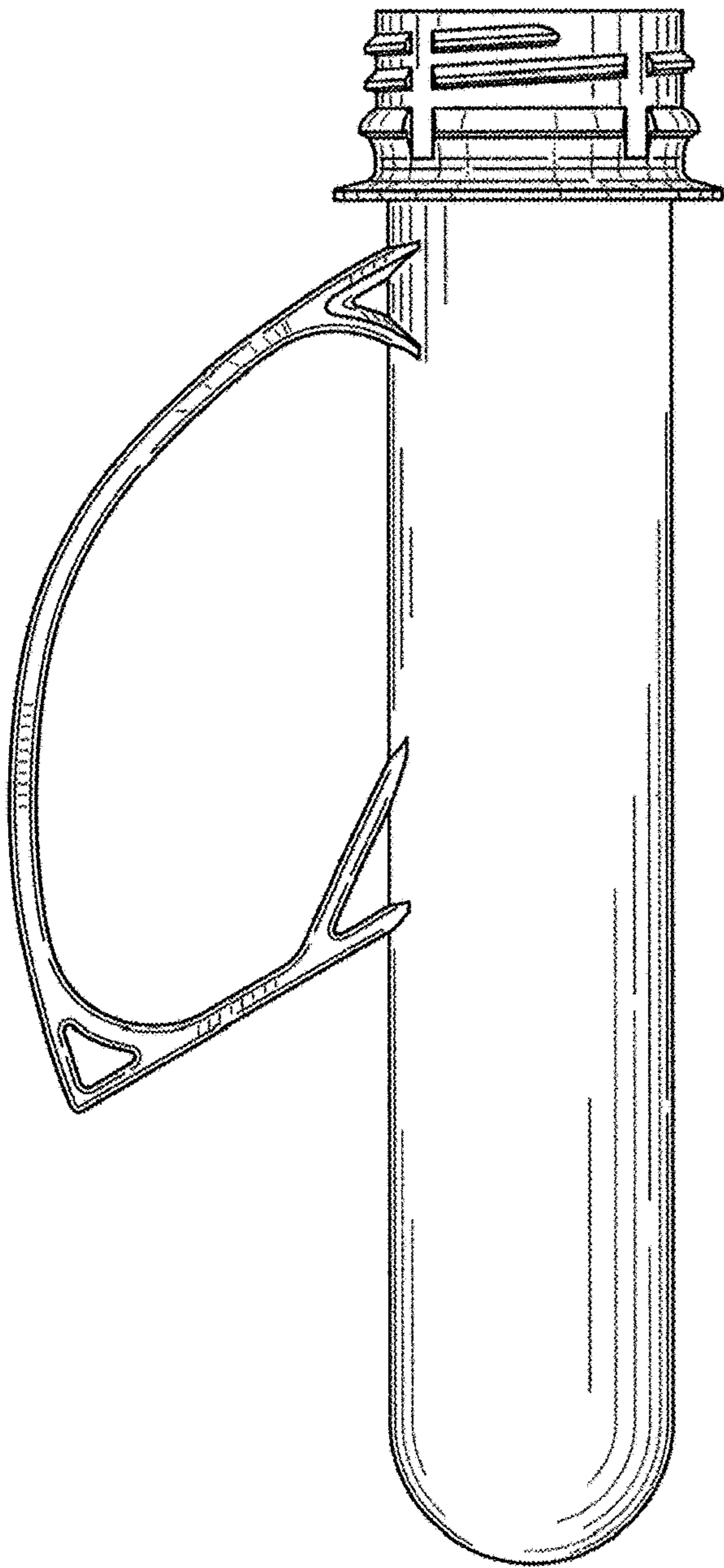


FIG. 4

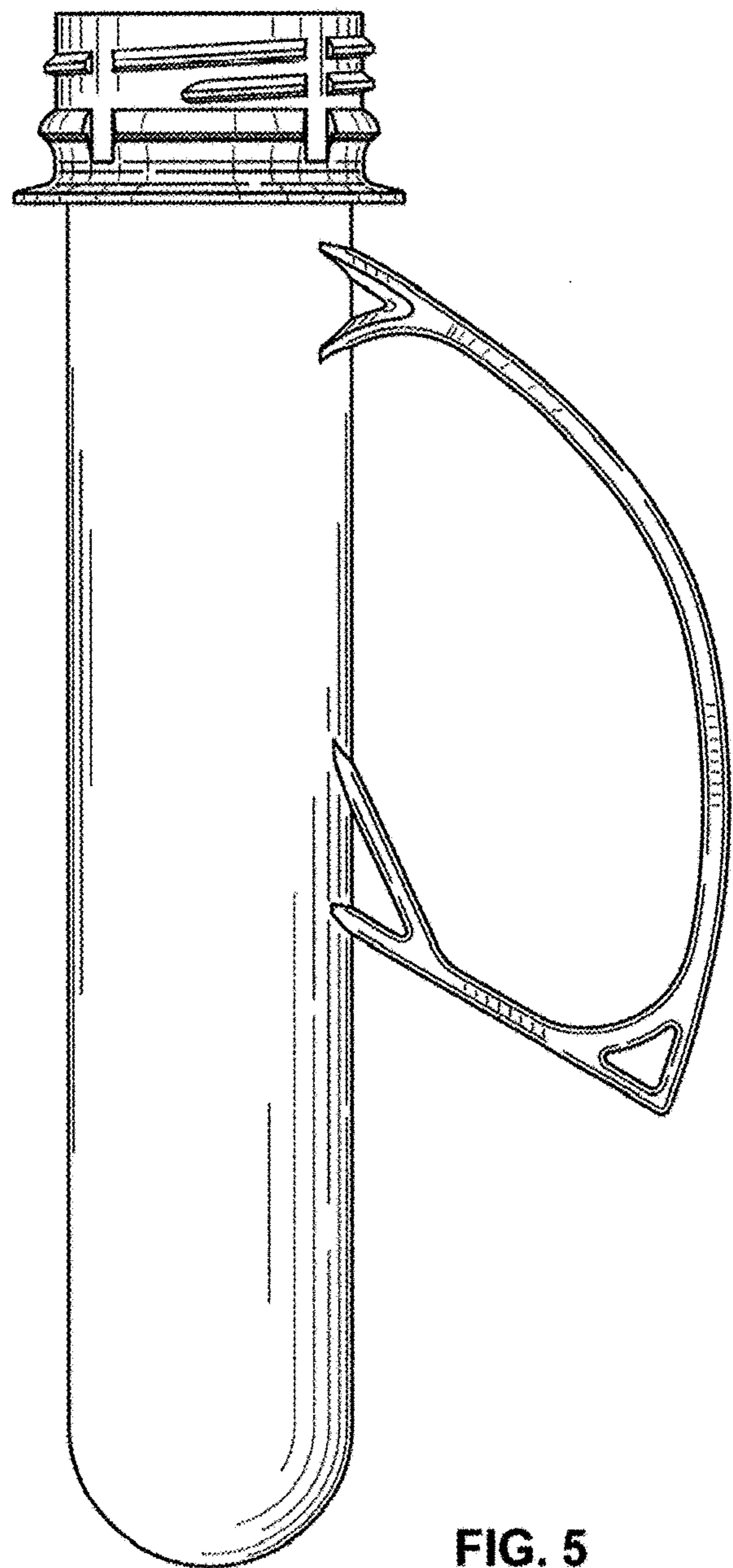


FIG. 5

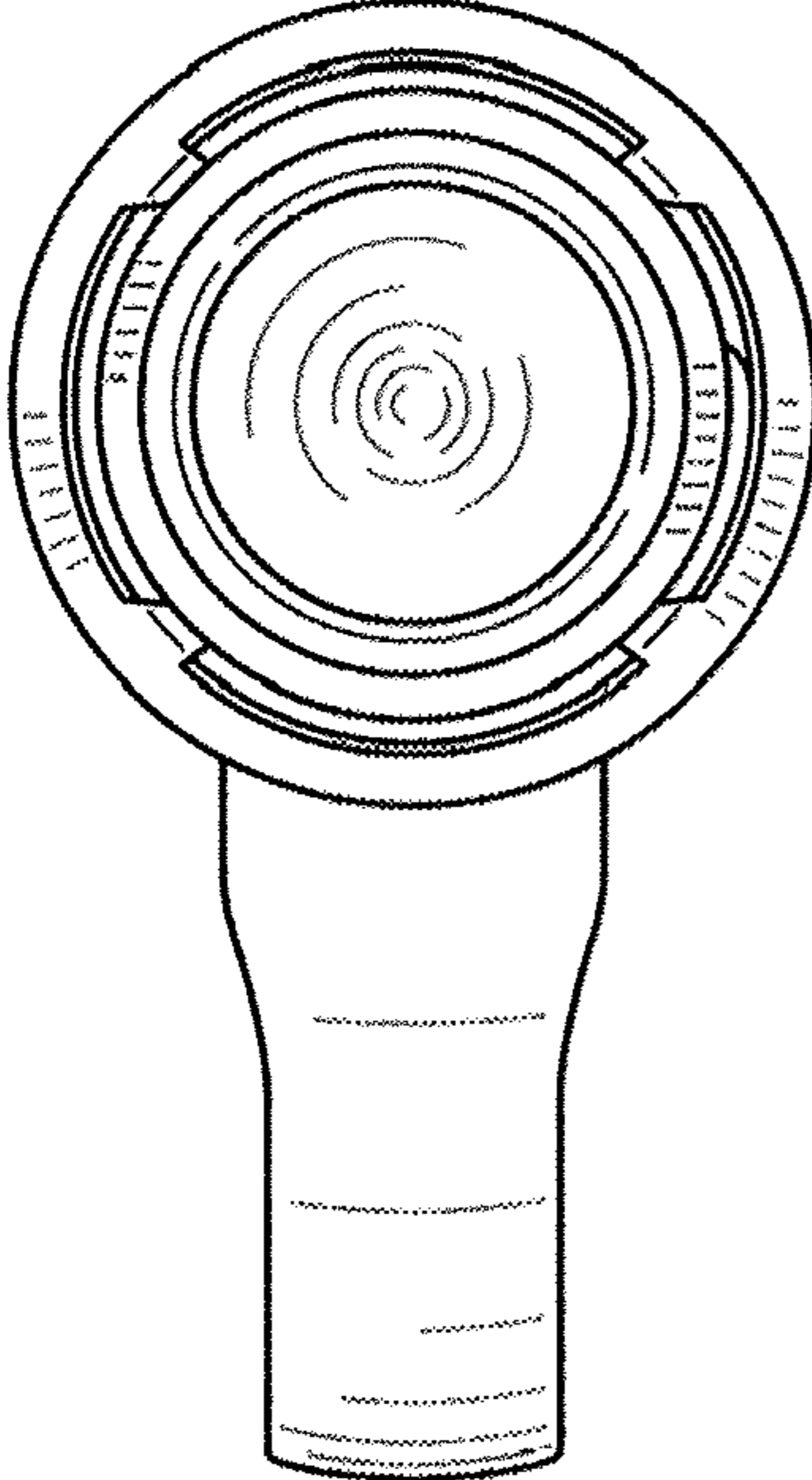


FIG. 6

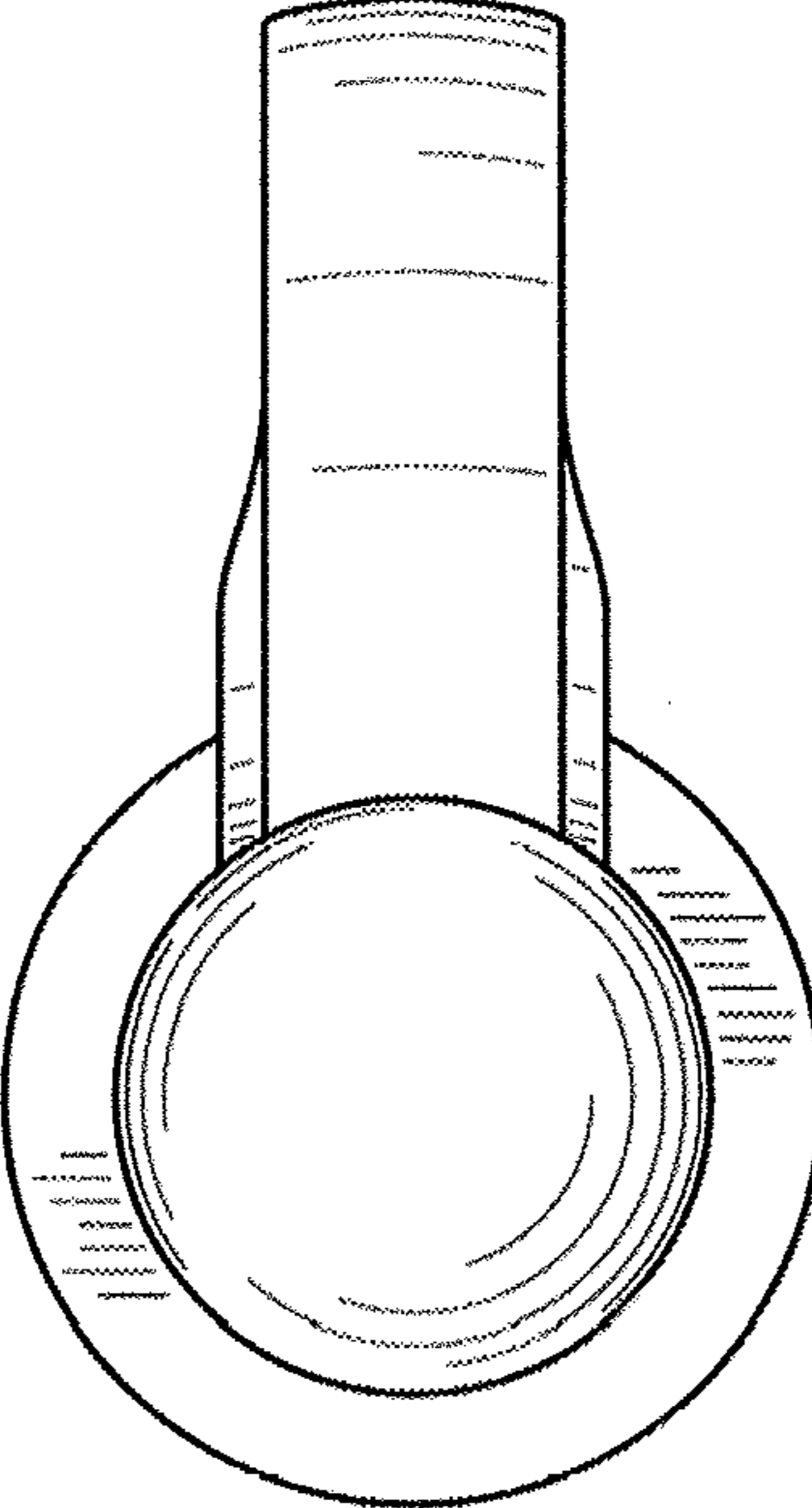


FIG. 7

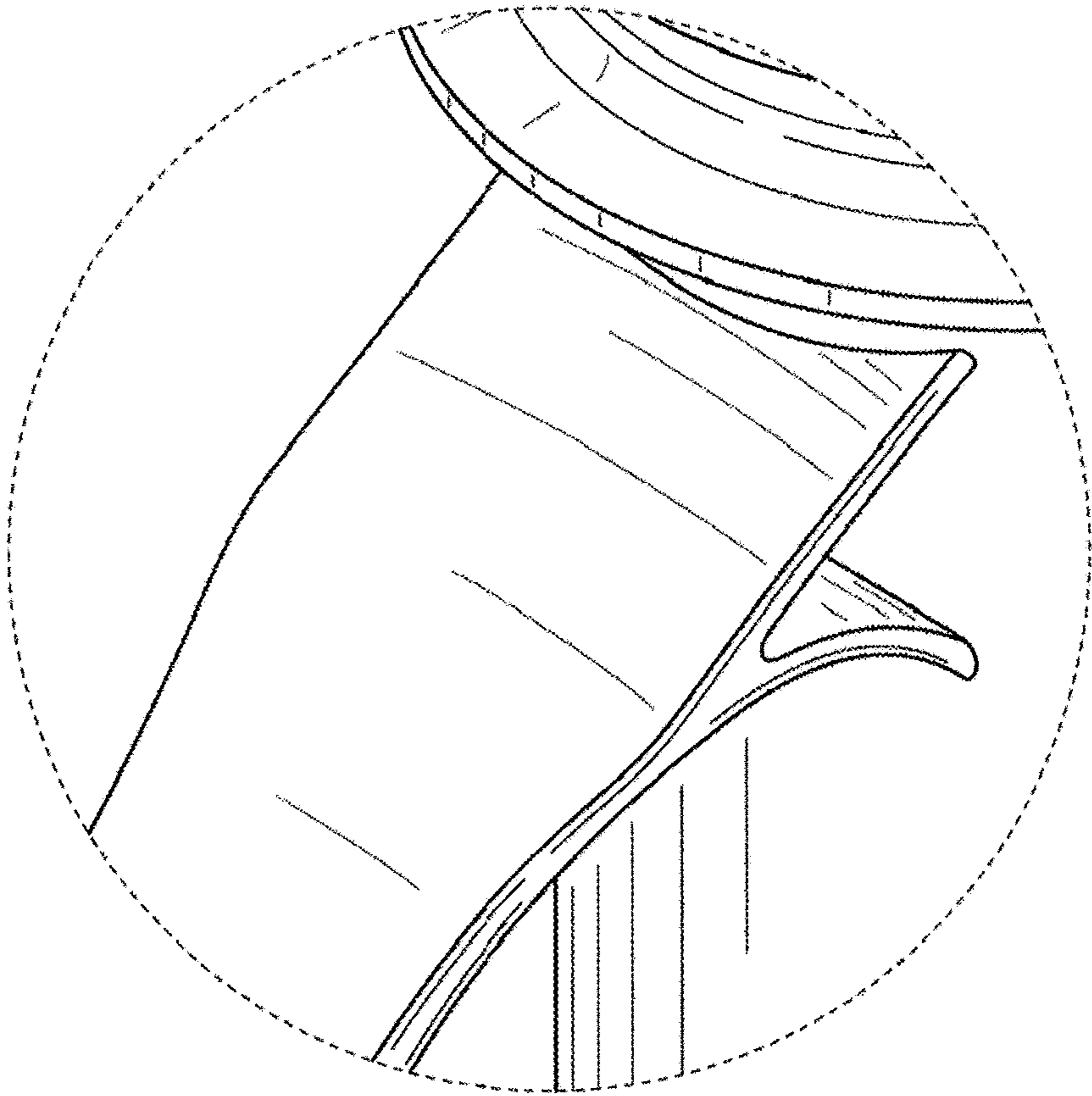


FIG. 8