



US00D842115S

(12) **United States Design Patent**
Staab et al.

(10) **Patent No.:** **US D842,115 S**
(45) **Date of Patent:** **** Mar. 5, 2019**

- (54) **BOTTLE**
- (71) Applicant: **Mary Kay Inc.**, Addison, TX (US)
- (72) Inventors: **Jenny DeMarco Staab**, Frisco, TX (US); **Tammy Schriewer**, Addison, TX (US)
- (73) Assignee: **Mary Kay Inc.**, Addison, TX (US)
- (**) Term: **15 Years**
- (21) Appl. No.: **29/655,903**
- (22) Filed: **Jul. 9, 2018**

- D220,870 S 6/1971 Muscatiello
- D221,835 S 9/1971 Higgs
- D223,602 S 5/1972 Hoffman
- D236,586 S 9/1975 McDonald
- D236,802 S 9/1975 McDonald
- D252,739 S 8/1979 Grodin
- D253,221 S 10/1979 Flower et al.
- D279,454 S 7/1985 Fleming
- D294,804 S 3/1988 Lunderman et al.
- D302,385 S 7/1989 Weiler
- D305,617 S 1/1990 Hayman et al.
- D306,693 S 3/1990 Beier-Rosetti
- D315,296 S 3/1991 De Giovellina
- D317,406 S * 6/1991 Desgrippes D9/529
- D330,218 S 10/1992 Kimura
- D337,523 S 7/1993 Dadds et al.

(Continued)

Related U.S. Application Data

- (62) Division of application No. 29/605,730, filed on May 30, 2017, now Pat. No. Des. 825,341.
- (51) **LOC (11) Cl.** **09-01**
- (52) **U.S. Cl.**
USPC **D9/529**; D9/445; D9/574
- (58) **Field of Classification Search**
USPC D9/434-435, 444-445, 516, 520, 529,
D9/573-574, 682, 686-687, 694, 715,
D9/719
CPC B65D 1/00; B65D 1/02; B65D 1/0223;
B65D 23/00; B65D 81/00; B65D
2501/00; B65D 2501/0009; B65D
2501/0081
See application file for complete search history.

(56) **References Cited**

U.S. PATENT DOCUMENTS

- D44,881 S * 11/1913 Alexander et al. D9/560
- D86,841 S 4/1932 Joseph
- D207,511 S 4/1967 Riordan et al.
- D208,733 S 9/1967 Straka
- D213,543 S 3/1969 Livingston

FOREIGN PATENT DOCUMENTS

- CN 303463788 11/2015
- CN 303475993 12/2015

(Continued)

Primary Examiner — Dana Meyrow

(74) *Attorney, Agent, or Firm* — Norton Rose Fulbright US LLP

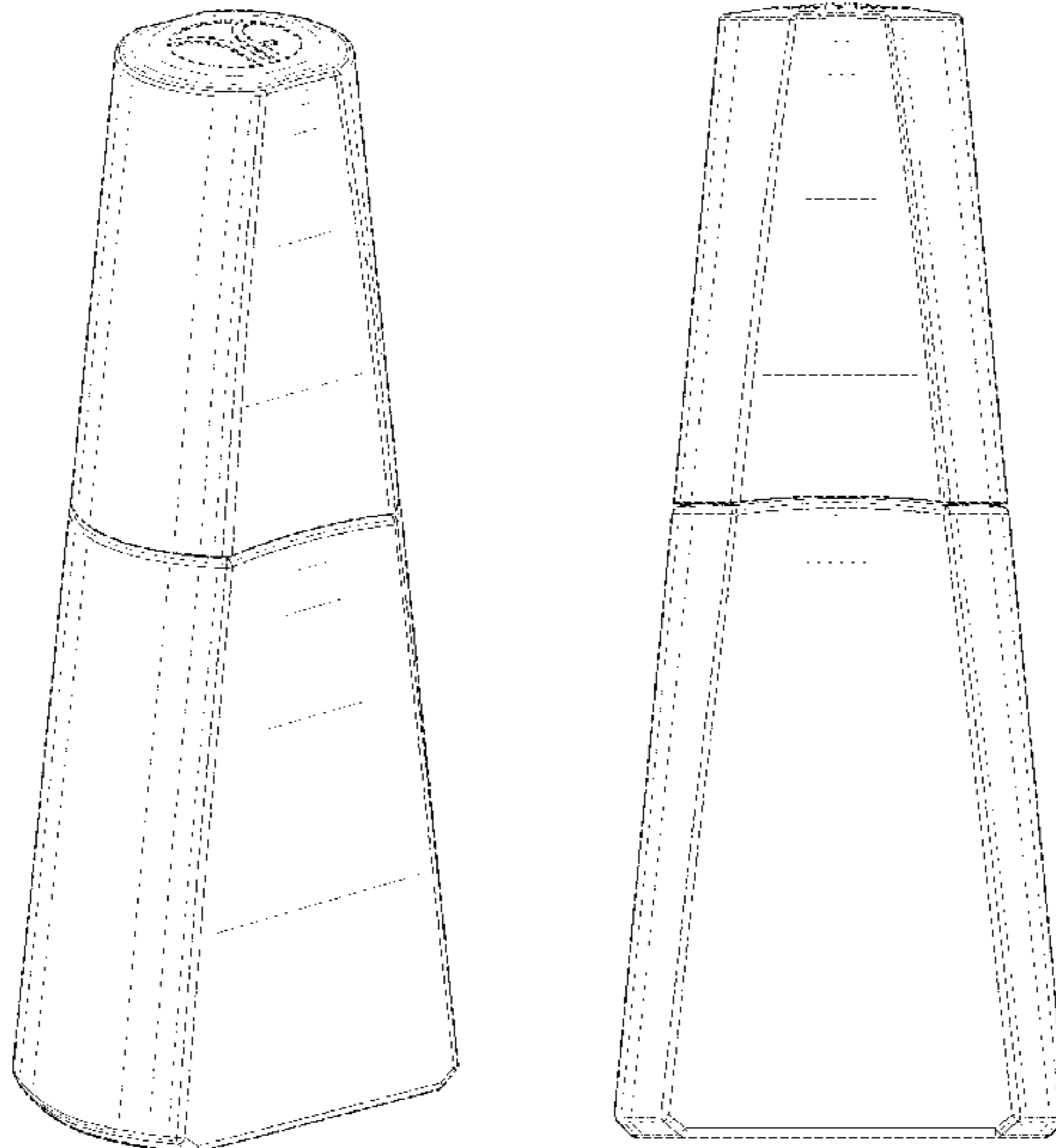
(57) **CLAIM**

The ornamental design for a bottle, as shown and described.

DESCRIPTION

FIG. 1 is a top perspective view of a bottle;
 FIG. 2 is a front view of the bottle shown in FIG. 1;
 FIG. 3 is a back view of the bottle shown in FIG. 1;
 FIG. 4 is a right side view of the bottle shown in FIG. 1;
 FIG. 5 is a left side view of the bottle shown in FIG. 1; and,
 FIG. 6 is a top view of the bottle shown in FIG. 1.
 The dashed lines in FIGS. 1-6 are included for the purpose of illustrating portions of bottle that form no part of the claimed design.

1 Claim, 6 Drawing Sheets



(56)

References Cited

U.S. PATENT DOCUMENTS

| | | | |
|--------------|---------|----------------|--------|
| D412,851 S | 8/1999 | Nosella | |
| D413,796 S | 9/1999 | Mansau | |
| D428,578 S | 7/2000 | Waitzenegger | |
| D430,804 S | 9/2000 | Bulsink | |
| D497,314 S | 10/2004 | Dea | |
| D541,164 S * | 4/2007 | Yamasaki | D9/529 |
| D542,665 S | 5/2007 | Poe | |
| D567,664 S | 4/2008 | Rica | |
| D578,395 S | 10/2008 | Kuzma et al. | |
| D582,777 S | 12/2008 | Mansau | |
| D584,953 S | 1/2009 | Rica | |
| D621,268 S | 8/2010 | Morabito | |
| D623,066 S | 9/2010 | Mongeon et al. | |
| D626,003 S | 10/2010 | Pless | |
| D628,490 S * | 12/2010 | Sato | D9/435 |
| D631,751 S | 2/2011 | Fox et al. | |
| D669,360 S | 10/2012 | Kuzma et al. | |
| D721,967 S * | 2/2015 | DeMarco | D9/504 |
| D727,741 S | 4/2015 | Handy | |
| D739,739 S * | 9/2015 | DeMarco | D9/454 |
| D739,741 S * | 9/2015 | Staab | D9/454 |
| D740,121 S | 10/2015 | Wagner et al. | |
| D749,957 S * | 2/2016 | Ishida | D9/452 |
| D755,057 S | 5/2016 | Mutter | |
| D795,074 S * | 8/2017 | Staab | D9/454 |
| D795,075 S * | 8/2017 | Staab | D9/451 |
| D798,159 S | 9/2017 | Shaw | |
| D825,341 S * | 8/2018 | Staab | D9/529 |

FOREIGN PATENT DOCUMENTS

| | | |
|----|---------------|---------|
| CN | 303488921 | 12/2015 |
| KR | 3020020011391 | 9/2002 |
| KR | 3020050032100 | 12/2006 |

* cited by examiner

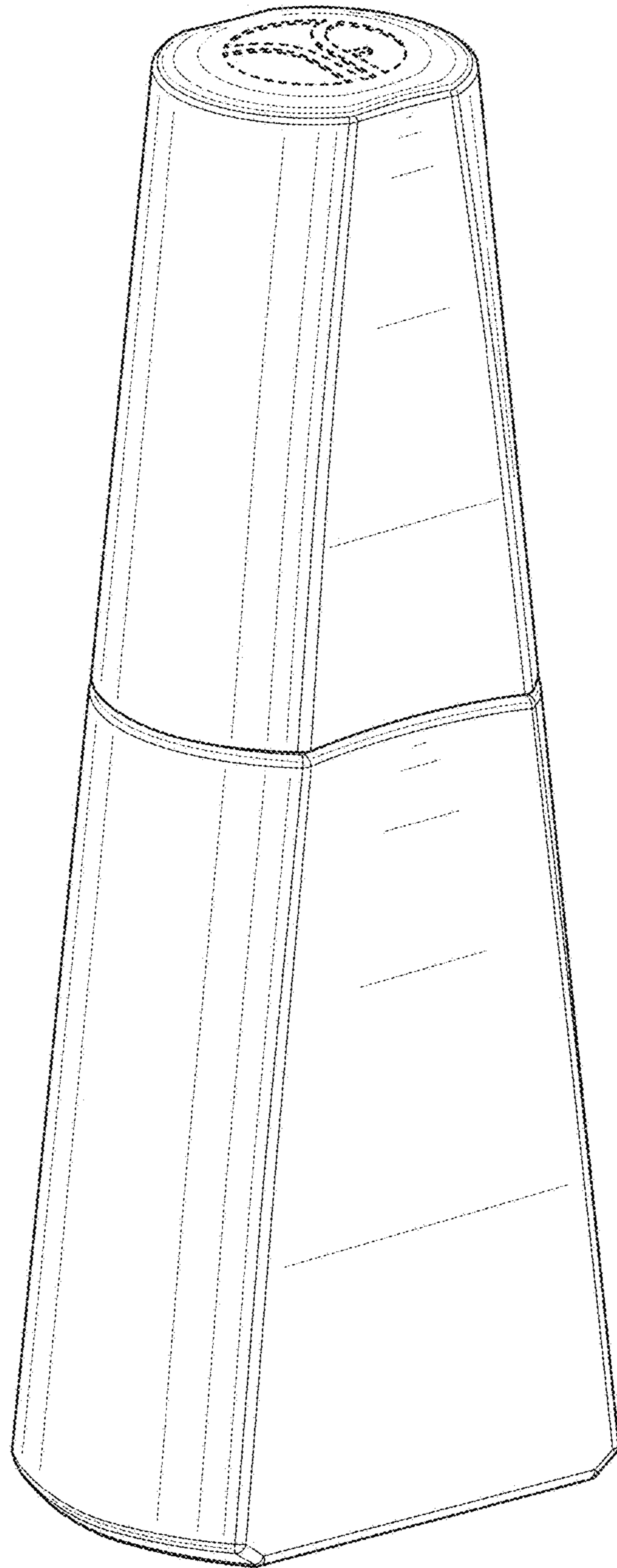


FIG. 1

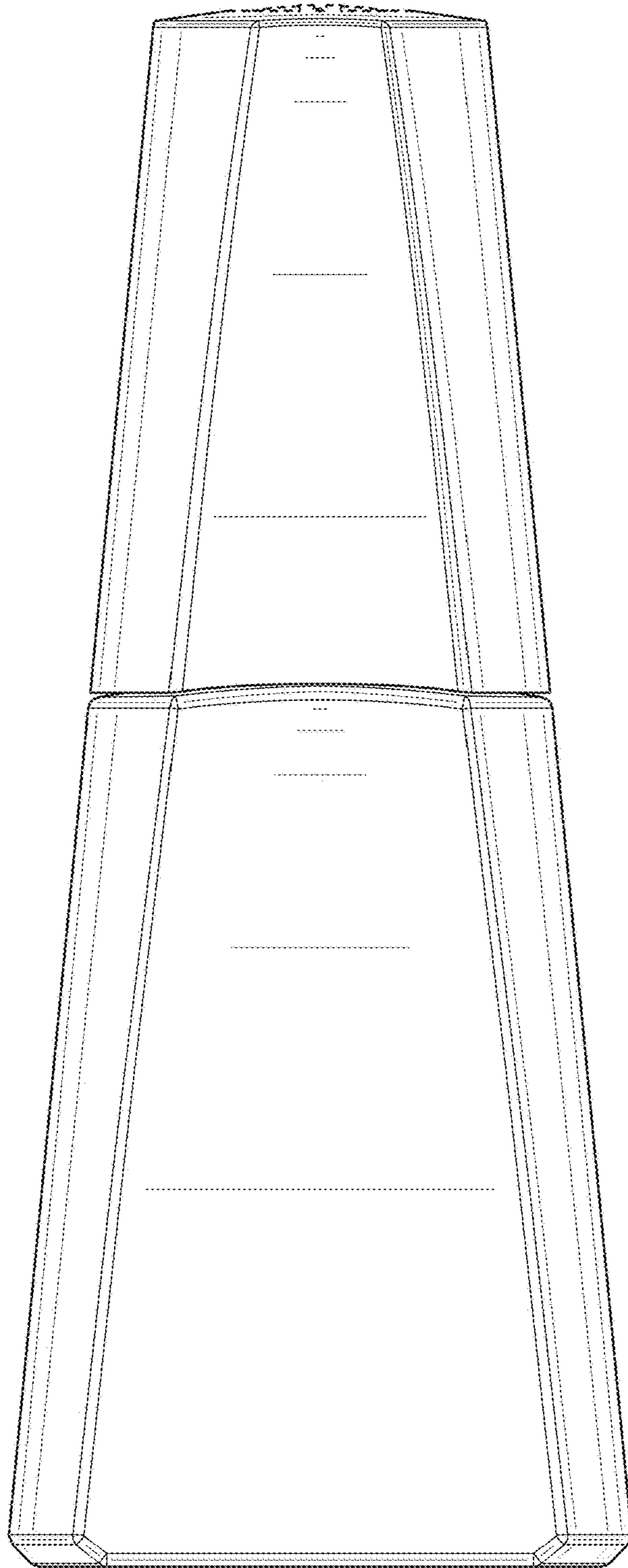


FIG. 2

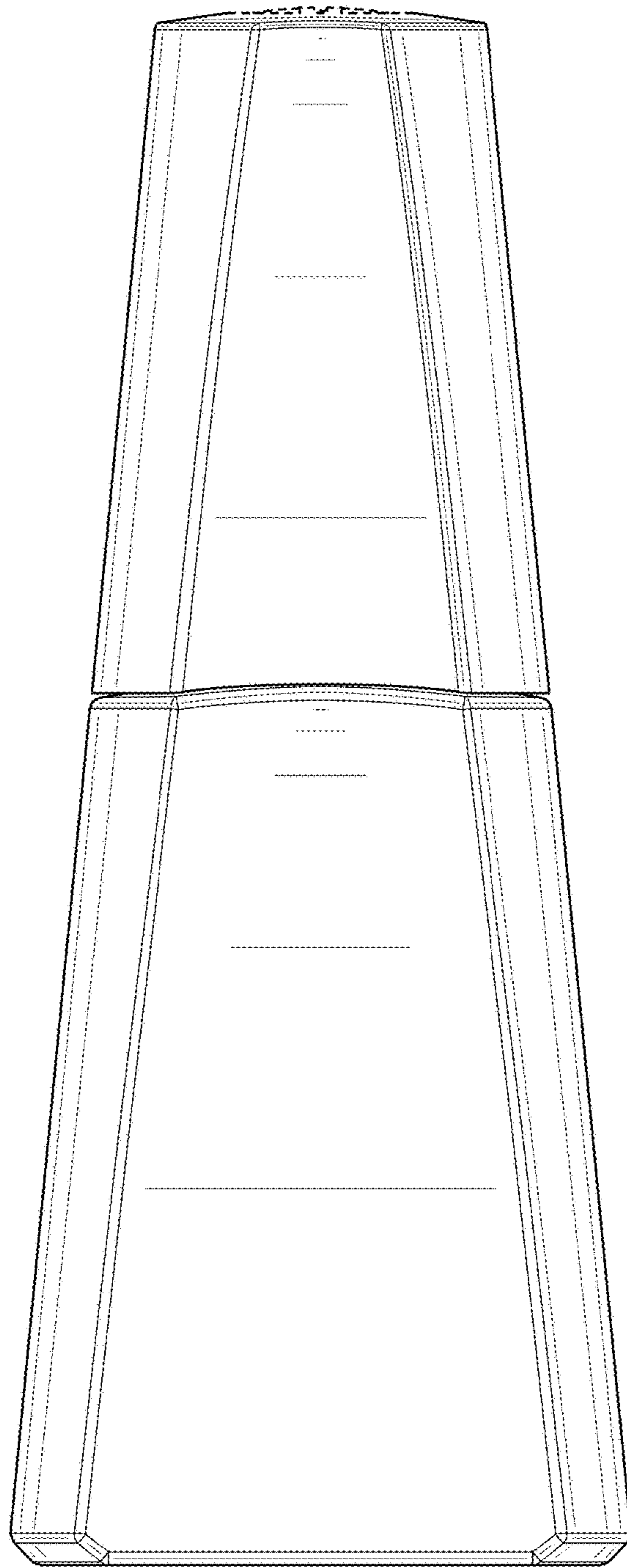


FIG. 3

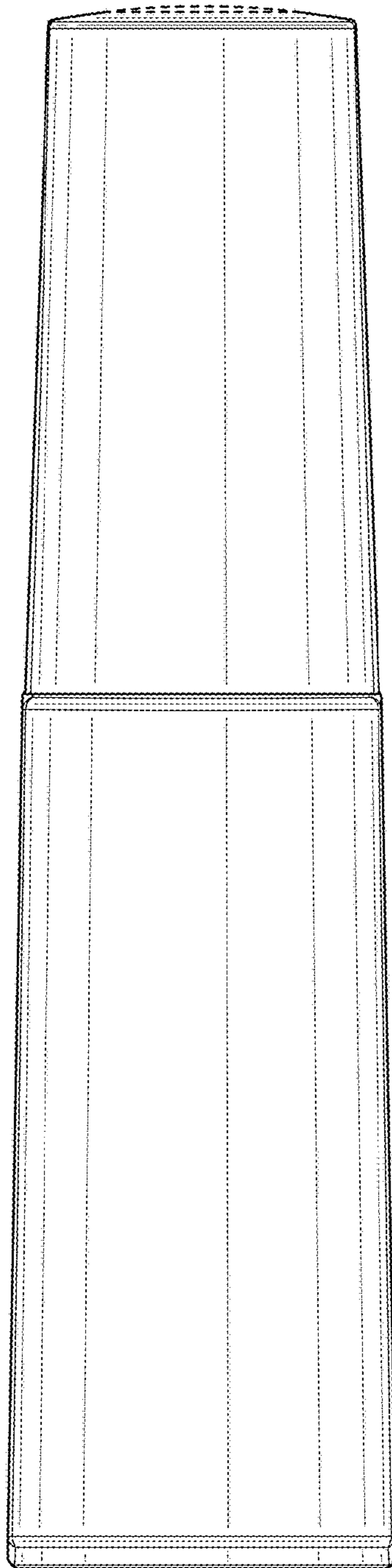


FIG. 4

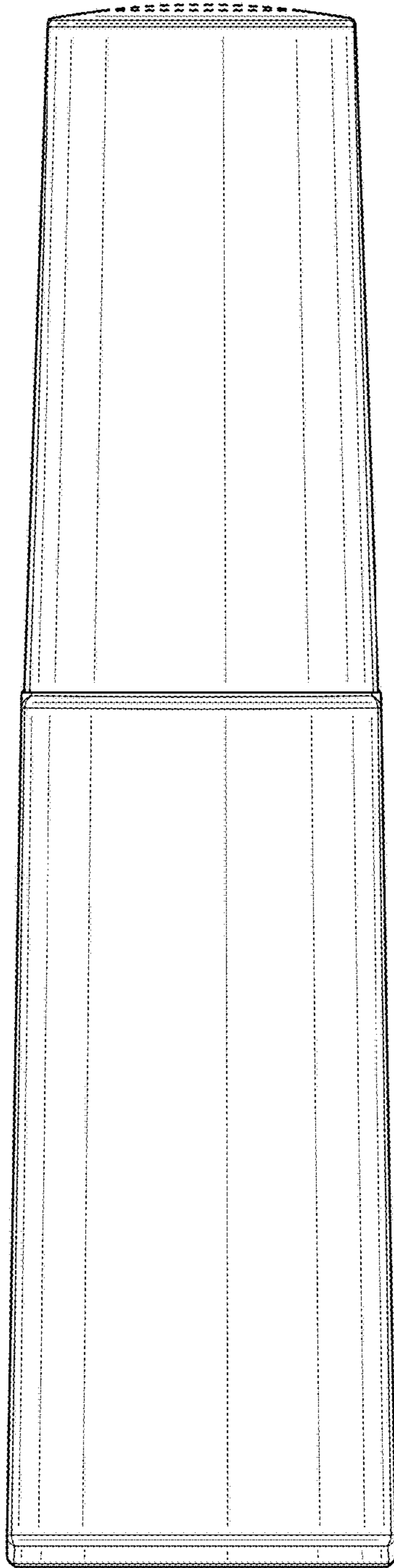


FIG. 5

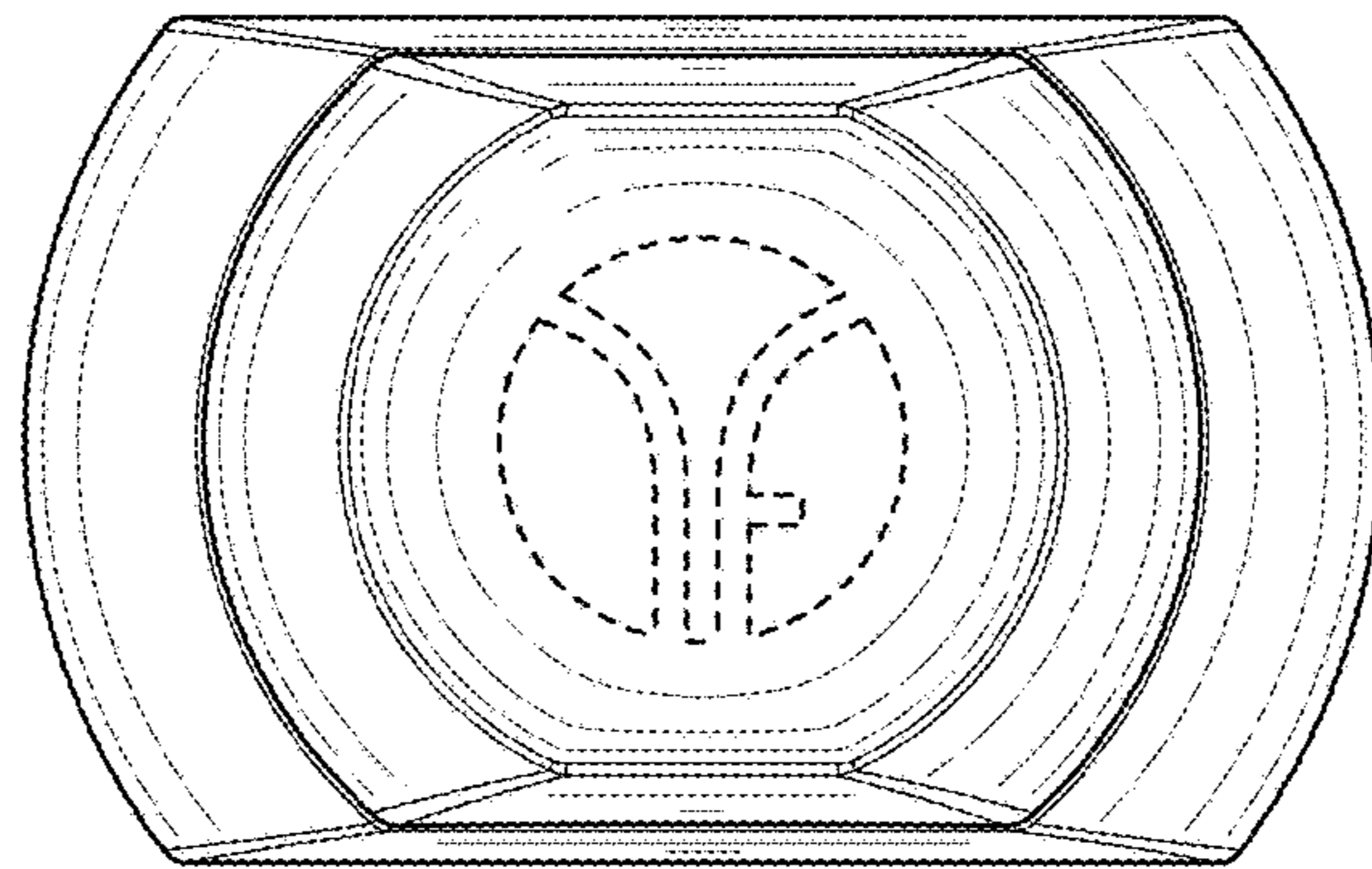


FIG. 6