



US00D842114S

(12) **United States Design Patent**
Bradley

(10) **Patent No.:** **US D842,114 S**

(45) **Date of Patent:** **** Mar. 5, 2019**

(54) **LIQUID CONTAINER**

(71) Applicant: **Mark Anthony Bradley**, Galway (IE)

(72) Inventor: **Mark Anthony Bradley**, Galway (IE)

(**) Term: **15 Years**

(21) Appl. No.: **29/627,985**

(22) Filed: **Nov. 30, 2017**

(51) **LOC (11) Cl.** **09-01**

(52) **U.S. Cl.**

USPC **D9/528**; D9/563

(58) **Field of Classification Search**

USPC D9/516, 523, 526-528, 530-531, 543,
D9/563, 571, 575, 715, 719; D23/211.1,
D23/225

CPC B65D 1/00; B65D 1/02; B65D 1/0223;
B65D 23/00; B65D 23/10; B65D 23/102;
B65D 2501/00; B65D 2501/0009; B65D
2501/0081

See application file for complete search history.

(56) **References Cited**

U.S. PATENT DOCUMENTS

D202,479 S * 10/1965 Kelly D9/528
D210,003 S * 1/1968 Macaulay D9/528
D219,867 S * 2/1971 Reimer D9/524
D229,483 S * 12/1973 Cutler D9/528

D248,831 S * 8/1978 Anderson D9/528
D279,078 S * 6/1985 Franchi D9/528
D286,615 S * 11/1986 Lyons D9/520
D287,226 S * 12/1986 Lyons D9/520
5,307,946 A * 5/1994 Molinaro B65D 1/0246
215/256
5,346,106 A * 9/1994 Ring B65D 1/20
215/370
D374,823 S * 10/1996 Decker D9/520

* cited by examiner

Primary Examiner — Dana Meyrow

(74) *Attorney, Agent, or Firm* — Galvin Patent Law LLC;
Brian R. Galvin

(57) **CLAIM**

The ornamental design for a liquid container, as shown and described.

DESCRIPTION

FIG. 1 is an upper oblique view of a liquid container according to the invention.

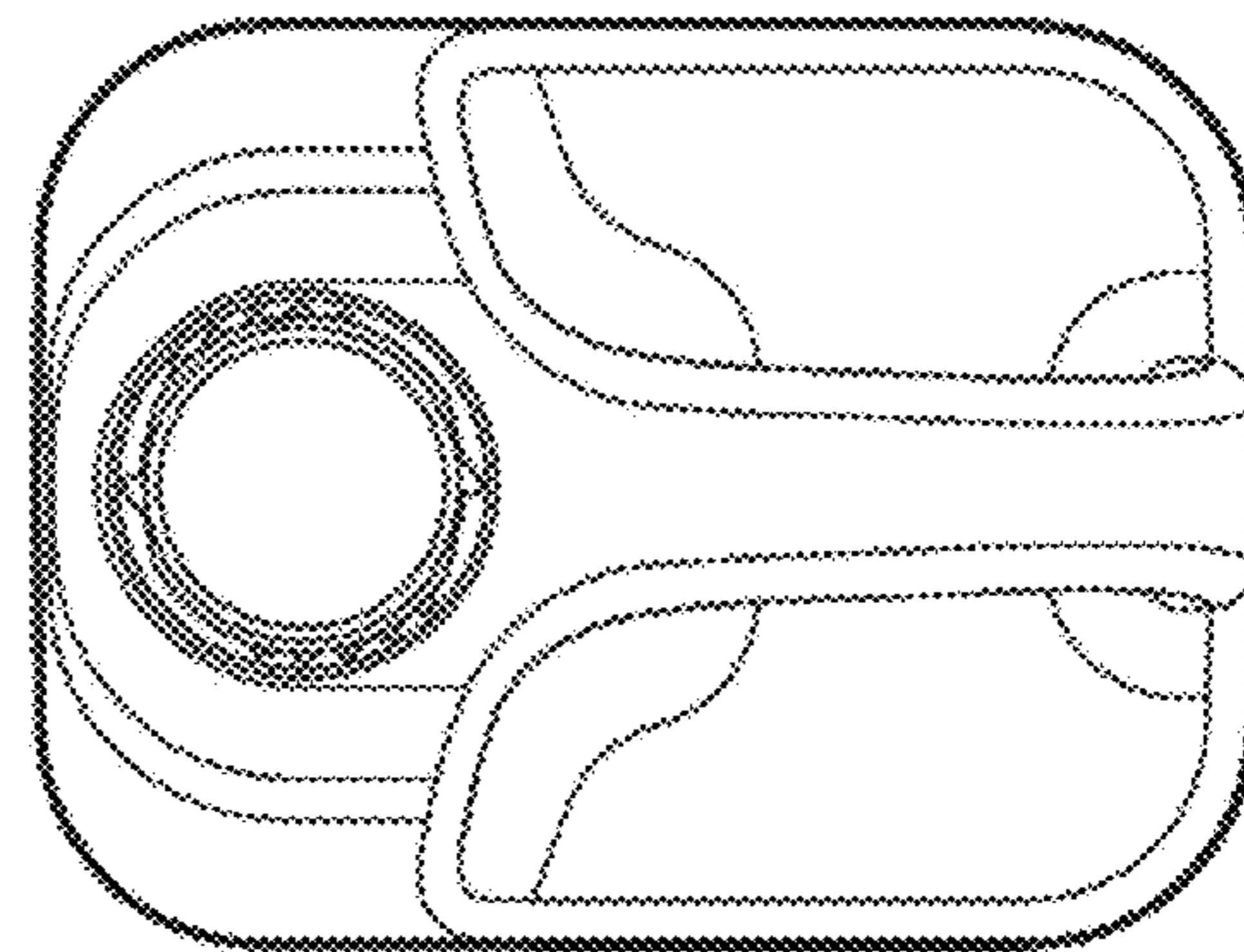
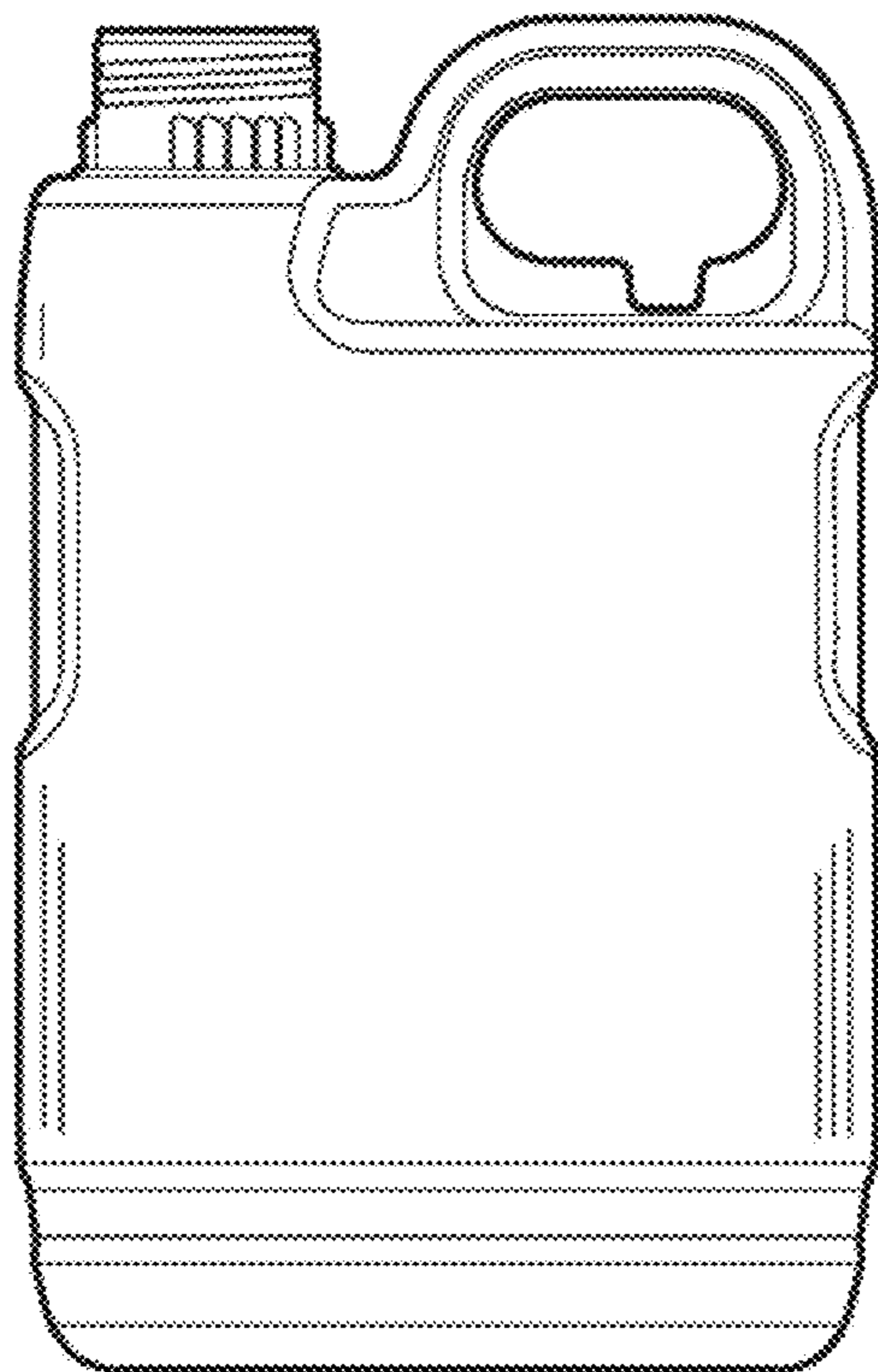
FIG. 2 is a side view of a liquid container according to the invention.

FIG. 3 is a rear view of a liquid container according to the invention.

FIG. 4 is a front view of a liquid container according to the invention; and,

FIG. 5 is a top view of a liquid container according to the invention.

1 Claim, 5 Drawing Sheets



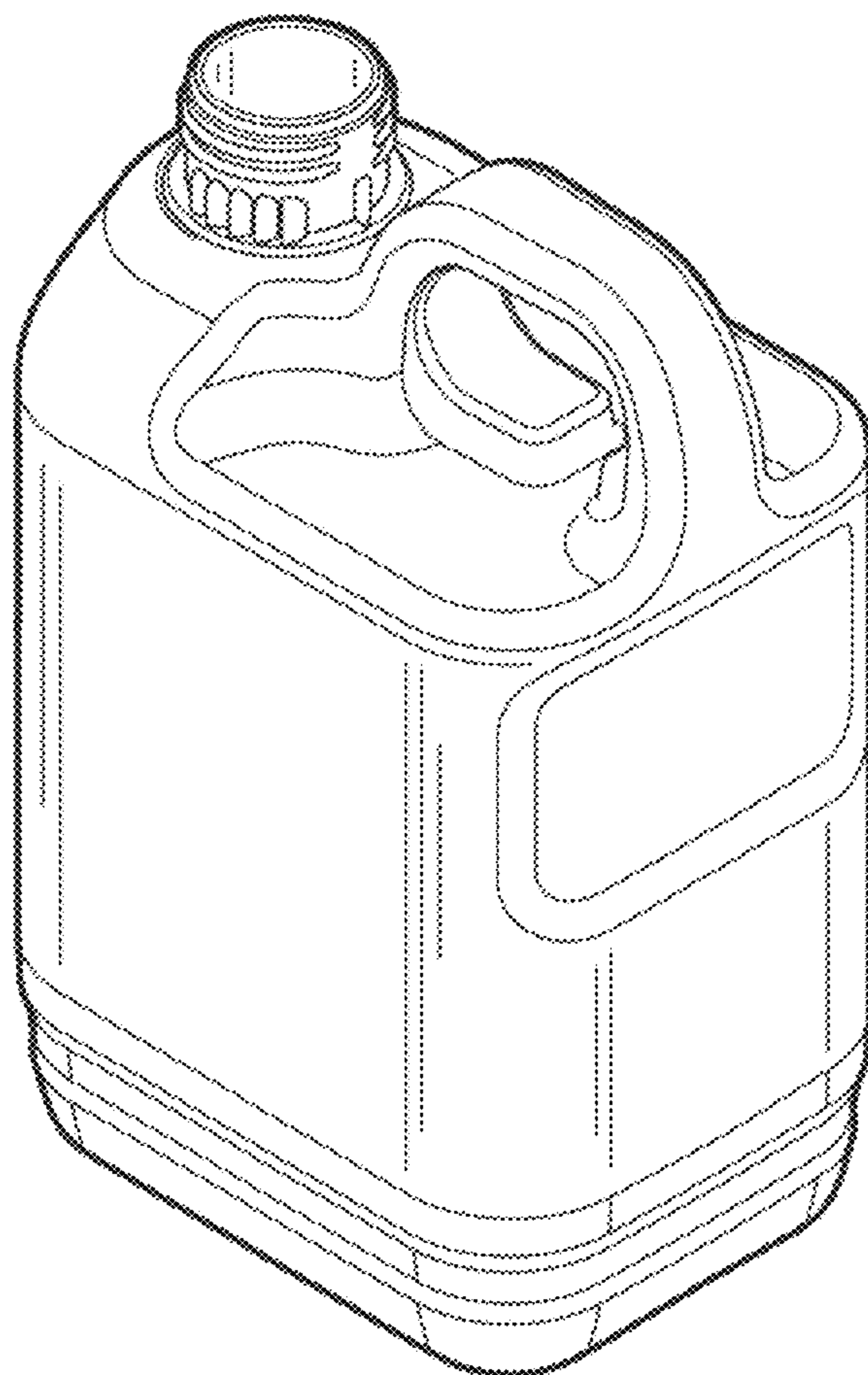


Fig. 1

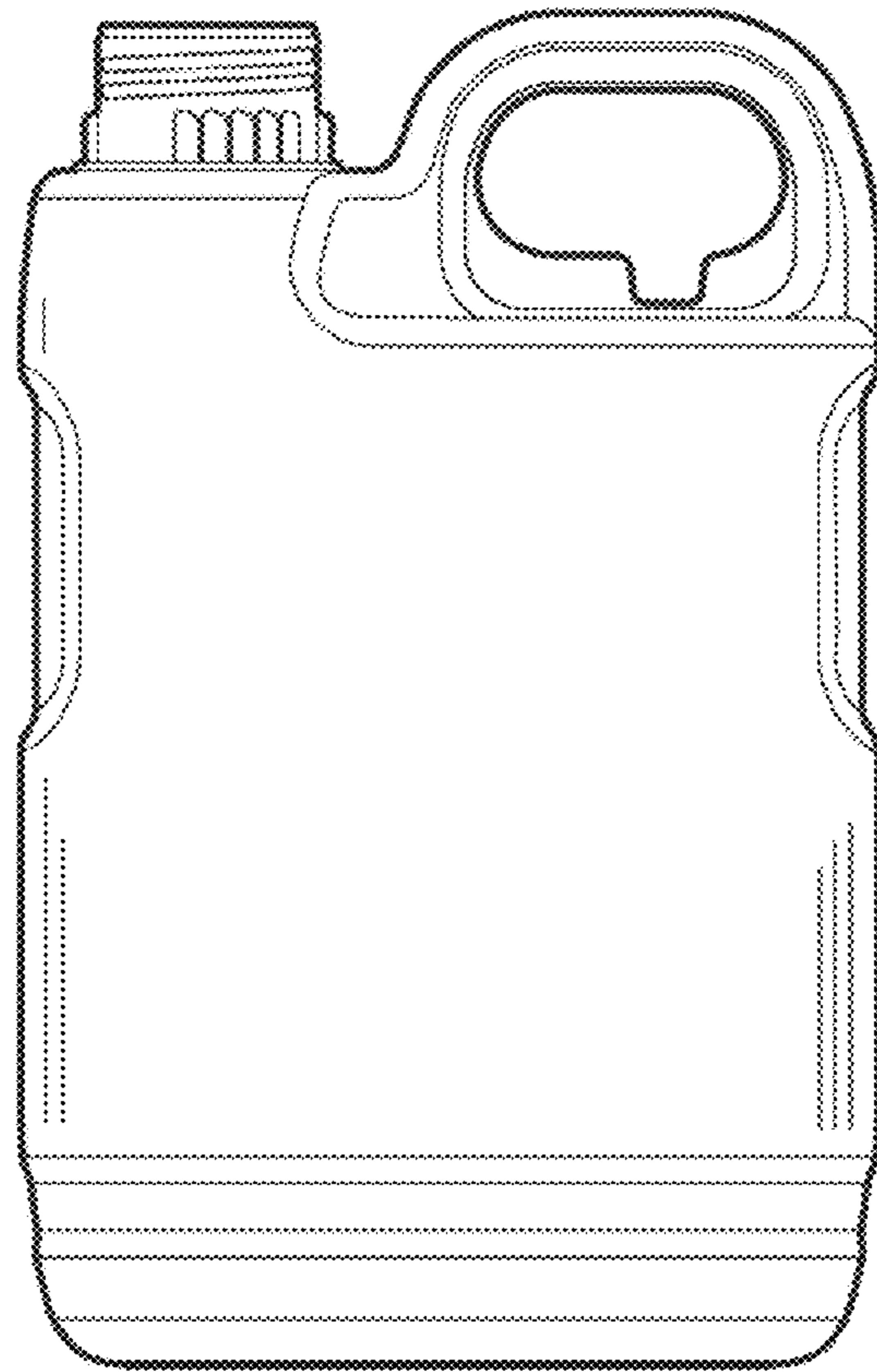


Fig. 2

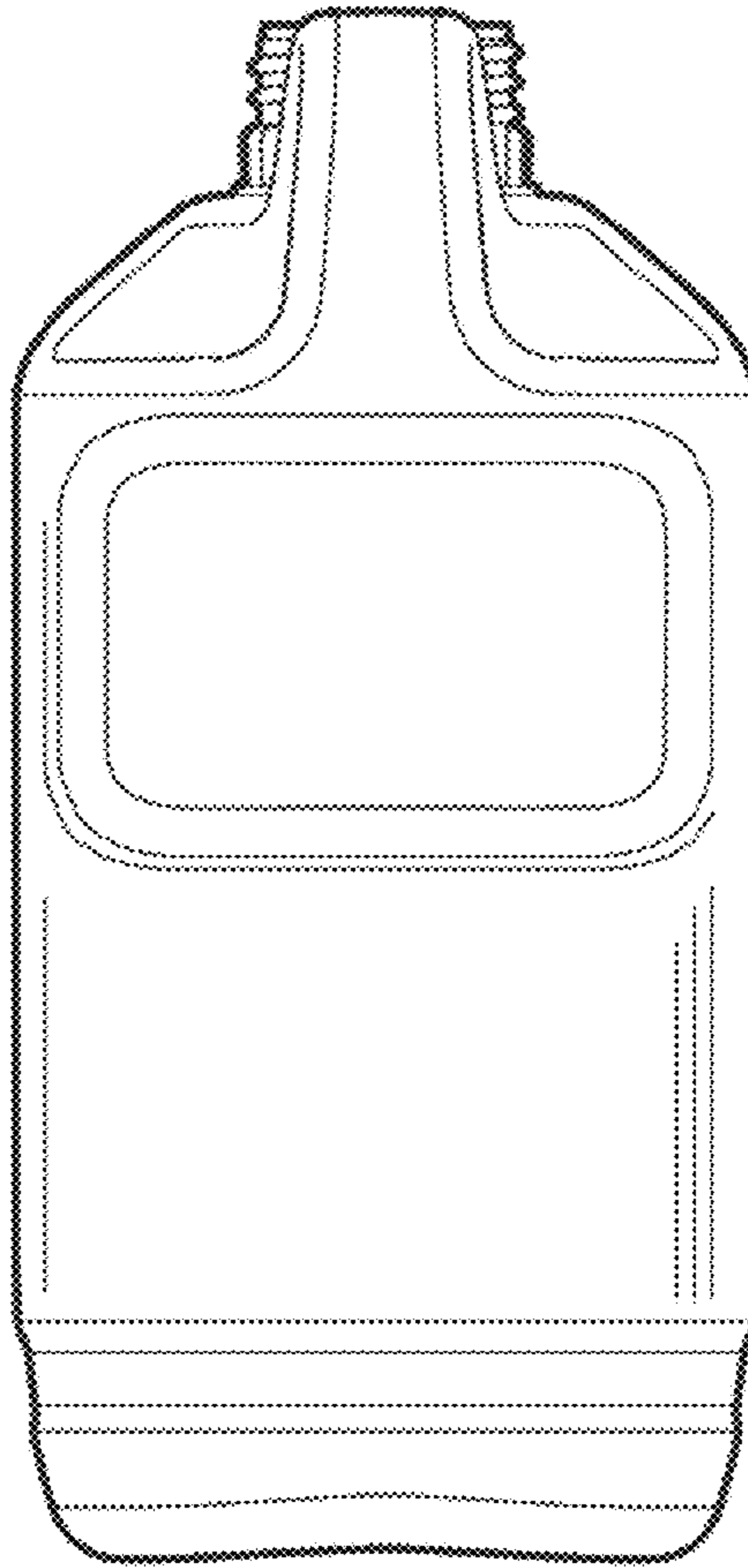


Fig. 3

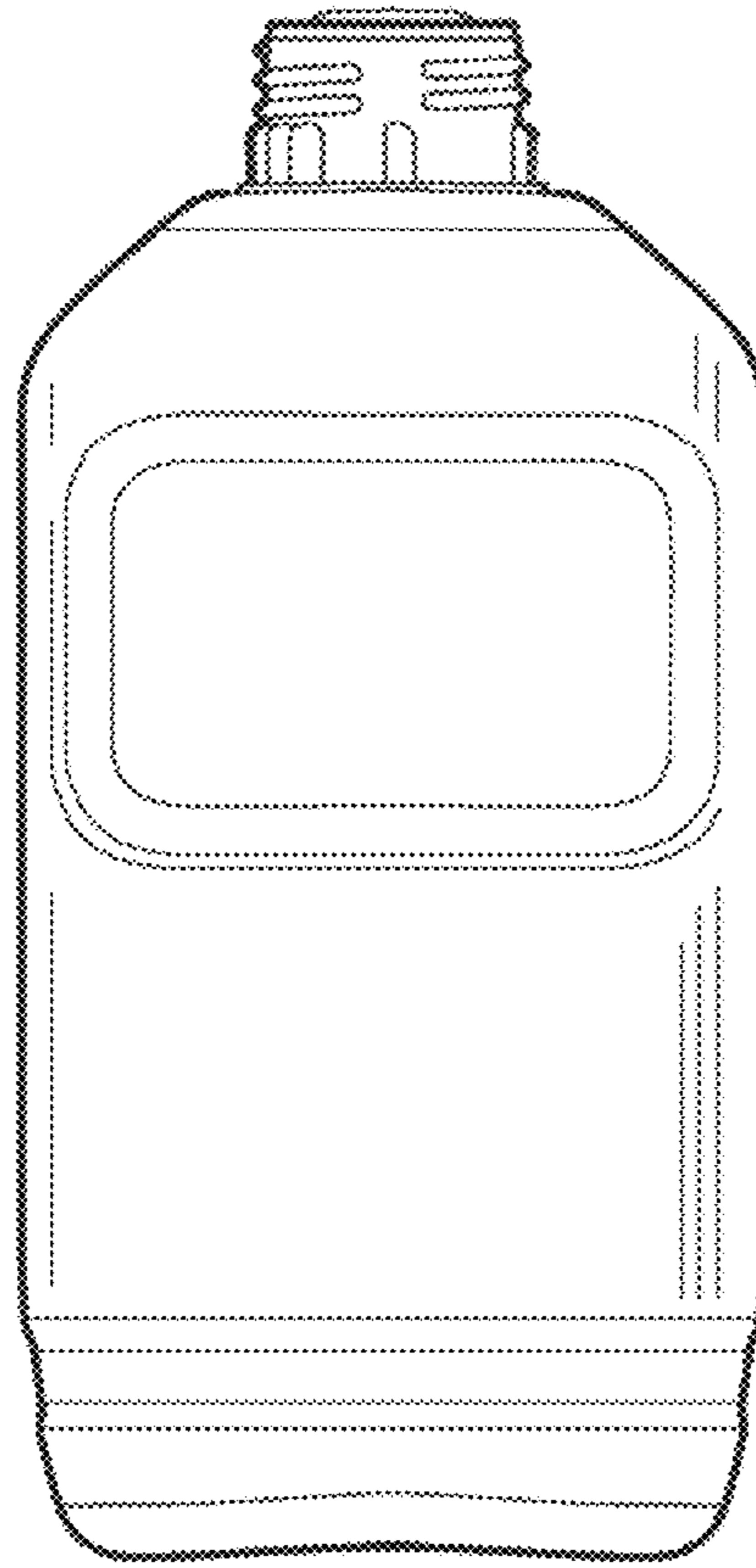


Fig. 4

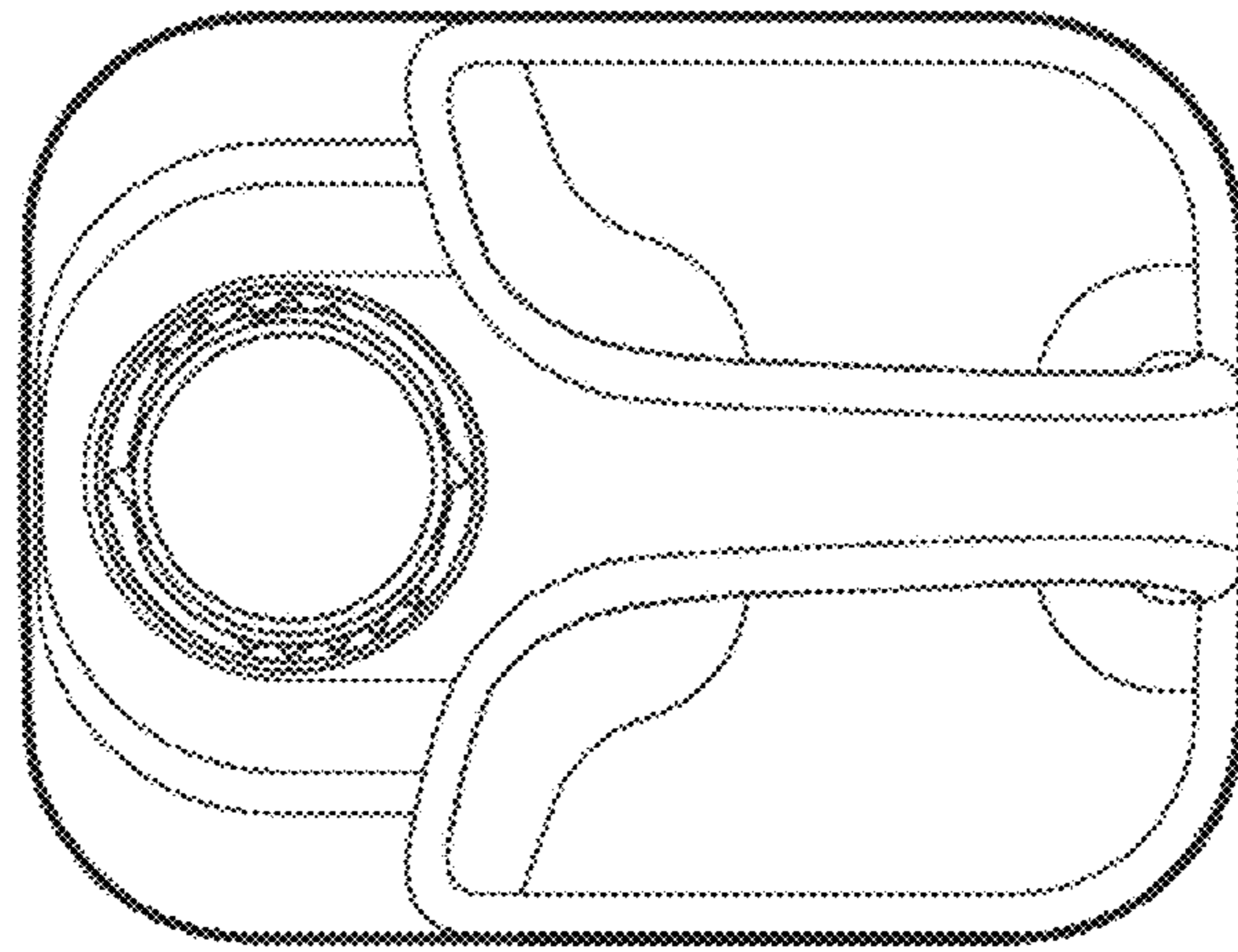


Fig. 5