



US00D842110S

(12) **United States Design Patent**  
**Marina et al.**

(10) **Patent No.:** **US D842,110 S**  
(45) **Date of Patent:** **\*\* Mar. 5, 2019**

(54) **CONTAINER**

(71) Applicant: **PepsiCo, Inc.**, Purchase, NY (US)

(72) Inventors: **Carlos Hernan Marina**, Deerfield Beach, FL (US); **Tucker H. Fort**, Brooklyn, NY (US); **Joey Miguel Zeledon**, Brooklyn, NY (US); **Morris Elijah Worden, IV**, New York, NY (US)

(73) Assignee: **PepsiCo, Inc.**, Purchase, NY (US)

(\*\*) Term: **15 Years**

(21) Appl. No.: **29/624,306**

(22) Filed: **Oct. 31, 2017**

**Related U.S. Application Data**

(63) Continuation of application No. 29/539,694, filed on Sep. 16, 2015, now Pat. No. Des. 803,060.

(51) **LOC (11) Cl.** ..... **09-01**

(52) **U.S. Cl.**  
USPC ..... **D9/504**; D9/454; D9/554

(58) **Field of Classification Search**  
USPC ..... D9/414, 424, 428, 434-435, 454, 500, D9/503-504, 516, 519, 529, 549, 558, D9/715, 554; D7/400, 601-602, 608, D7/612, 615, 629-630; D26/6, 9-11, 22  
CPC ..... B65D 1/00; B65D 1/02; B65D 1/0223; B65D 23/00; B65D 81/00; B65D 2501/00; B65D 2501/0009

See application file for complete search history.

(56) **References Cited**

**U.S. PATENT DOCUMENTS**

D230,954 S 3/1974 Gregoriotti  
D269,148 S 5/1983 Trkla et al.  
D272,223 S 1/1984 Daenen

D312,778 S 12/1990 Tacconelli  
D372,194 S 7/1996 Dallaire  
D405,003 S 2/1999 Dapsanse  
D405,372 S 2/1999 Yucknut  
D423,360 S 4/2000 Hirato et al.  
D442,834 S 5/2001 Perez  
D445,032 S 7/2001 Hammer  
D465,733 S \* 11/2002 Hill ..... D9/519  
D477,535 S 7/2003 Thorpe  
D480,000 S 9/2003 Hirato  
(Continued)

**FOREIGN PATENT DOCUMENTS**

DE 402010000802-0003 1/2010  
FI 9918 9/1986

(Continued)

*Primary Examiner* — Dana Meyrow

(74) *Attorney, Agent, or Firm* — Sterne, Kessler, Goldstein & Fox P.L.L.C.

(57) **CLAIM**

The ornamental design for a container, as shown and described.

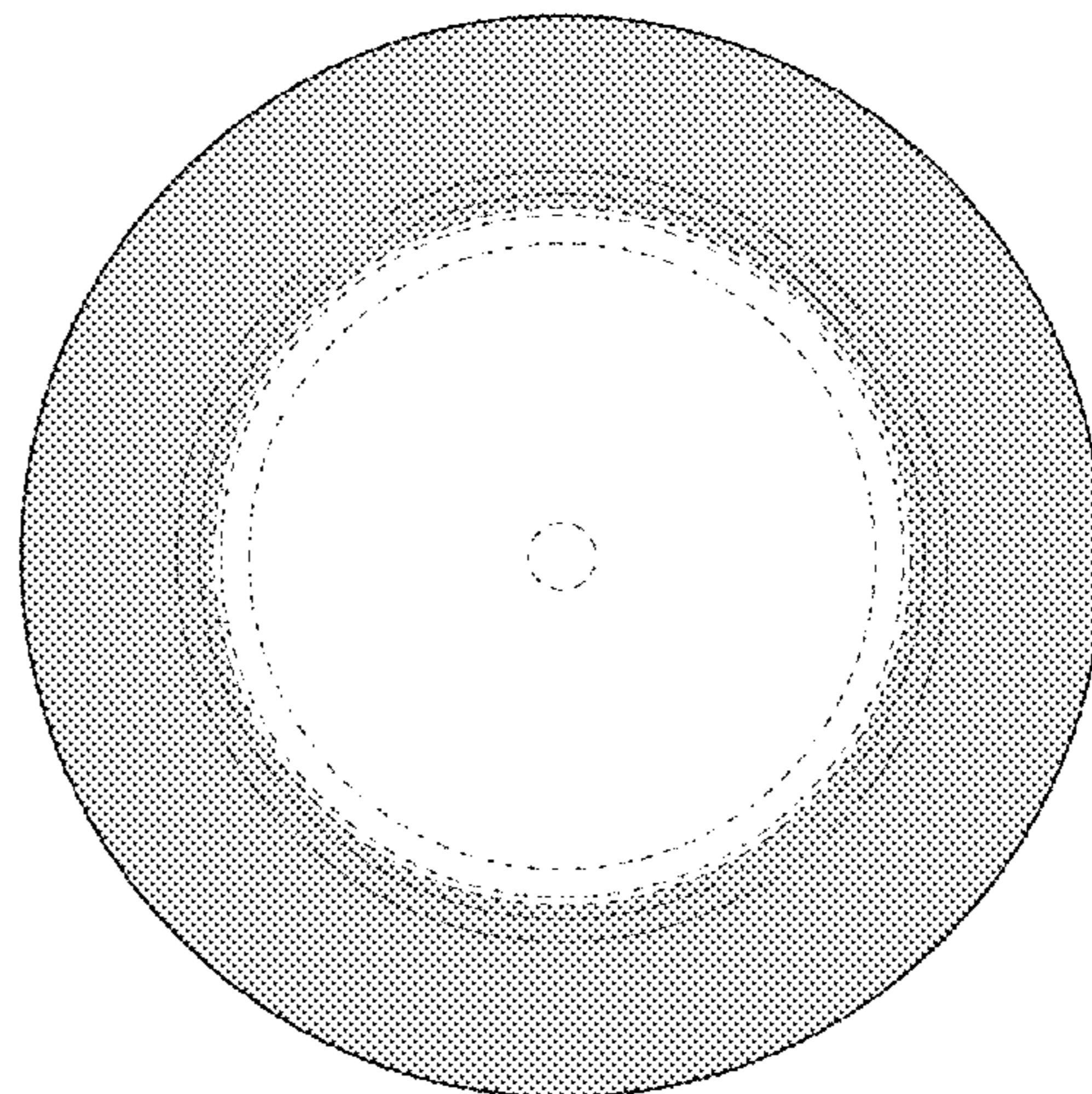
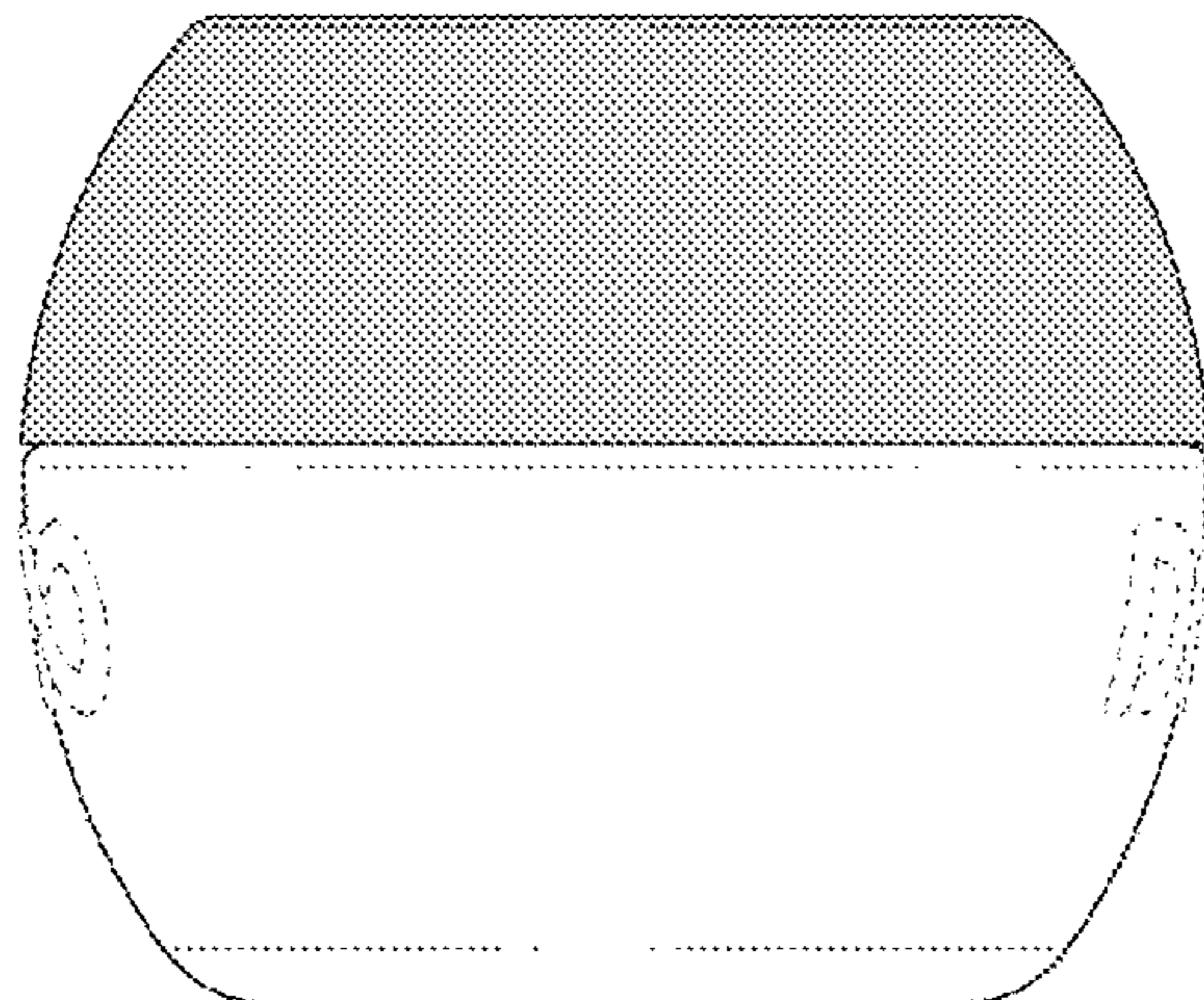
**DESCRIPTION**

FIG. 1 is a top perspective view of a container showing the claimed design;  
FIG. 2 is a bottom perspective view thereof;  
FIG. 3 is a front view thereof;  
FIG. 4 is a rear view thereof;  
FIG. 5 is a left side view thereof;  
FIG. 6 is a right side view thereof;  
FIG. 7 is a top view thereof; and,  
FIG. 8 is a bottom view thereof.

The figures are illustrated to show contrasting appearance. Shaded areas contrast in appearance with unshaded claimed areas.

The broken lines in the figures show portions of the container that form no part of the claimed design.

**1 Claim, 8 Drawing Sheets**



(56)

**References Cited**

U.S. PATENT DOCUMENTS

D540,170 S 4/2007 Canamasas Puigbo  
 D593,372 S 6/2009 Carreno  
 D610,009 S 2/2010 Prufer  
 D610,460 S 2/2010 Nagata  
 D612,245 S 3/2010 Canamasas Puigbo  
 D615,867 S 5/2010 Sagaseki et al.  
 D621,708 S 8/2010 Thomas et al.  
 D621,710 S 8/2010 Cueto  
 D627,650 S 11/2010 Yeung  
 D645,751 S 9/2011 Baek  
 D655,168 S 3/2012 In  
 D664,853 S \* 8/2012 Kipry ..... D28/73  
 D677,570 S 3/2013 Cueto  
 D681,278 S 4/2013 Schlatter  
 D696,555 S 12/2013 Kolano  
 D697,800 S 1/2014 Villarreal et al.  
 D699,578 S 2/2014 Marina et al.  
 D701,767 S 4/2014 Marina et al.

D703,487 S 4/2014 Marina et al.  
 D707,561 S 6/2014 You  
 D710,544 S 8/2014 Shen  
 D717,651 S 11/2014 Marina et al.  
 D721,589 S 1/2015 Sturdevant et al.  
 D729,593 S 5/2015 Myoung  
 D735,039 S 7/2015 Pires et al.  
 D739,740 S 9/2015 Sturdevant et al.  
 D760,527 S 7/2016 Jones  
 D788,586 S 6/2017 Molinari  
 D793,236 S 8/2017 Santos et al.  
 D797,520 S 9/2017 Kolano  
 D803,060 S \* 11/2017 Marina ..... D9/504  
 D808,812 S \* 1/2018 Talsania ..... D9/529  
 D818,648 S \* 5/2018 Cleij ..... D28/85

FOREIGN PATENT DOCUMENTS

JP D965582 10/1996  
 KR 30-0477693 1/2008

\* cited by examiner

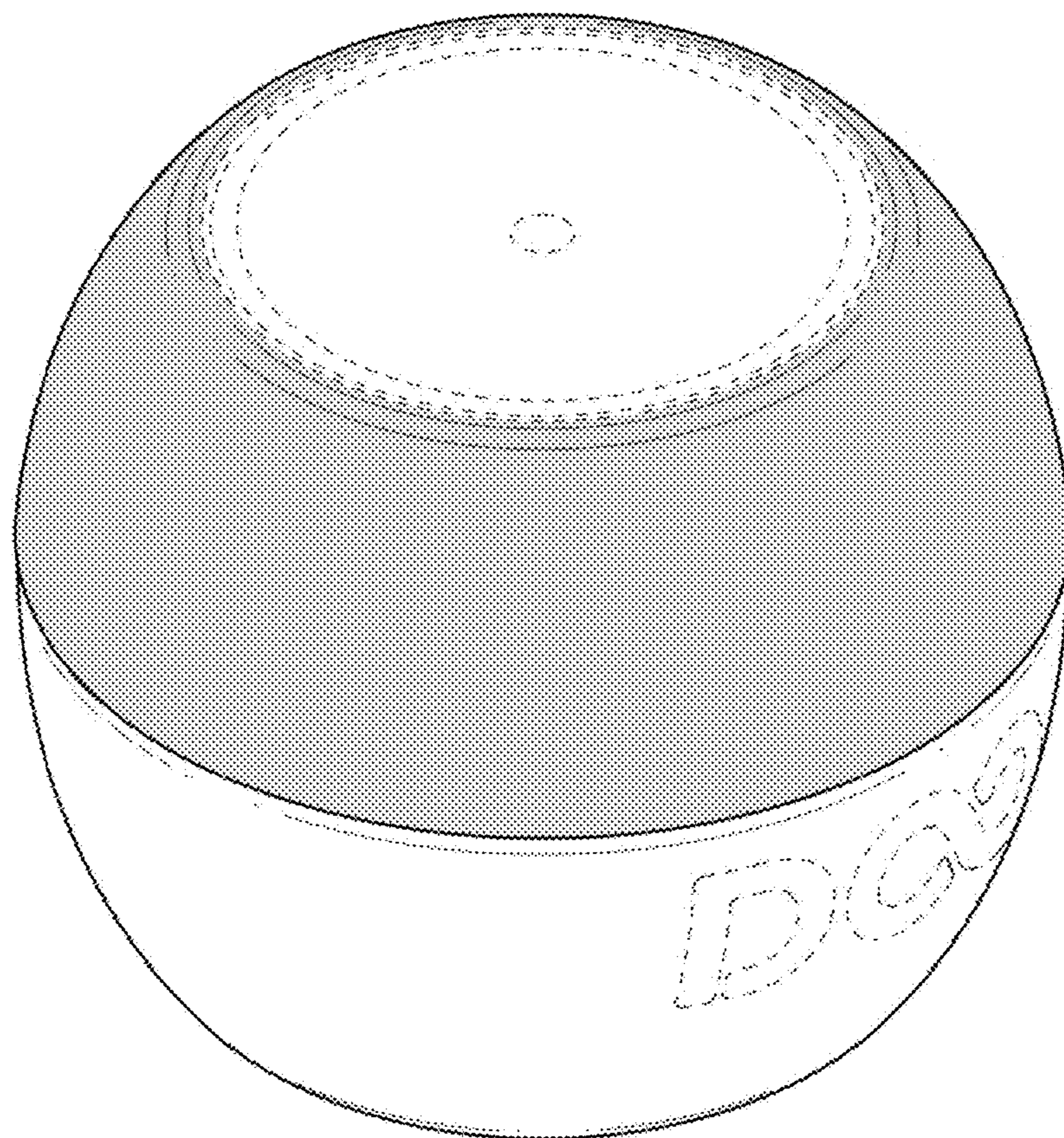


FIG. 1

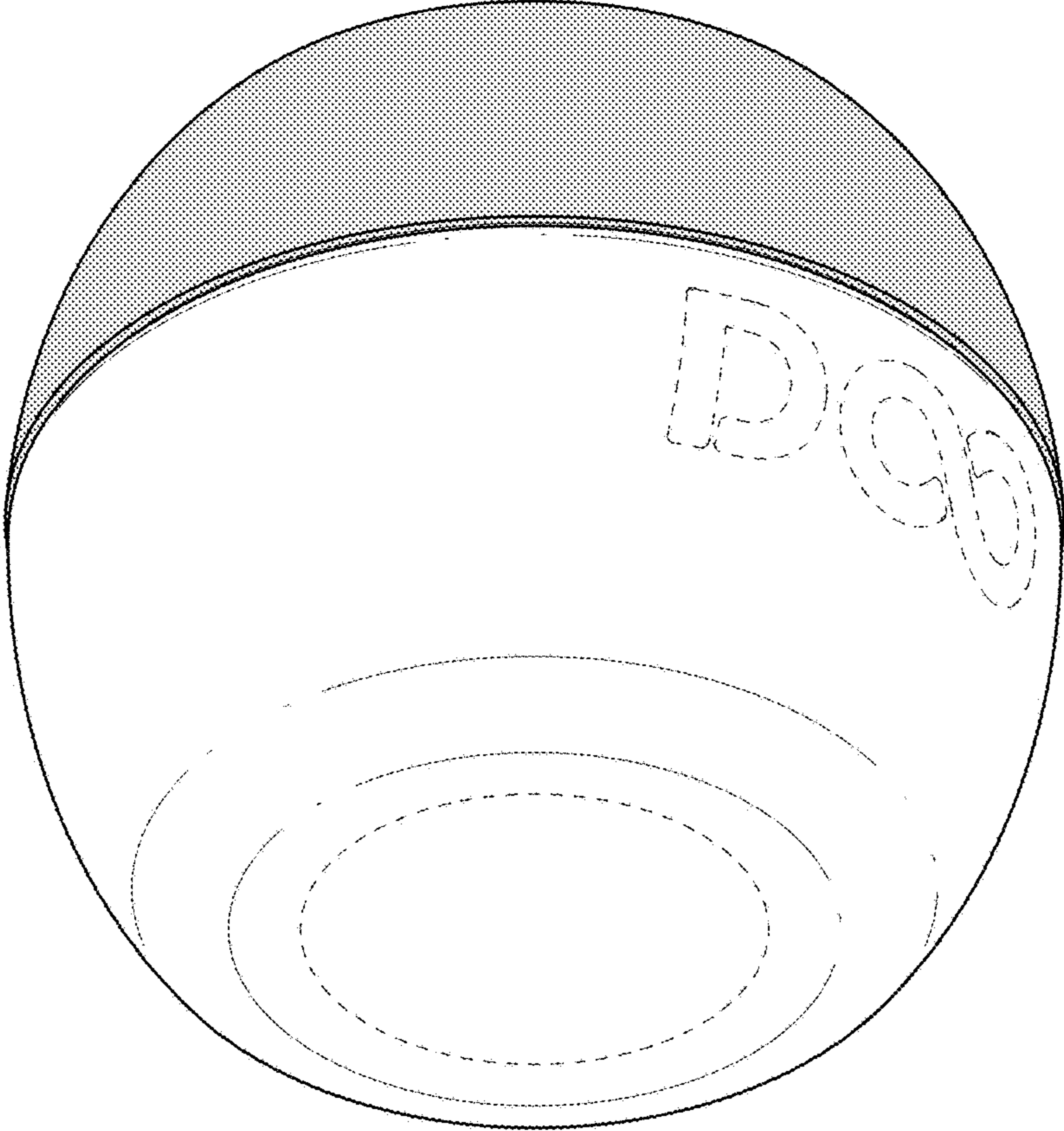


FIG. 2

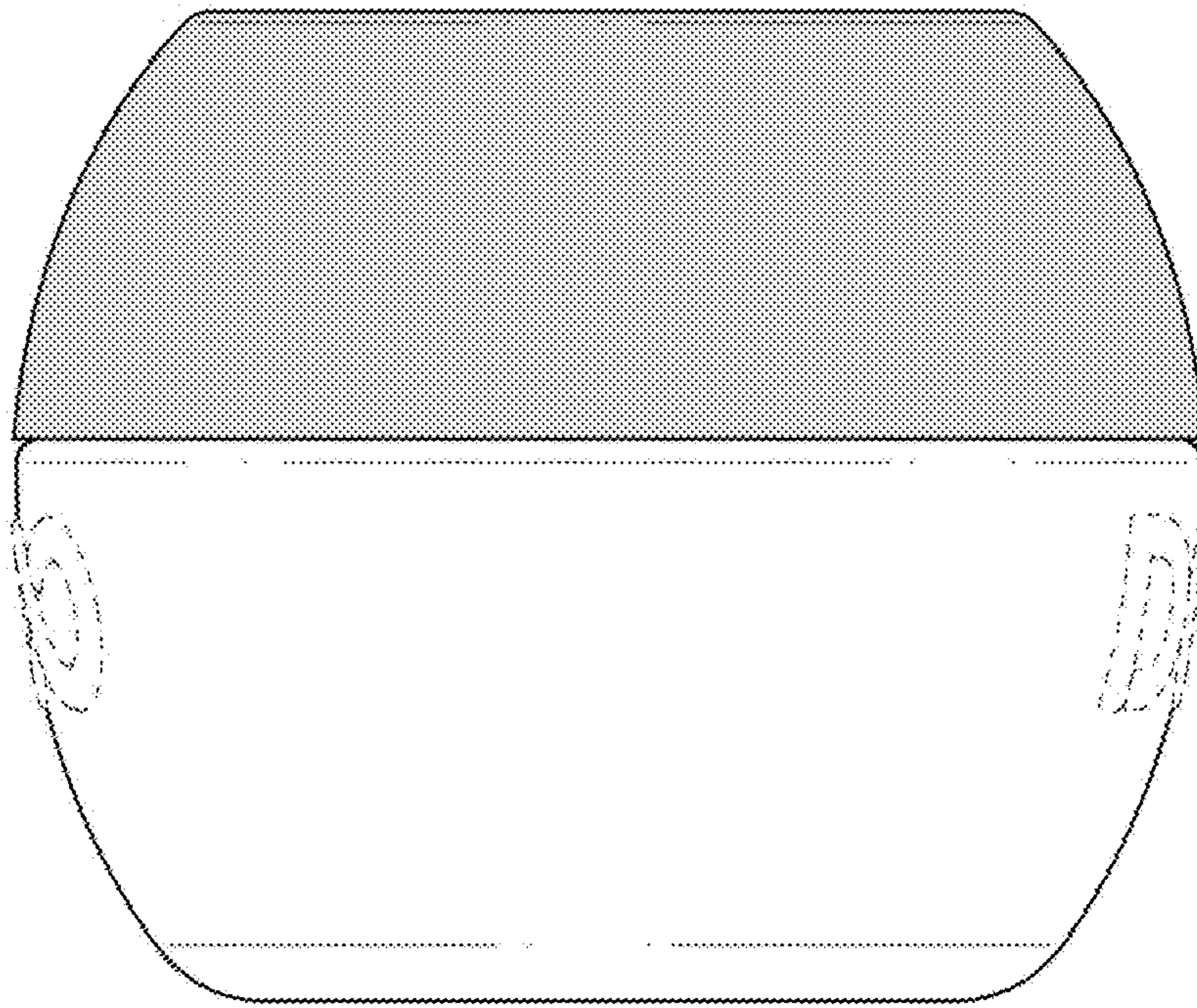


FIG. 3

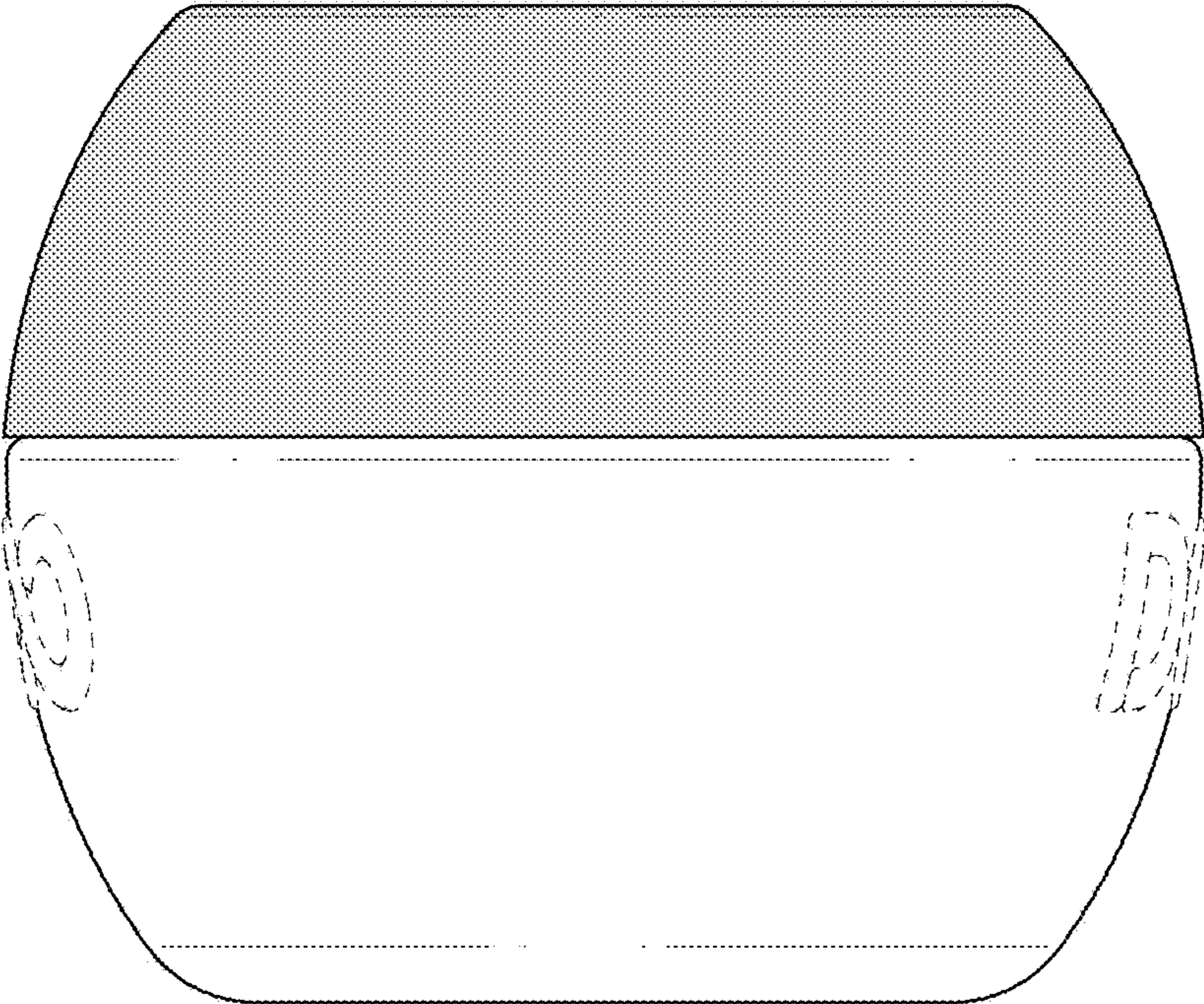
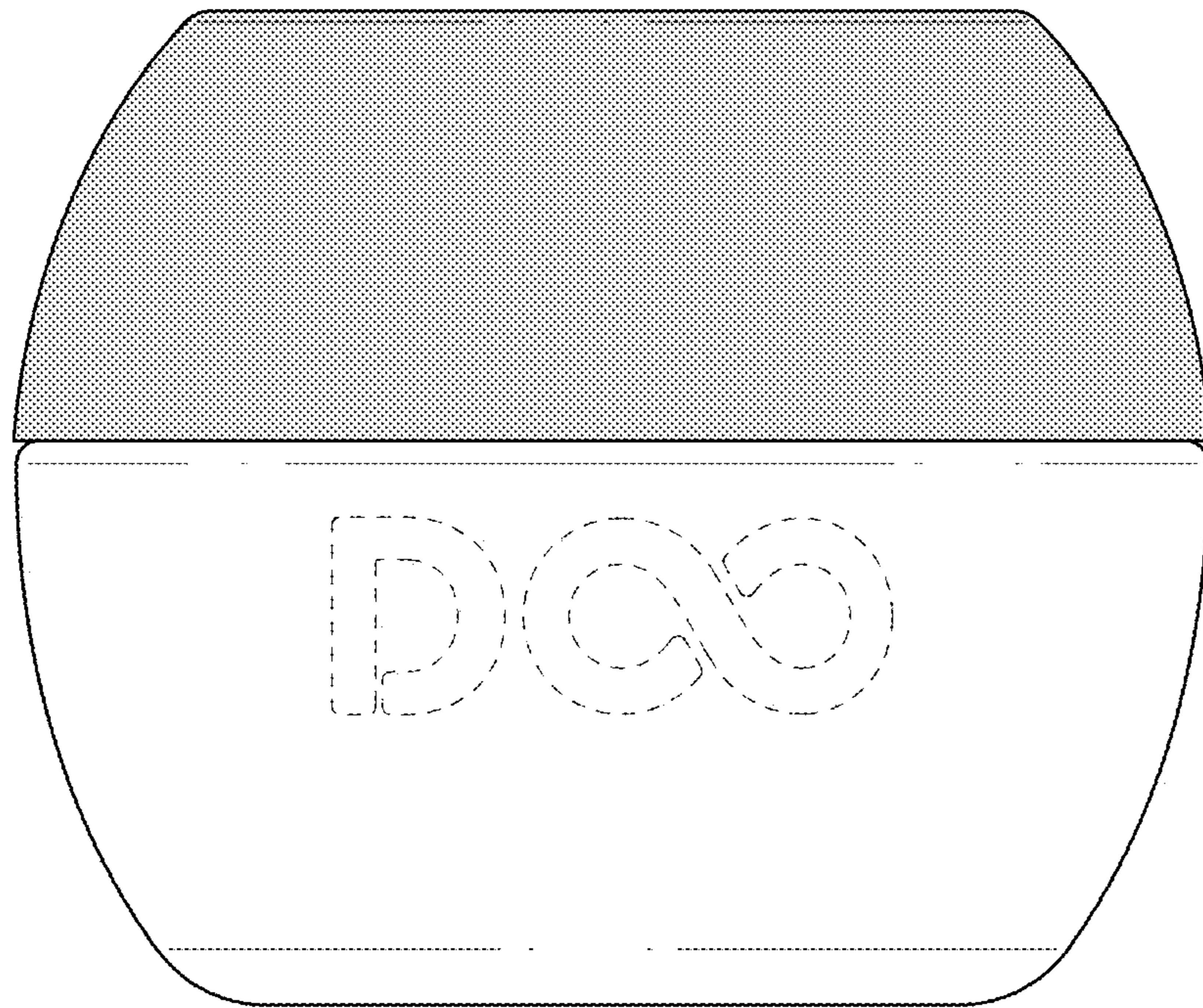
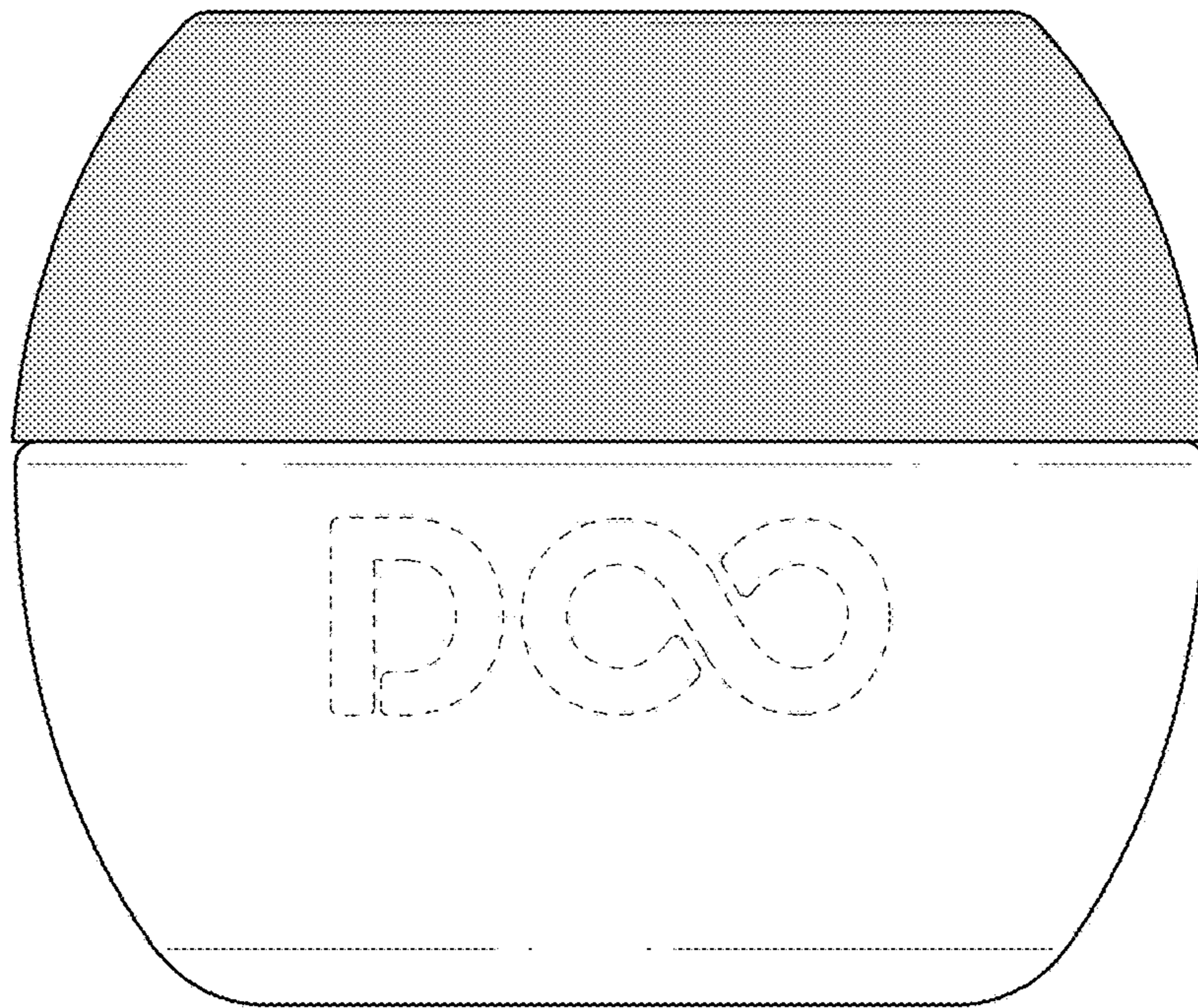


FIG. 4

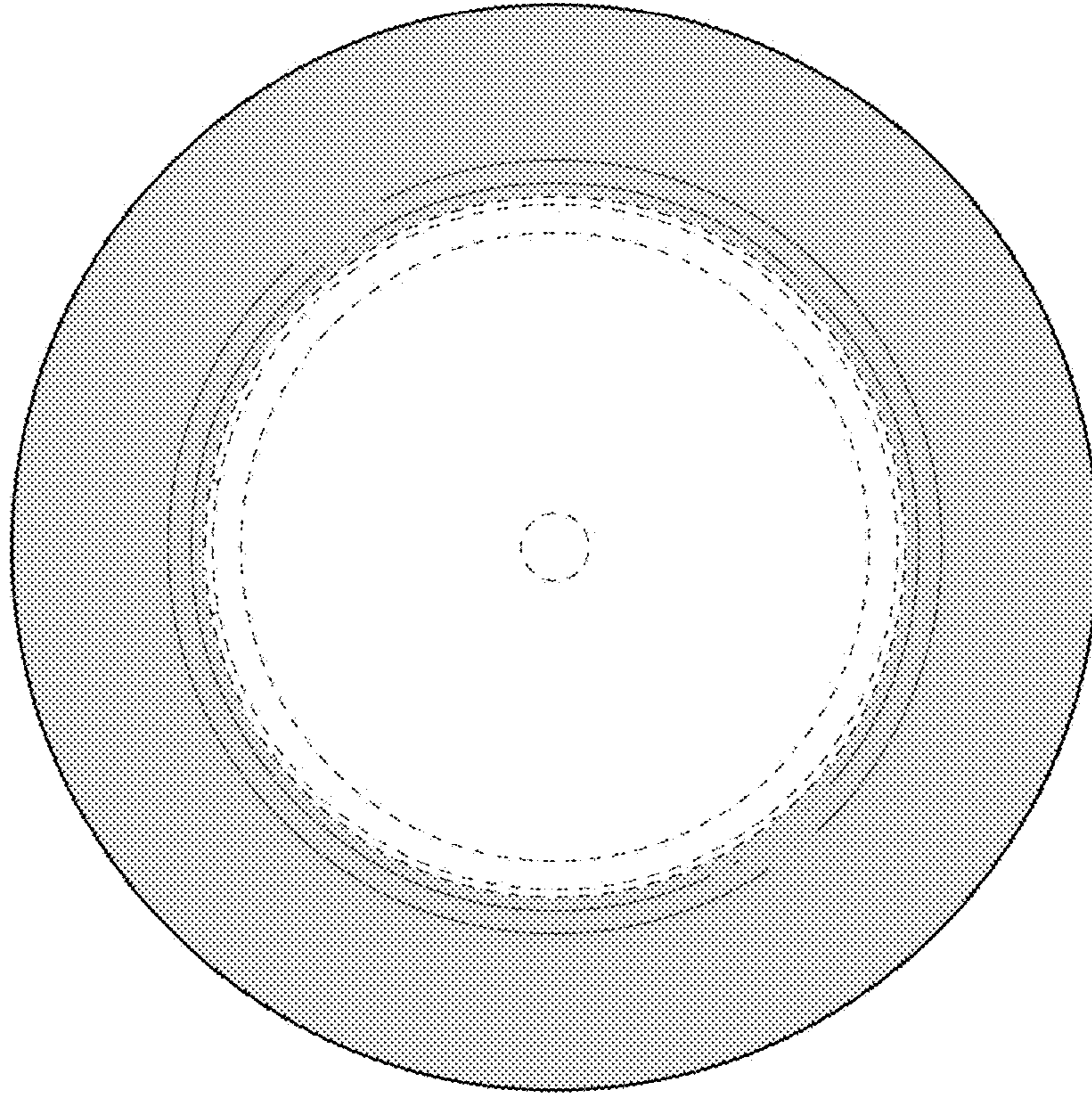


**FIG. 5**



**FIG. 6**





**FIG. 7**

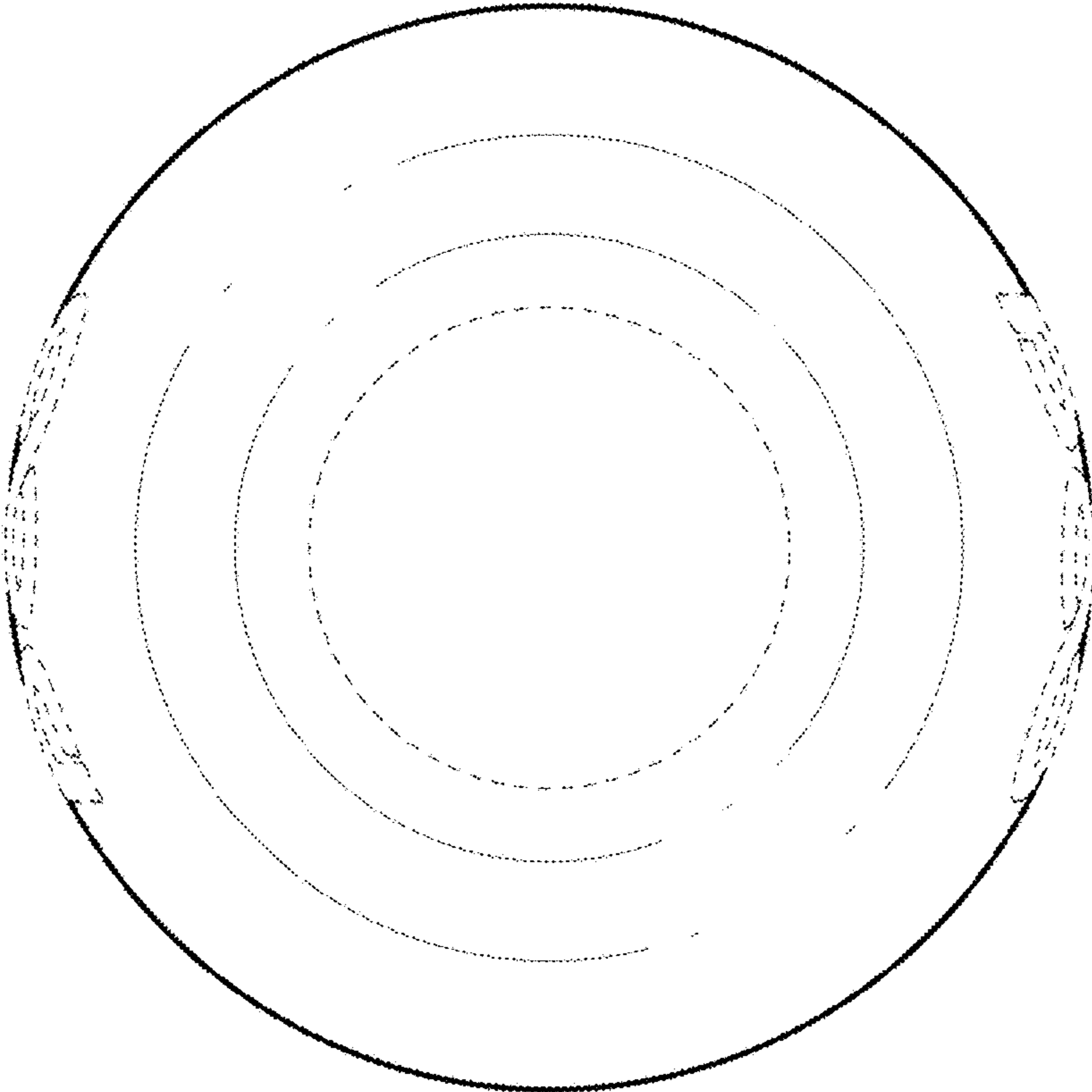


FIG. 8