



US00D842108S

(12) **United States Design Patent**  
**Latour et al.**

(10) **Patent No.:** **US D842,108 S**  
(45) **Date of Patent:** **\*\* Mar. 5, 2019**

(54) **BOTTLE FOR A DRINKABLE PRODUCT**

(71) Applicant: **Chobani LLC**, Norwich, NY (US)

(72) Inventors: **Jean-Yves Latour**, Utica, NY (US);  
**Marc Abjean**, Twin Falls, ID (US);  
**Loys Millescamps**, Trappes (FR);  
**Christopher Ryan**, Fairfield, CT (US);  
**Niel Sanford**, Warwick, NY (US)

(73) Assignee: **Chobani LLC**, New York, NY (US)

(\*\*) Term: **15 Years**

(21) Appl. No.: **29/581,573**

(22) Filed: **Oct. 20, 2016**

(51) **LOC (11) Cl.** ..... **09-01**

(52) **U.S. Cl.**  
USPC ..... **D9/500**

(58) **Field of Classification Search**  
USPC ..... D9/500, 502-505, 516, 520, 537, 539,  
D9/548-549, 558, 562, 574

(Continued)

(56) **References Cited**

U.S. PATENT DOCUMENTS

D16,864 S 8/1886 Hurley  
D30,533 S 4/1899 Valerius

(Continued)

*Primary Examiner* — Dana Meyrow

(74) *Attorney, Agent, or Firm* — Wood Herron & Evans  
LLP

(57) **CLAIM**

The ornamental design for a bottle for a drinkable product,  
therefor as shown and described.

**DESCRIPTION**

FIG. 1 is a top-front-left isometric view of a bottle for a  
drinkable product according to a first embodiment, with a  
removable cap (shown in phantom) engaged with the bottle  
for a drinkable product.

FIG. 2 is a left side elevation view of the bottle for a  
drinkable product of FIG. 1, the right side elevation view  
being identical thereof.

FIG. 3 is a front elevation view of the bottle for a drinkable  
product of FIG. 1, the rear elevation view being identical  
thereof.

FIG. 4 is a top plan view of the bottle for a drinkable product  
of FIG. 1.

FIG. 5 is a bottom plan view of the bottle for a drinkable  
product of FIG. 1.

FIG. 6 is a top-front-left isometric view of a bottle for a  
drinkable product according to a second embodiment.

FIG. 7 is a left side elevation view of the bottle for a  
drinkable product of FIG. 6, the right side elevation view  
being identical thereof.

FIG. 8 is a front elevation view of the bottle for a drinkable  
product of FIG. 6, the rear elevation view being identical  
thereof.

FIG. 9 is a top plan view of the bottle for a drinkable product  
of FIG. 6.

FIG. 10 is a bottom plan view of the bottle for a drinkable  
product of FIG. 6.

FIG. 11 is a top-front-left isometric view of a bottle for a  
drinkable product according to a third embodiment.

FIG. 12 is a left side elevation view of the bottle for a  
drinkable product of FIG. 11, the right side elevation view  
being identical thereof.

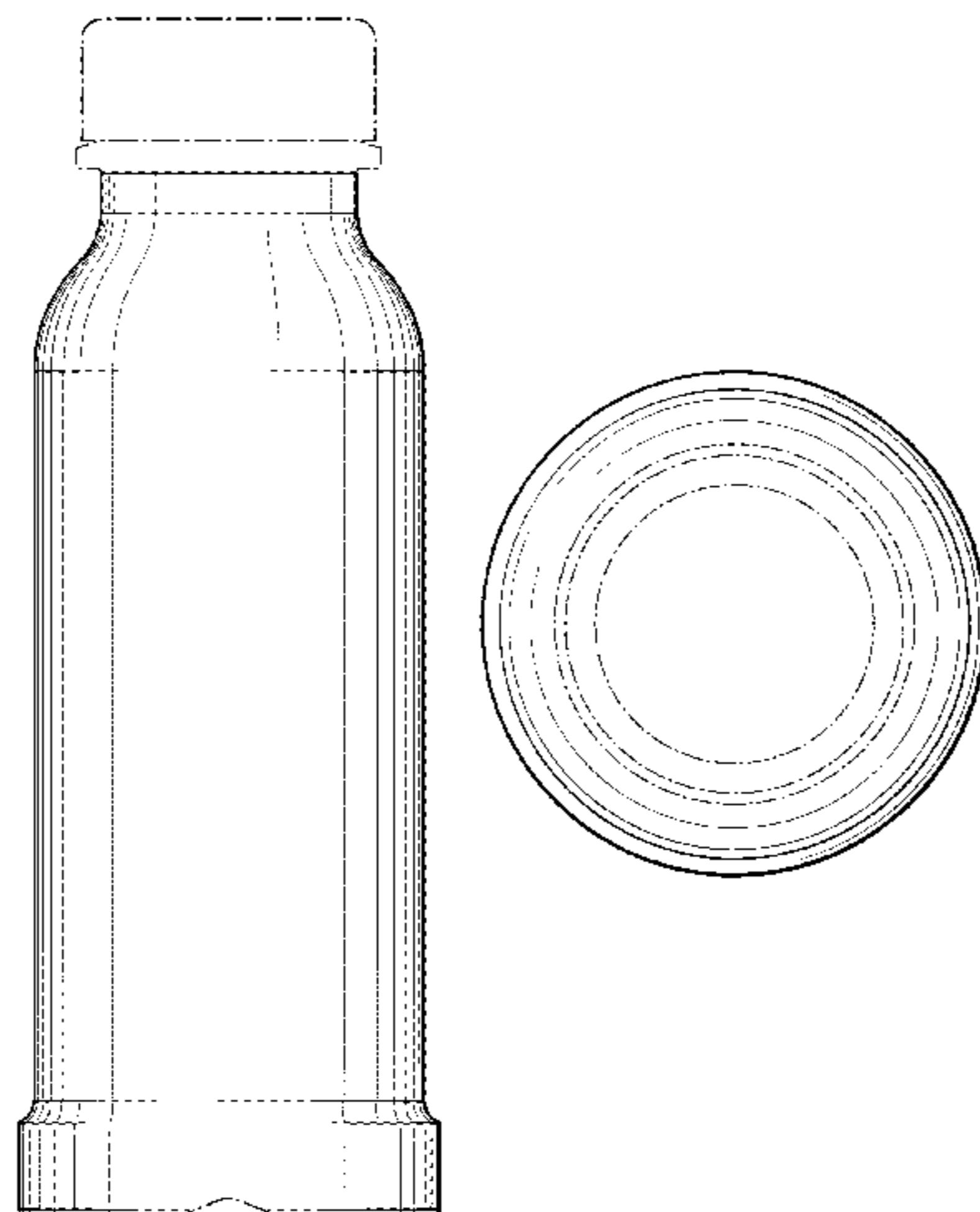
FIG. 13 is a front elevation view of the bottle for a drinkable  
product of FIG. 11, the rear elevation view being identical  
thereof.

FIG. 14 is a top plan view of the bottle for a drinkable  
product of FIG. 11; and,

FIG. 15 is a bottom plan view of the bottle for a drinkable  
product of FIG. 11.

The phantom lines showing the break in the bottle sidewall  
in FIGS. 11, 12 & 13 represent unclaimed boundaries. Any  
portion of the bottle for drinkable product between these  
boundaries forms no part of the claimed design. The remain-  
der of the phantom lines shown throughout the drawing  
views illustrate the portions of the bottle for drinkable  
product that form no part of the claim thereof.

**1 Claim, 12 Drawing Sheets**



(58) **Field of Classification Search**  
 CPC ..... B65D 1/00; B65D 1/02; B65D 1/0223;  
                   B65D 23/00; B65D 81/00; B65D  
                   2501/00; B65D 2501/0009  
 See application file for complete search history.

(56) **References Cited**

U.S. PATENT DOCUMENTS

D84,683 S	7/1931	Davis	
D115,331 S *	6/1939	Conner	D9/502
D149,394 S	4/1948	Allen	
D202,003 S *	8/1965	Douglas	D9/669
4,054,219 A *	10/1977	Young	B65D 1/0284 215/375
D261,863 S *	11/1981	Pardo	D9/504
D274,500 S *	7/1984	Sephton	D9/500
D276,889 S	12/1984	Biesecker	
D287,335 S	12/1986	Anderson	
D353,772 S	12/1994	Dunning	
D383,382 S *	9/1997	Meshberg	D9/690
D416,800 S *	11/1999	Herrmann	D9/500
D433,633 S *	11/2000	La Fata	D9/502
D461,411 S	8/2002	Zutler	
D469,664 S *	2/2003	Marks	D7/608
D503,619 S	4/2005	Jackson et al.	
D522,366 S	6/2006	Scott	
D541,157 S	4/2007	Samartgis	
D568,746 S	5/2008	Goldsmith et al.	

D611,344 S *	3/2010	Longacre	D9/500
D611,822 S	3/2010	Rajani et al.	
D622,145 S	8/2010	Walsh	
D624,417 S	9/2010	Bentley et al.	
D624,821 S	10/2010	Leonardis	
D643,291 S	8/2011	Haskins	
D654,362 S	2/2012	Weber-Trinkfass et al.	
D655,167 S	3/2012	Weber-Trinkfass et al.	
D664,852 S	8/2012	Weber-Trinkfass et al.	
D696,119 S	12/2013	Evans	
8,616,395 B2 *	12/2013	Patcheak	B65D 1/0276 215/373
D697,407 S	1/2014	Hines	
D697,409 S	1/2014	Wilson	
D701,463 S *	3/2014	Hojo	D9/719
D703,000 S	4/2014	Marina et al.	
D704,557 S *	5/2014	Hamill	D9/500
D704,558 S	5/2014	Weiss	
D704,559 S	5/2014	Weiss	
D718,630 S *	12/2014	Shaw	D9/500
D739,256 S	9/2015	Kim et al.	
D749,419 S	2/2016	Grossman	
D752,440 S	3/2016	Fleischhacker	
D756,784 S	5/2016	Fine et al.	
D756,797 S *	5/2016	Fine	D9/500
9,394,072 B2 *	7/2016	Patcheak	B65D 1/0276
D799,967 S *	10/2017	Wade	D9/500
D807,757 S *	1/2018	Feletto	D9/558
D829,552 S *	10/2018	Han	D9/503

\* cited by examiner

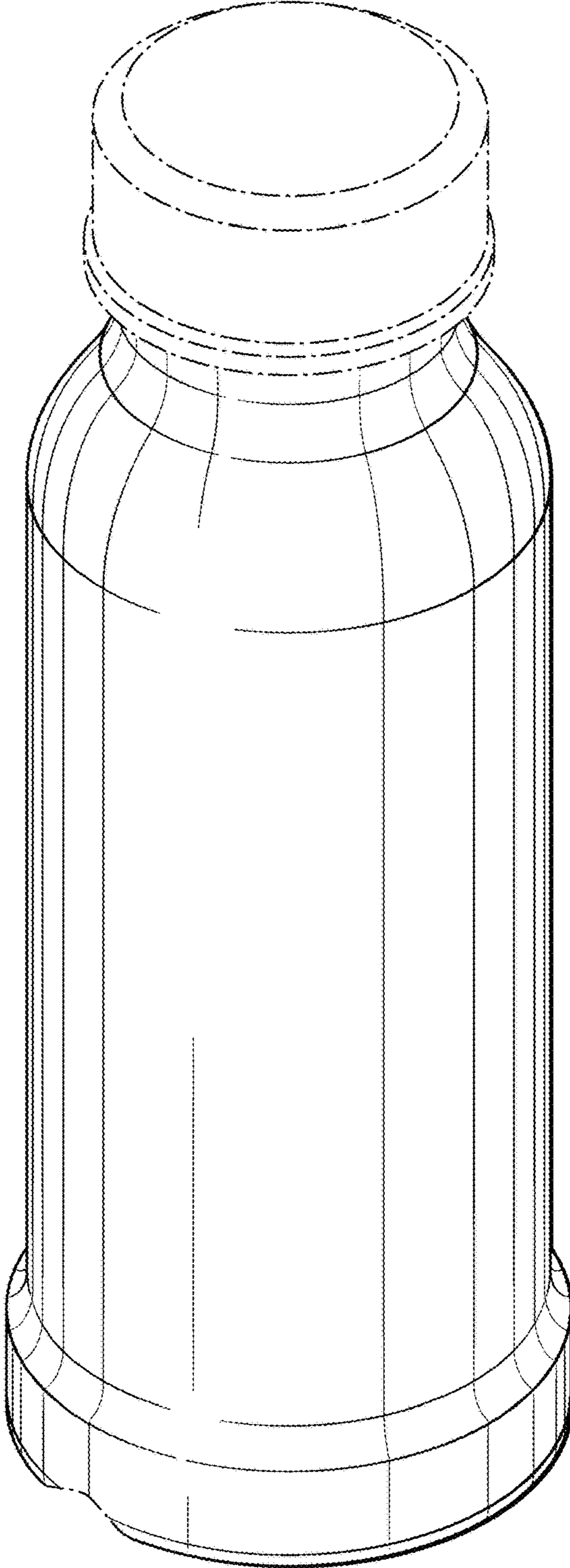


FIG. 1

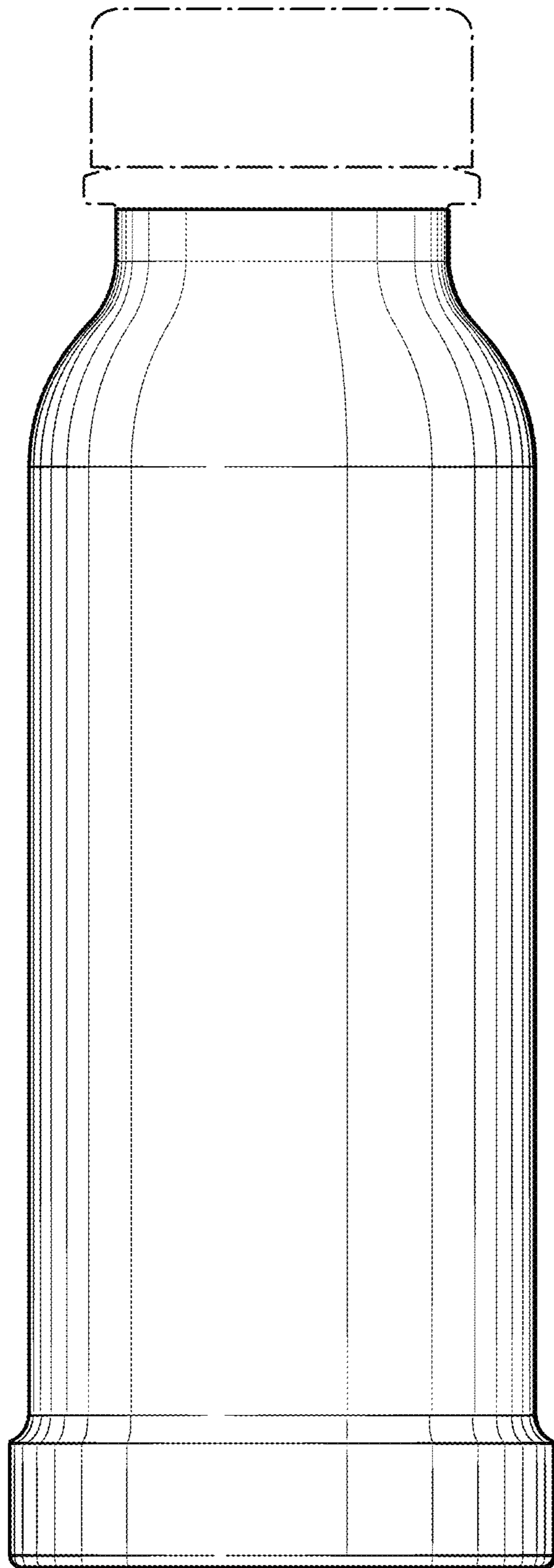


FIG. 2

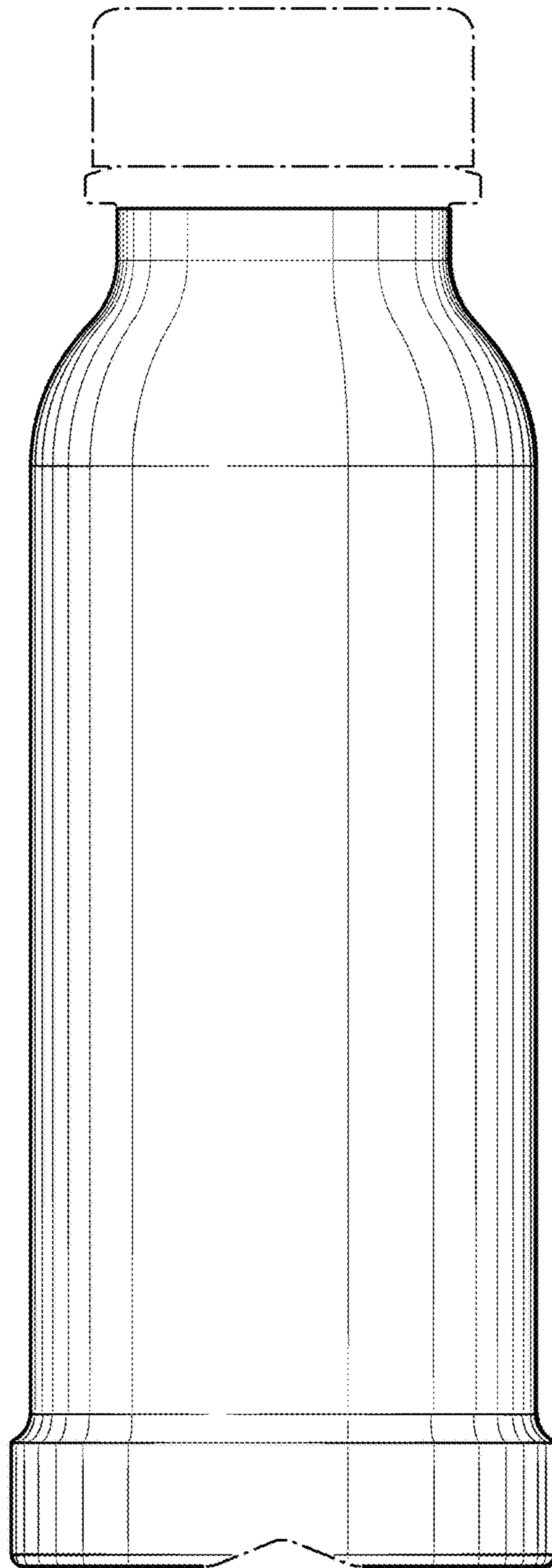


FIG. 3

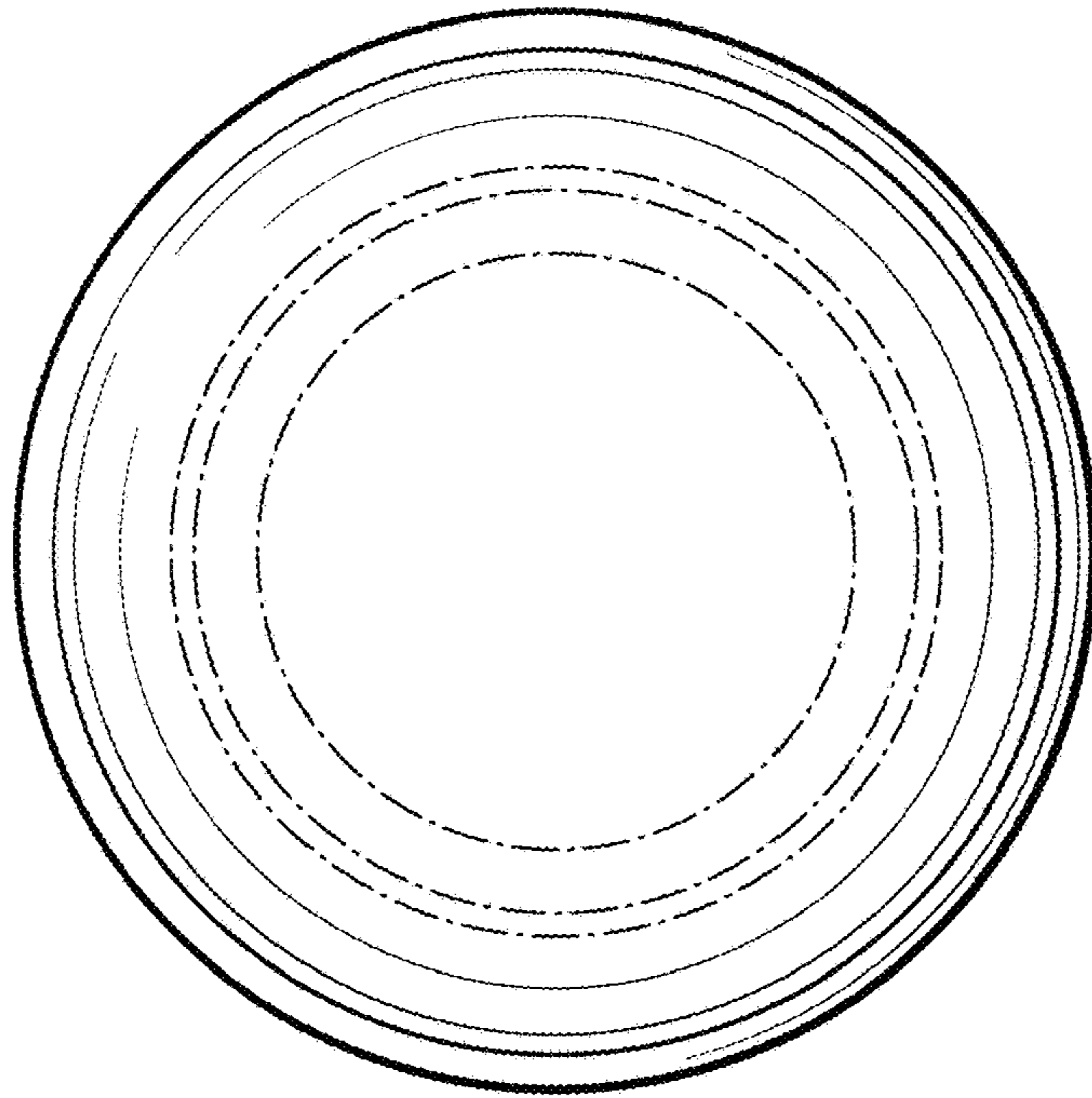


FIG. 4

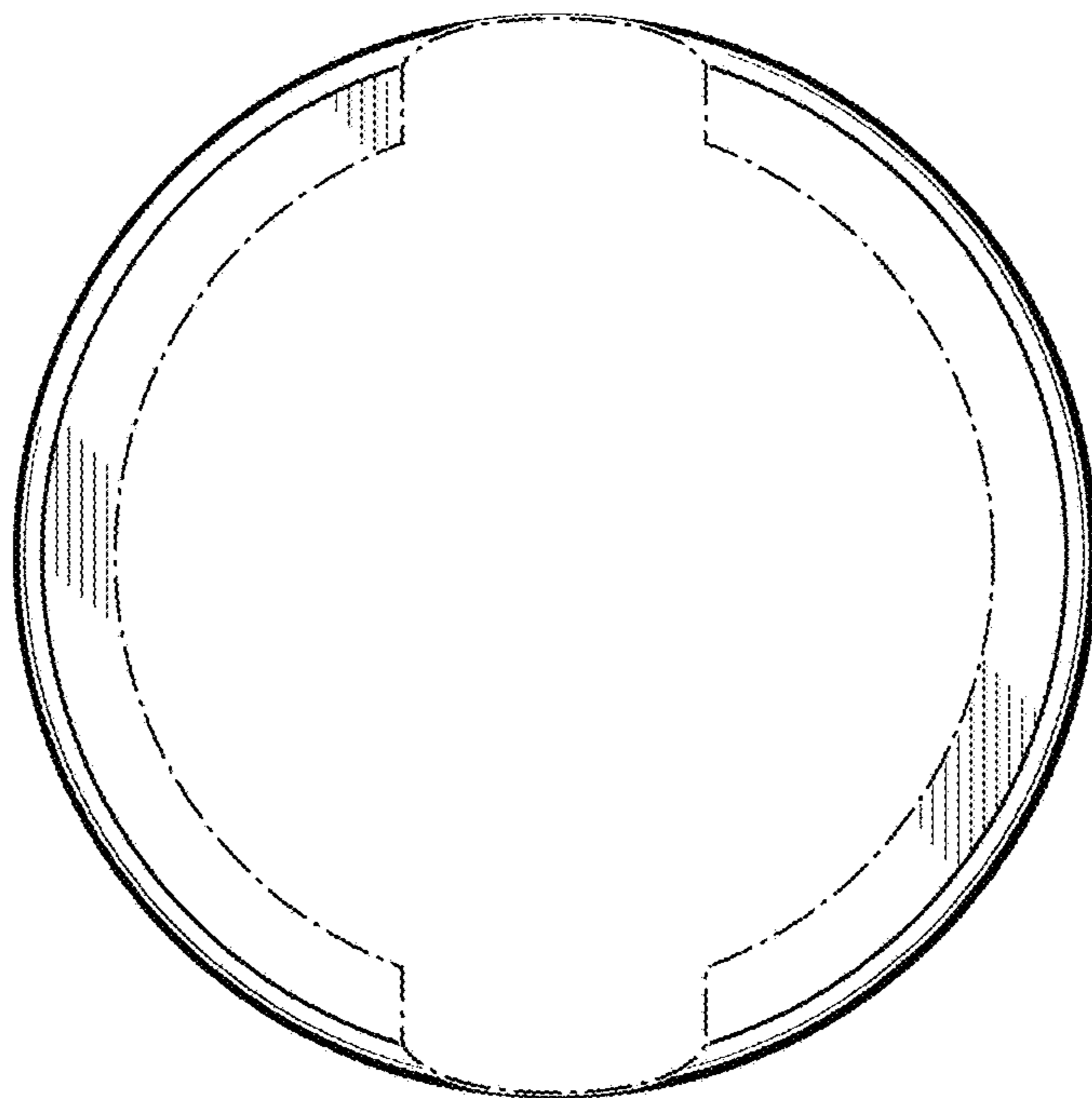


FIG. 5

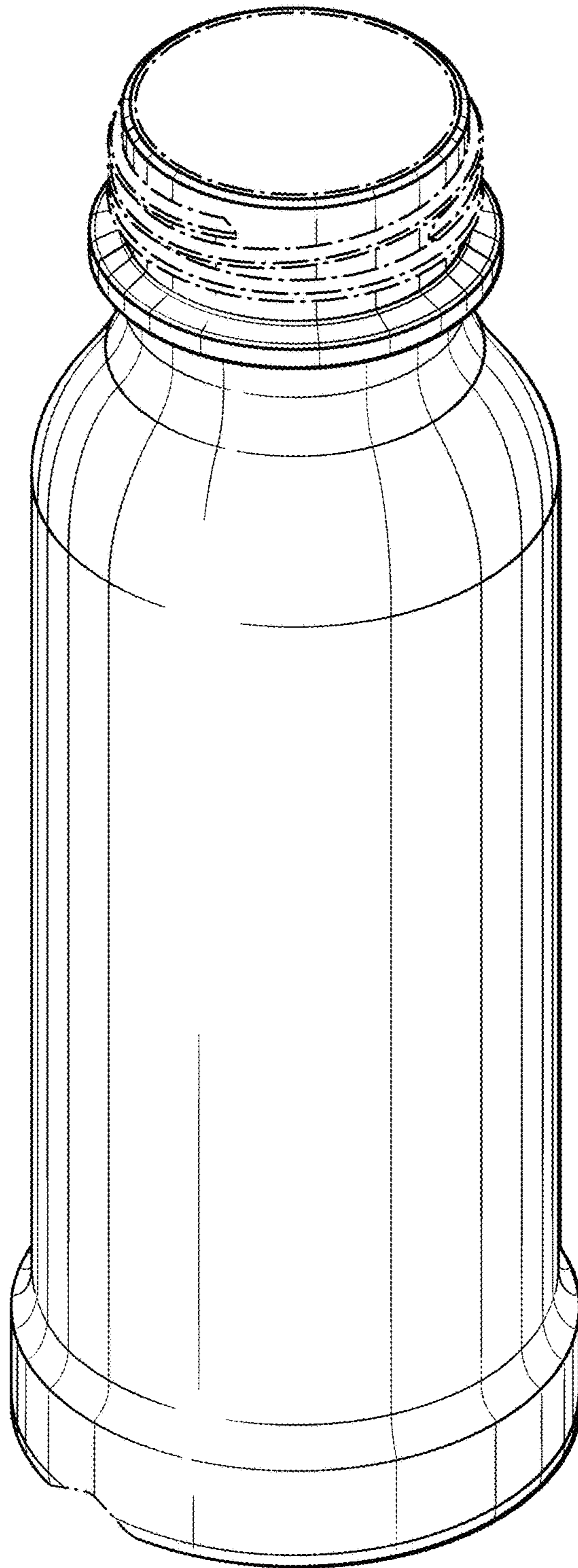


FIG. 6

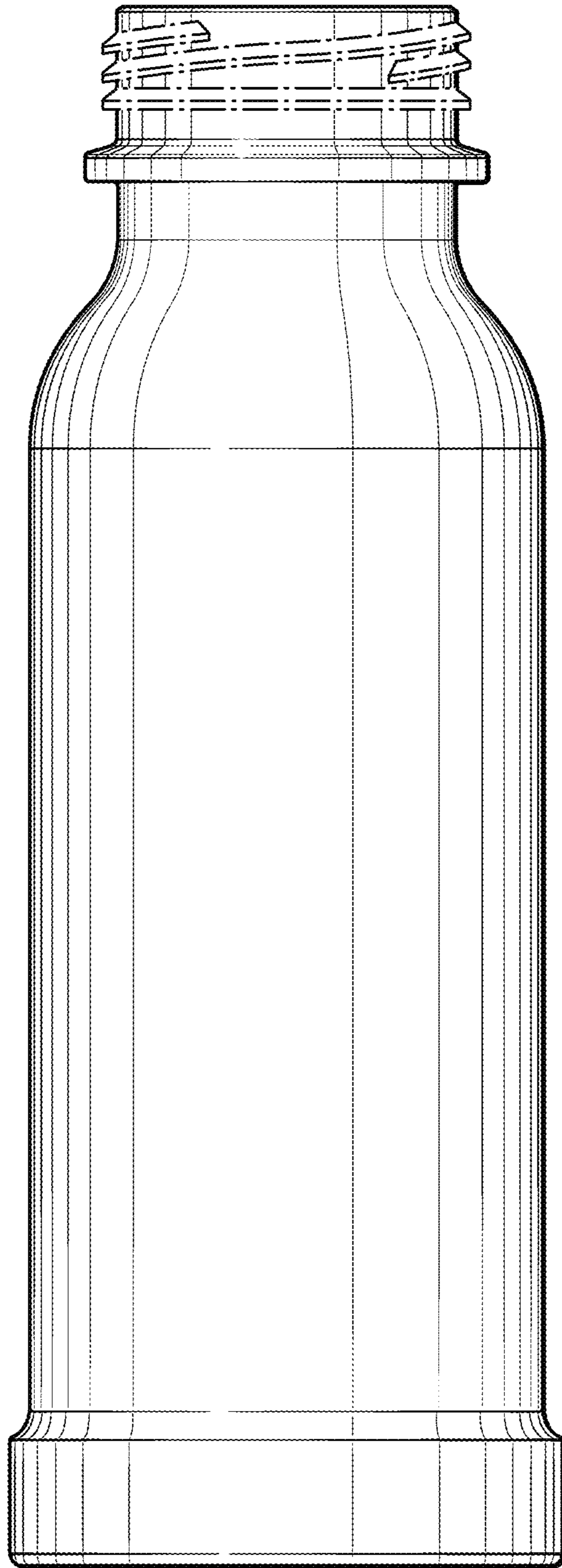


FIG. 7



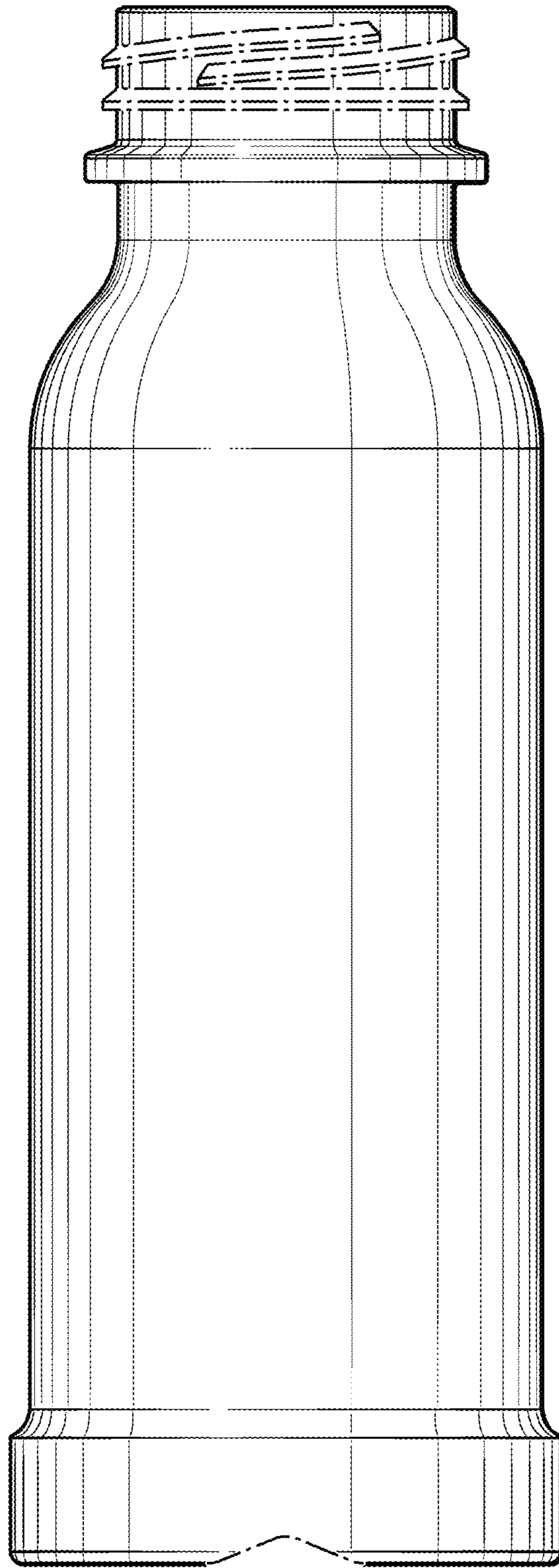


FIG. 8

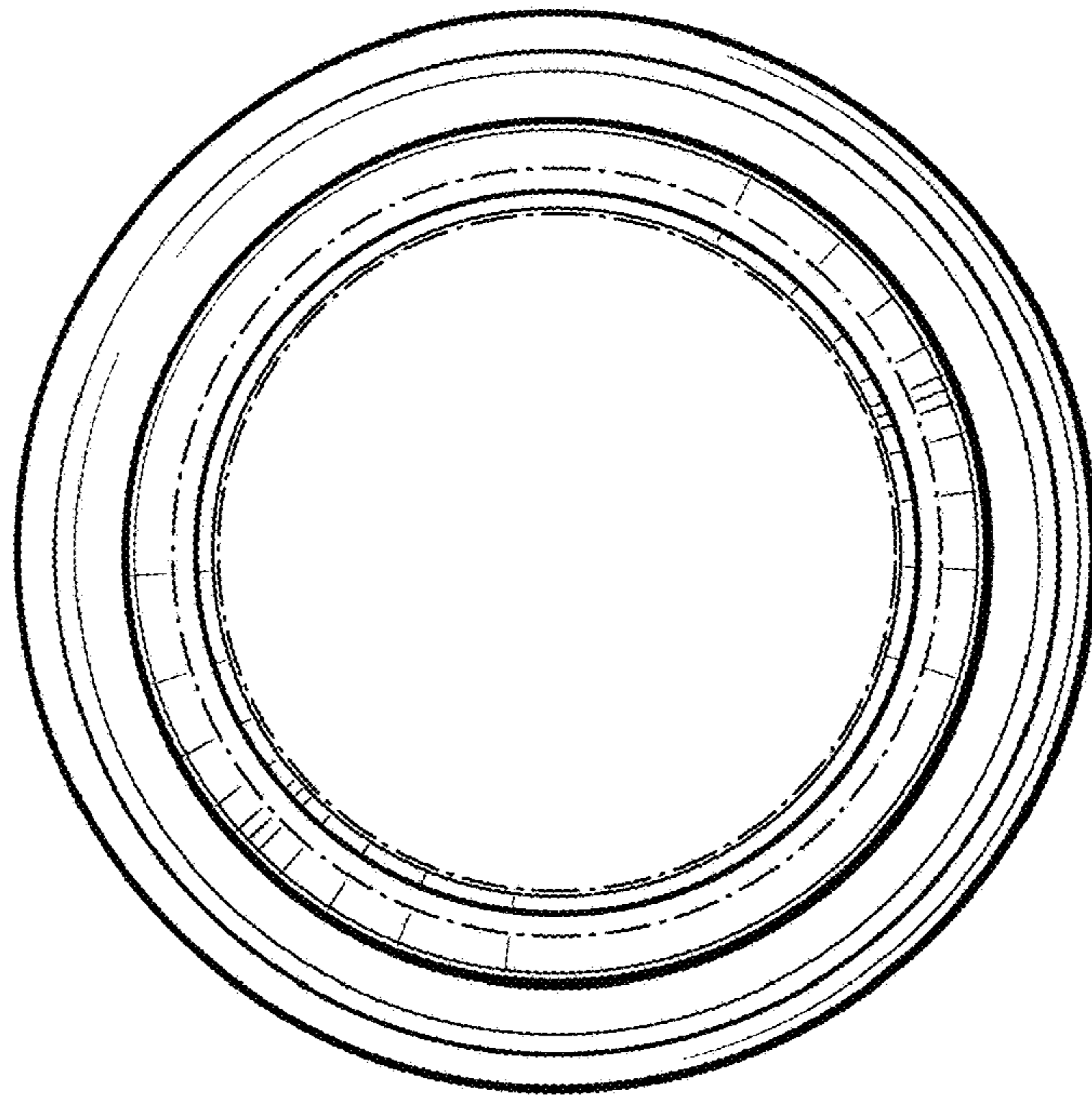


FIG. 9

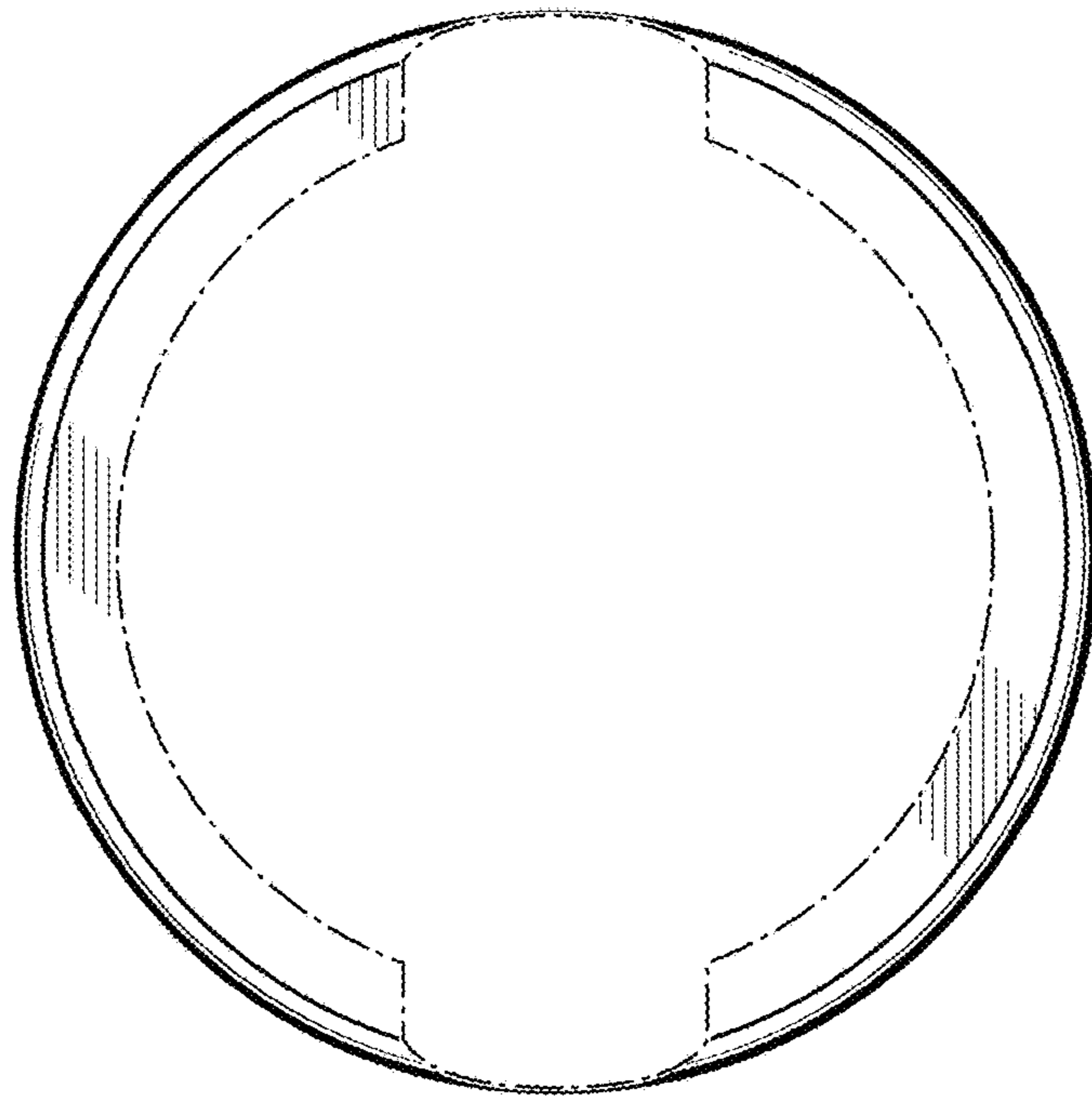


FIG. 10

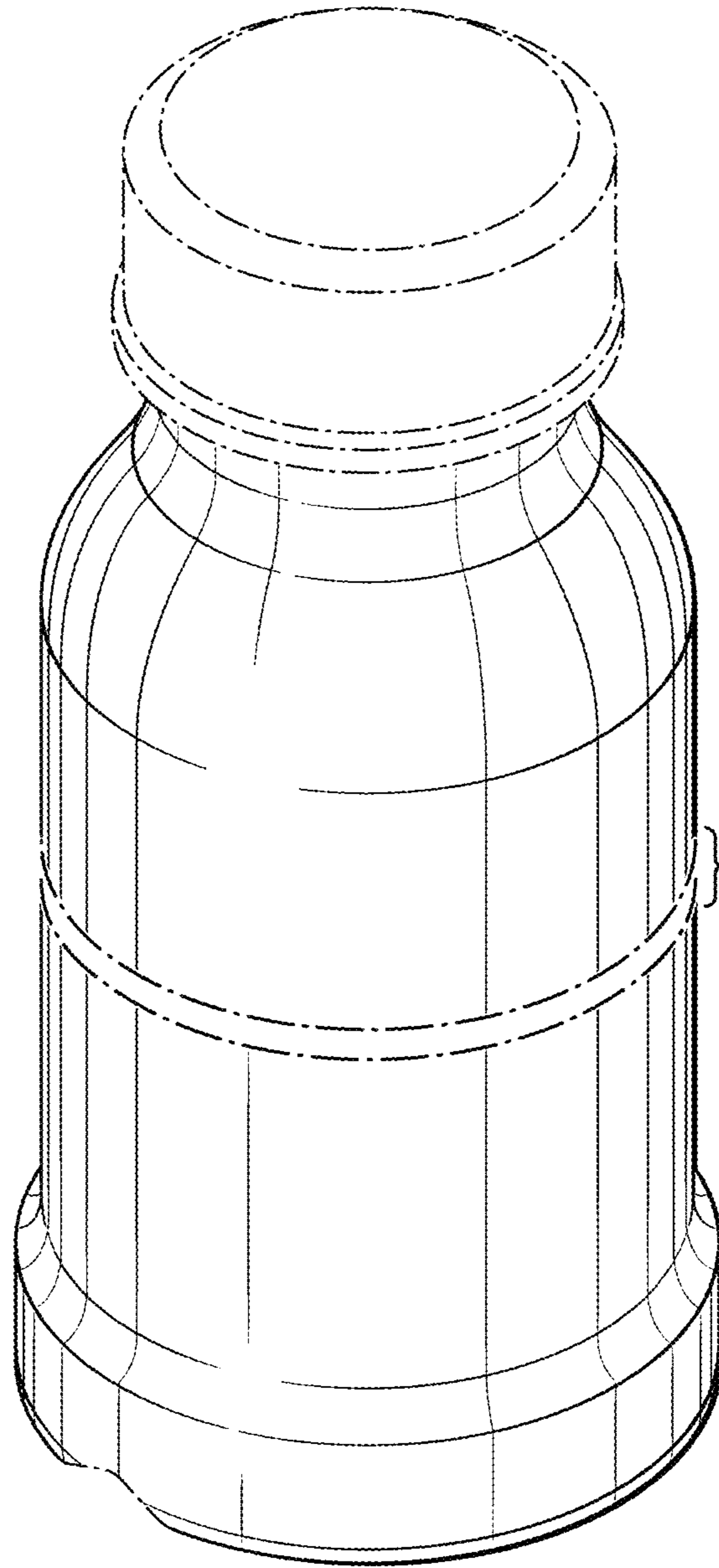


FIG. 11

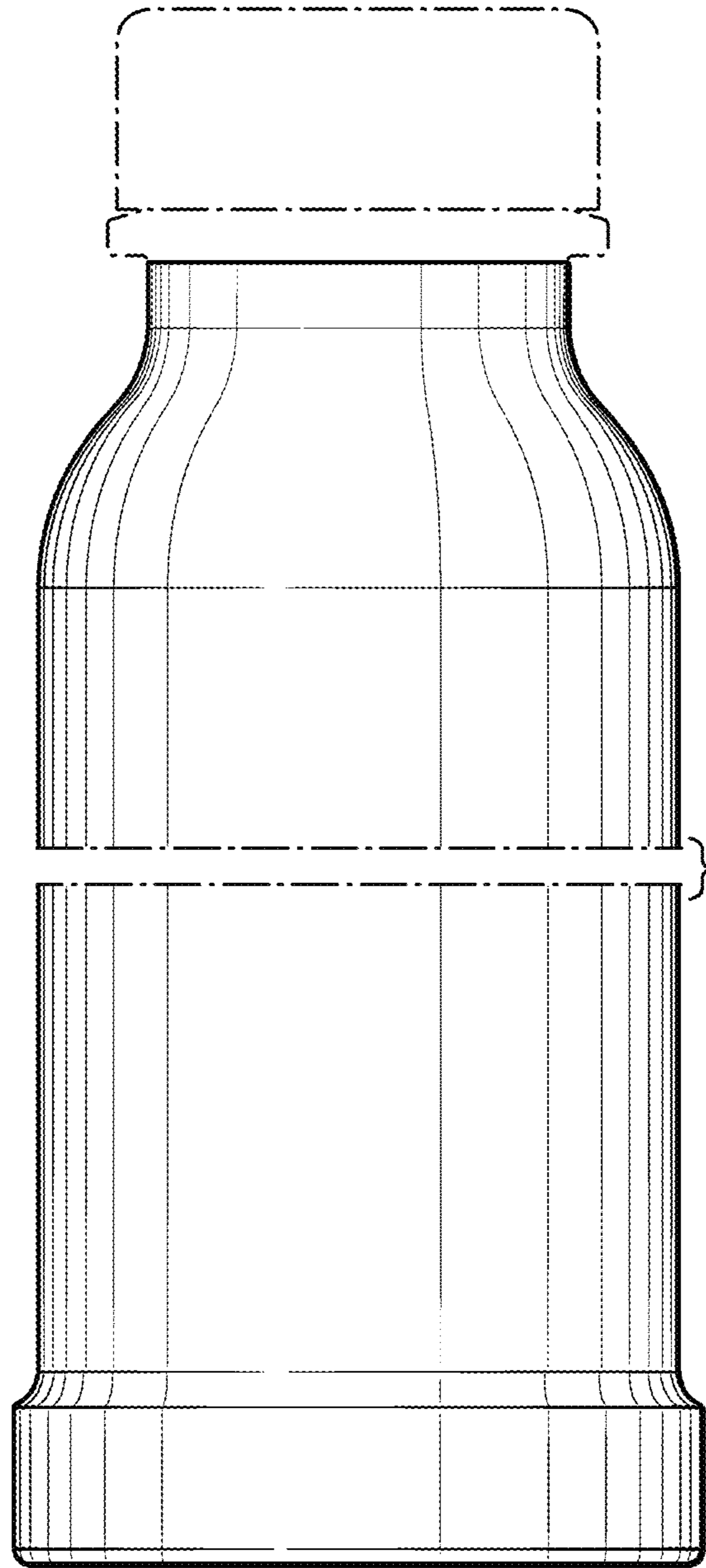


FIG. 12

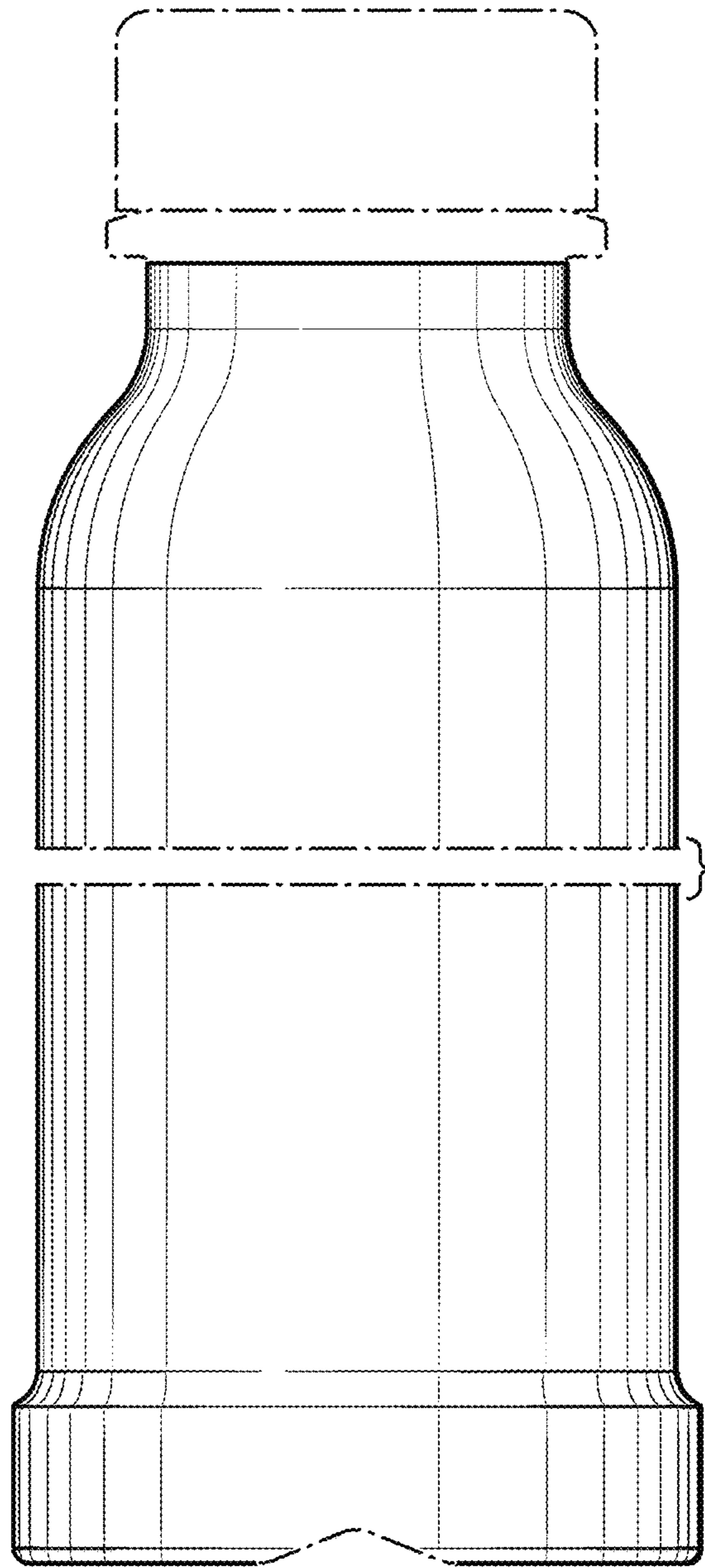


FIG. 13

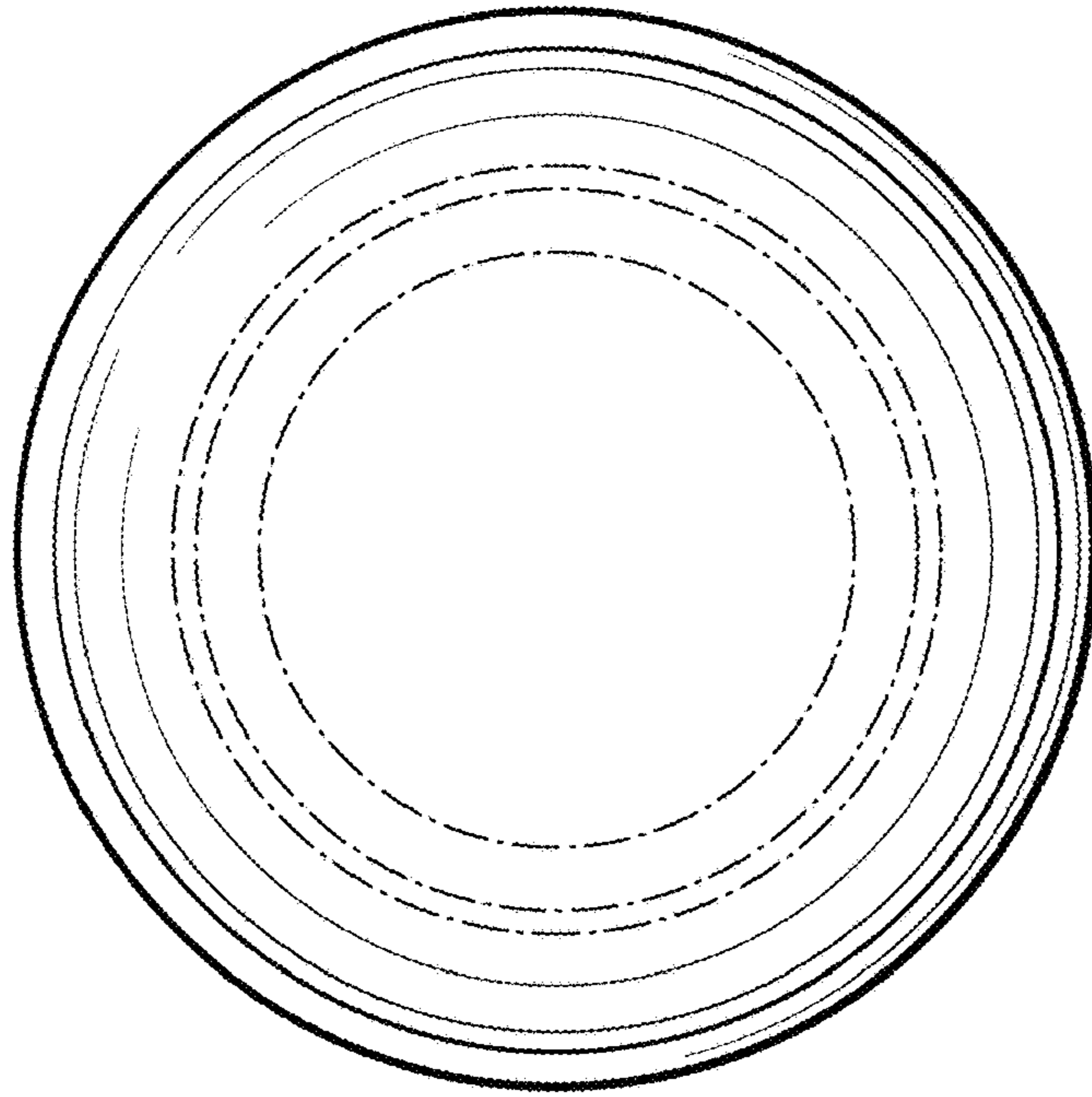


FIG. 14

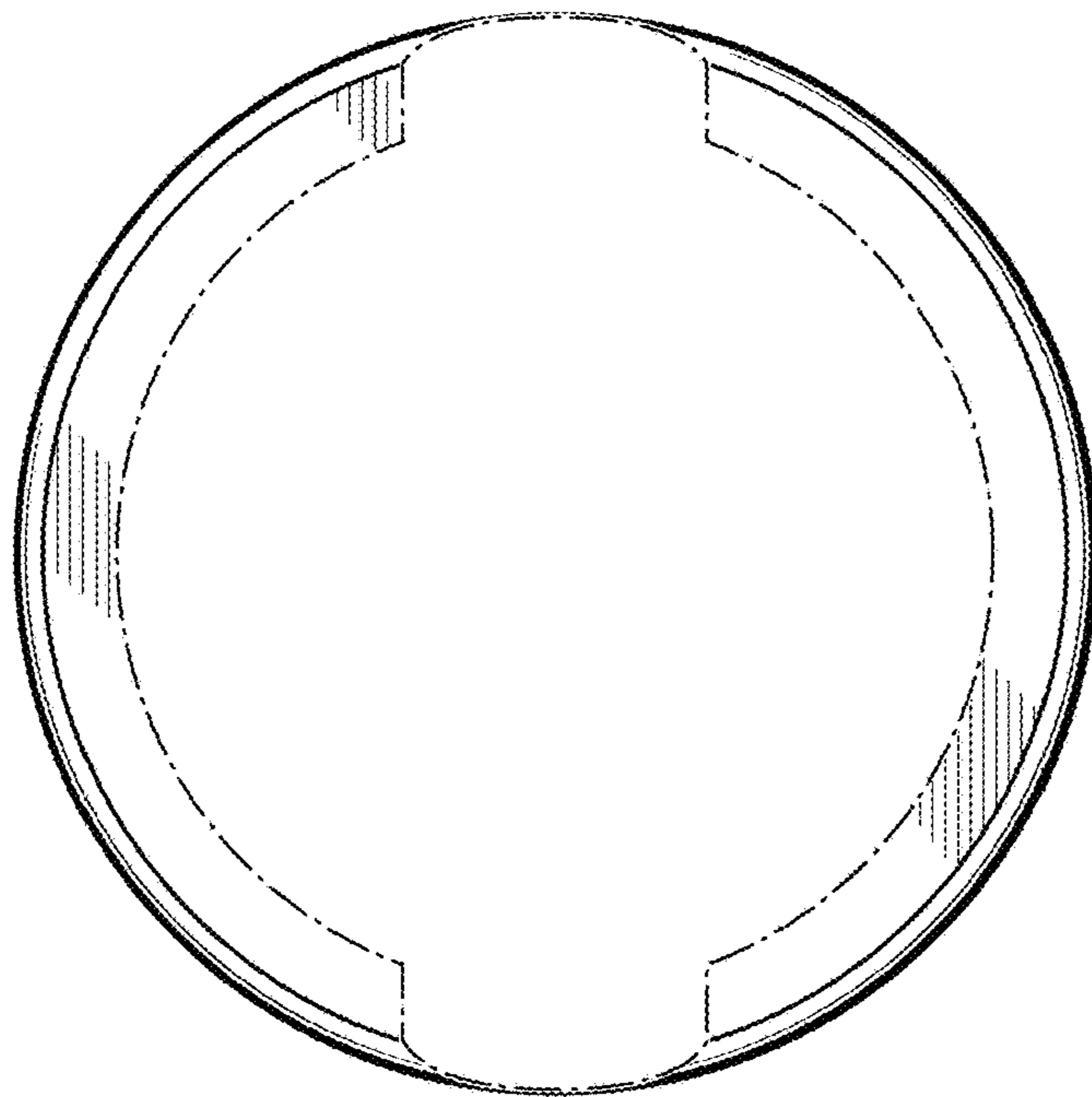


FIG. 15