



US00D842107S

(12) **United States Design Patent** (10) **Patent No.:** **US D842,107 S**
Bardet (45) **Date of Patent:** **** Mar. 5, 2019**

(54) **CLOSURE**
(71) Applicant: **Obrist Closures Switzerland GmbH,**
Reinach (CH)
(72) Inventor: **Philippe Bardet,** Gleize (FR)
(73) Assignee: **Obrist Closures Switzerland GmbH,**
Reinach (CH)
(**) Term: **15 Years**
(21) Appl. No.: **29/605,539**
(22) Filed: **May 26, 2017**

D363,671 S * 10/1995 Mueller D7/392.1
D511,685 S * 11/2005 Choi D9/449
D531,035 S * 10/2006 Pugne D9/453
D609,092 S * 2/2010 Laib D9/449
D624,414 S * 9/2010 Benoit-Gonin D9/449
D627,641 S * 11/2010 Mazurkiewicz D9/449
D630,093 S * 1/2011 Bardet D9/438
7,913,868 B2 * 3/2011 Dolan B65D 47/0847
220/254.2
D641,240 S * 7/2011 Rognard D9/443
D671,001 S * 11/2012 Wisniewski D9/449
D727,684 S * 4/2015 Forsyth D7/510
D743,789 S * 11/2015 Wisniewski D9/447
D784,808 S * 4/2017 Berroa Garcia D9/434
D785,402 S * 5/2017 Shirley D7/392.1
D794,458 S * 8/2017 Lloyd D9/449

* cited by examiner

(30) **Foreign Application Priority Data**
Nov. 30, 2016 (EM) 003492610-0001
(51) **LOC (11) Cl.** **09-07**
(52) **U.S. Cl.**
USPC **D9/449**
(58) **Field of Classification Search**
USPC D9/414, 415, 424, 425, 434, 435, 436,
D9/443, 444-452, 454-456, 499, 529,
D9/682, 685, 686; D7/387, 391, 392,
D7/392.1, 396.1, 396.2, 396.3, 396.4,
D7/397, 398, 401.1, 507, 509-511, 538,
D7/900; D3/202, 203.2; D28/91, 91.1
CPC .. A61J 1/00; A61J 1/1412; B65D 1/00; B65D
1/02; B65D 1/10; B65D 1/46; B65D
2585/56; B65D 2585/545; B65D 41/00;
B65D 41/38; B65D 41/56; B65D 41/62;
B65D 47/00; B65D 47/06; B65D 47/08;
B65D 2543/00046; B65D 2543/00092;
B65D 2543/00296; B65D 5/46; B65D
2251/00
See application file for complete search history.

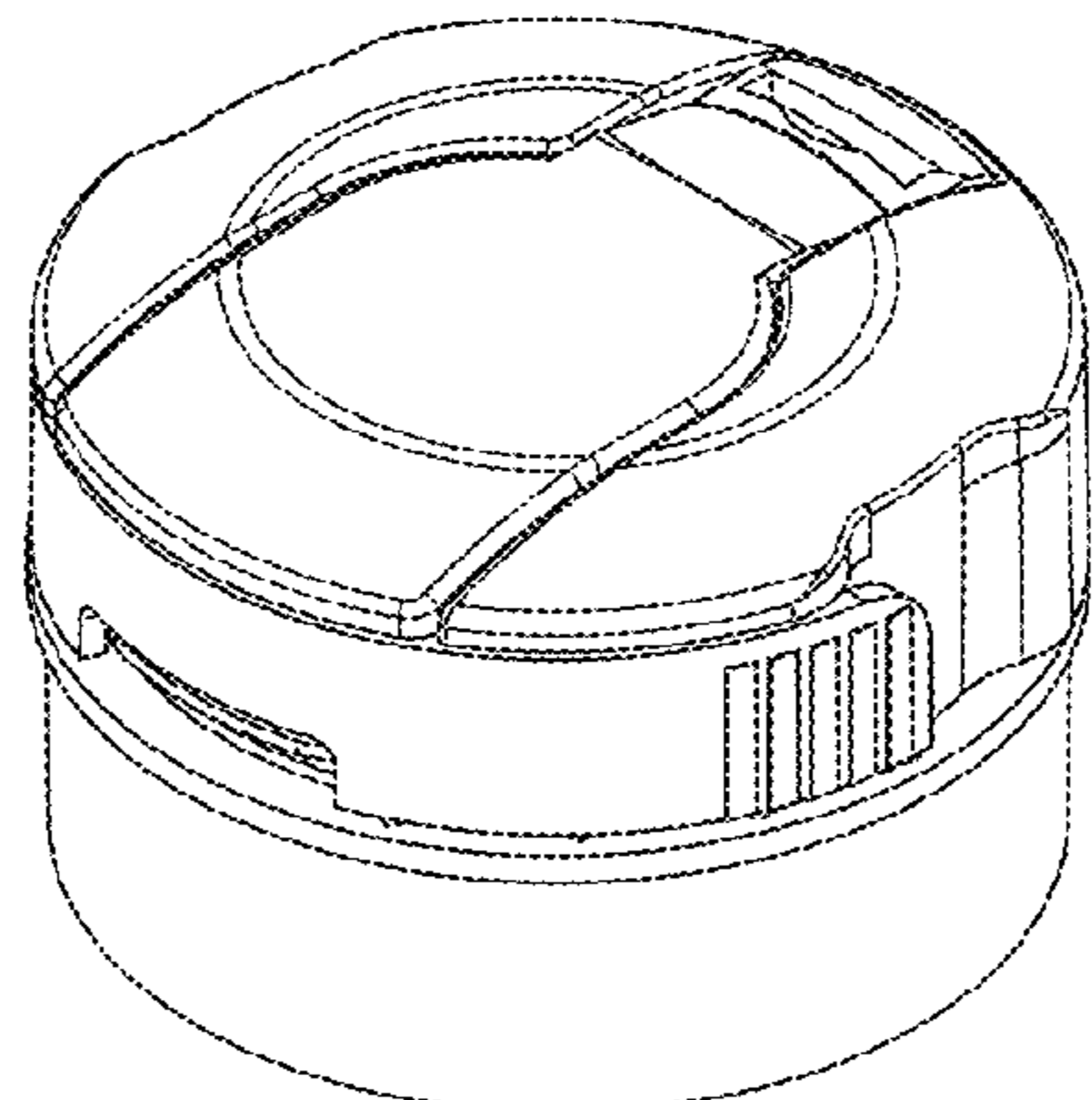
Primary Examiner — Michael A. Pratt
Assistant Examiner — Wendy L Arminio
(74) *Attorney, Agent, or Firm* — Banner & Witcoff, Ltd.

(56) **References Cited**
U.S. PATENT DOCUMENTS
1,863,796 A * 6/1932 Jackson B65D 41/36
215/252
D355,121 S * 2/1995 Kohl D9/447

(57) **CLAIM**
The ornamental design for a closure, as shown and described.

DESCRIPTION
FIG. 1 is a top, rear, right perspective view of a closure showing my new design;
FIG. 2 is a top, front, right perspective view thereof;
FIG. 3 is a rear view thereof;
FIG. 4 is a right side view thereof wherein the alternate side view is a mirror image of FIG. 4;
FIG. 5 is a front view thereof; and,
FIG. 6 is a top view thereof.
The broken lines depicting the remainder of a closure show features that form no part of the claimed design.

1 Claim, 1 Drawing Sheet



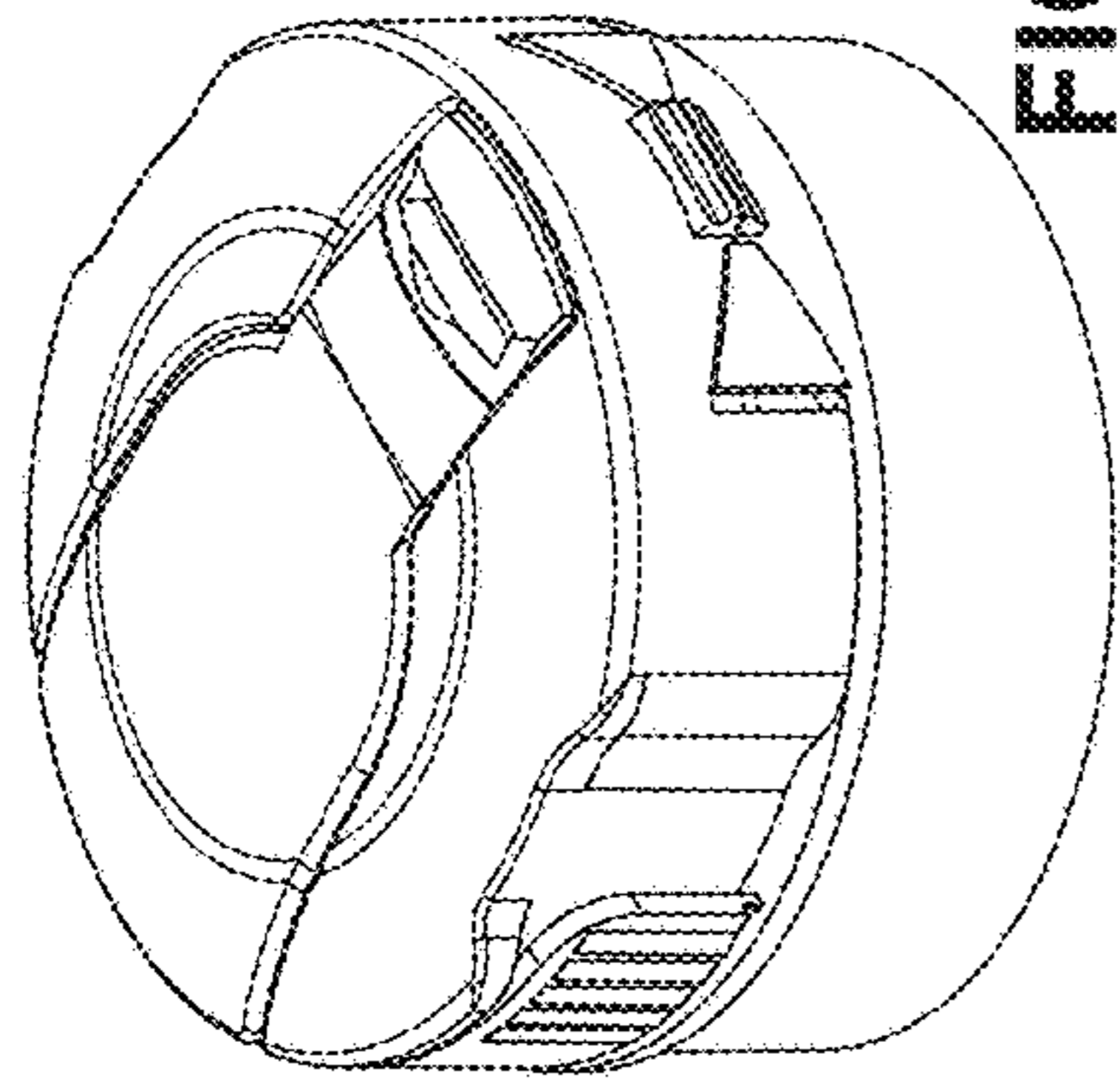


FIG. 1

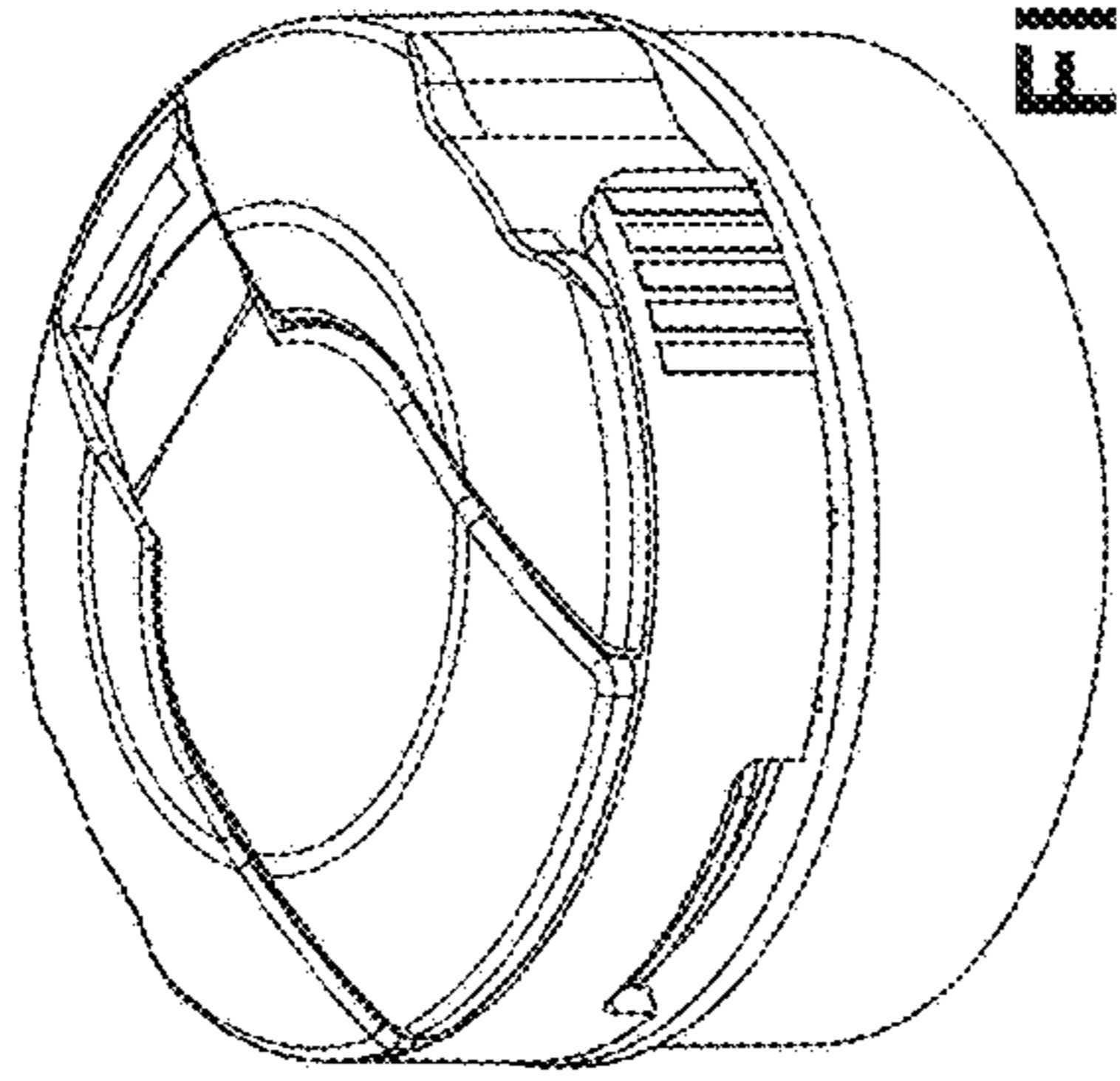


FIG. 2

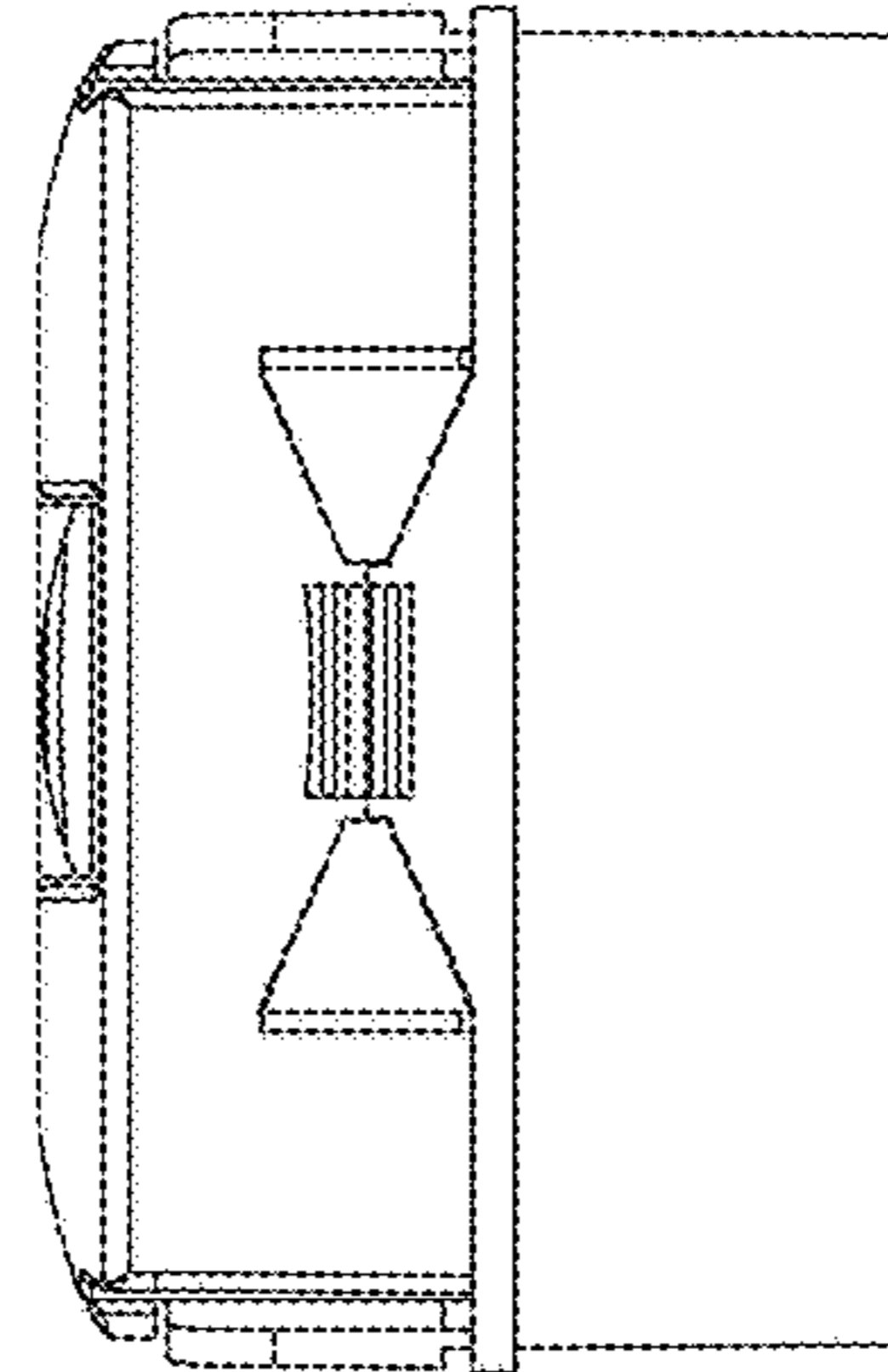


FIG. 3

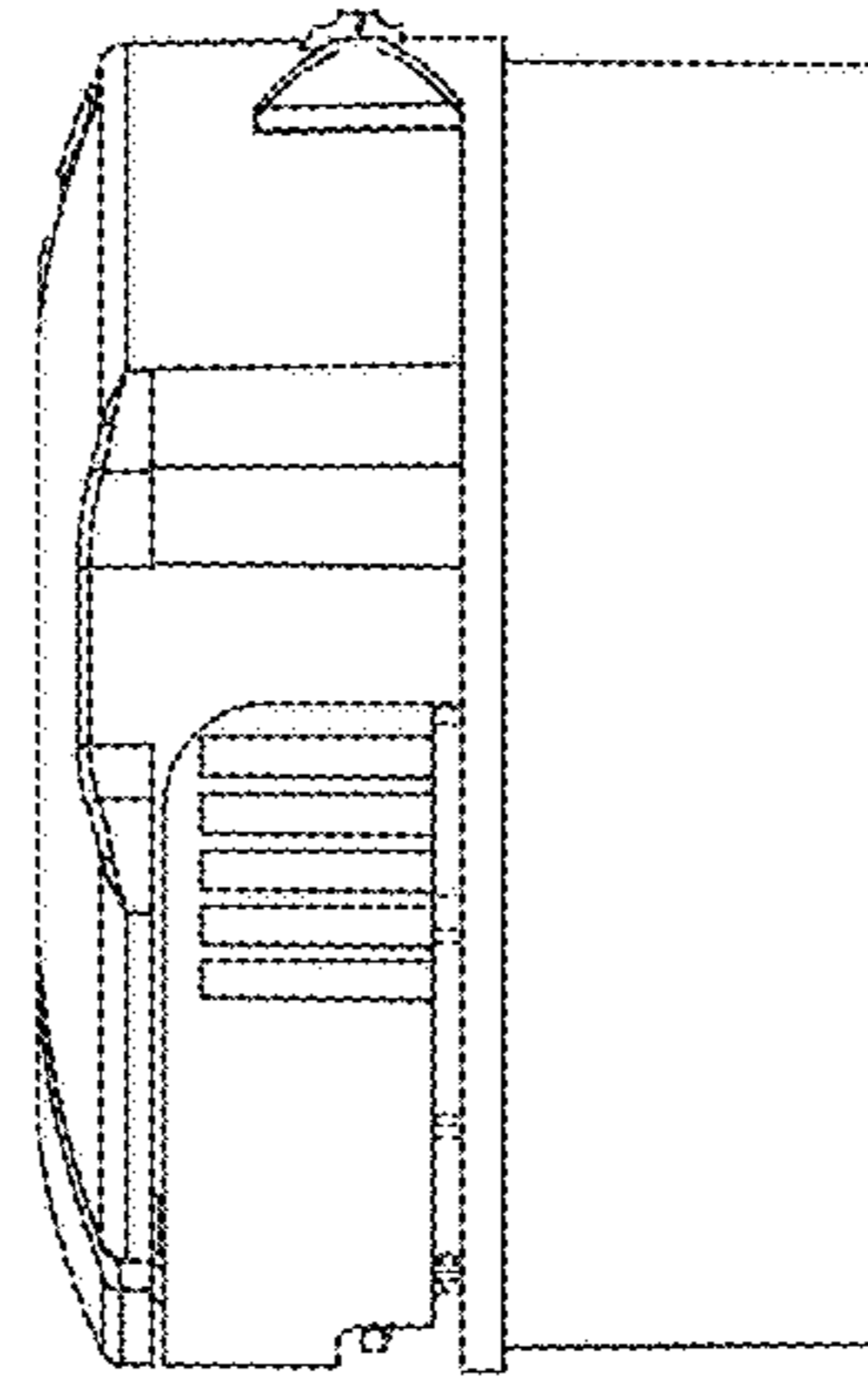


FIG. 4

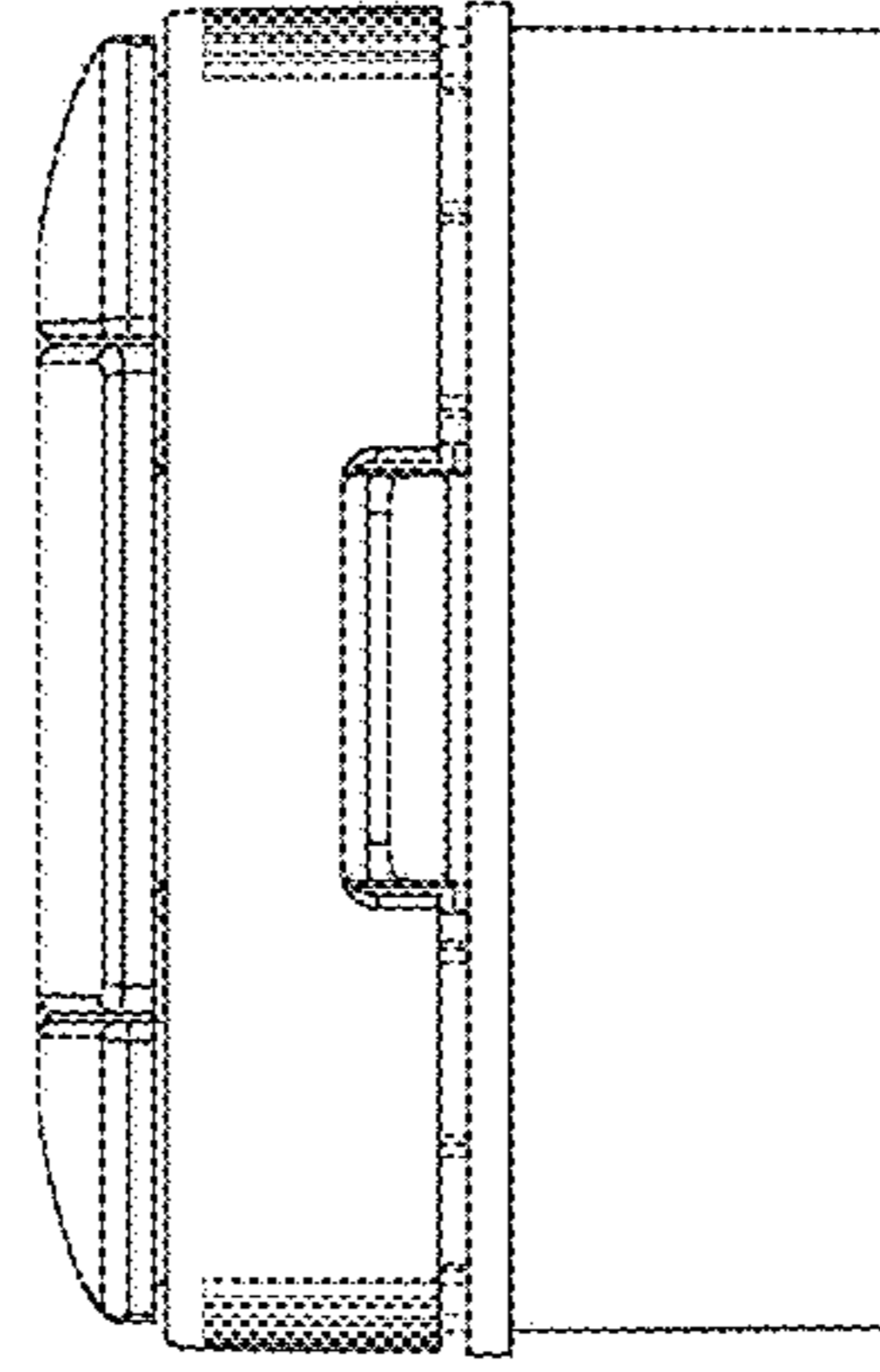


FIG. 5

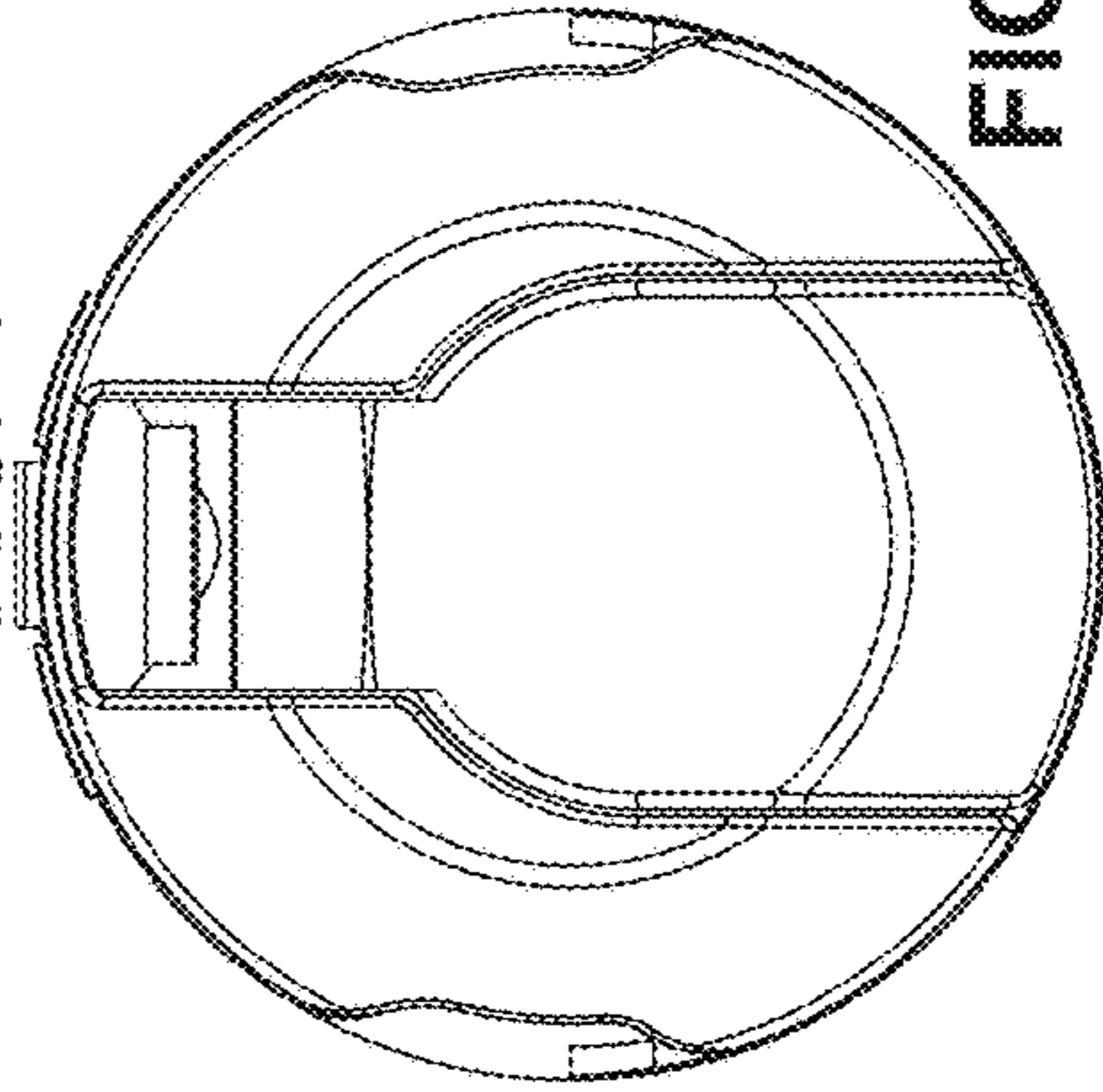


FIG. 6