



US00D842106S

(12) **United States Design Patent** (10) **Patent No.:** **US D842,106 S**  
**Palin et al.** (45) **Date of Patent:** **\*\* Mar. 5, 2019**

(54) **BOTTLE**

(71) Applicant: **PepsiCo, Inc.**, Purchase, NY (US)

(72) Inventors: **Drew Alexander Read Palin**, Kenilworth, IL (US); **Xavi Cortadellas**, Miami Beach, FL (US); **Sean Joseph Huls**, Chicago, IL (US); **Tucker H. Fort**, Brooklyn, NY (US); **Alexander Ian James Wastney**, Brooklyn, NY (US); **John Traub**, Brooklyn, NY (US); **Boris Kontorovich**, Brooklyn, NY (US); **Melissa L. Anderson**, Bradenton, FL (US); **Rebecca K. Randell**, Leicestershire (GB)

(73) Assignee: **PepsiCo, Inc.**, Purchase, NY (US)

(\*\*) Term: **15 Years**

(21) Appl. No.: **29/539,288**

(22) Filed: **Sep. 11, 2015**

(51) **LOC (11) Cl.** ..... **09-07**

(52) **U.S. Cl.**  
USPC ..... **D9/447; D9/436**

(58) **Field of Classification Search**  
USPC ..... D3/201, 202, 203.1, 203.2, 396.2;  
D7/300, 300.1, 395, 396.2, 393, 396.4,  
(Continued)

(56) **References Cited**

U.S. PATENT DOCUMENTS

D402,889 S 12/1998 Rutter  
D405,693 S 2/1999 Bretz et al.  
(Continued)

*Primary Examiner* — Eric L Goodman

*Assistant Examiner* — Catherine S Posthauer

(74) *Attorney, Agent, or Firm* — Sterne, Kessler, Goldstein & Fox P.L.L.C

(57) **CLAIM**

The ornamental design for a bottle, as shown and described.

**DESCRIPTION**

FIG. 1 is a top front perspective view of a bottle showing our new the claimed design;  
FIG. 2 is a bottom front perspective view thereof;  
FIG. 3 is a front view thereof;  
FIG. 4 is a rear view thereof;  
FIG. 5 is a left side view thereof;  
FIG. 6 is a right side view thereof;  
FIG. 7 is a top view thereof;  
FIG. 8 is a bottom view thereof;  
FIG. 9 is a second top view thereof;  
FIG. 10 is a third top view thereof;  
FIG. 11 is a fourth top view thereof;  
FIG. 12 is a fifth top view thereof;  
FIG. 13 is a sixth top view thereof;  
FIG. 14 is a seventh top view thereof;  
FIG. 15 is an eighth top view thereof;  
FIG. 16 is a ninth top view thereof;  
FIG. 17 is a tenth top view thereof;  
FIG. 18 is an eleventh top view thereof;  
FIG. 19 is a twelfth top view thereof;  
FIG. 20 is a thirteenth top view thereof;  
FIG. 21 is a fourteenth top view thereof; and,  
FIG. 22 is a fifteenth top view thereof.

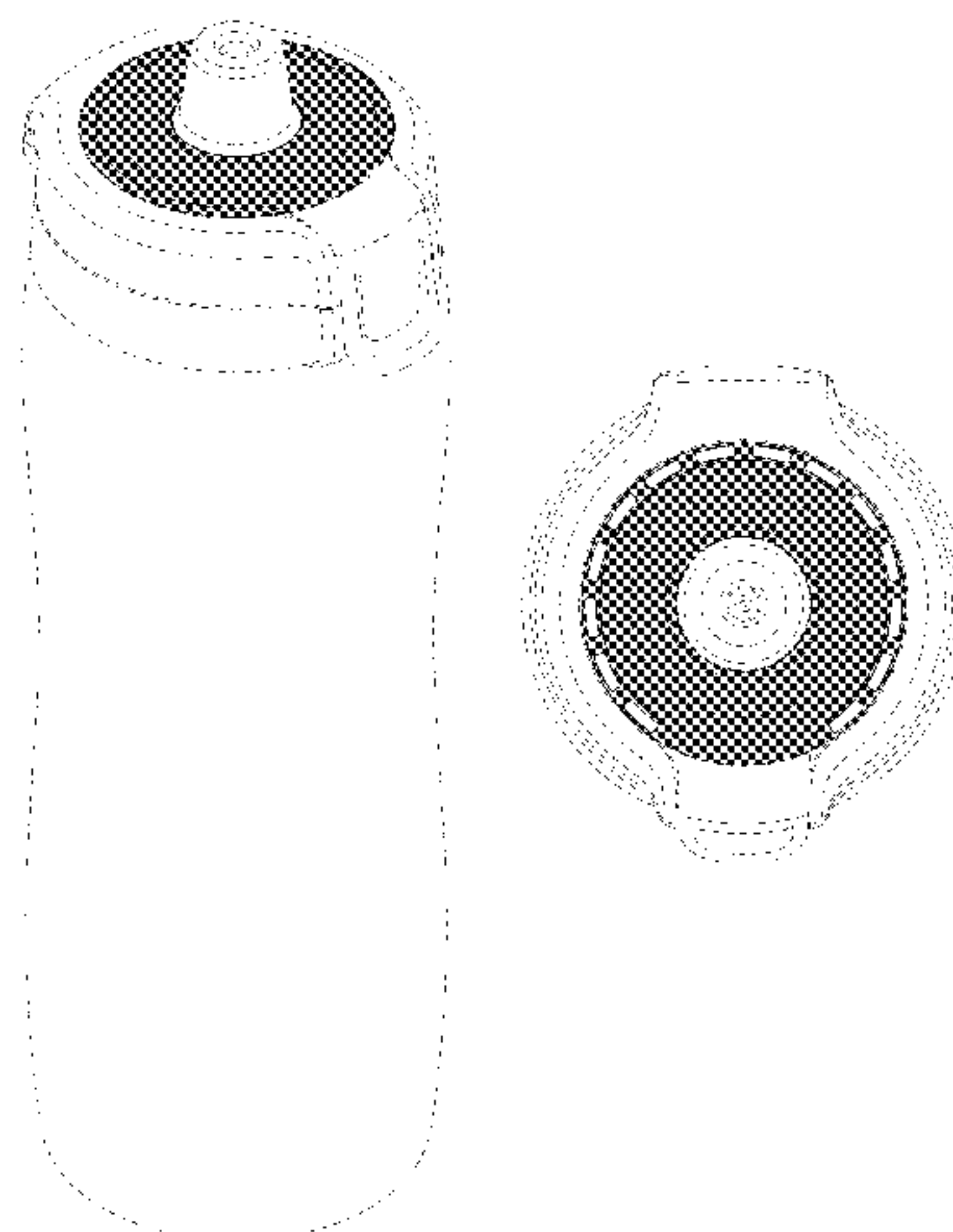
The appearance of the bottle sequentially transitions between the images shown in FIGS. 7 and 9-22. The process or period in which one image transitions to another forms no part of the claimed design.

The dashed broken lines in the figures show portions of the bottle cap, bottle, or environment that form no part of the claimed design.

The dot-dash broken lines in the figures show boundaries of the claimed design.

The gray tone in the drawings is included to enable the depiction of areas emitting light and otherwise forms no part of the claimed design.

**1 Claim, 22 Drawing Sheets**



(58) **Field of Classification Search**

USPC ..... D7/400, 509, 511, 591, 602, 608, 619.1,  
 D7/624.1, 624.2, 629, 630; D9/434, 449,  
 D9/450, 452, 453, 454, 500; D12/114,  
 D12/197, 202, 207, 208, 218, 220;  
 D21/524, 525, 532; D23/206, 259, 250,  
 D23/261; D24/121, 127, 199, 224;  
 D28/7, 76, 78, 82, 85, 91; D34/10, 11;  
 D8/354; D26/26, 28, 139  
 CPC ..... B65D 50/041; B65D 23/00; B65D 1/00;  
 B65D 1/02; B65D 1/0223; B65D 1/0207;  
 B65D 1/0246; B65D 1/08; B65D 1/10;  
 B65D 2501/00; B65D 2501/0009; B65D  
 83/06; A61J 1/03; A61J 1/05; A47G  
 19/22; A47G 19/2205; A47G 19/2266  
 See application file for complete search history.

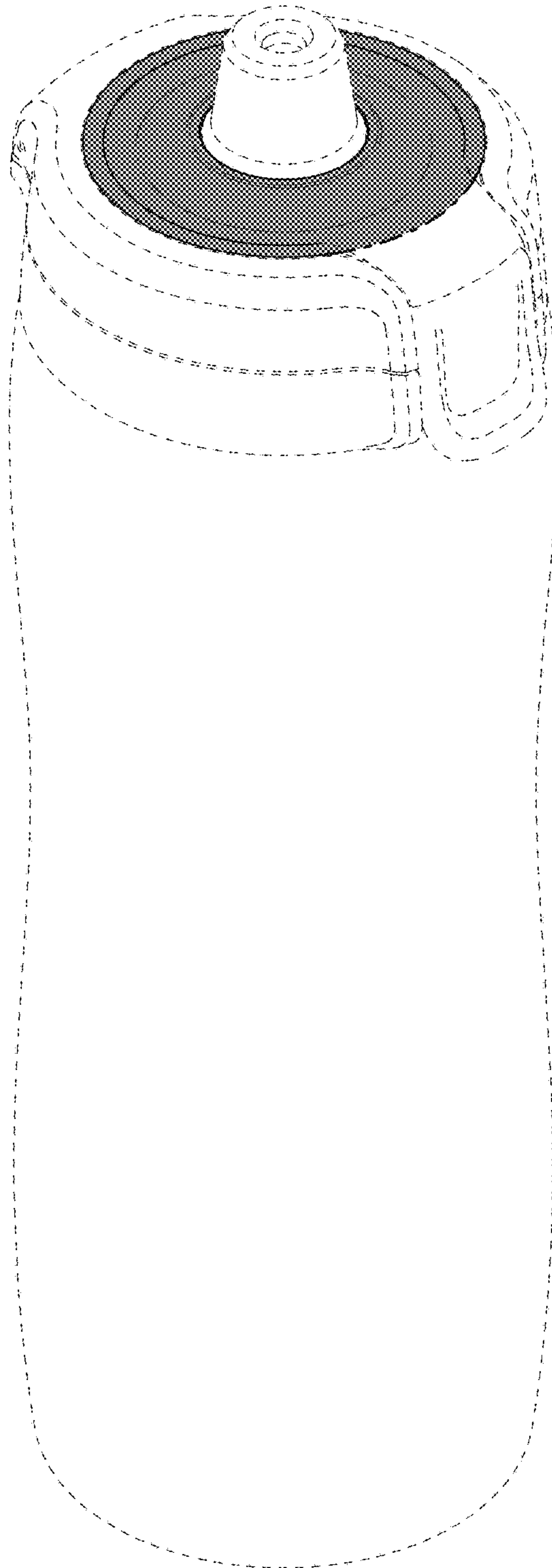
8,051,674 B2 11/2011 Roth et al.  
 D649,878 S 12/2011 Weiss et al.  
 D655,131 S 3/2012 Nilsson  
 D655,569 S 3/2012 Lipson  
 D657,194 S 4/2012 Mcintire et al.  
 D658,057 S 4/2012 Donat  
 D658,059 S 4/2012 Bailey  
 D658,431 S 5/2012 Gilbert  
 D659,333 S 5/2012 Morris, Jr.  
 D660,696 S 5/2012 Weiss  
 D661,186 S 6/2012 Snyder  
 D669,781 S \* 10/2012 Fields ..... D9/435  
 D677,161 S \* 3/2013 Titherington ..... B65D 50/041  
 D9/443  
 D677,523 S \* 3/2013 Blckert ..... D7/392.1  
 D691,420 S \* 10/2013 McIntire ..... D7/510  
 D693,765 S \* 11/2013 Workman ..... D13/110  
 D697,301 S \* 1/2014 Barbour, Jr. .... D3/203.1  
 D721,920 S \* 2/2015 Coon ..... D7/510  
 D731,240 S \* 6/2015 Bell ..... D7/300.2  
 D736,562 S 8/2015 Green et al.  
 D742,698 S \* 11/2015 Kellow, Jr. .... D7/553.8  
 D749,416 S \* 2/2016 Herbst ..... D9/447  
 D752,435 S 3/2016 Willows et al.  
 D760,027 S 6/2016 Meyers et al.  
 D762,475 S \* 8/2016 Turner ..... D9/434  
 D774,357 S \* 12/2016 Palin ..... D7/510  
 D777,529 S \* 1/2017 Kellow, Jr. .... D7/624.1  
 D781,652 S \* 3/2017 Matthis ..... D7/300.2  
 2014/0144870 A1 5/2014 Brosius  
 2015/0008231 A1 \* 1/2015 Kellow, Jr. .... A47G 19/065  
 220/575  
 2016/0200486 A1 7/2016 Meyers et al.

(56) **References Cited**

U.S. PATENT DOCUMENTS

D408,221 S 4/1999 Asberg  
 D418,363 S 1/2000 Barnes et al.  
 D427,852 S 7/2000 Tal et al.  
 6,082,575 A 7/2000 Skoskiewicz et al.  
 D535,144 S 1/2007 George et al.  
 D582,730 S \* 12/2008 Kim ..... D7/615  
 D600,120 S \* 9/2009 Kawamura ..... D9/452  
 D621,705 S \* 8/2010 Breckan ..... D9/443  
 D643,718 S \* 8/2011 Fields ..... D9/435  
 D649,049 S \* 11/2011 Fields ..... D7/387

\* cited by examiner



**FIG. 1**

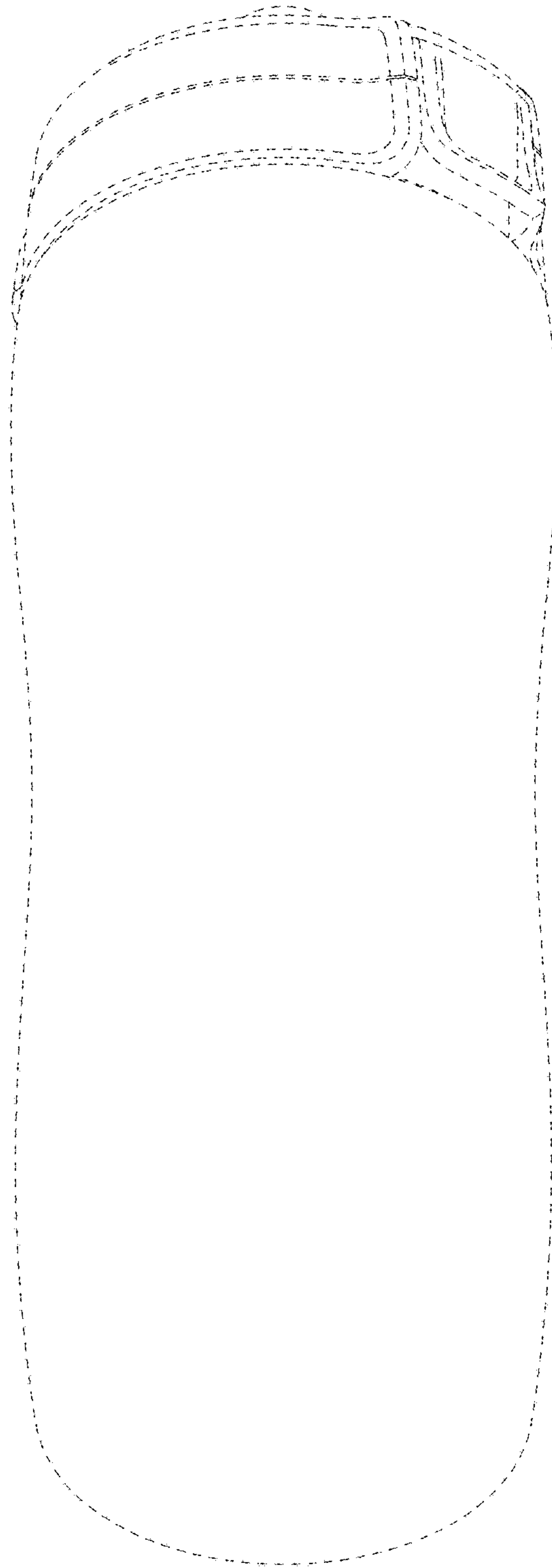


FIG. 2

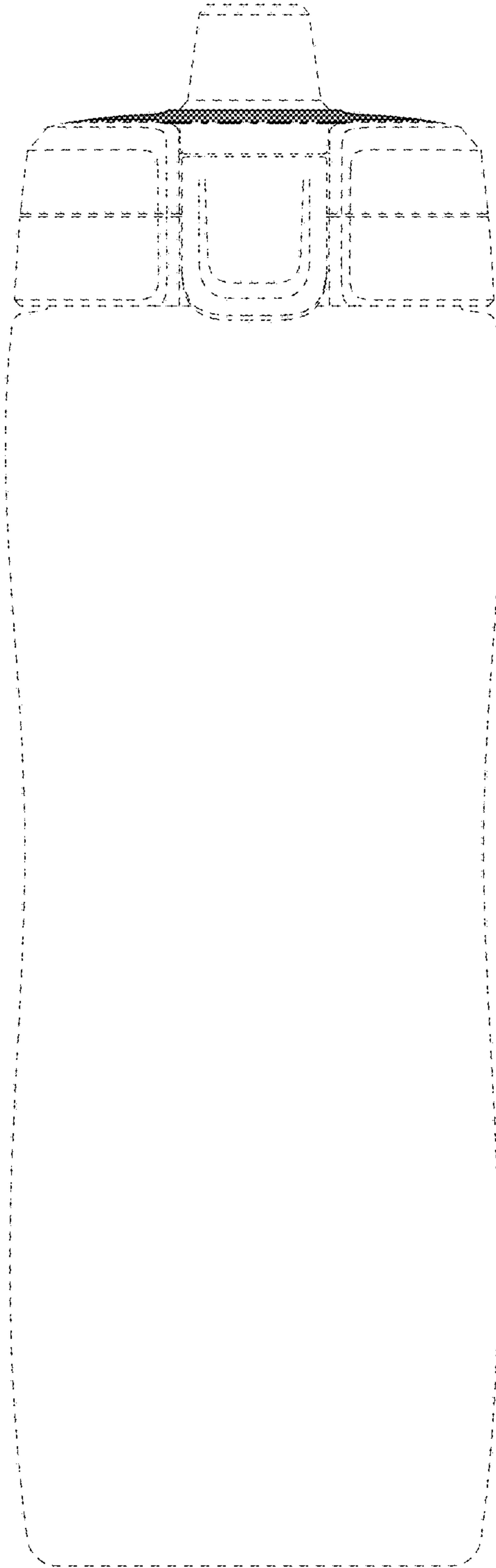


FIG. 3

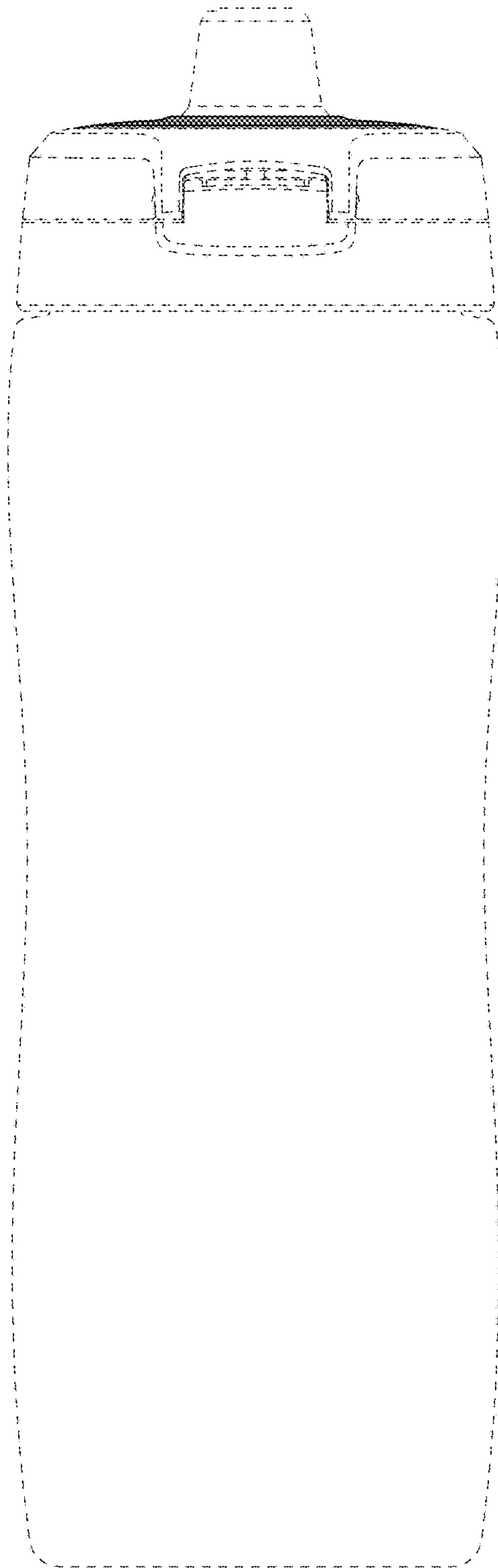


FIG. 4



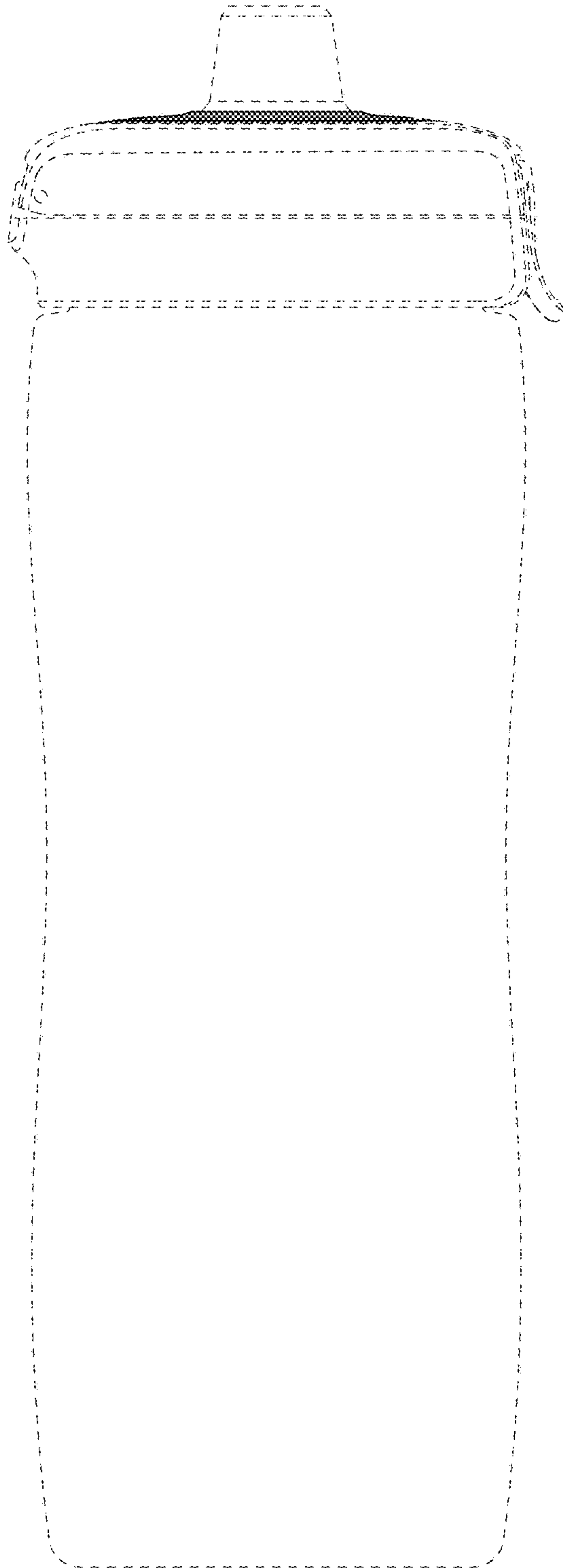


FIG. 5

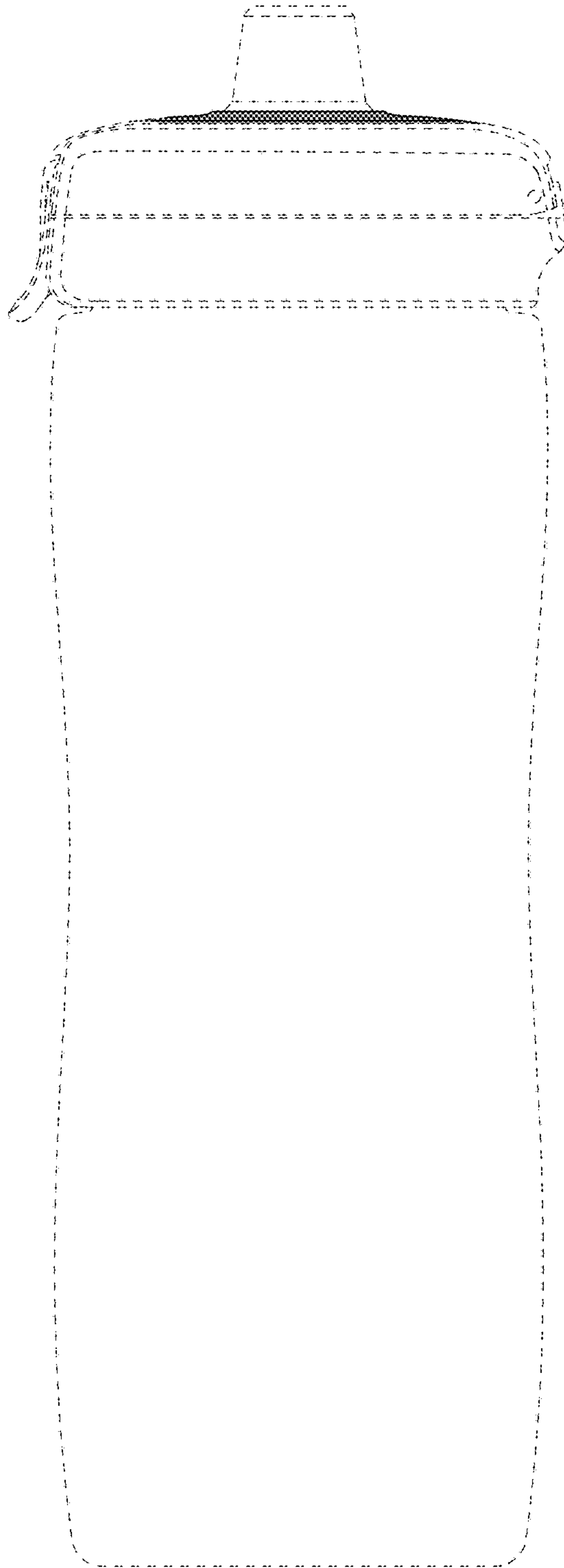


FIG. 6



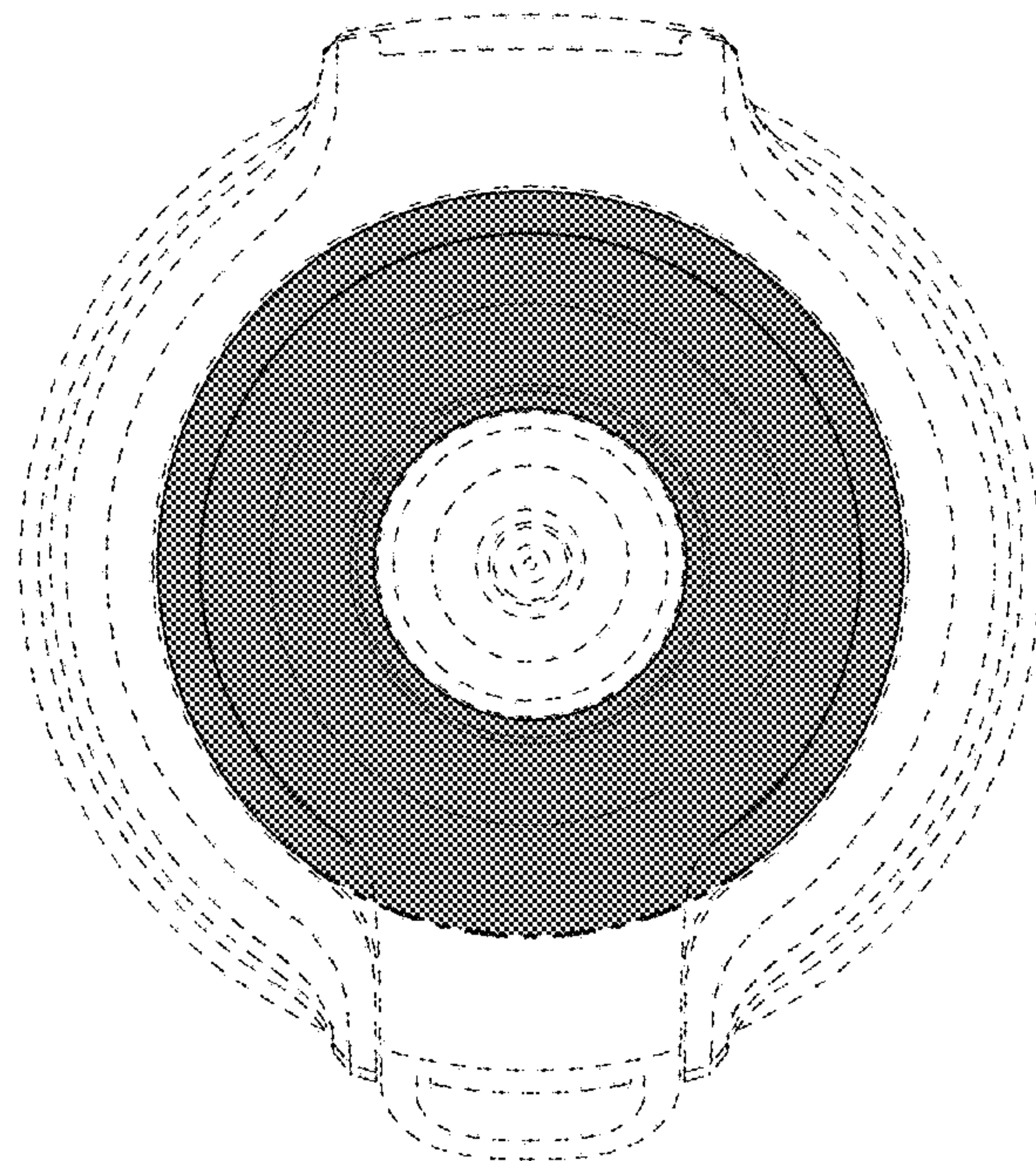
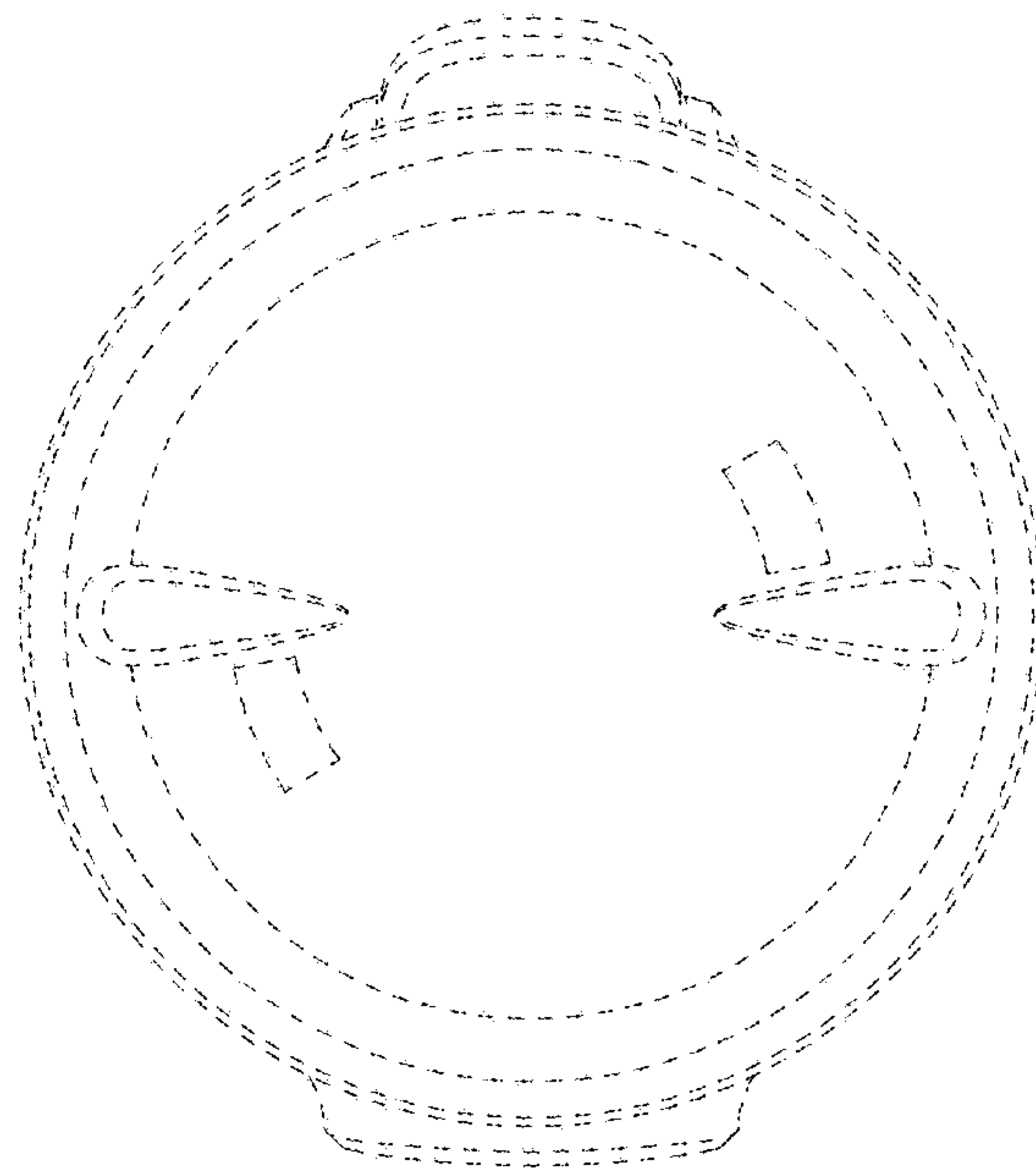


FIG. 7



**FIG. 8**

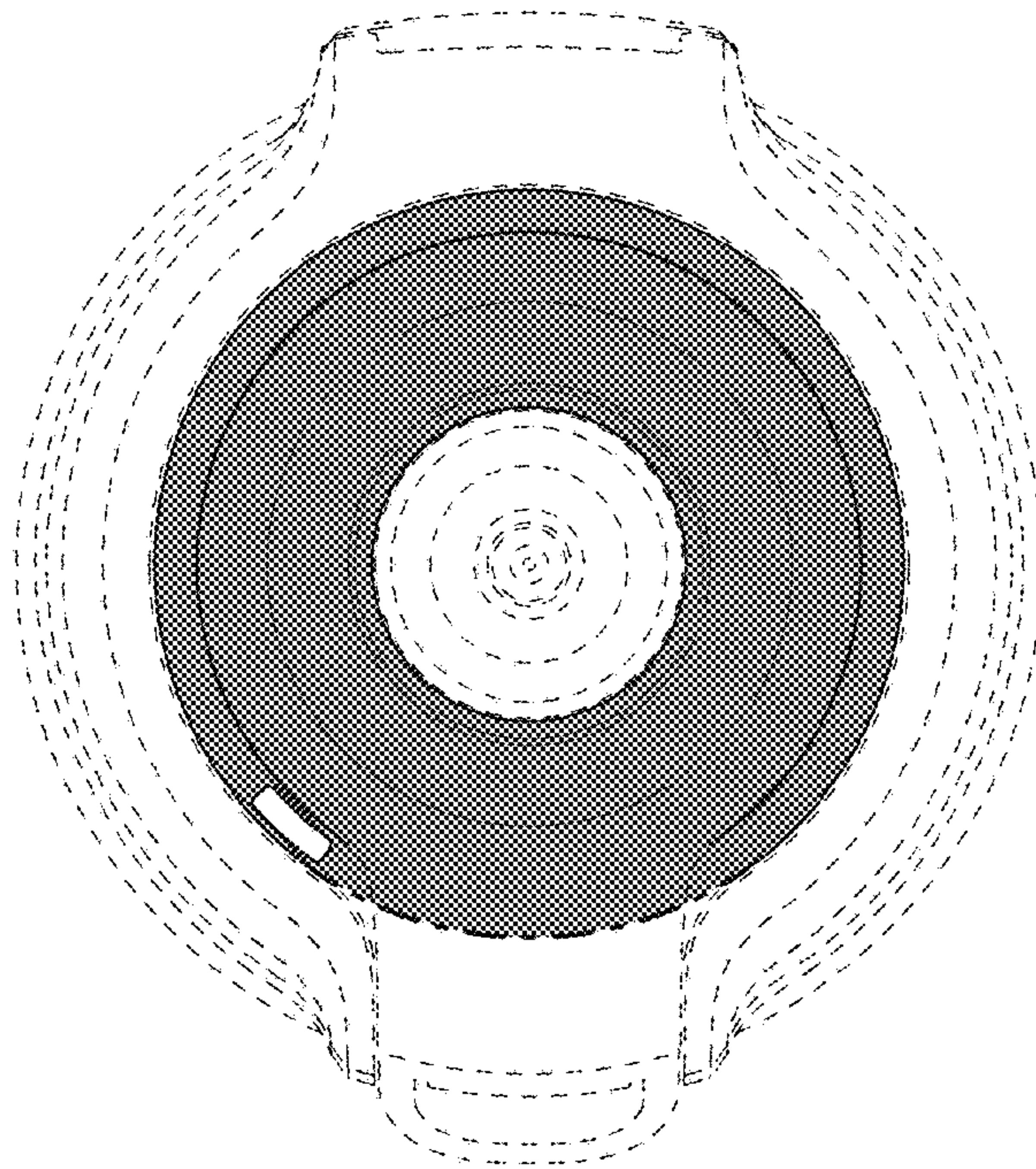


FIG. 9

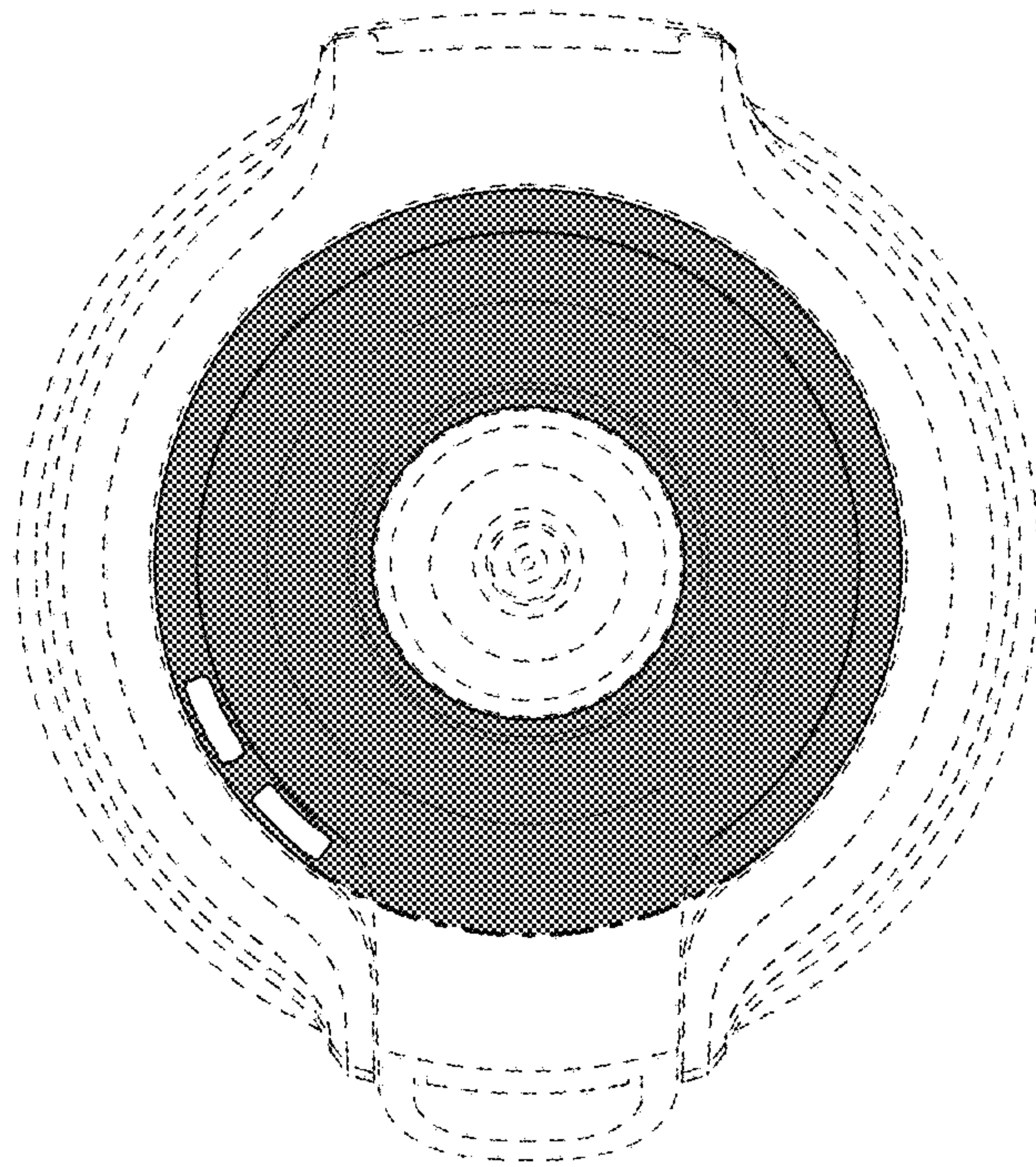
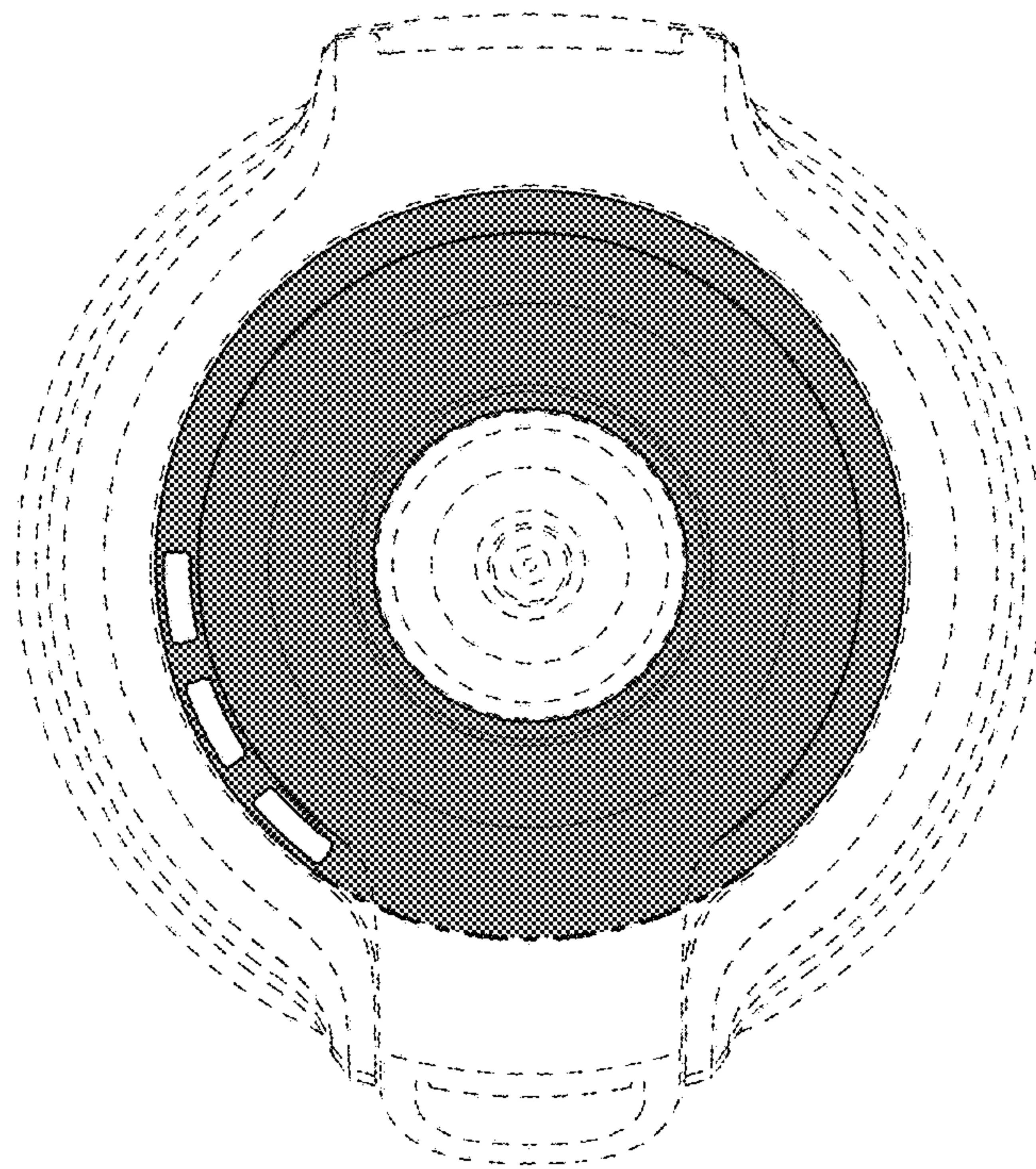
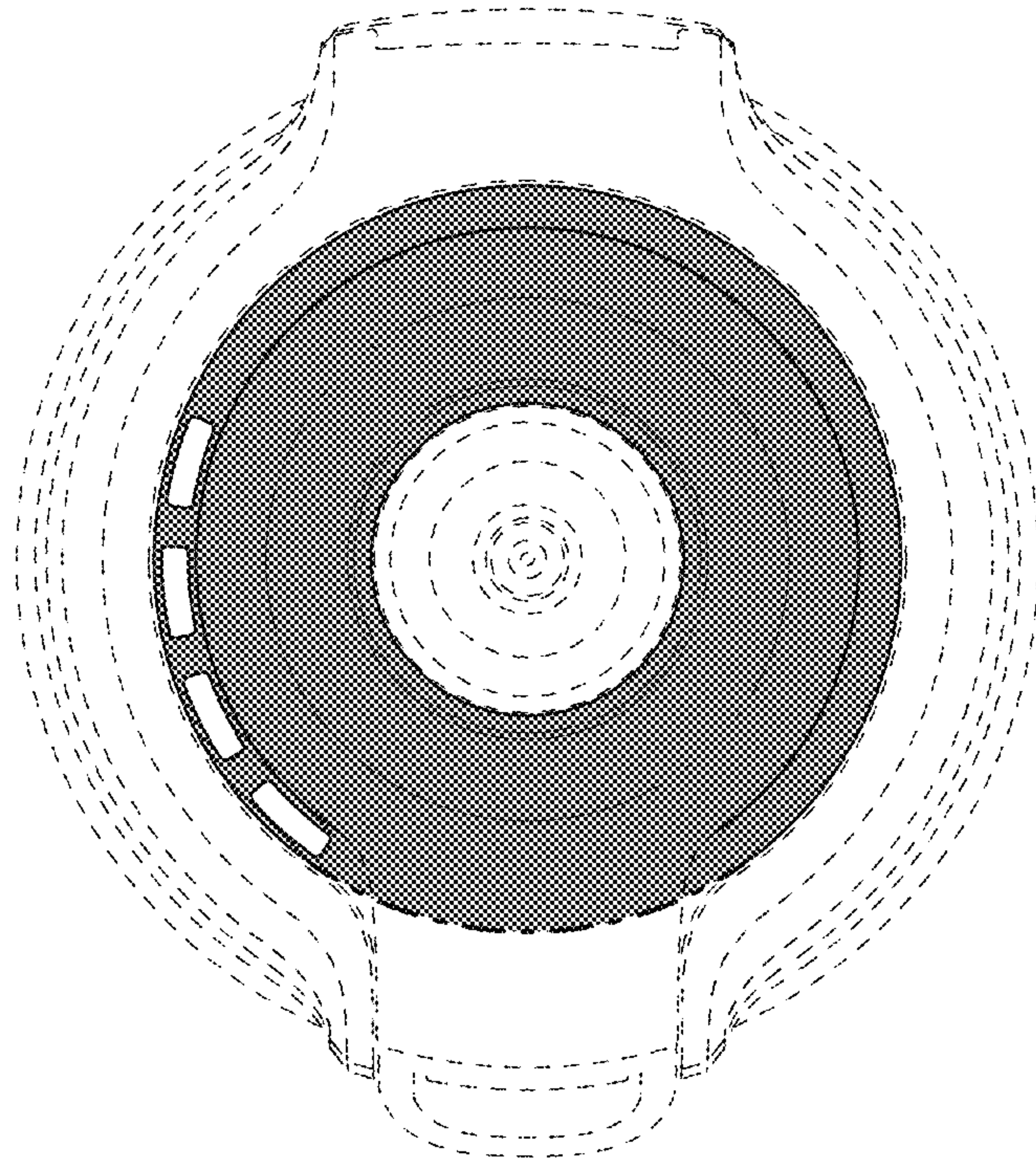


FIG. 10



**FIG. 11**



**FIG. 12**



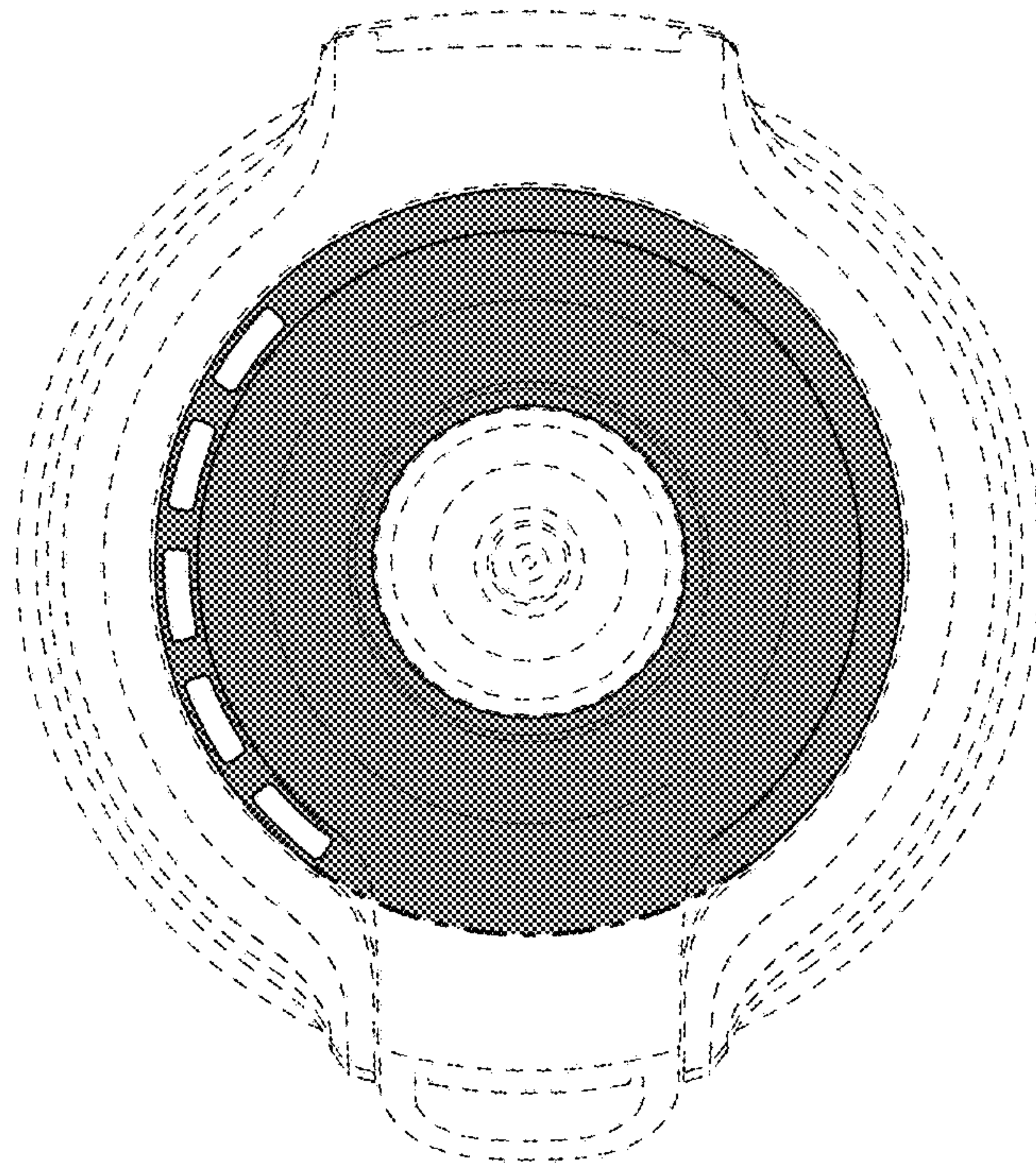


FIG. 13



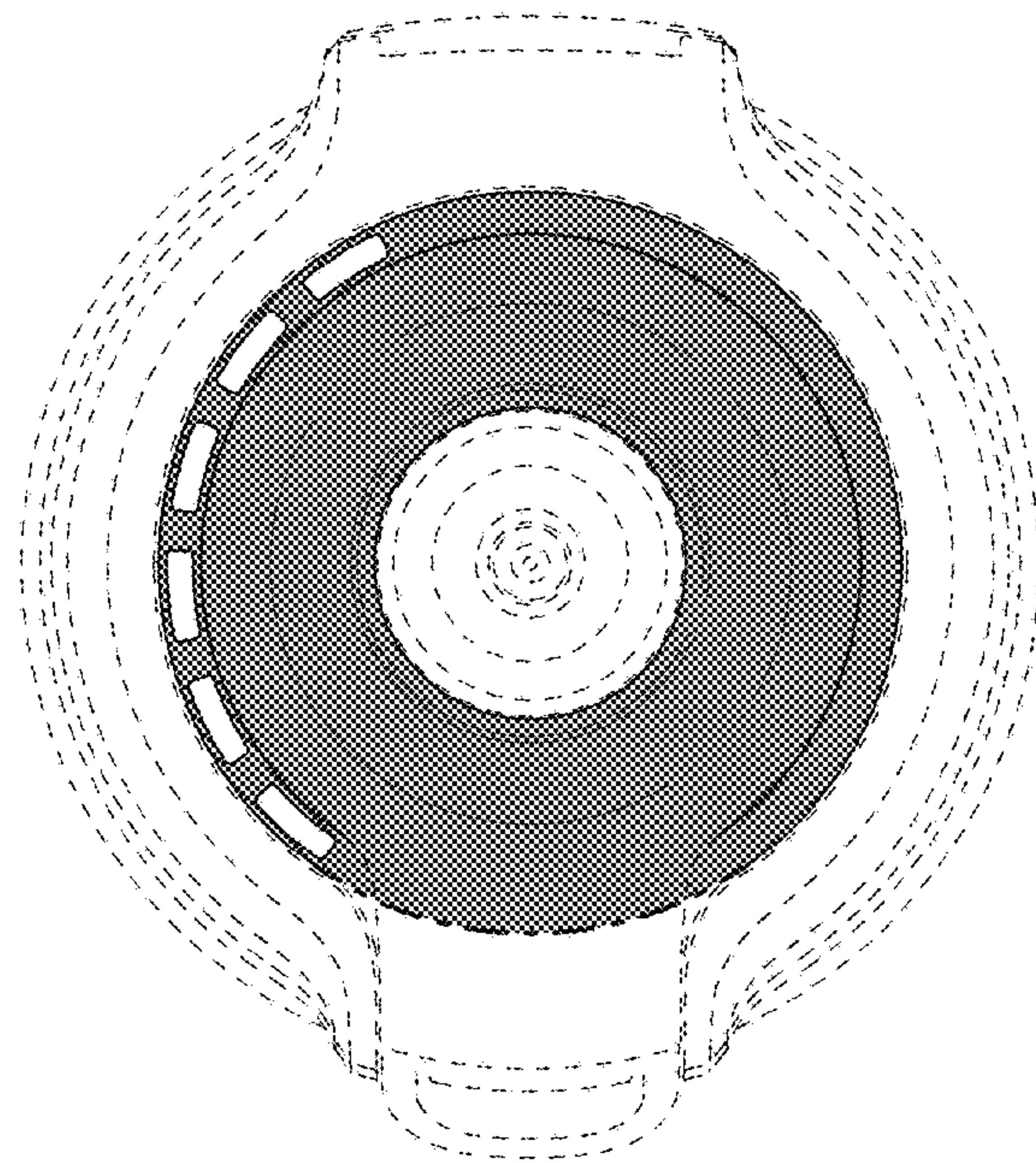


FIG. 14

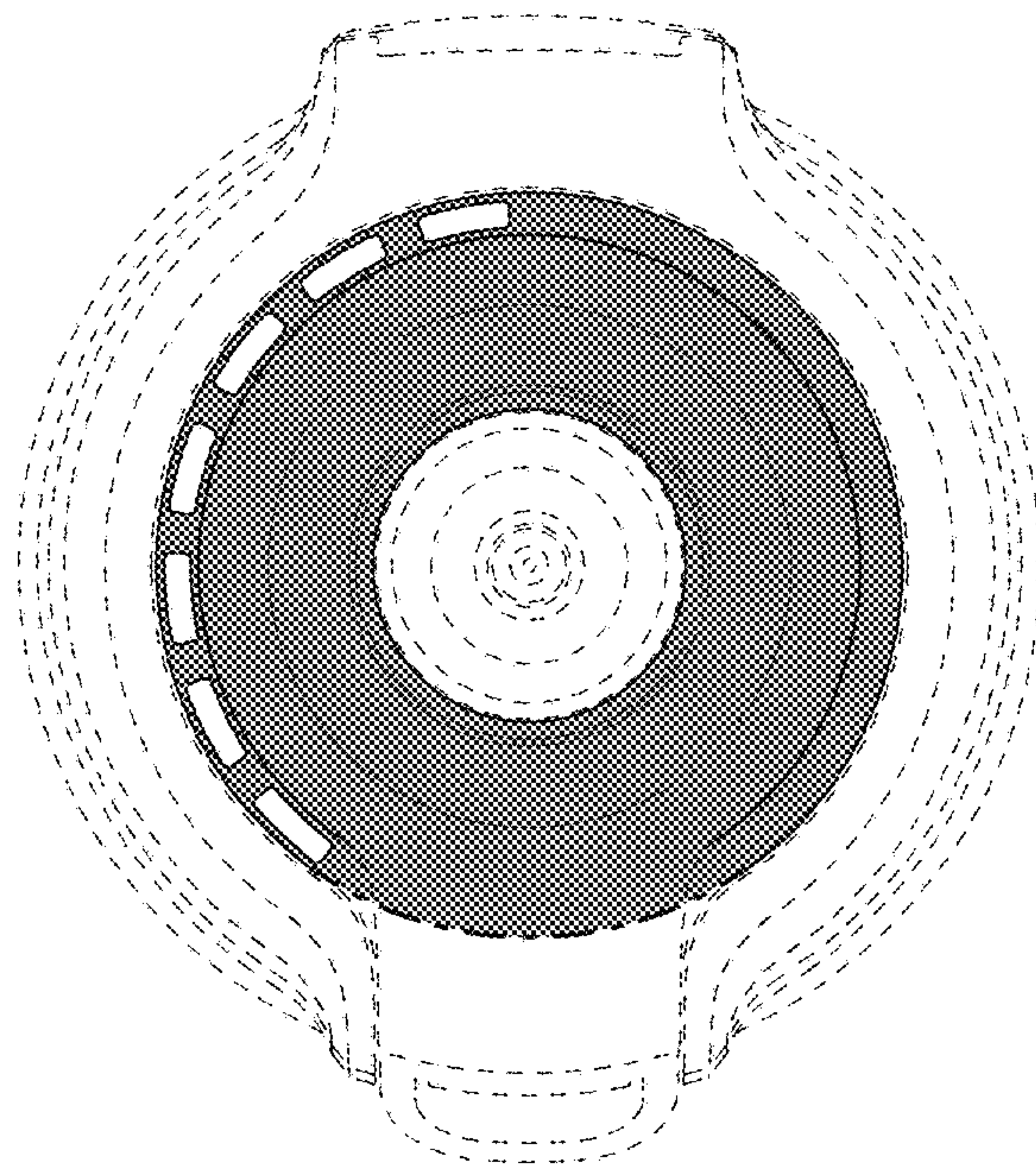


FIG. 15

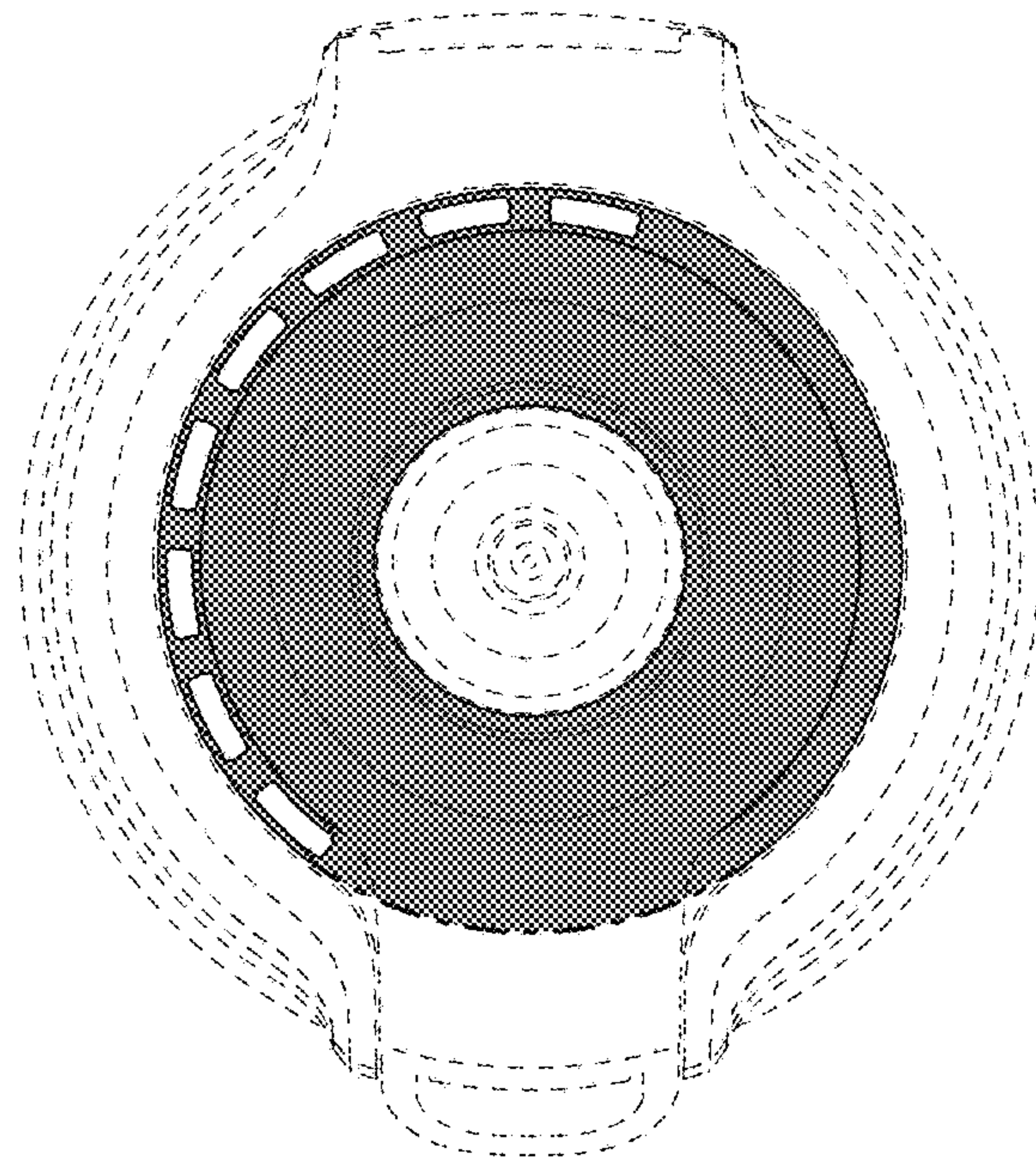


FIG. 16

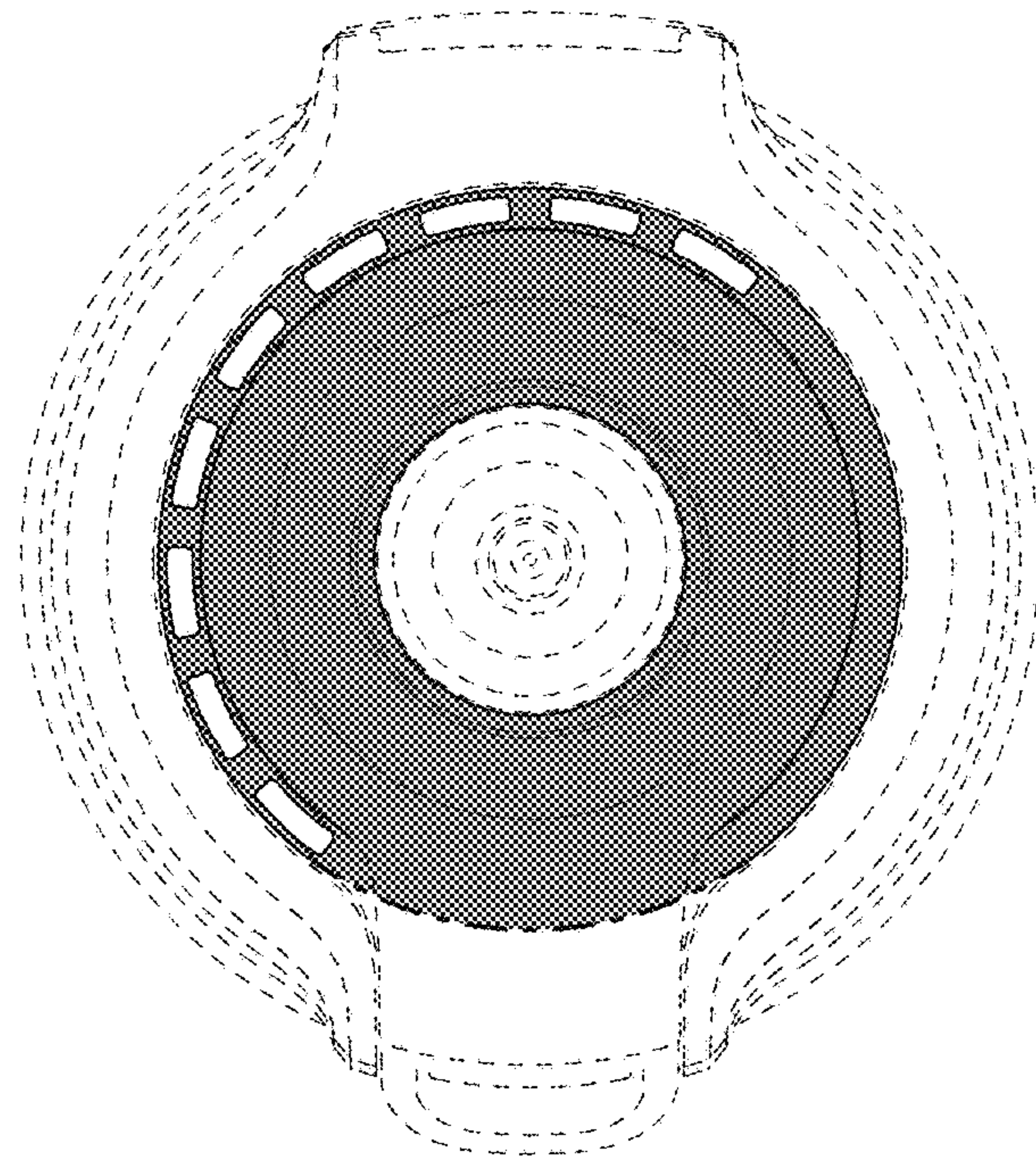


FIG. 17

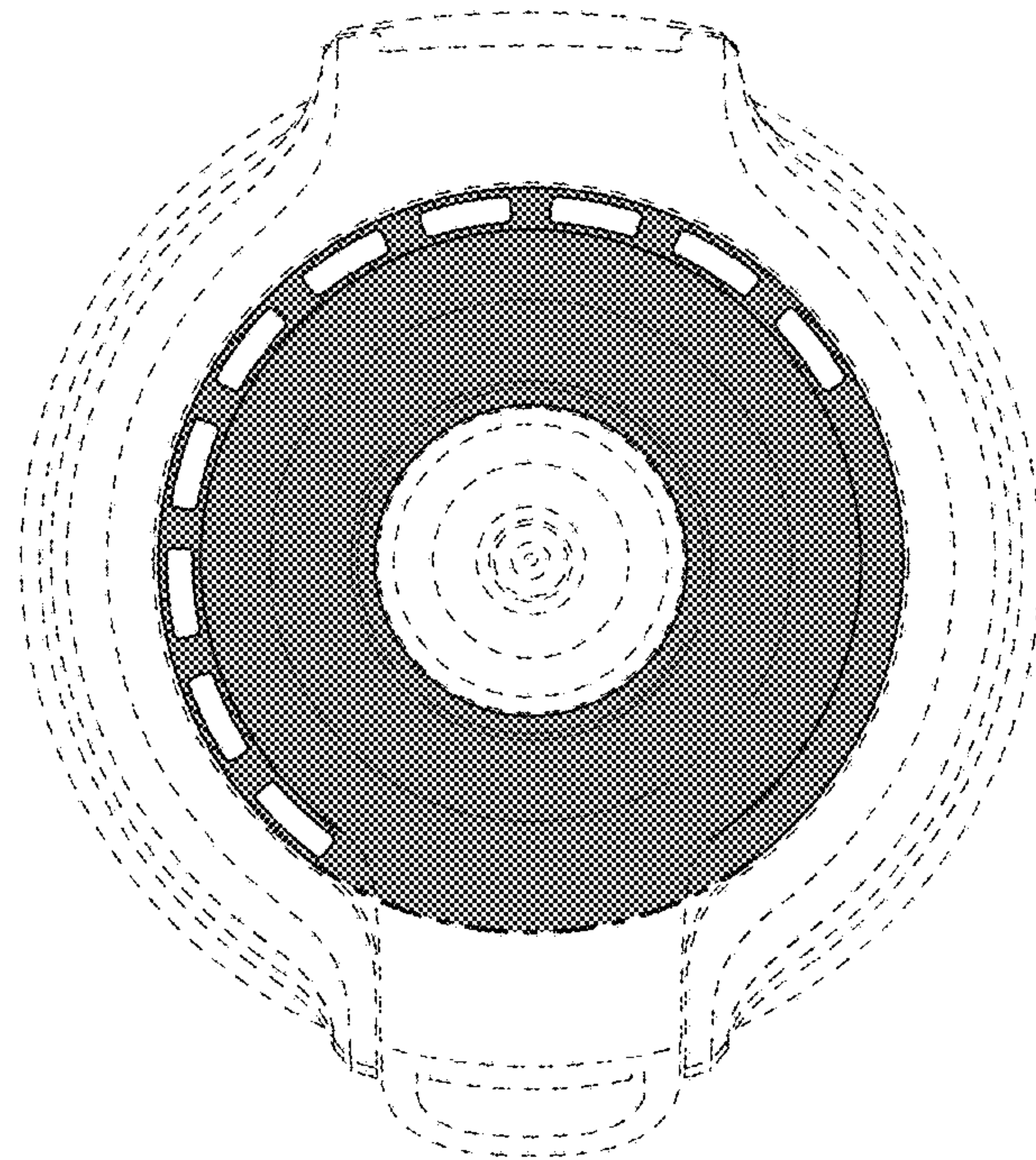


FIG. 18

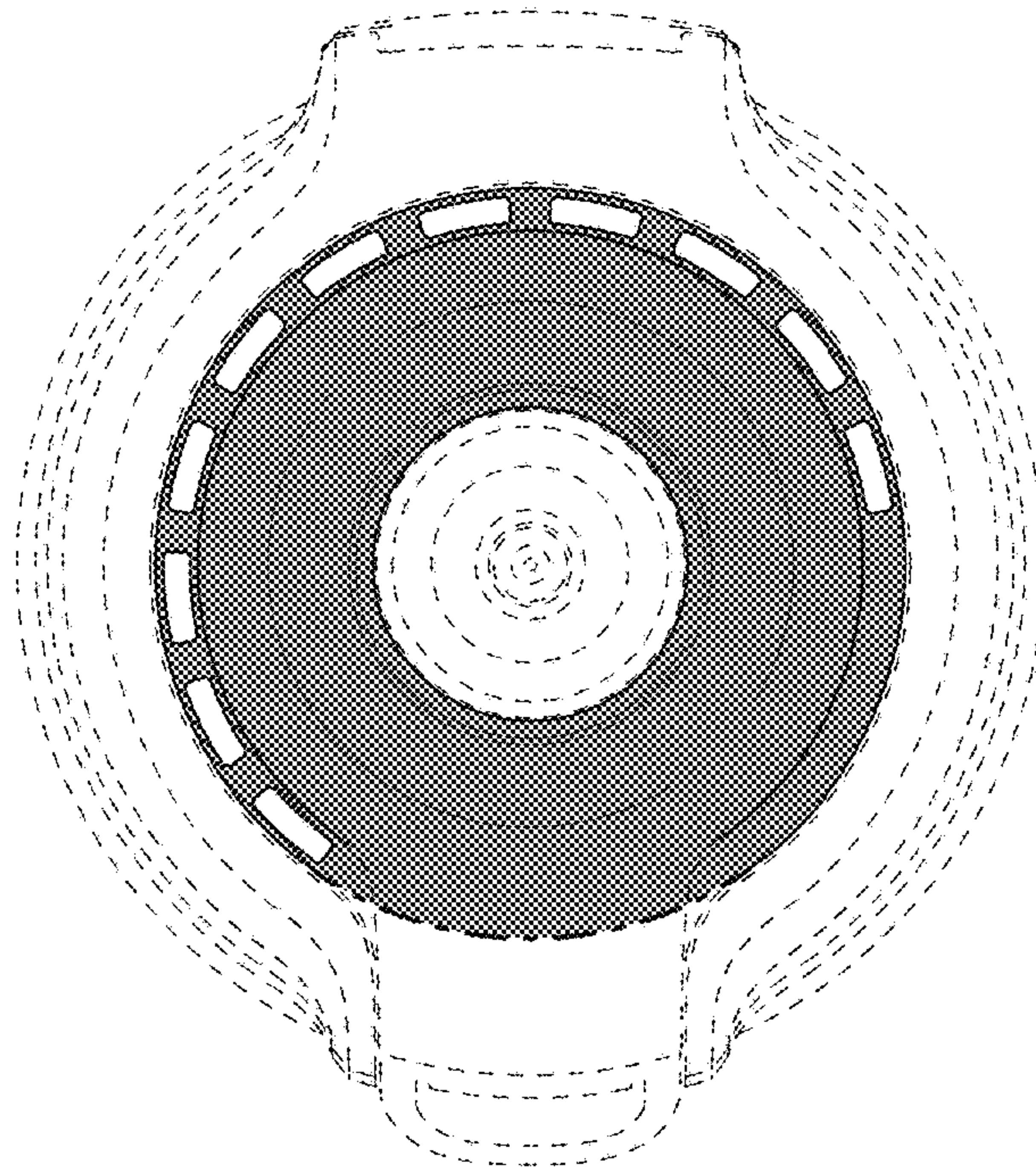


FIG. 19



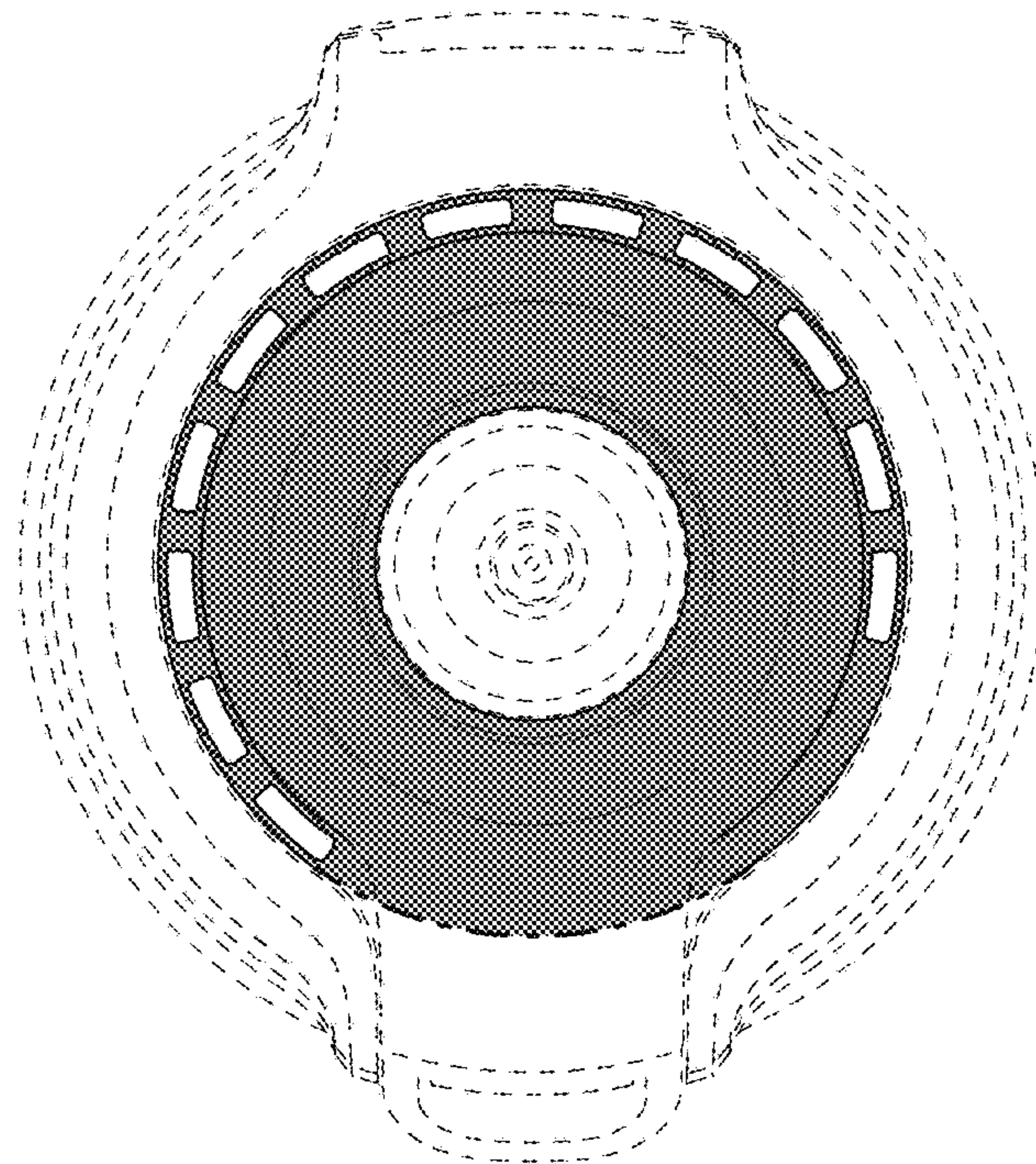


FIG. 20



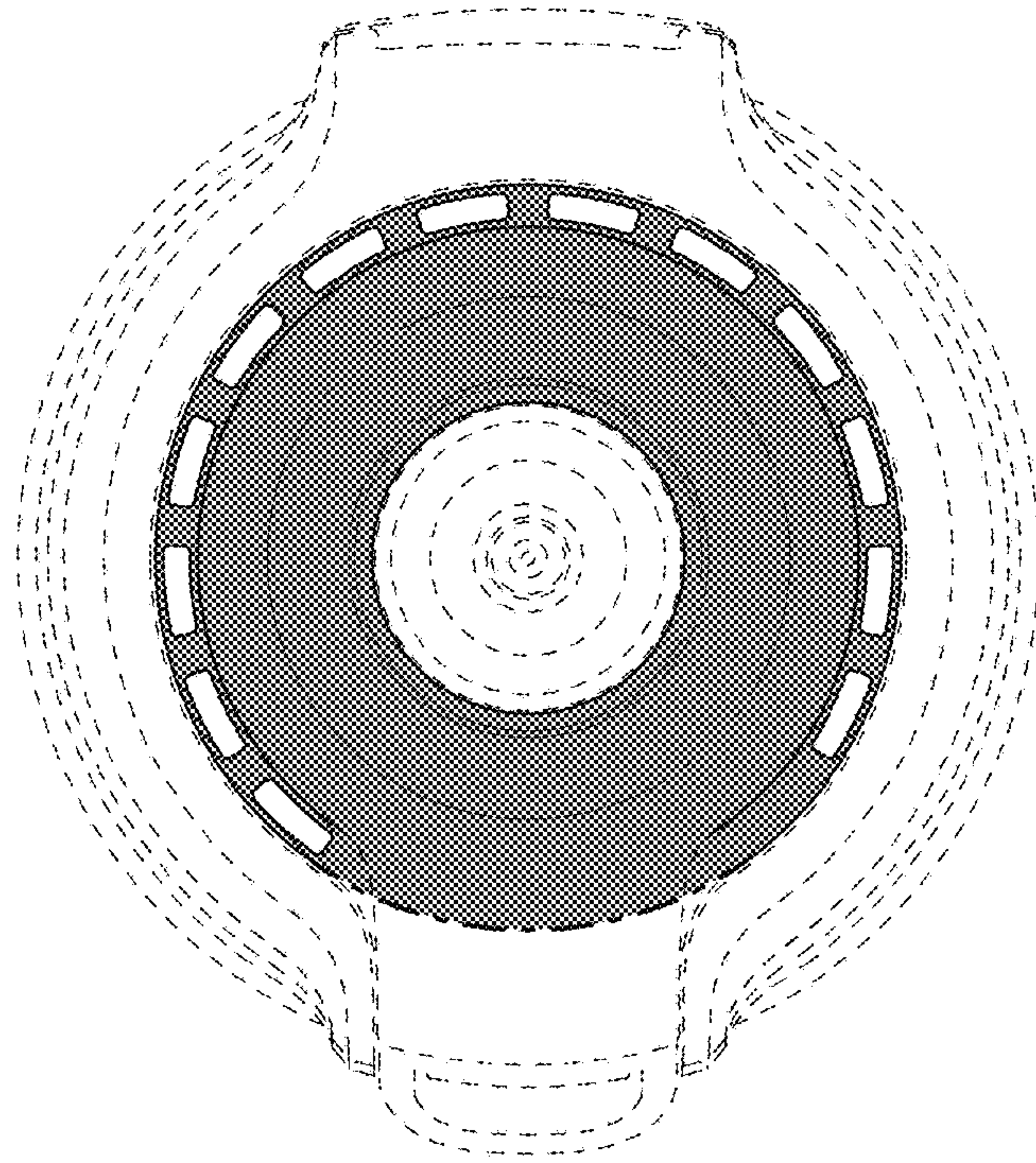


FIG. 21

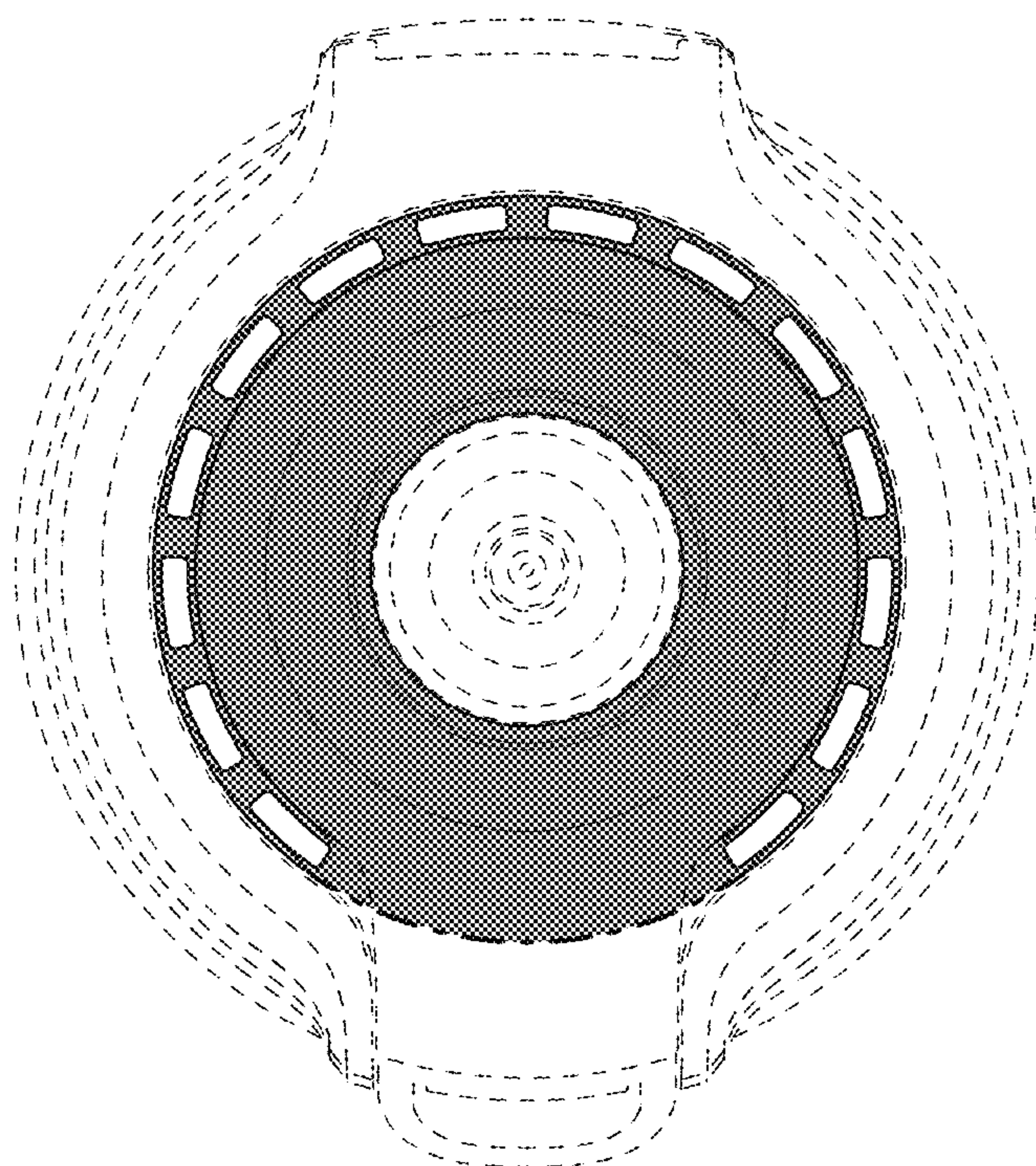


FIG. 22

UNITED STATES PATENT AND TRADEMARK OFFICE  
**CERTIFICATE OF CORRECTION**

PATENT NO. : D842,106 S  
APPLICATION NO. : 29/539288  
DATED : March 5, 2019  
INVENTOR(S) : Palin et al.

Page 1 of 1

It is certified that error appears in the above-identified patent and that said Letters Patent is hereby corrected as shown below:

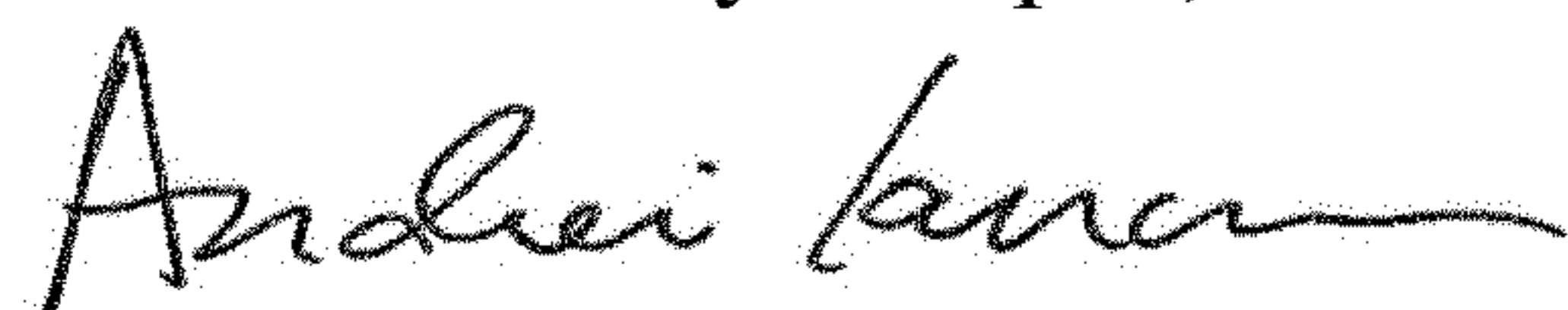
On the Title Page

In the Applicant Item (71), replace “PepsiCo, Inc” with --PepsiCo, Inc.--.

In the Attorney, Agent, or Firm Item (74), replace “Sterne, Kessler, Goldstein & Fox P.L.L.C” with --Sterne, Kessler, Goldstein & Fox P.L.L.C.--.

In the “Description” section, replace “The gray tone in the drawings is included to enable the depiction of areas emitting light and otherwise forms no part of the claimed design.” with --The Figures are illustrated to show contrasting appearance. The gray-shaded portions of the bottle have one appearance and the non-shaded claimed portions have a different appearance.--.

Signed and Sealed this  
Thirtieth Day of April, 2019



Andrei Iancu  
*Director of the United States Patent and Trademark Office*